

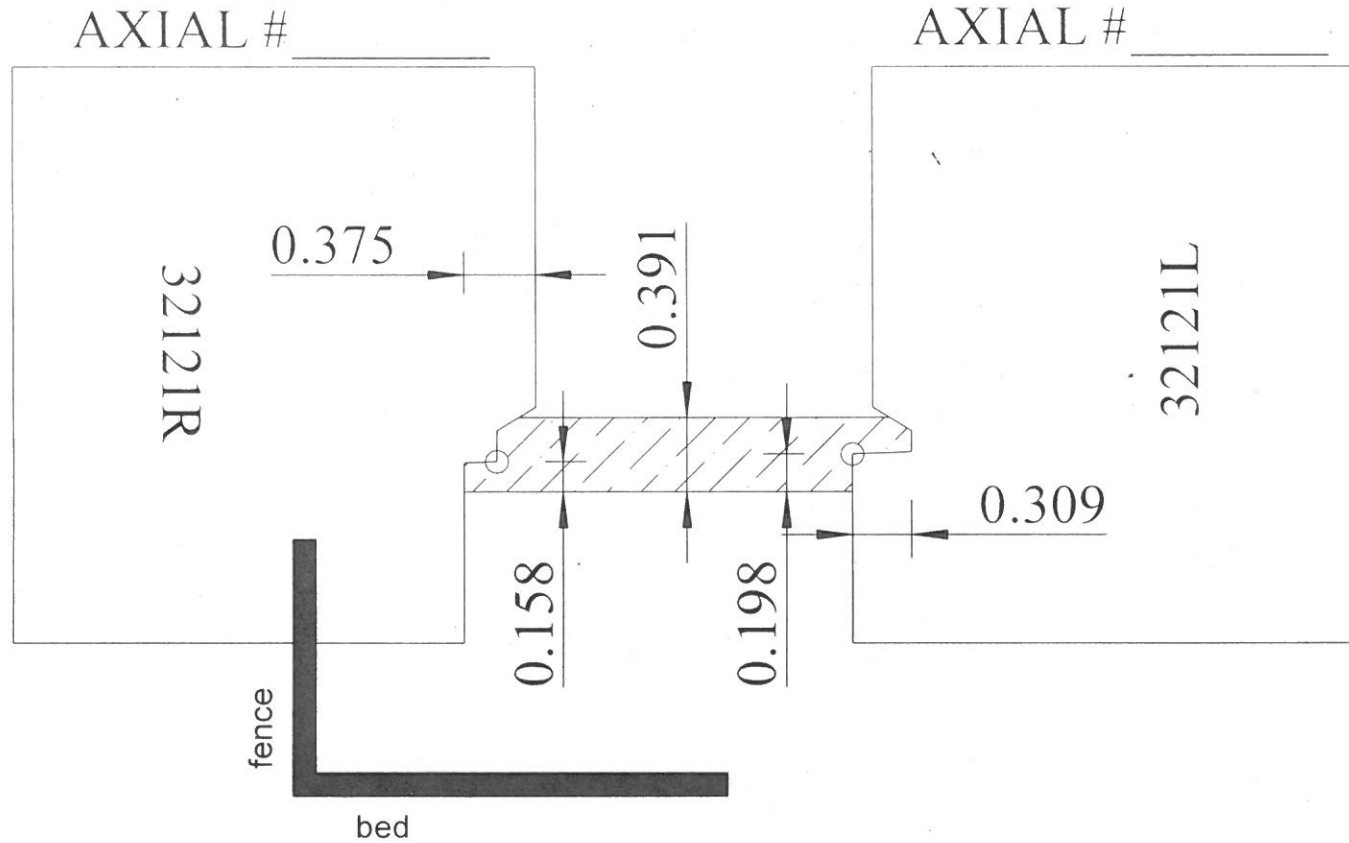


Services Requested & Material Selection
(circle all that apply)

	Finished	Rough
M3+HSS	Double-Back	Supre
TCT Inlaid	Insert	SRS



A-72



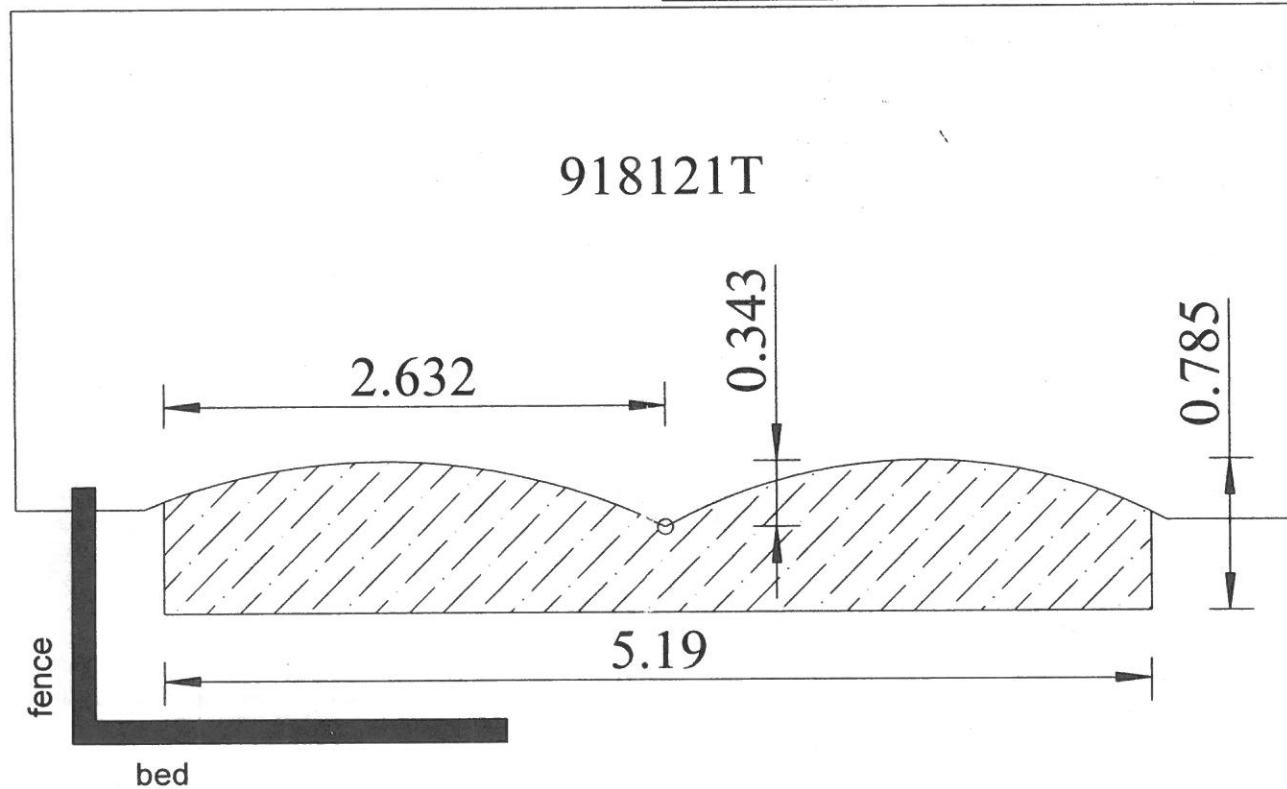


Services Requested & Material Selection
(circle all that apply)

	Finished	Rough
M3+HSS	Double-Back	Supre
TCT Inlaid	Insert	SRS

A-84

AXIAL # .395



Michael Weing, Inc
124 Crosslake Park Drive
Mooreville, NC 28117

Sign for approval or make changes: X
DRAWN BY: Jason Lloyd

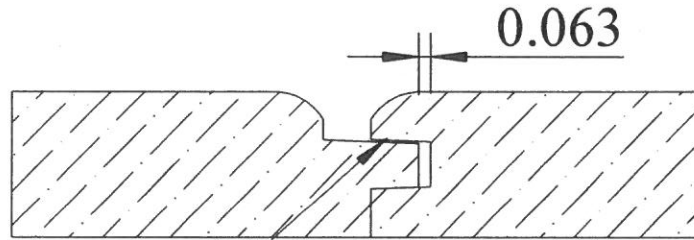
Thank you



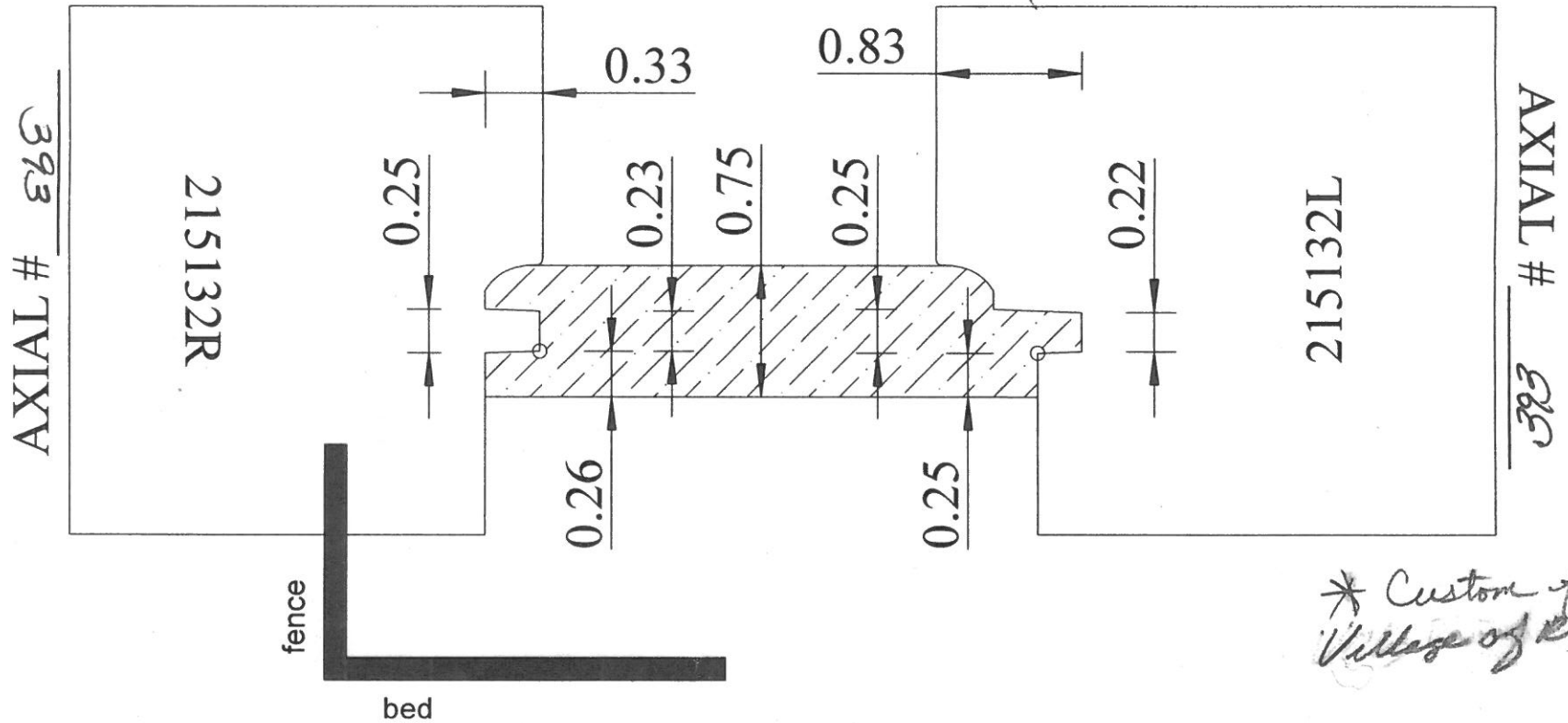
Services Requested & Material Selection
(circle all that apply)

	Finished	Rough
M3+HSS	Double-Back	Supre
TCT Inlaid	Insert	SRS

B-79



.010 Tolerance



** Custom for the Village of River Hill*

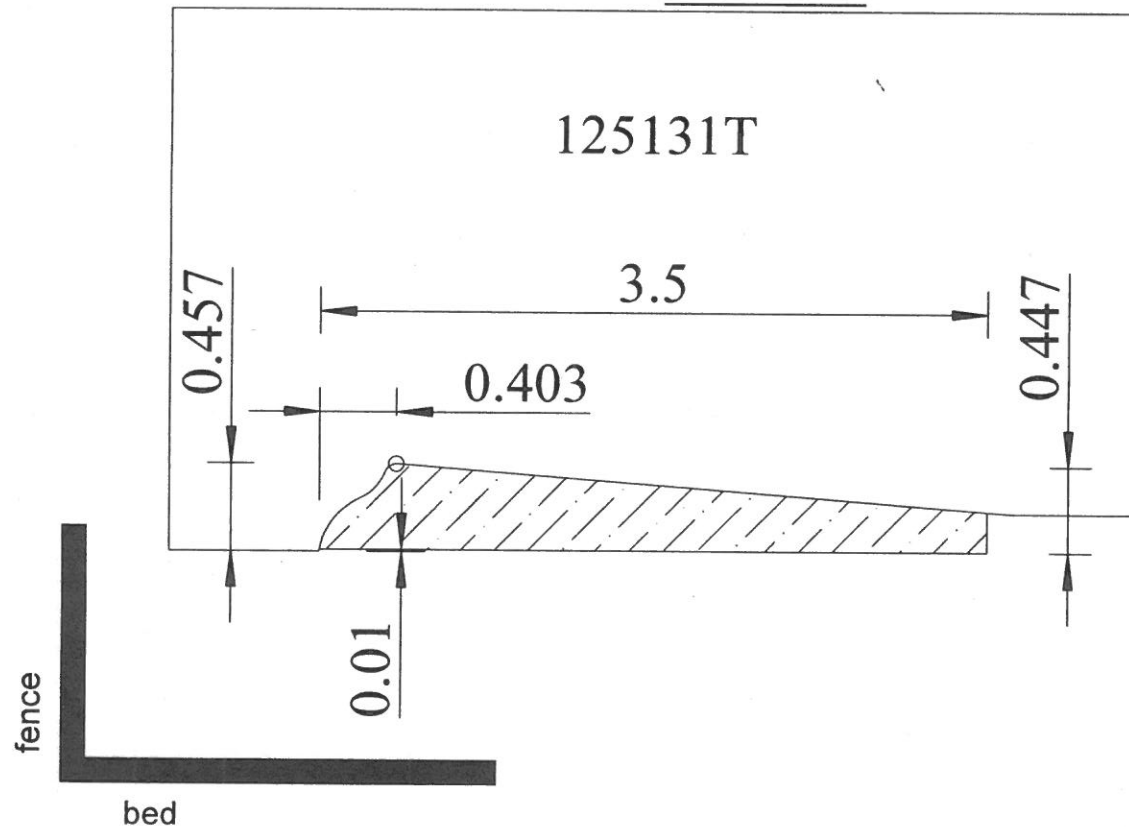


Services Requested & Material Selection
(circle all that apply)

	Finished	Rough
M3+HSS	Double-Back	Supre
TCT Inlaid	Insert	SRS

B-83

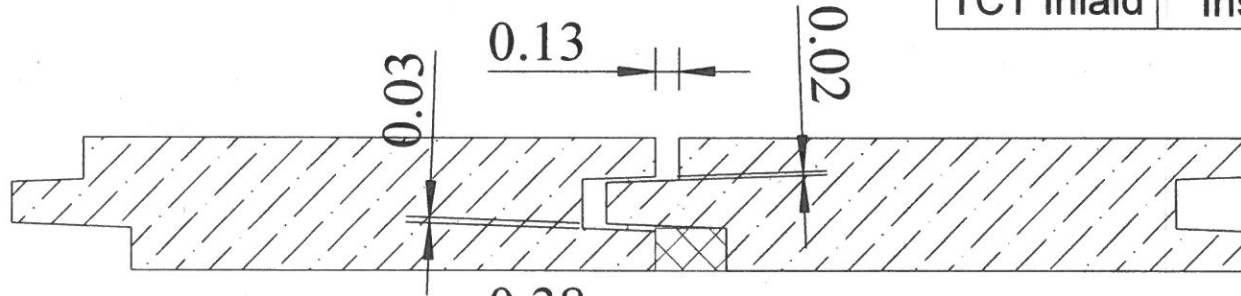
AXIAL # -394



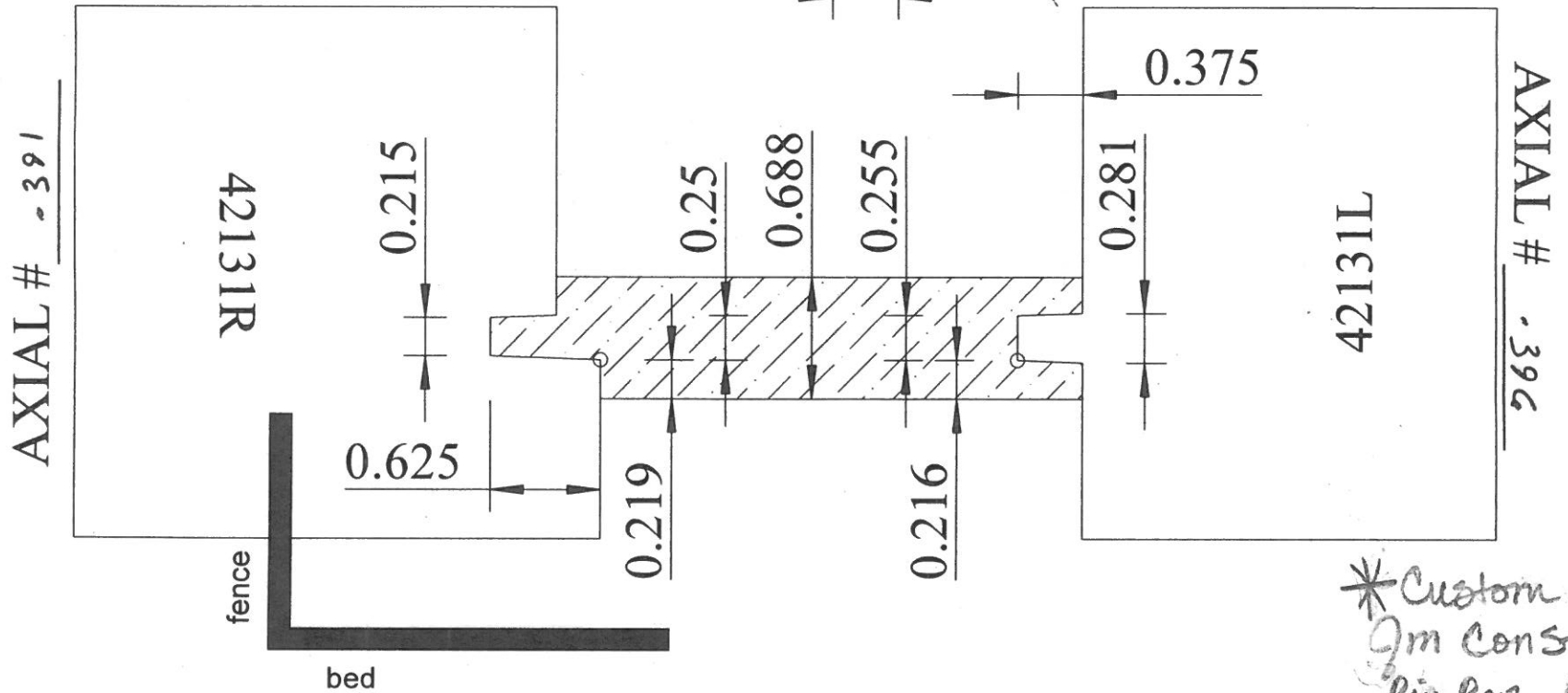


Services Requested & Material Selection
(circle all that apply)

	Finished	Rough
M3+HSS	Double-Back	Supre
TCT Inlaid	Insert	SRS



B-84



**Custom for
Qm Construction
Riv. Ren. project*

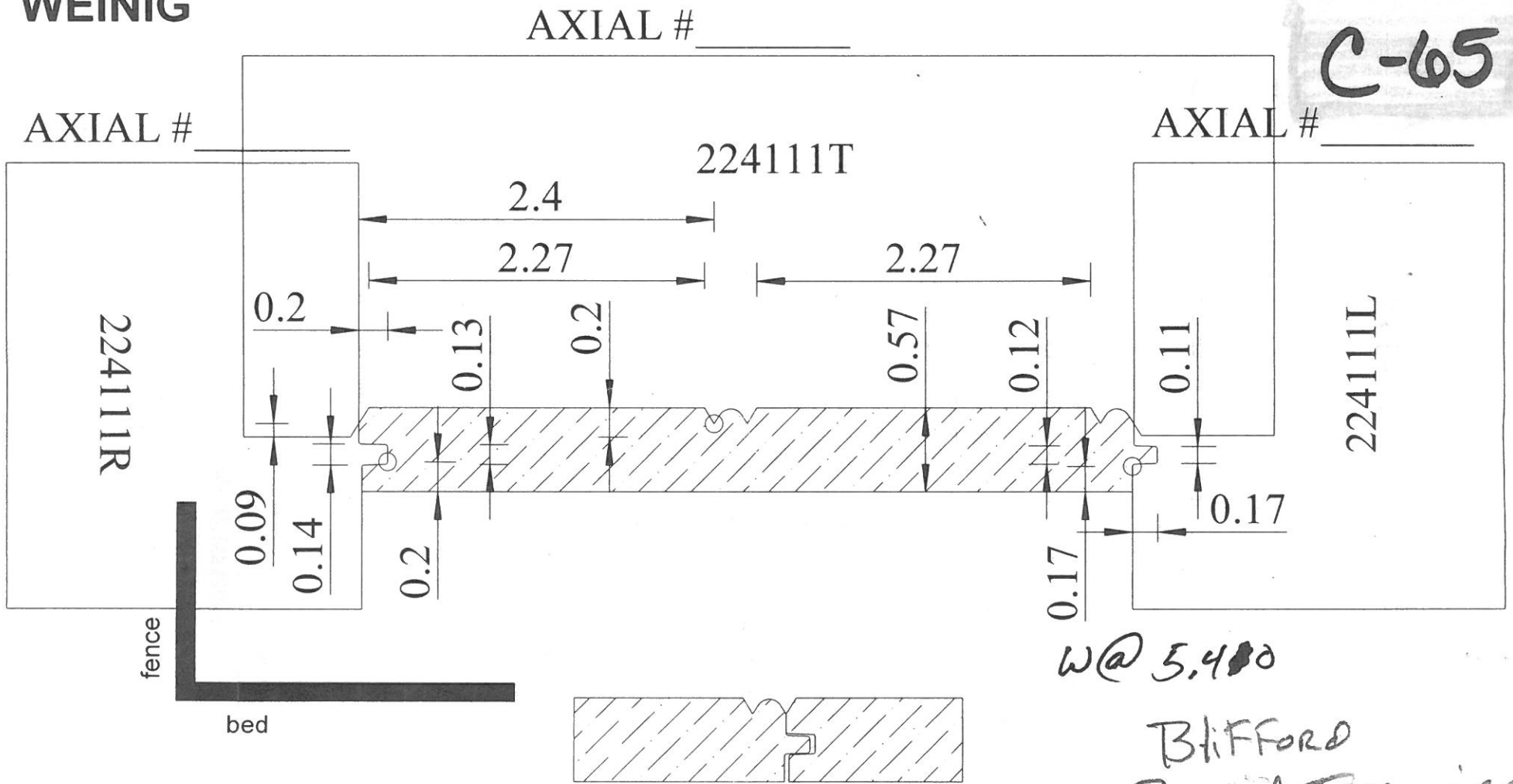


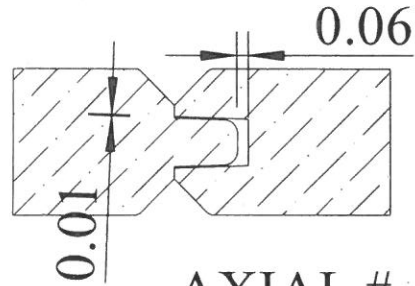
Grid # C-65

Services Requested & Material Selection
(circle all that apply)

	Finished	Rough
M3+HSS	Double-Back	Supre
TCT Inlaid	Insert	SRS

C-65



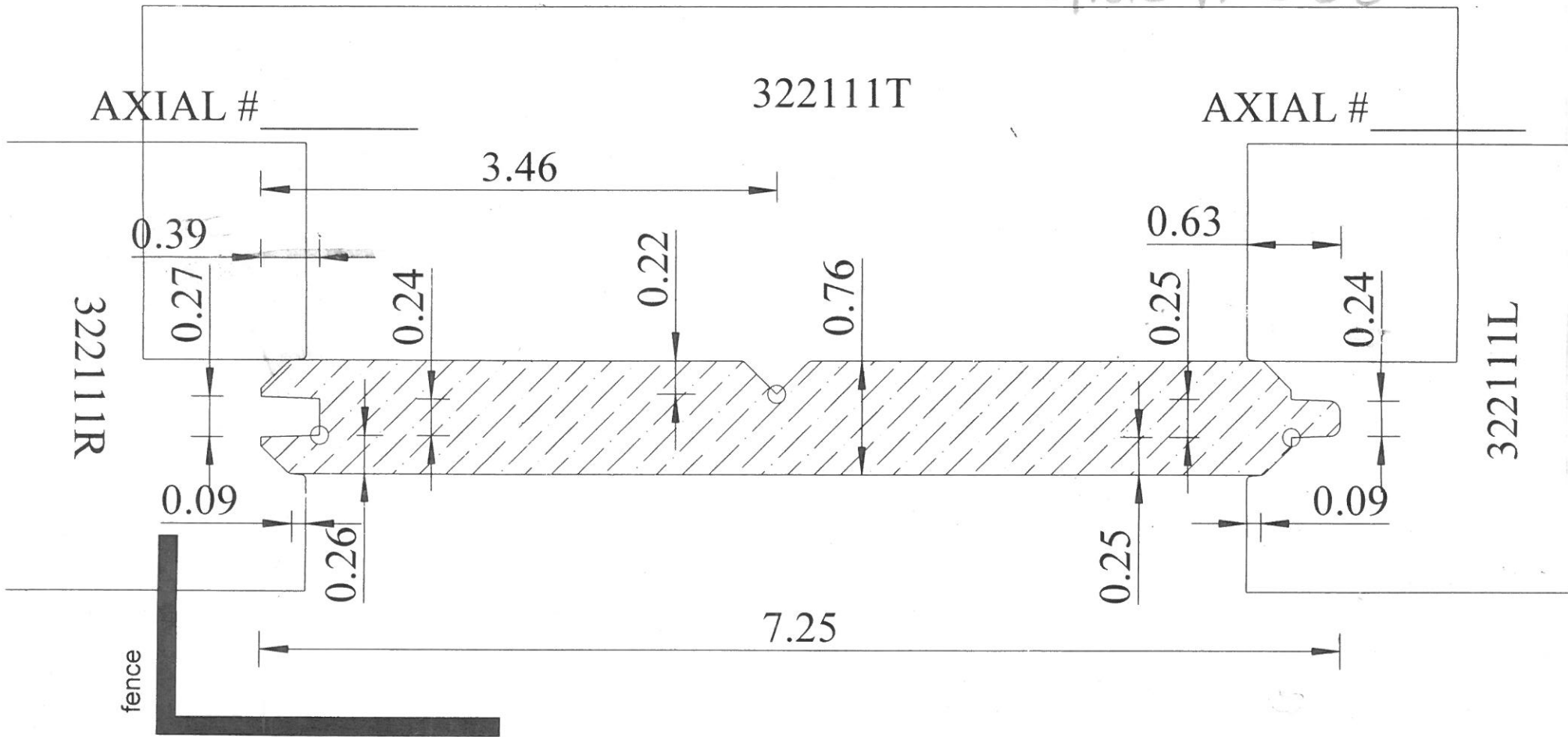


AXIAL # _____

GRID # C68

Services Requested & Material Selection
(circle all that apply)

	Finished	Rough
M3+HSS	Double-Back	Supre
TCT Inlaid	Insert	SRS



Michael Weing, Inc
124 Crosslake Park Drive
Mooresville, NC 28117

Sign for approval or make changes: X _____

DRAWN BY: Jason Lloyd

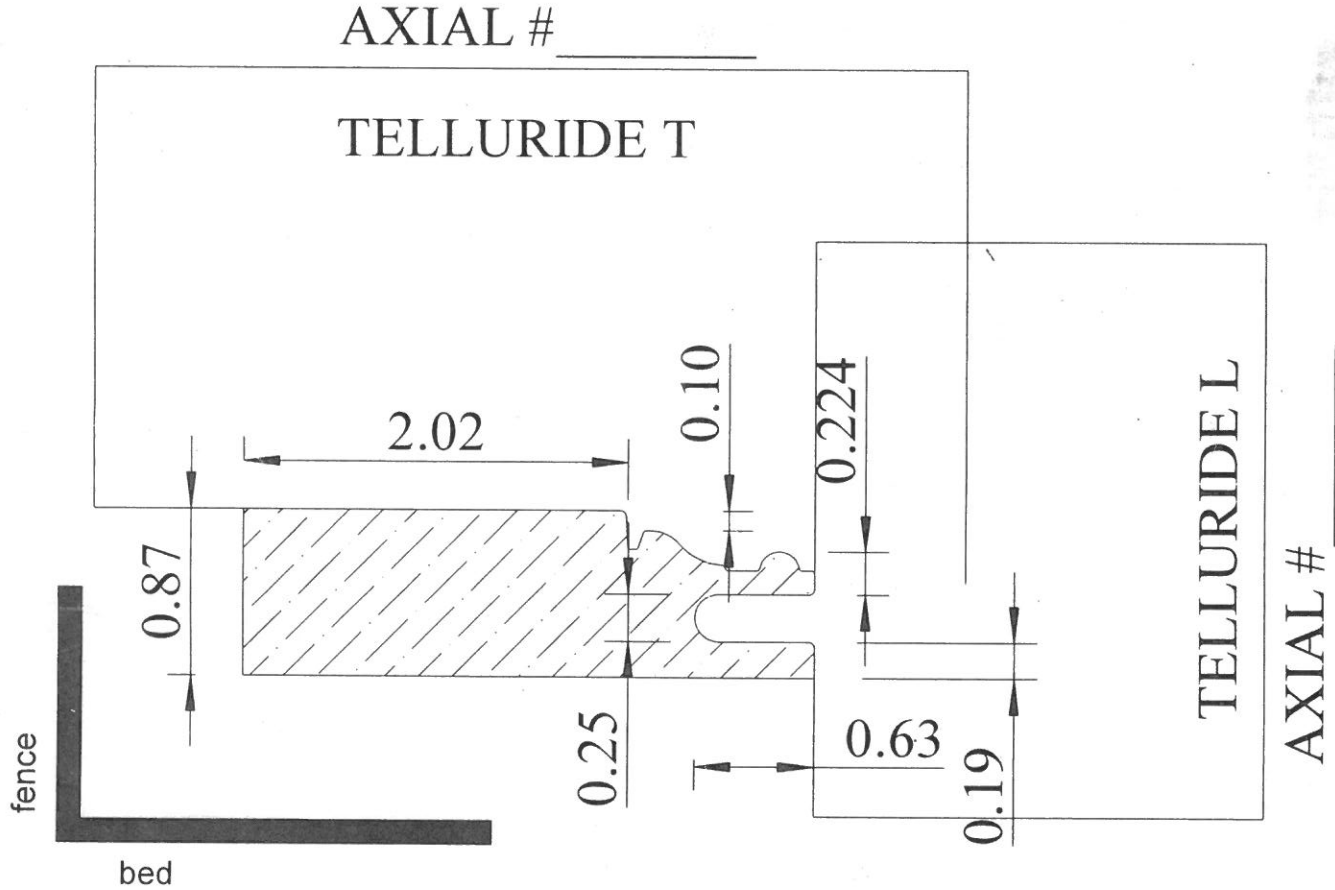
Thank you

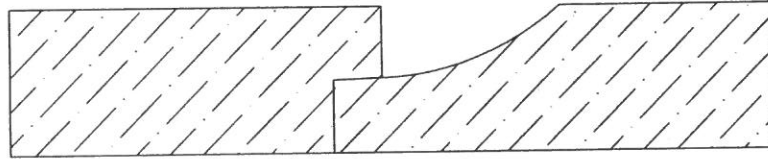


Services Requested & Material Selection
(circle all that apply)

	Finished	Rough
M3+HSS	Double-Back	Supre
TCT Inlaid	Insert	SRS

C78



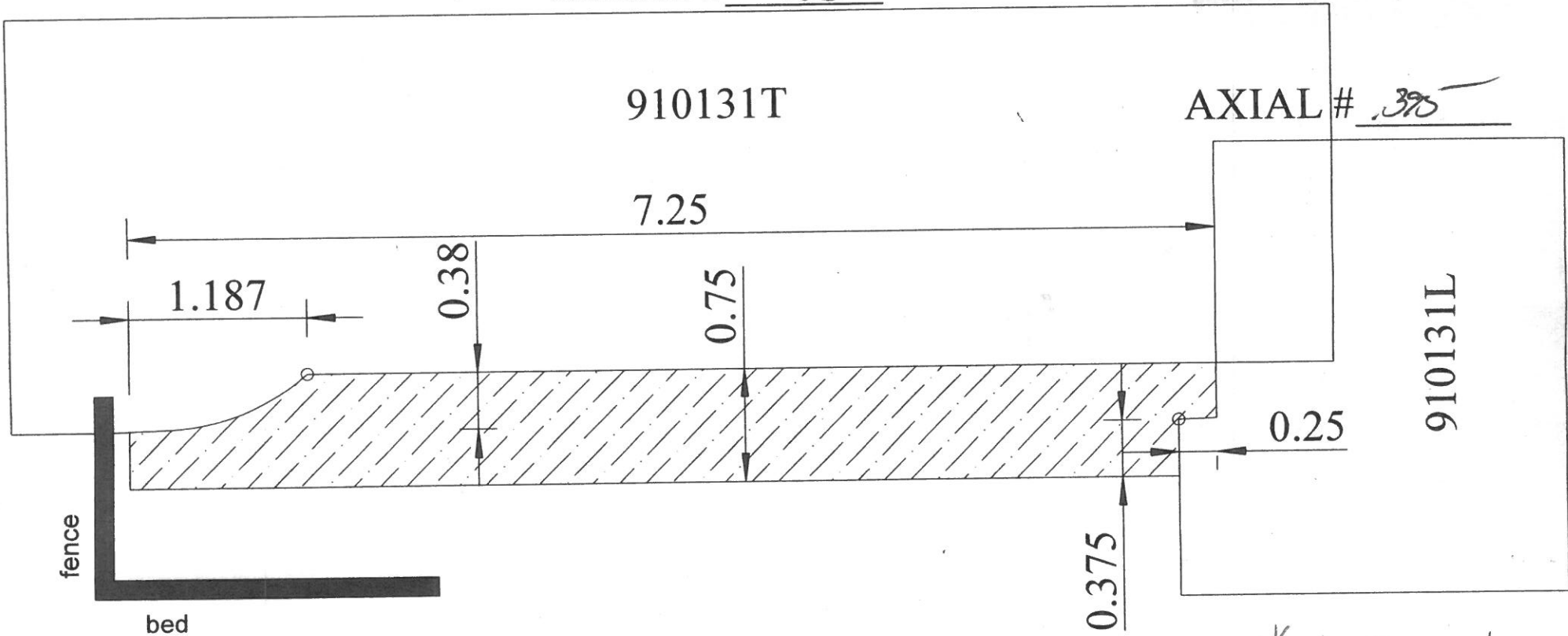


Services Requested & Material Selection
(circle all that apply)

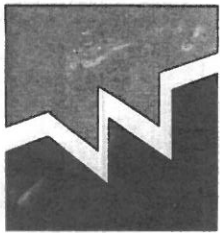
	Finished	Rough
M3+HSS	Double-Back	Supre
TCT Inlaid	Insert	SRS

C-82

AXIAL # EBE



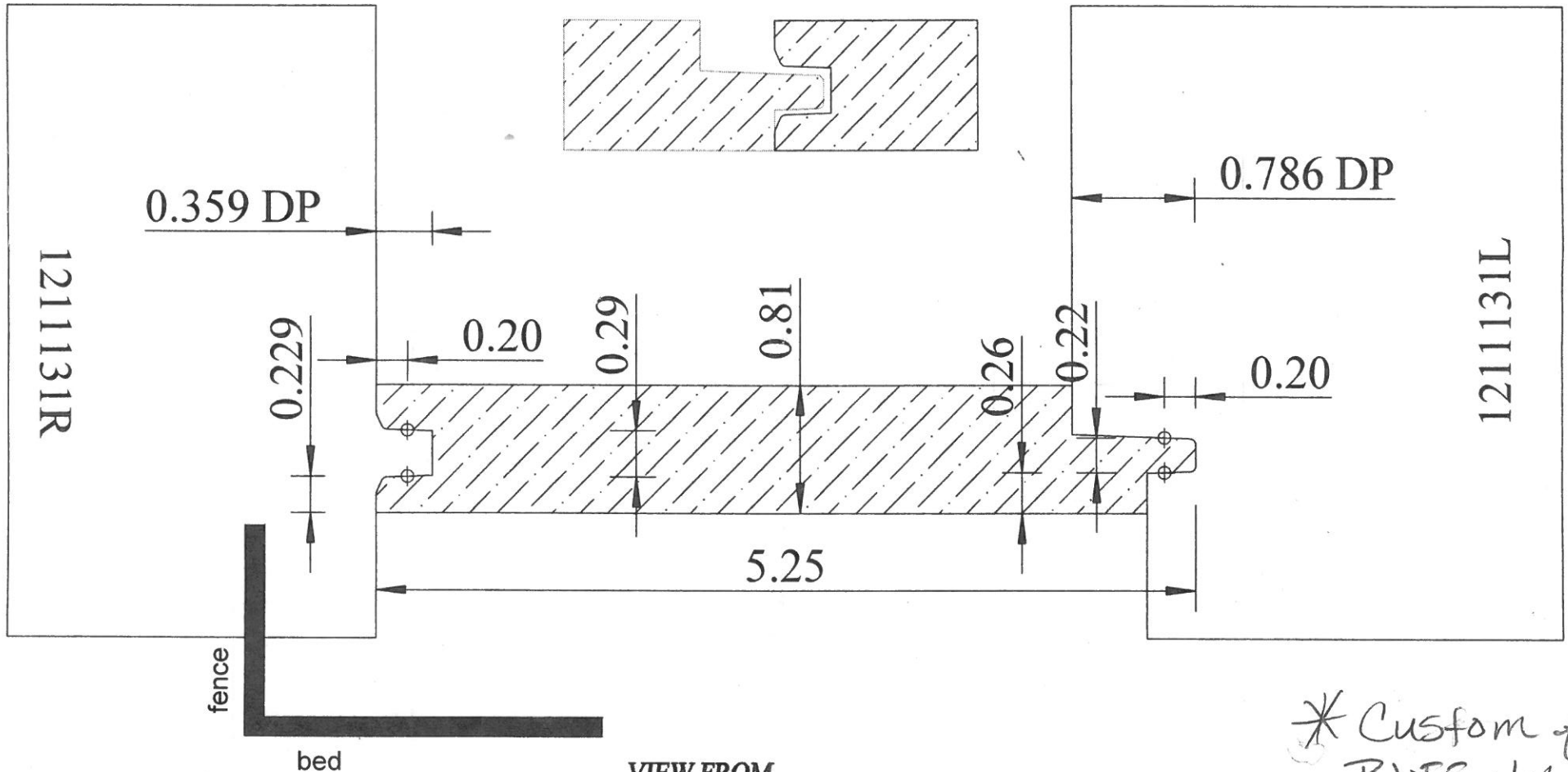
* Custom for
SOL-ARC



WEINIG

	KNIFE MATERIAL	
M2 5/16"	M3+ HSS	SUPRE-18

C-91



VIEW FROM
OUTFEED

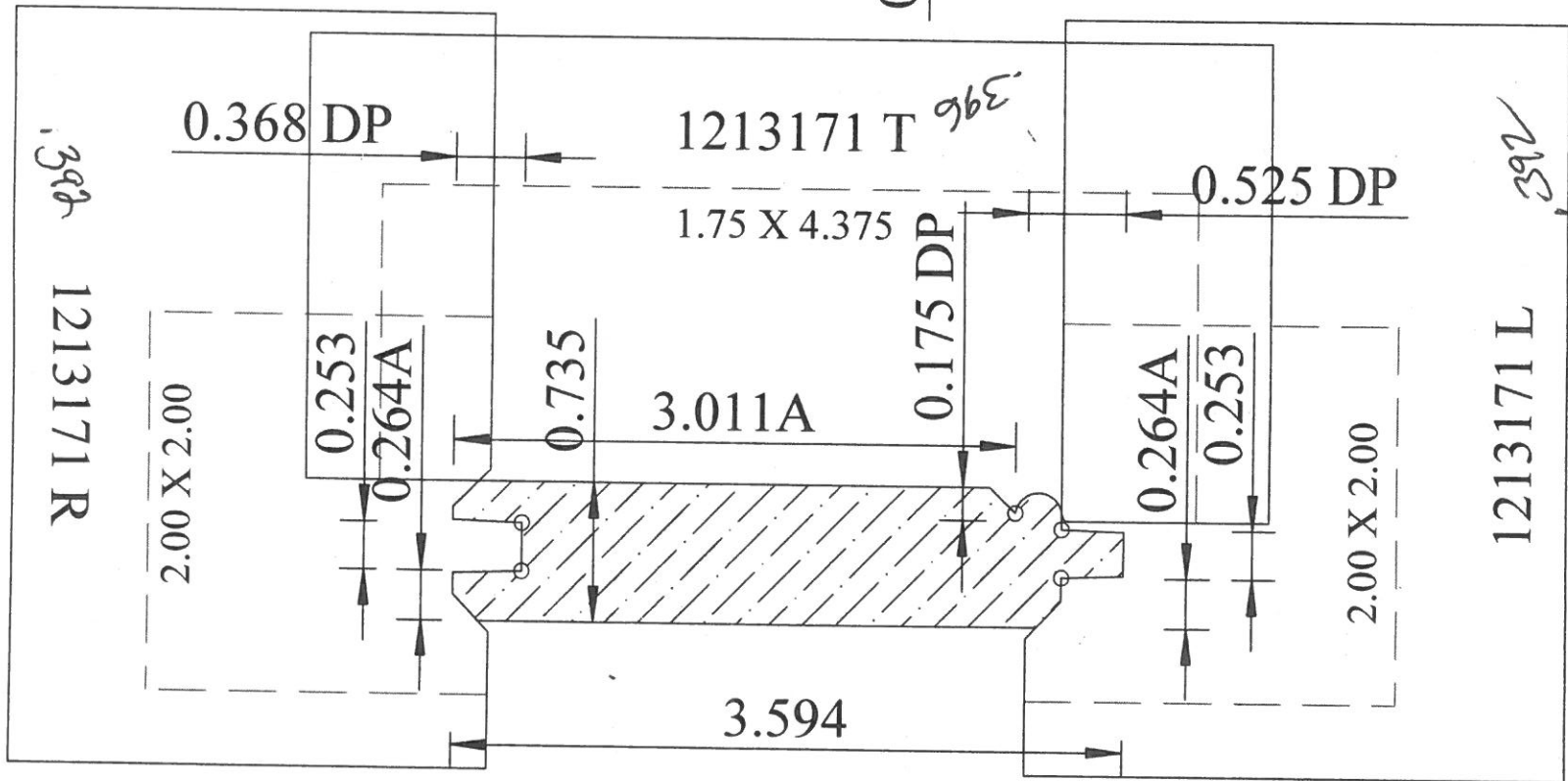
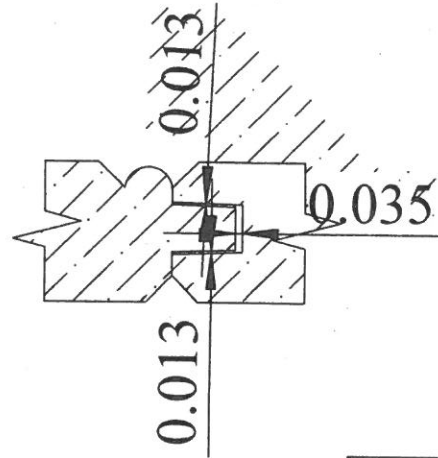
* Custom for
Bliffert Luml

THIS DRAWING IS PROPERTY OF WEINIG INC.

Sign for approvals: X Date: _____
DRAWN BY: "Michael Neville"



D-52



fence

bed

View From Outfeed

* Custom FOR MAM manufacture

Client Name: FILLINGER

Sign for approvals: X
DRAWN BY: "Igor Arsenovich"

Date: _____

THIS DRAWING IS PROPERTY OF WEINIG INC.



Services Requested & Material Selection
(circle all that apply)

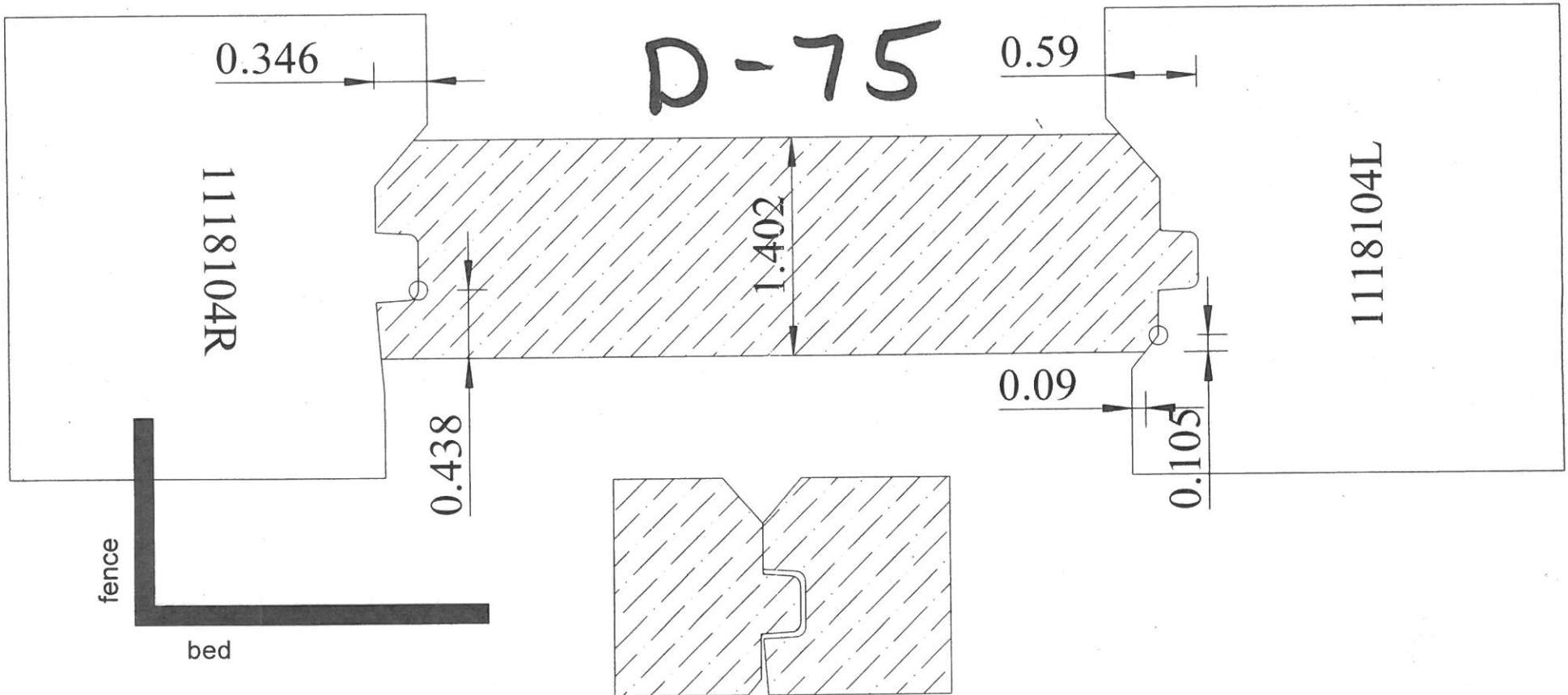
	Finished	Rough
M3+HSS	Double-Back	Supre
TCT Inlaid	Insert	SRS

D-75

AXIAL # _____

AXIAL # _____

D-75

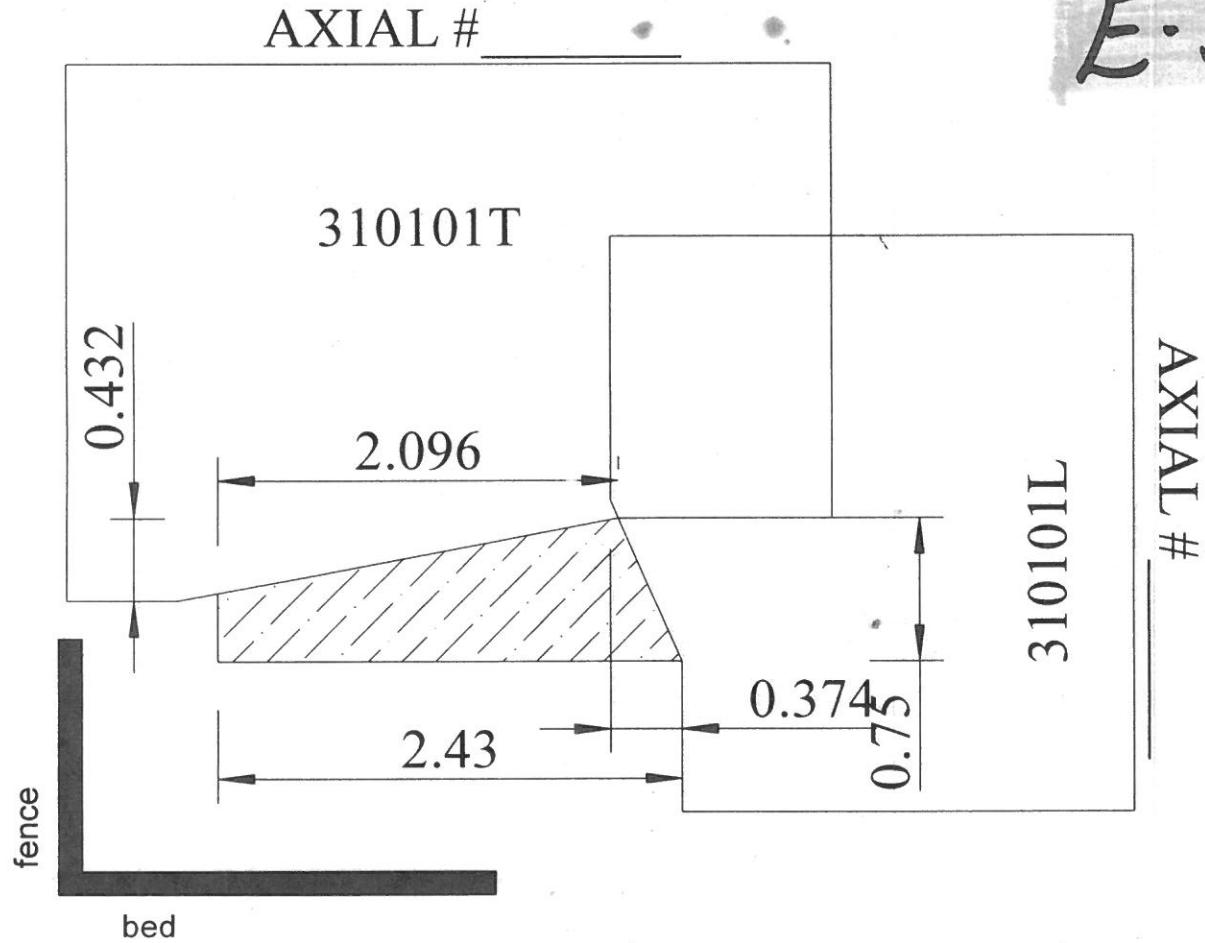


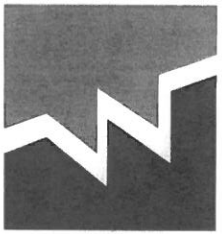


Services Requested & Material Selection
(circle all that apply)

	Finished	Rough
M3+HSS	Double-Back	Supre
TCT Inlaid	Insert	SRS

E-35





WEINIG

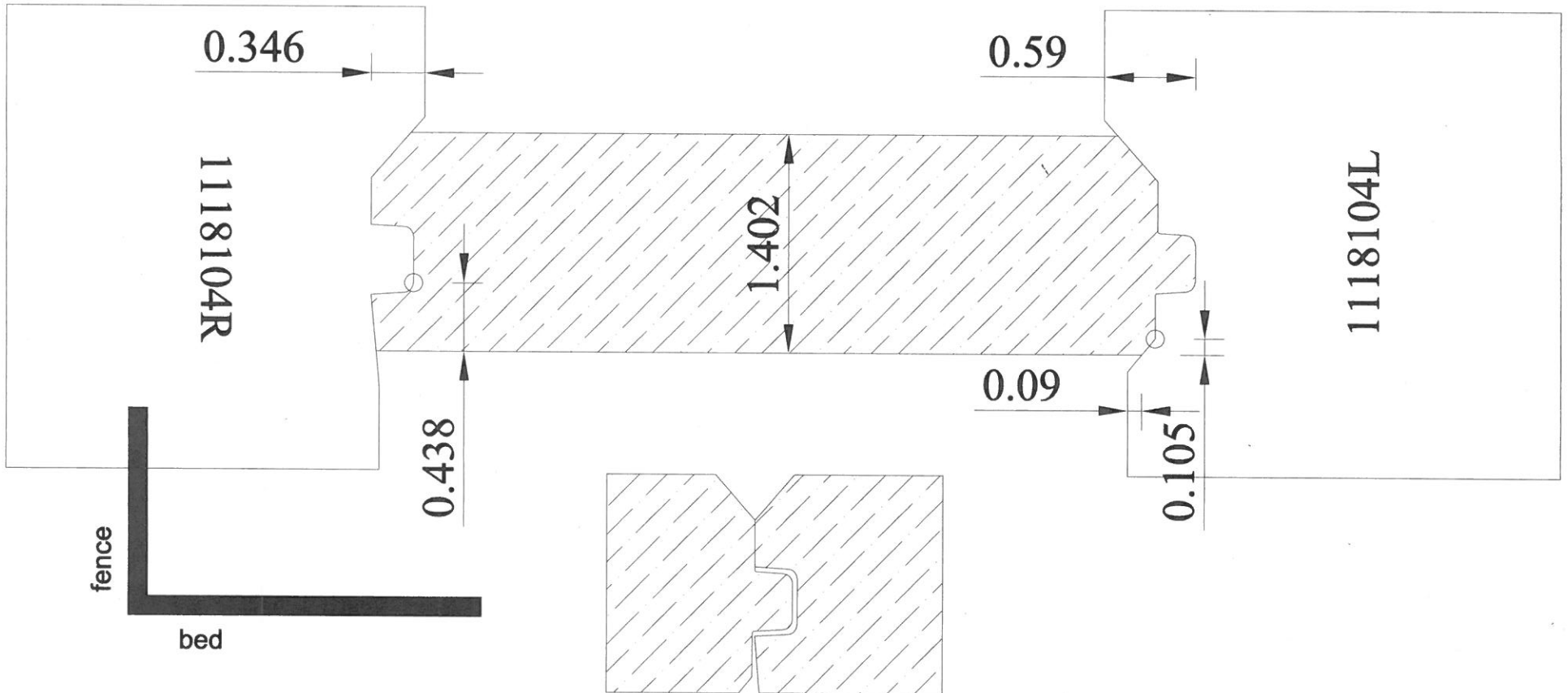
Services Requested & Material Selection
(circle all that apply)

	Finished	Rough
M3+HSS	Double-Back	Supre
TCT Inlaid	Insert	SRS

E-76

AXIAL # _____

AXIAL # _____

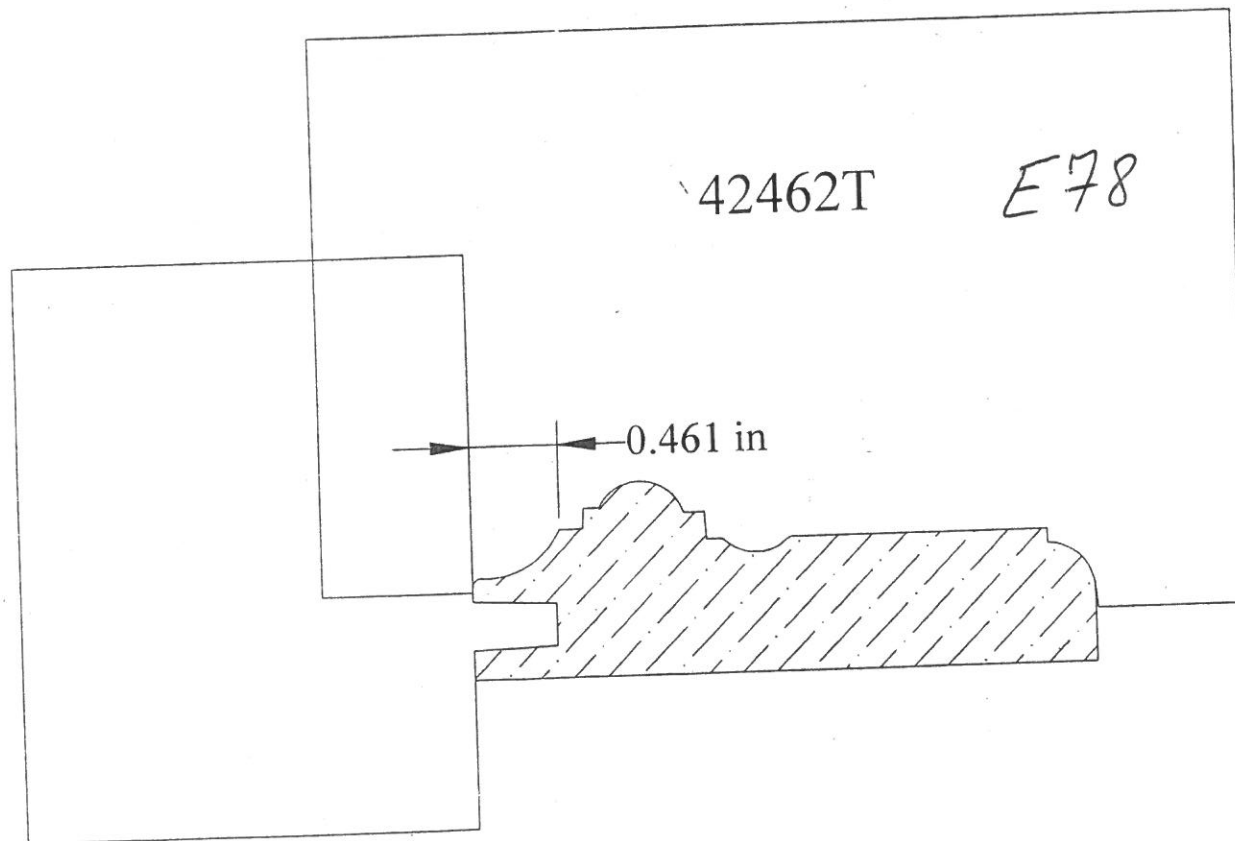


Michael Weinig, Inc
124 Crosslake Park Drive
Mooresville, NC 28117

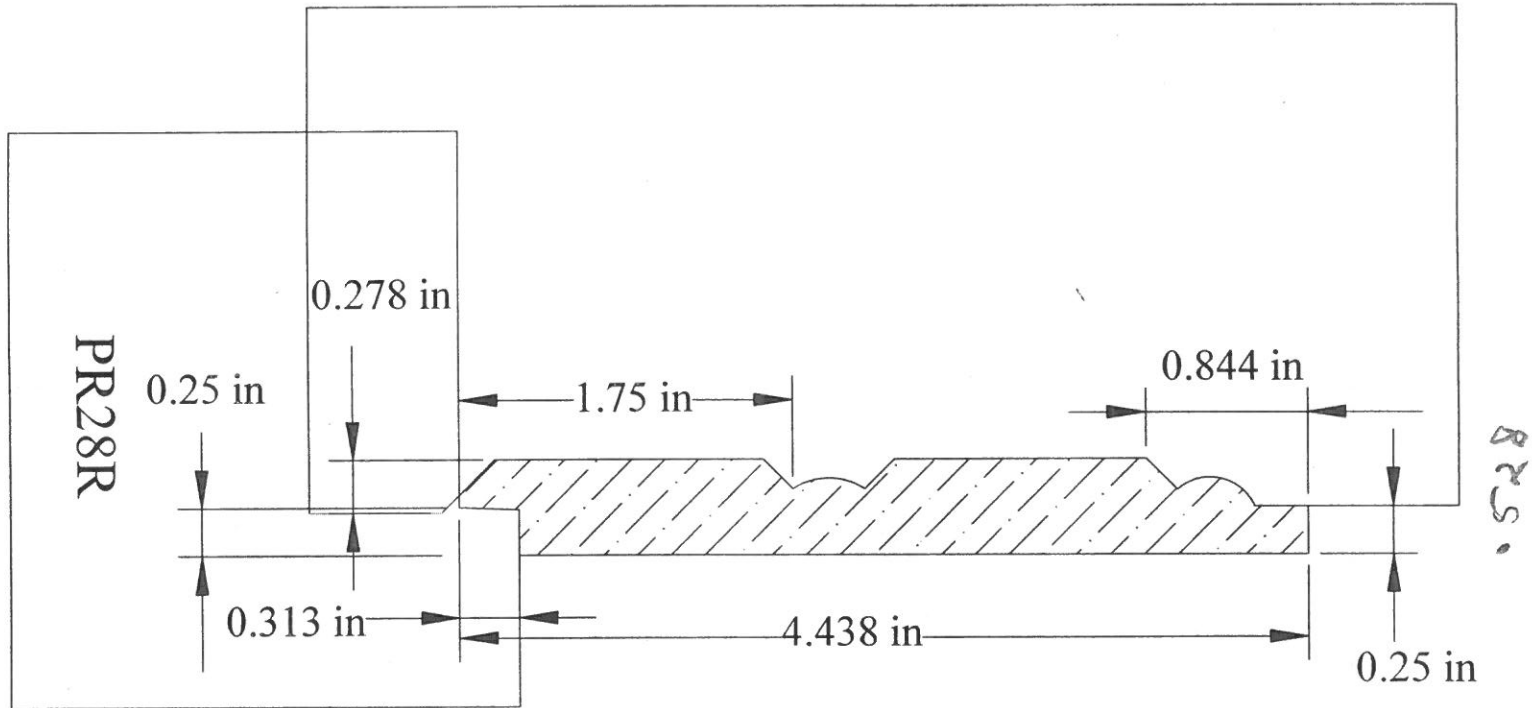
Sign for approval or make changes: X
DRAWN BY: Jason Lloyd

Thank you

E-78



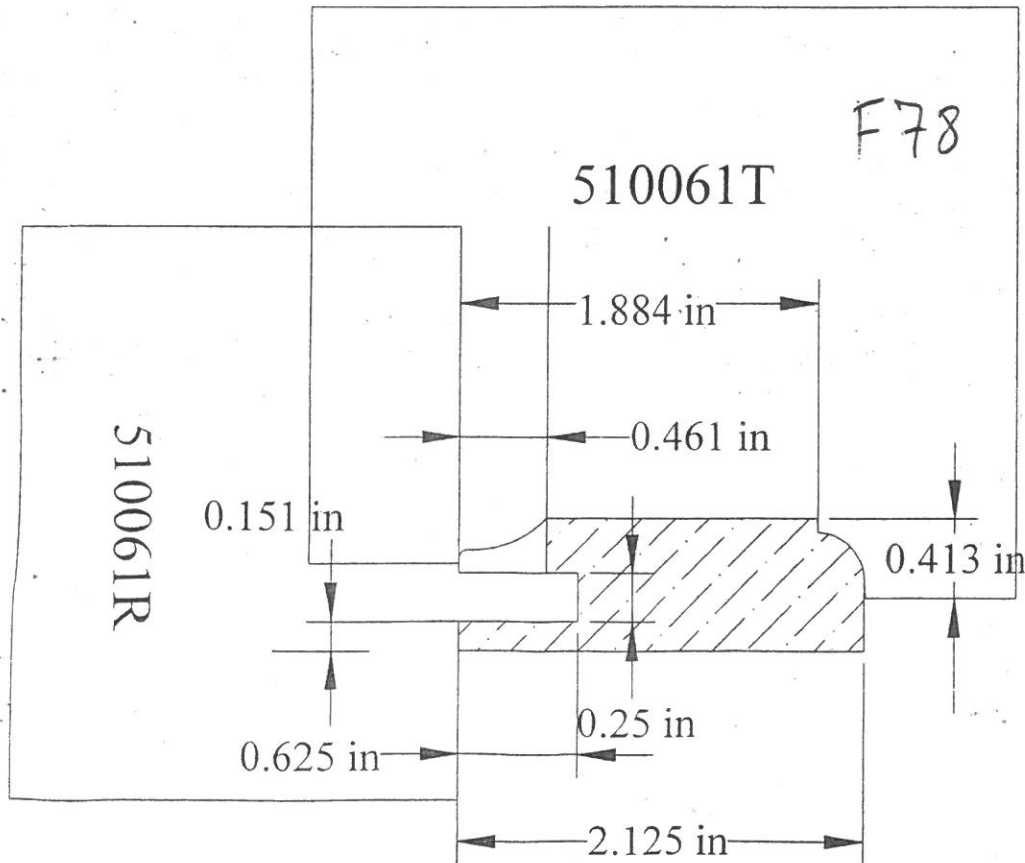
F-72



FENCE

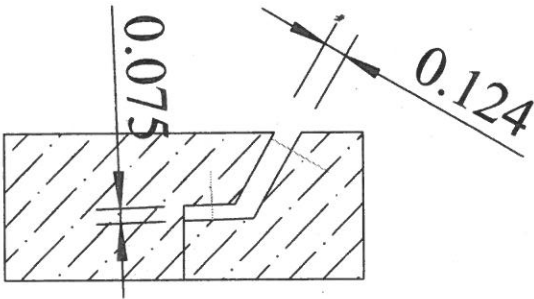
Fillinger

F-78

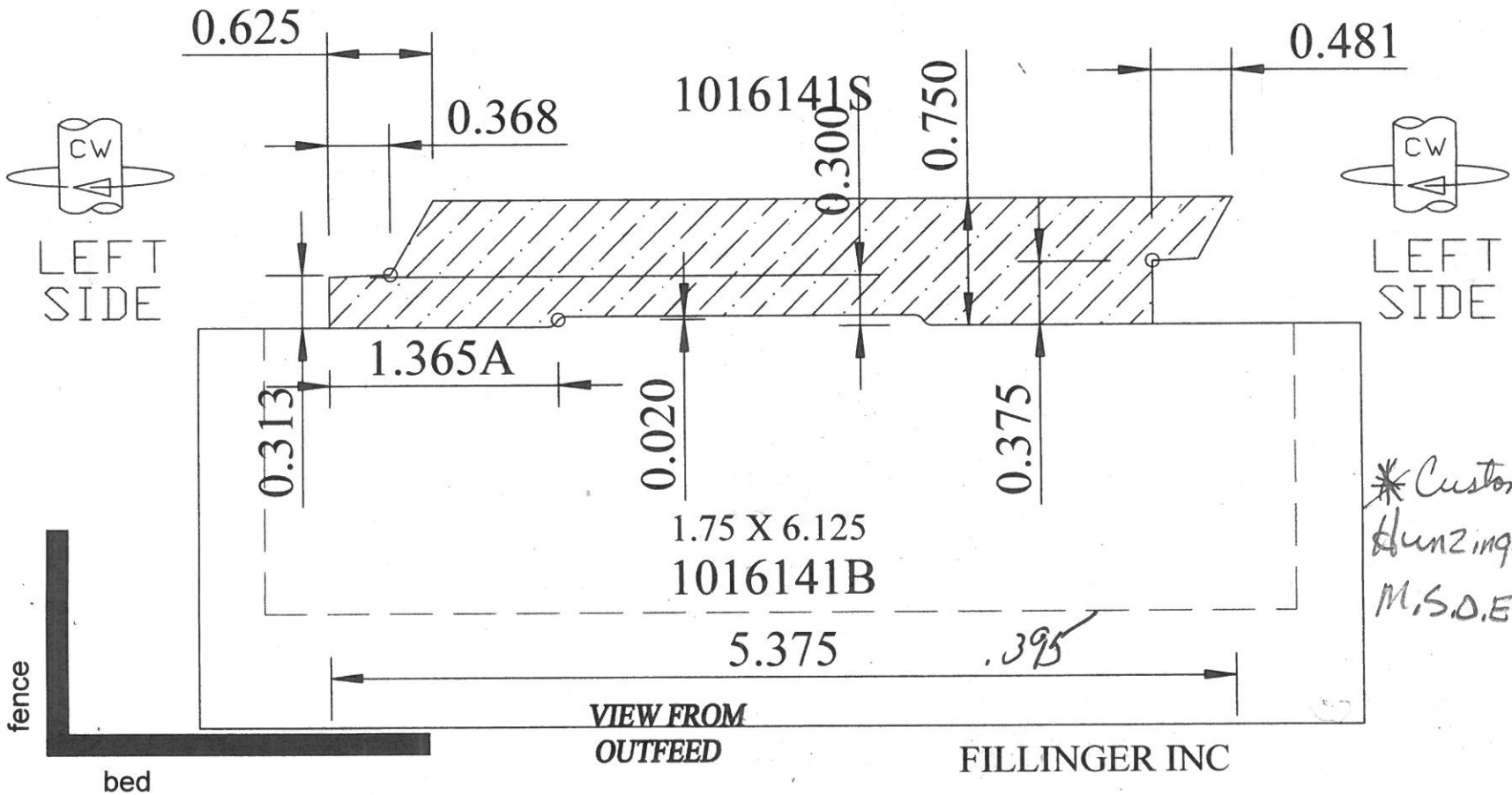




KNIFE MATERIAL		
M2 5/16"	M3+ HSS	SUPRE-18



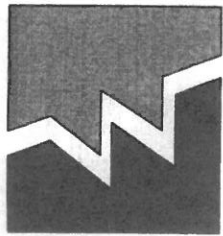
F-95



** Custom for Hunzinger Const. M.S.D.E. Project*

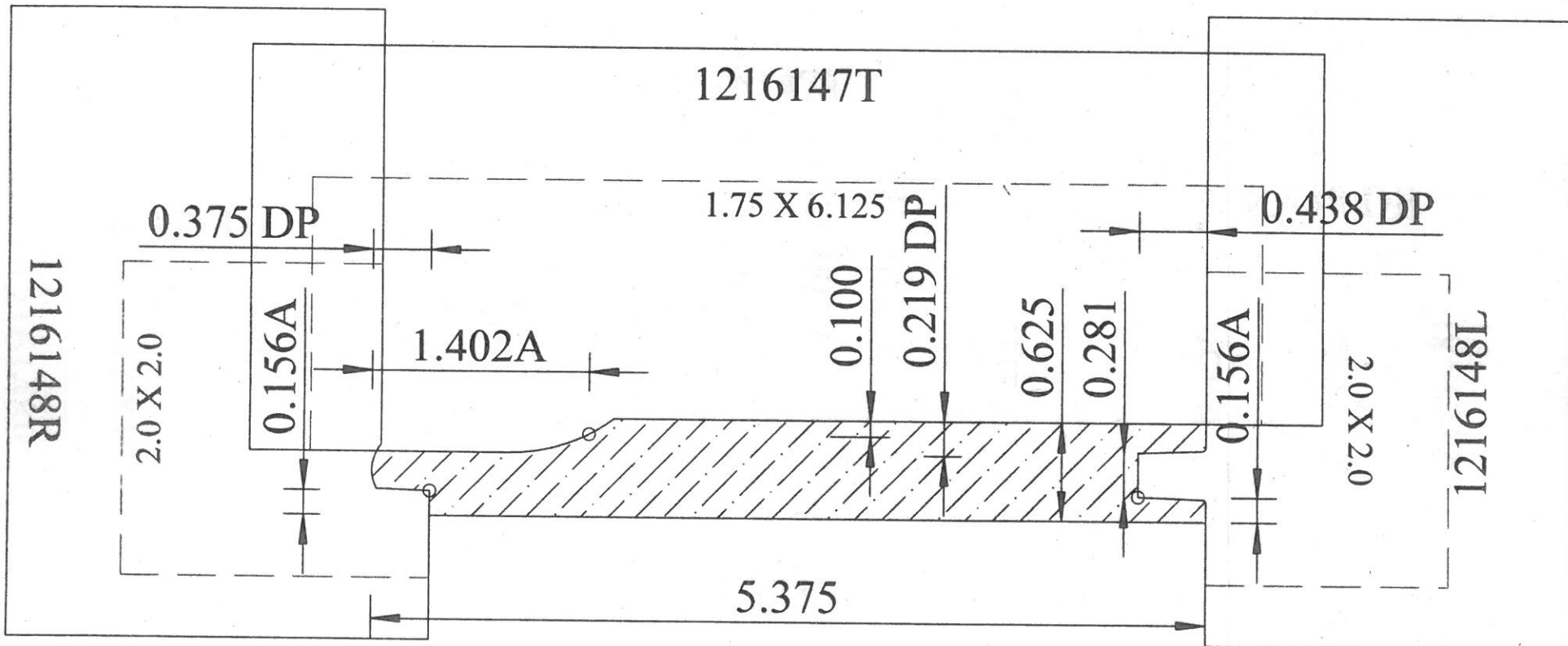
THIS DRAWING IS PROPERTY OF WEINIG INC.

Sign for approvals: X Date: _____
 DRAWN BY: "Chadroe Sloan"



WEINIG

G-94



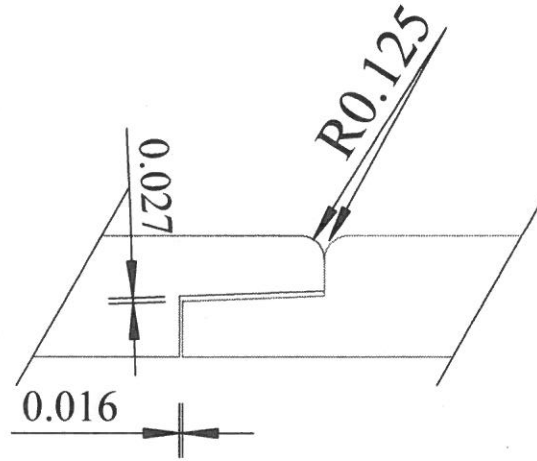
* Custom for

Client Name: FILLINGER INC

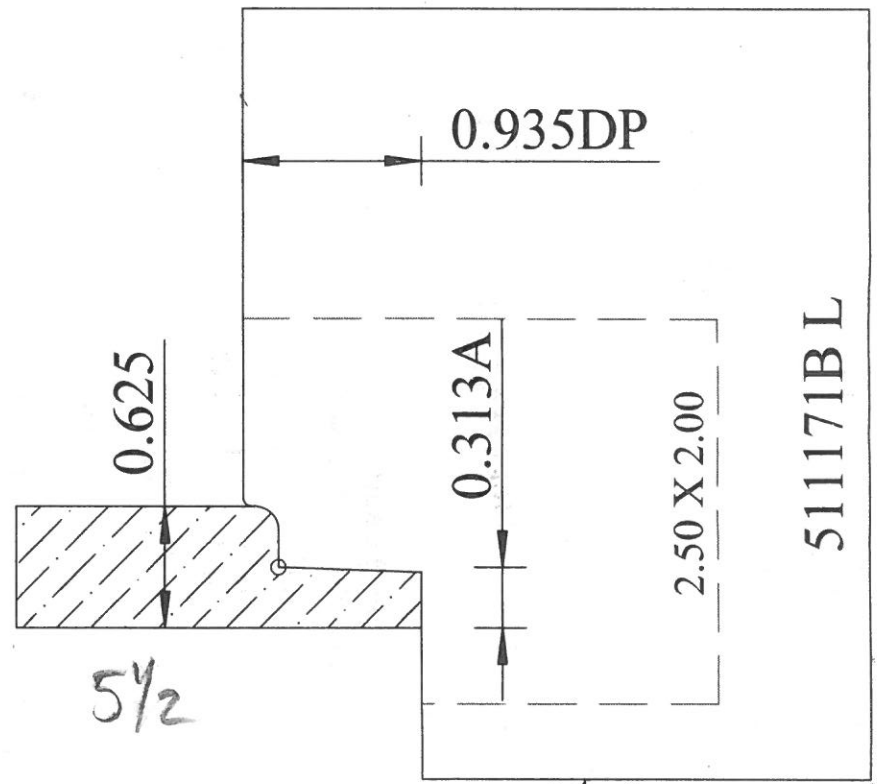
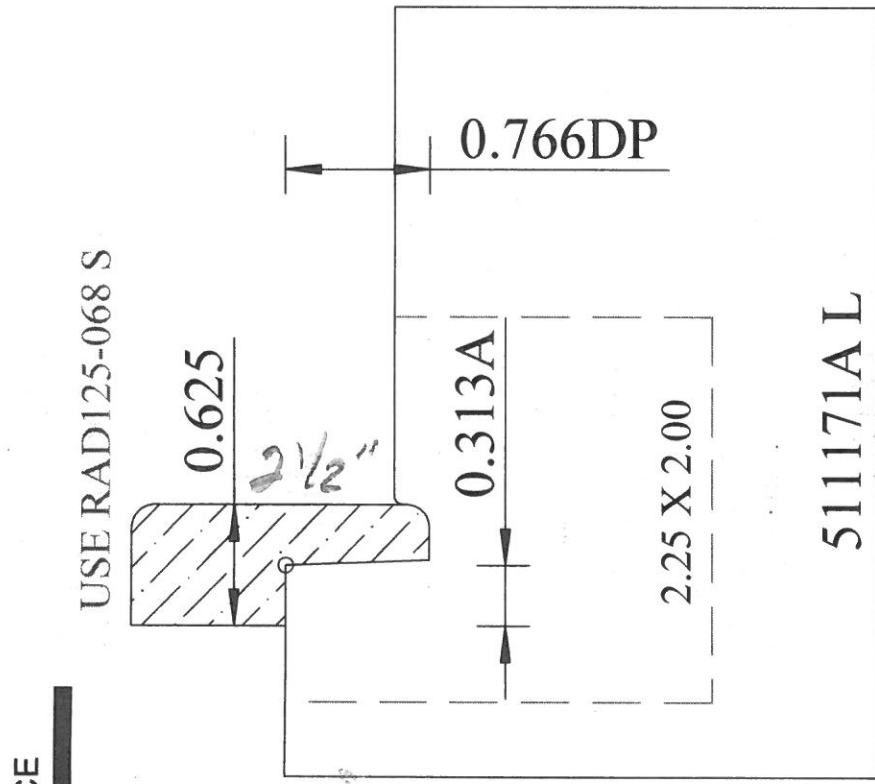
Sign for approvals: X
DRAWN BY: "Michael Neville"

Date: _____

THIS DRAWING IS PROPERTY OF WEINIG INC.



H-65



FENCE
BED
VIEW FROM OUTFEED

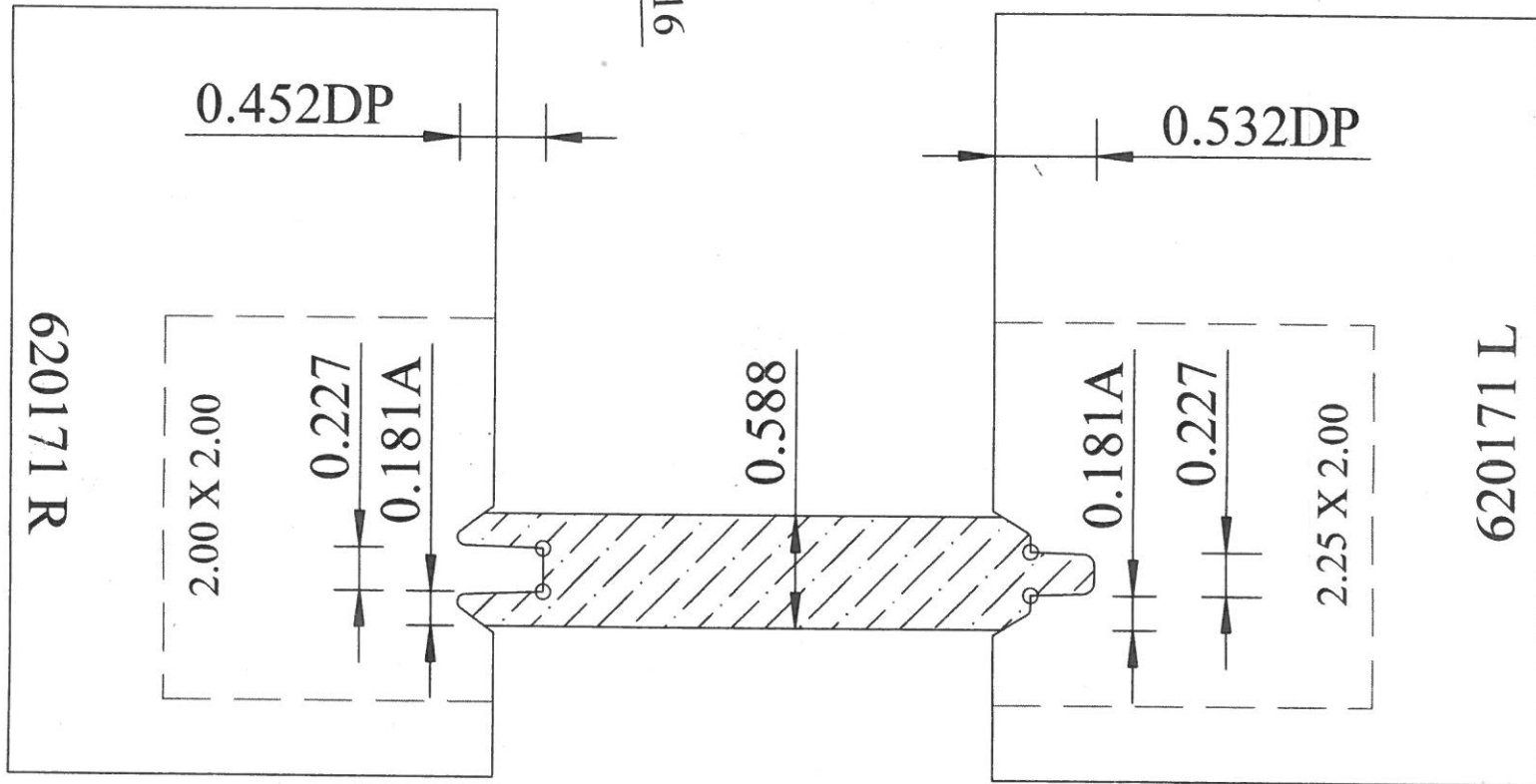
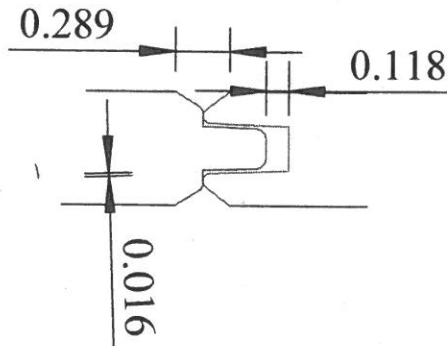
*Custom for
Bliffert Lumber
Co.

THIS DRAWING IS PROPERTY OF WEINIG INC.

CLIENT NAME: FILLINGER
SIGN FOR APPROVALS: X _____
DRAWN BY: MARIA ALEMAN
DATE: _____



H-73



FENCE

BED
VIEW FROM OUTFEED

* Custom F
Bliffert
Lumb

THIS DRAWING IS PROPERTY OF WEINIG INC.

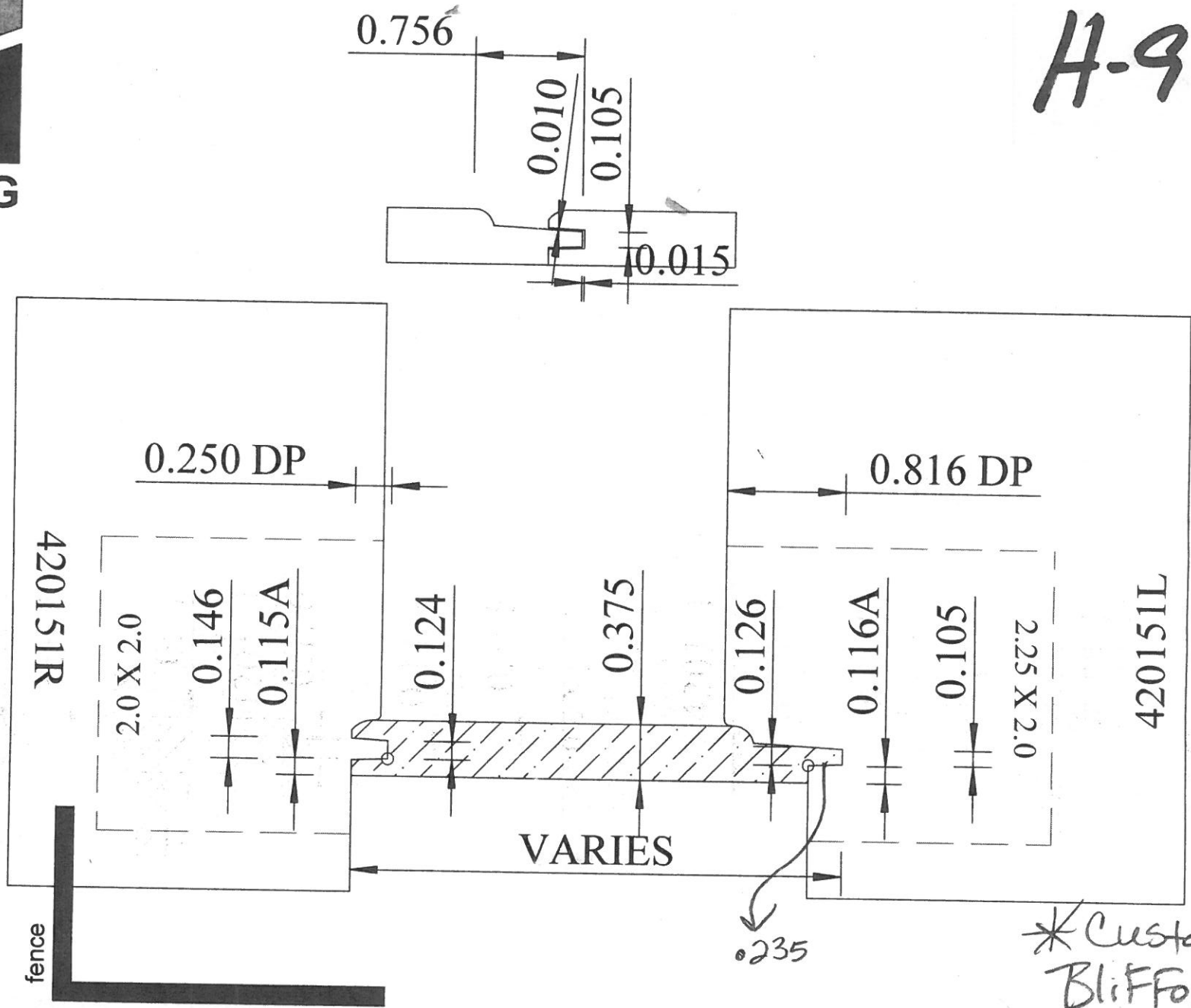
CLIENT NAME: FILLINGER

SIGN FOR APPROVALS: X
DRAWN BY: MARIA ALEMAN

DATE: _____



A-96



fence
bed

View From Outfeed

** Custom to
Blifford
Yumbse*

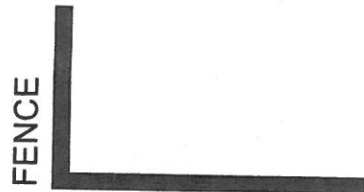
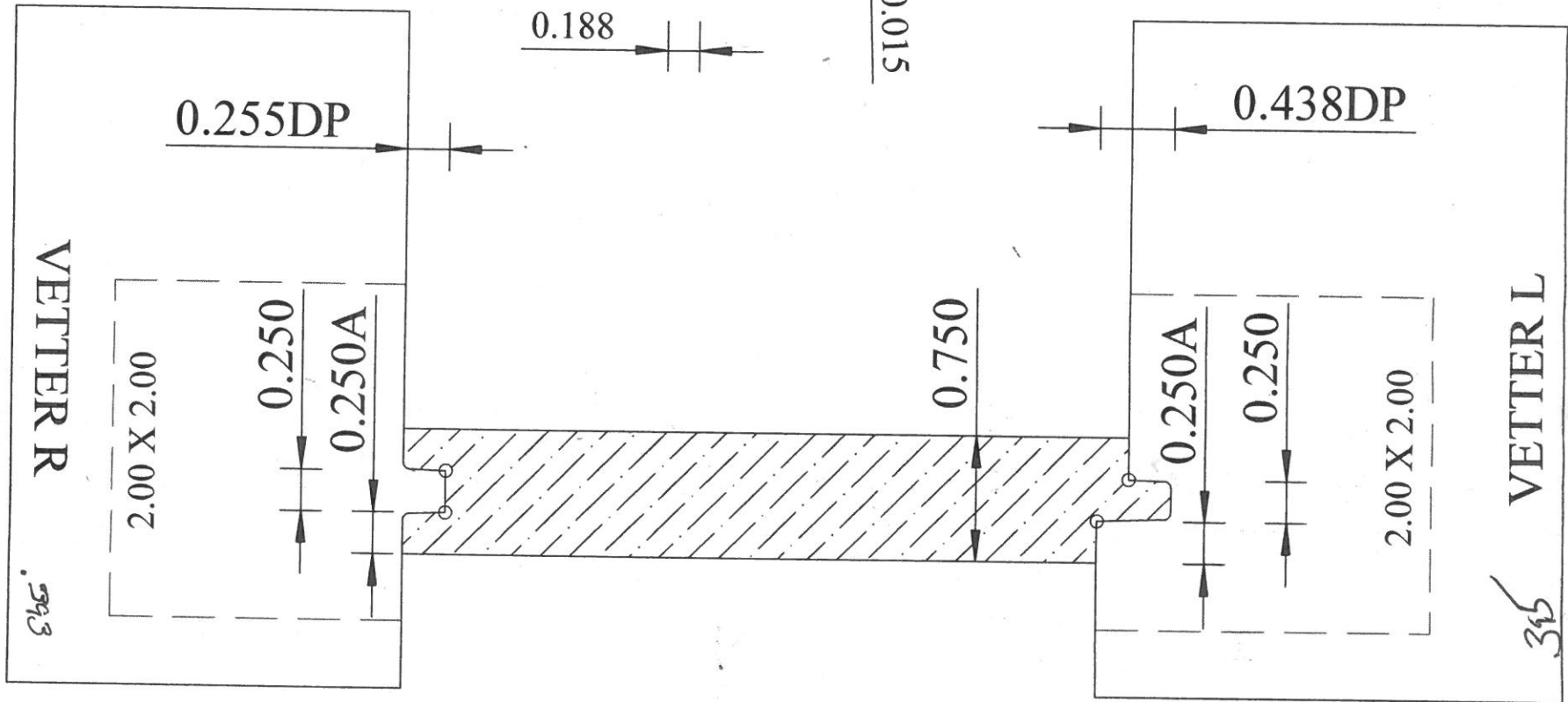
Client Name: FILLINGER INC

Sign for approvals: X
DRAWN BY: "Michael Neville" Date: _____

THIS DRAWING IS PROPERTY OF WEINIG INC.



I-36



FENCE
BED
VIEW FROM OUTFEED

THIS DRAWING IS PROPERTY OF WEINIG INC.

* Custom for
Vetter Desk

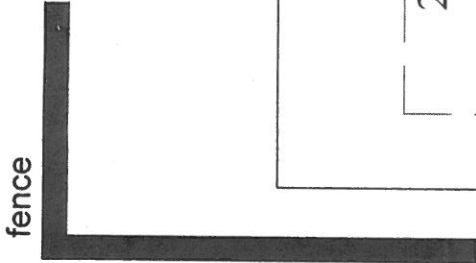
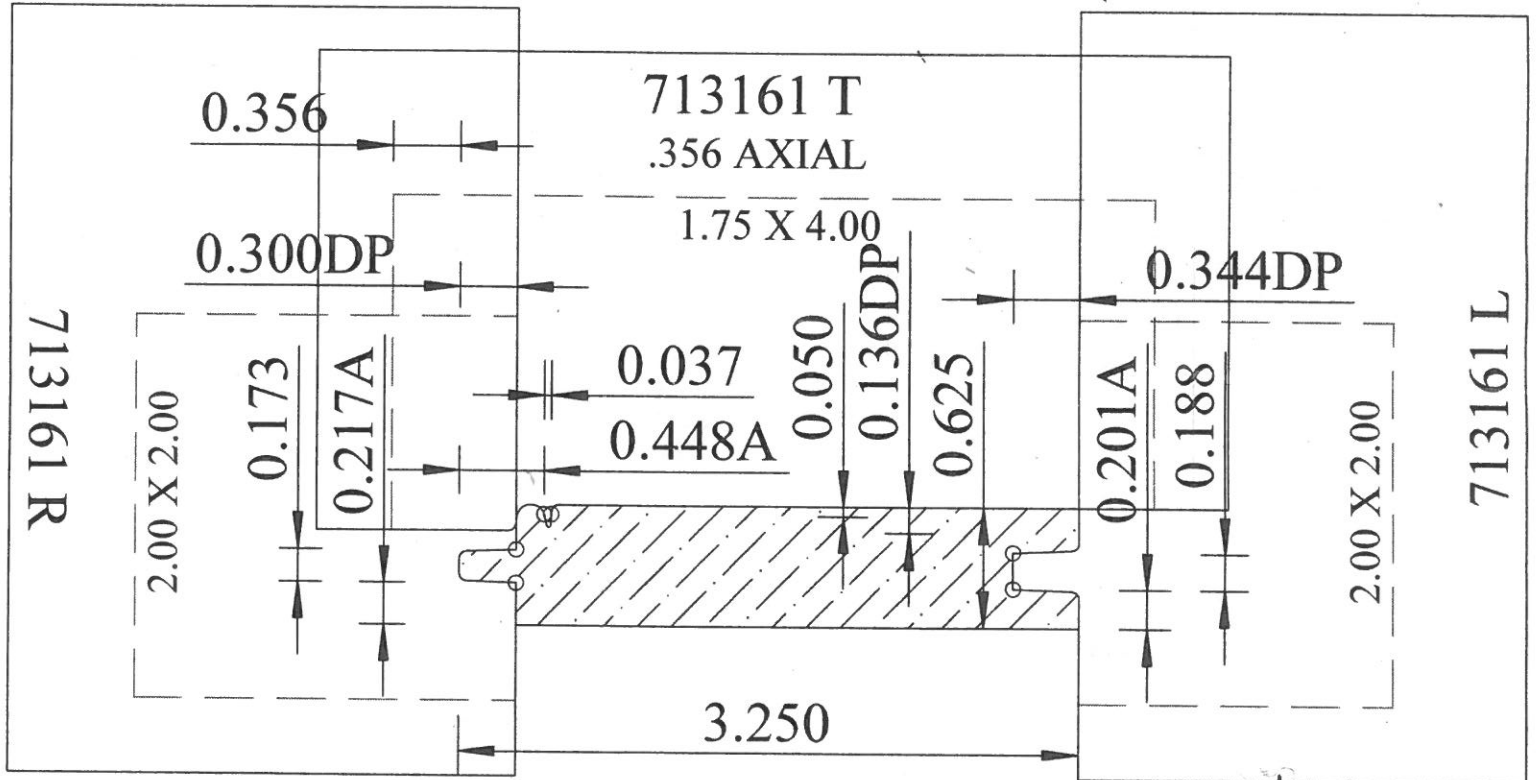
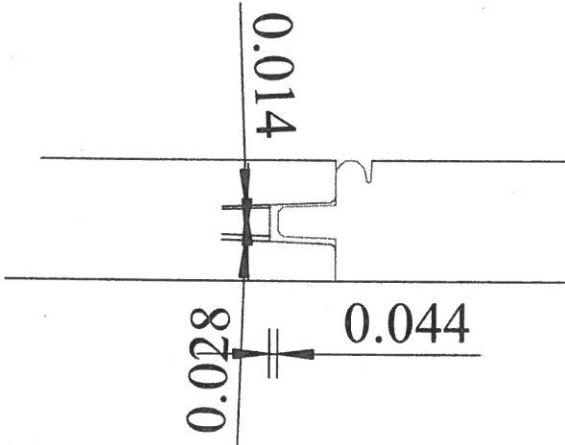
CLIENT NAME: FILLINGER

SIGN FOR APPROVALS: X _____
DRAWN BY: MARIA ALEMAN

DATE: _____



J-66



View From Outfeed

* Custom for Km Developm.

THIS DRAWING IS PROPERTY OF WEINIG INC.

CLIENT NAME: FILLINGER

SIGN FOR APPROVALS: X
DRAWN BY: MARIA ALEMAN

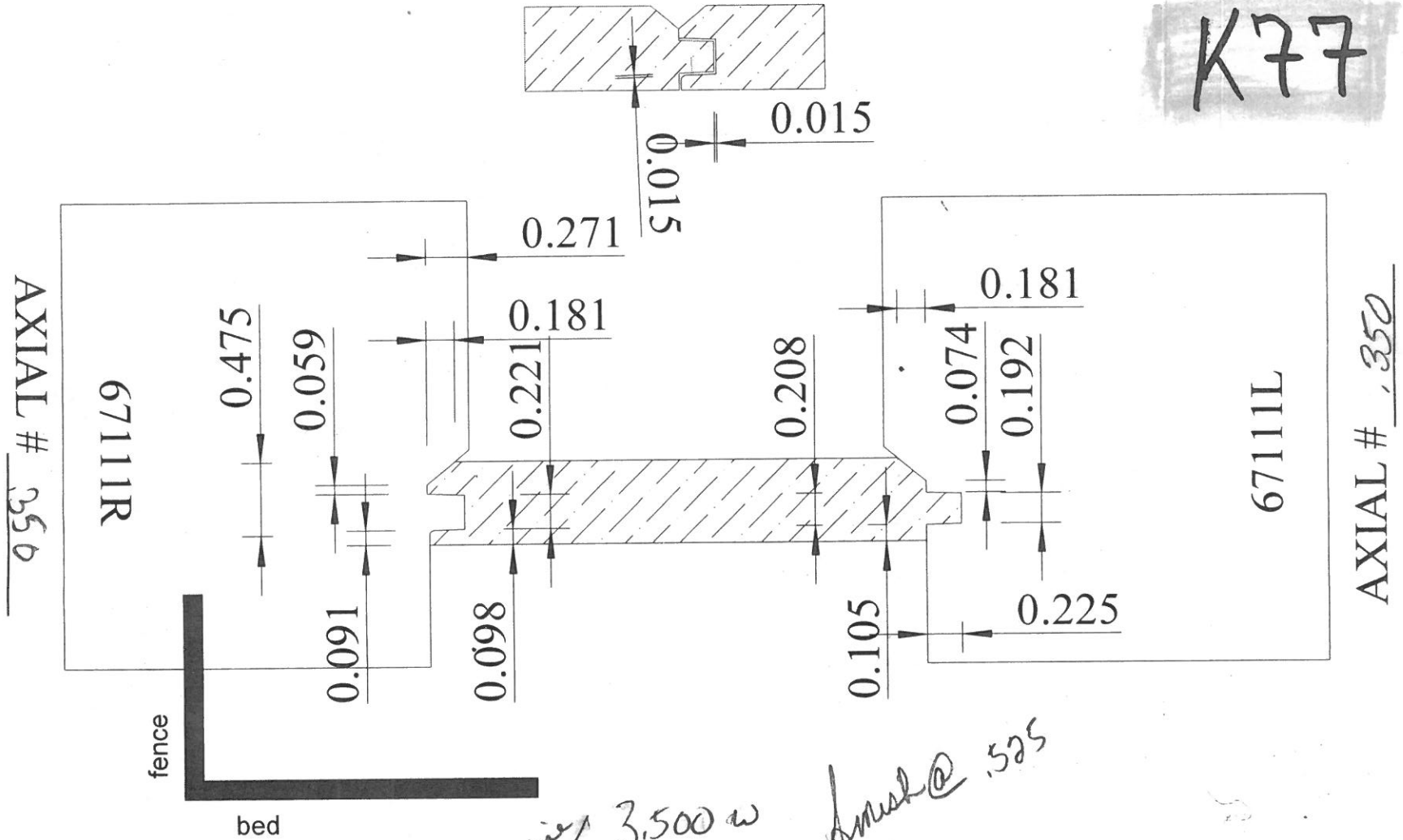
DATE: _____



Services Requested & Material Selection
(circle all that apply)

	Finished	Rough
M3+HSS	Double-Back	Supre
TCT Inlaid	Insert	SRS

K77



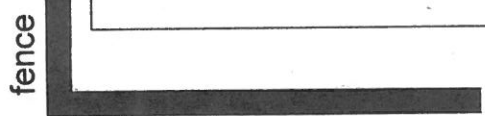
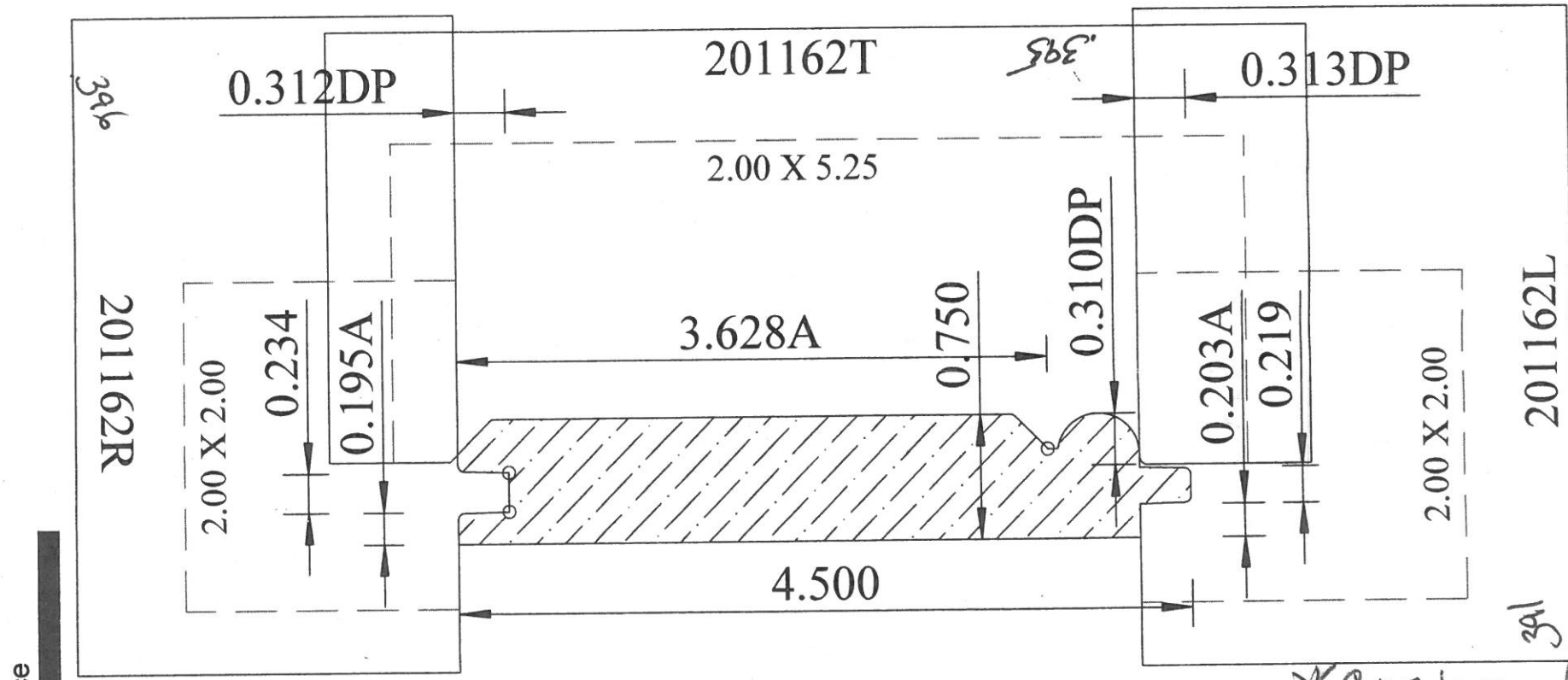
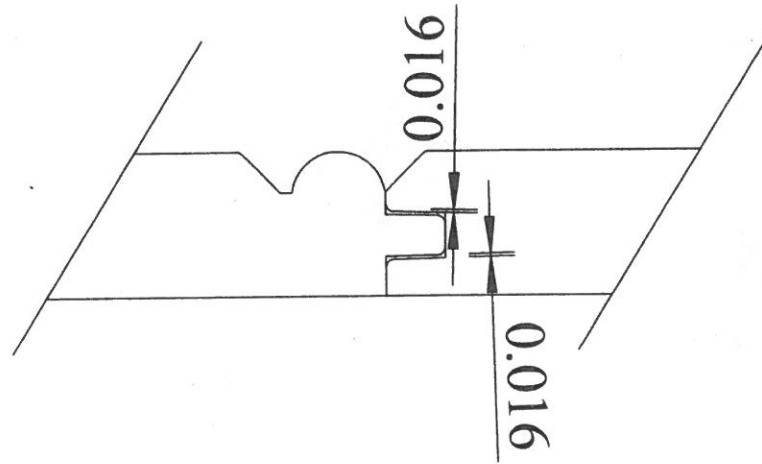
Michael Weinig, Inc
124 Crosslake Park
Drive
Mooresville, NC 28117

Sign for approval or make changes: X
DRAWN BY: "CHADROE" SLOAN

Thank you



K-95



*Custom for Jim Constuction (Pine Lake Residence)

CLIENT NAME: FILLINGER DATE: _____
 SIGN FOR APPROVALS: X _____
 DRAWN BY: MARIA ALEMAN

THIS DRAWING IS PROPERTY OF WEINIG INC.

View From Outfeed