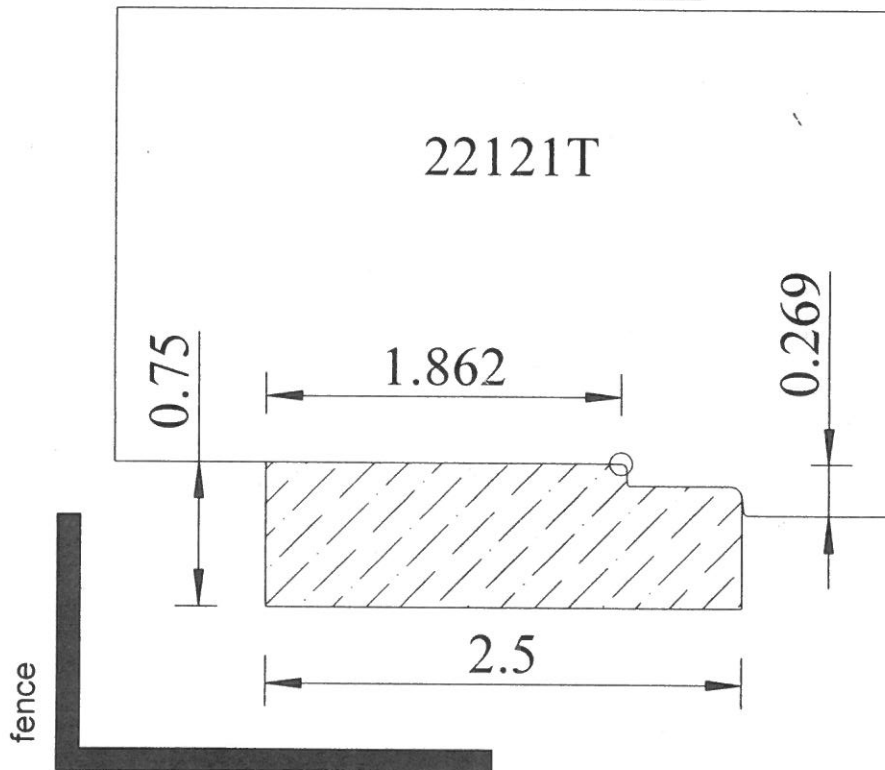




SPECIAL ORDER MOULDINGS

CASINGS A-67

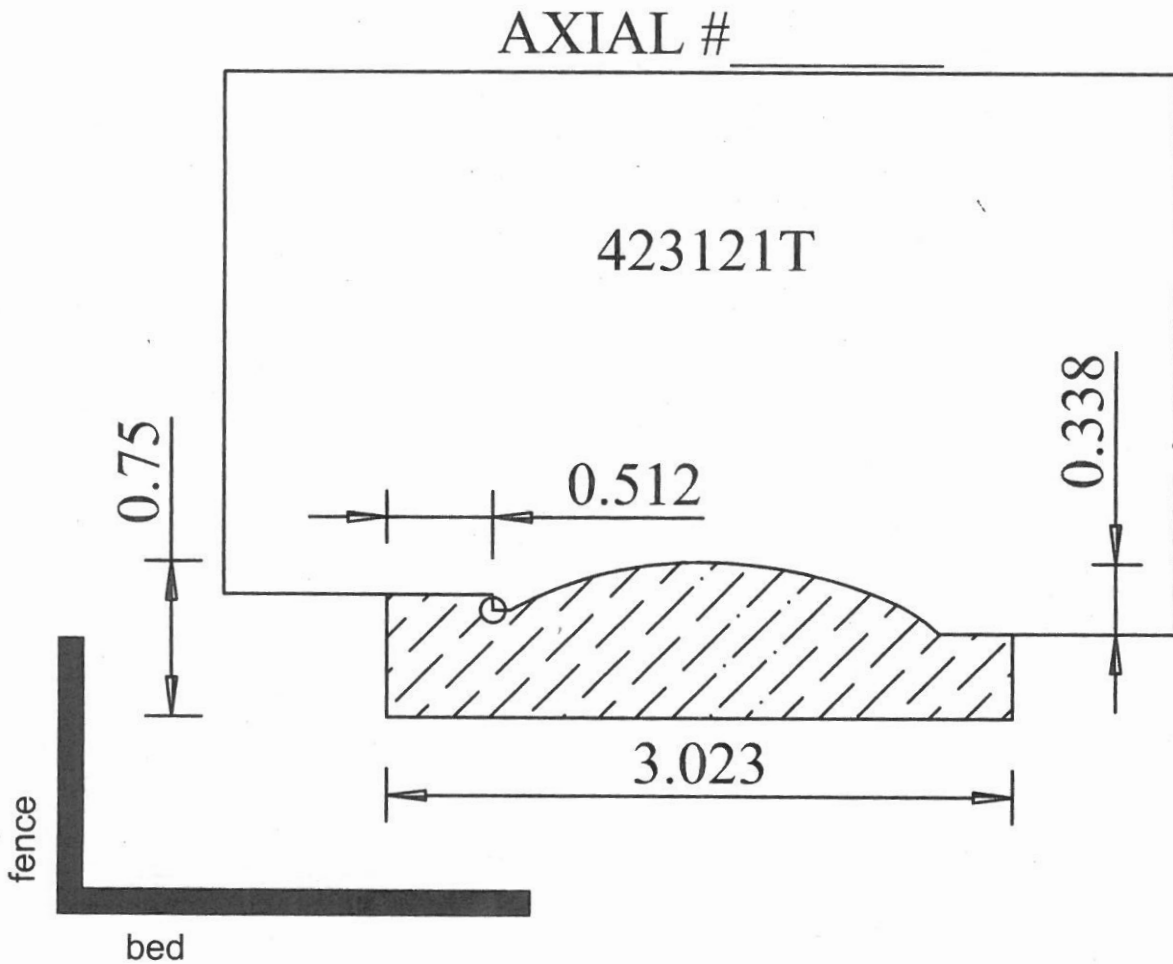
AXIAL # 0392





SPECIAL ORDER MOULDINGS

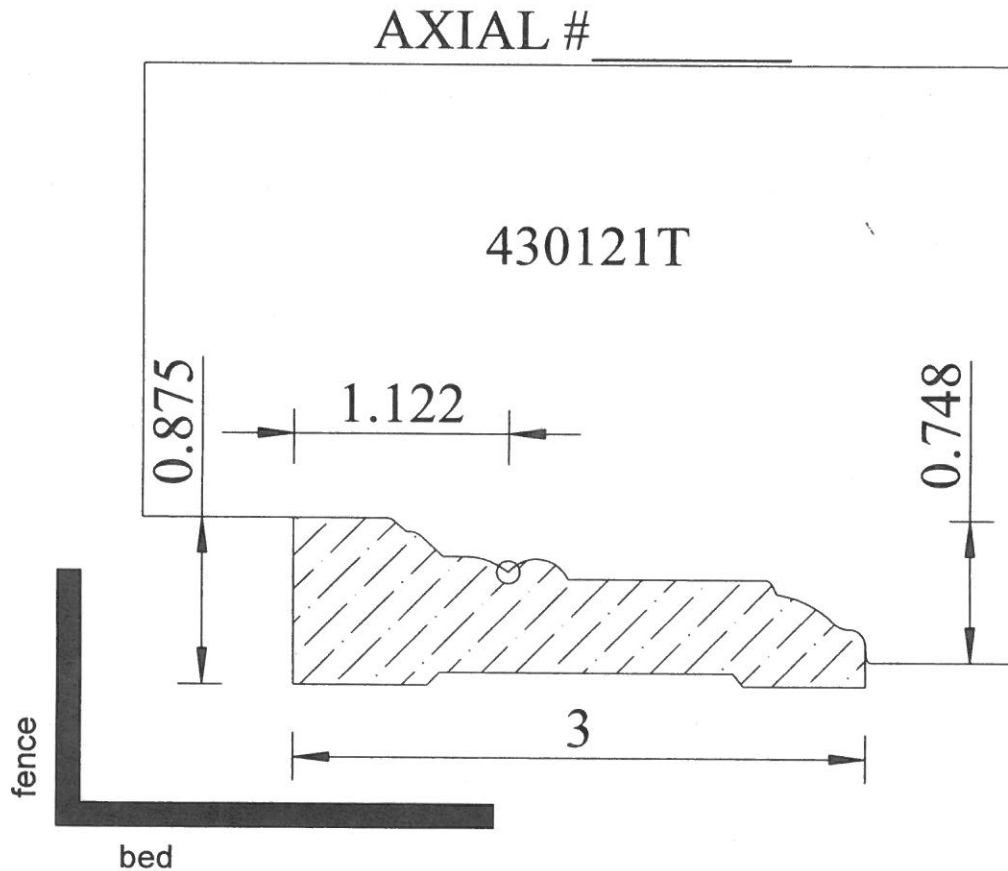
CASINGS A-74





SPECIAL ORDER MOULDINGS

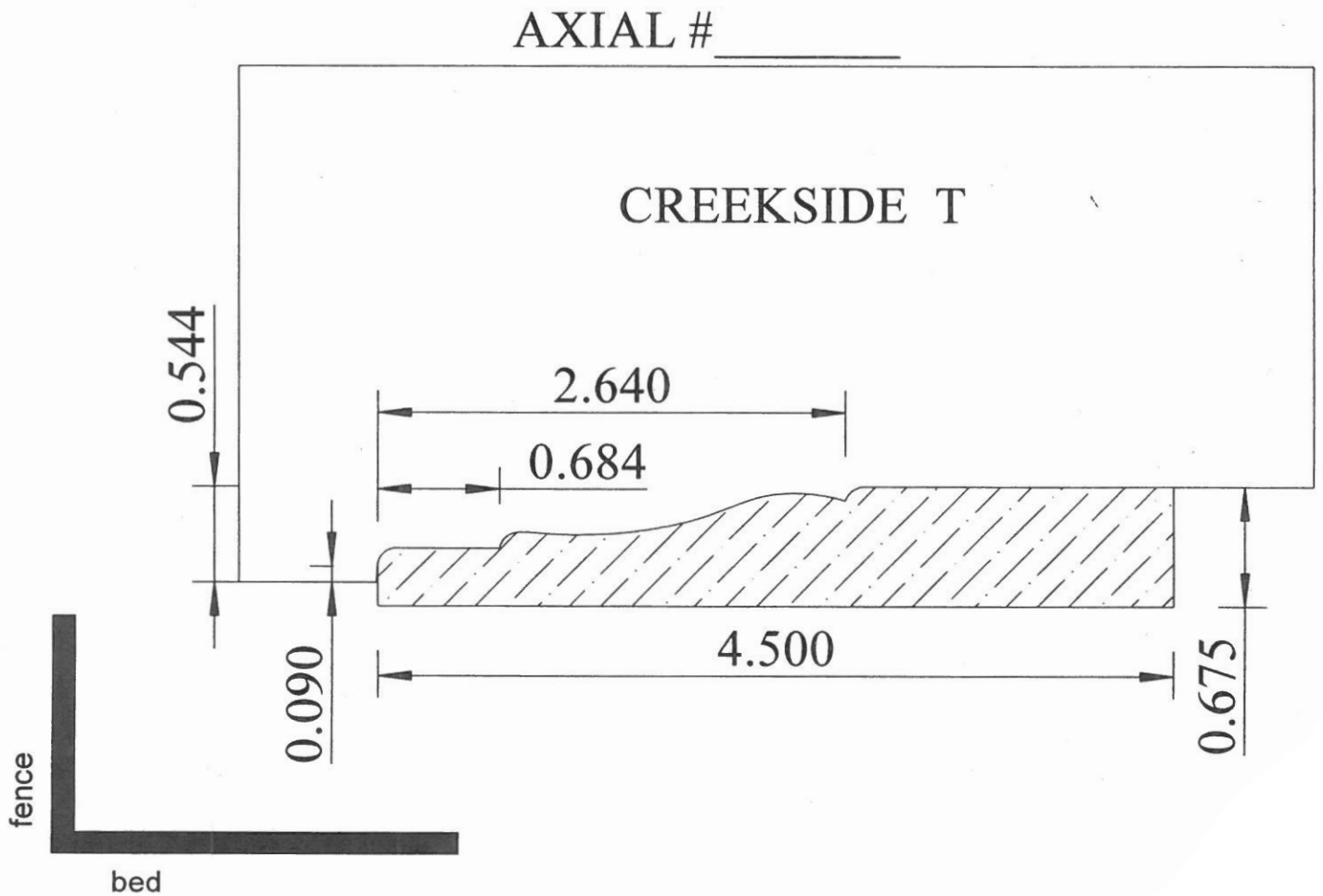
CASINGS A-75





SPECIAL ORDER MOULDINGS

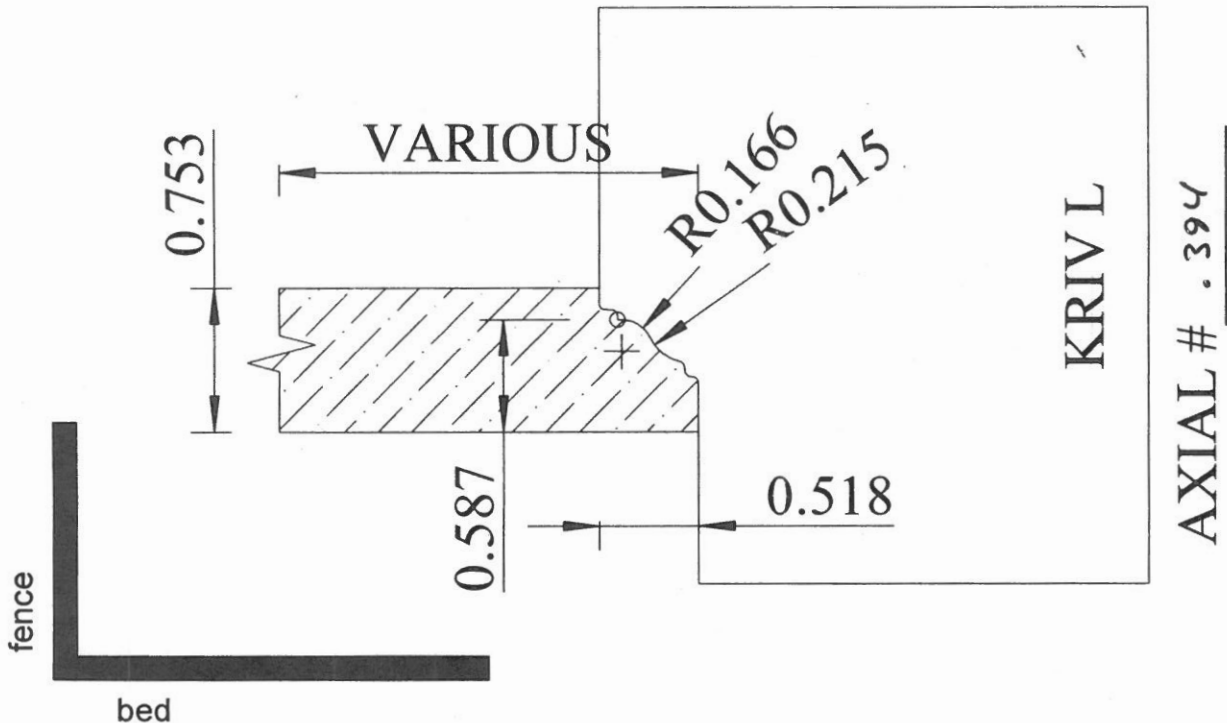
CASINGS A-76





SPECIAL ORDER MOULDINGS

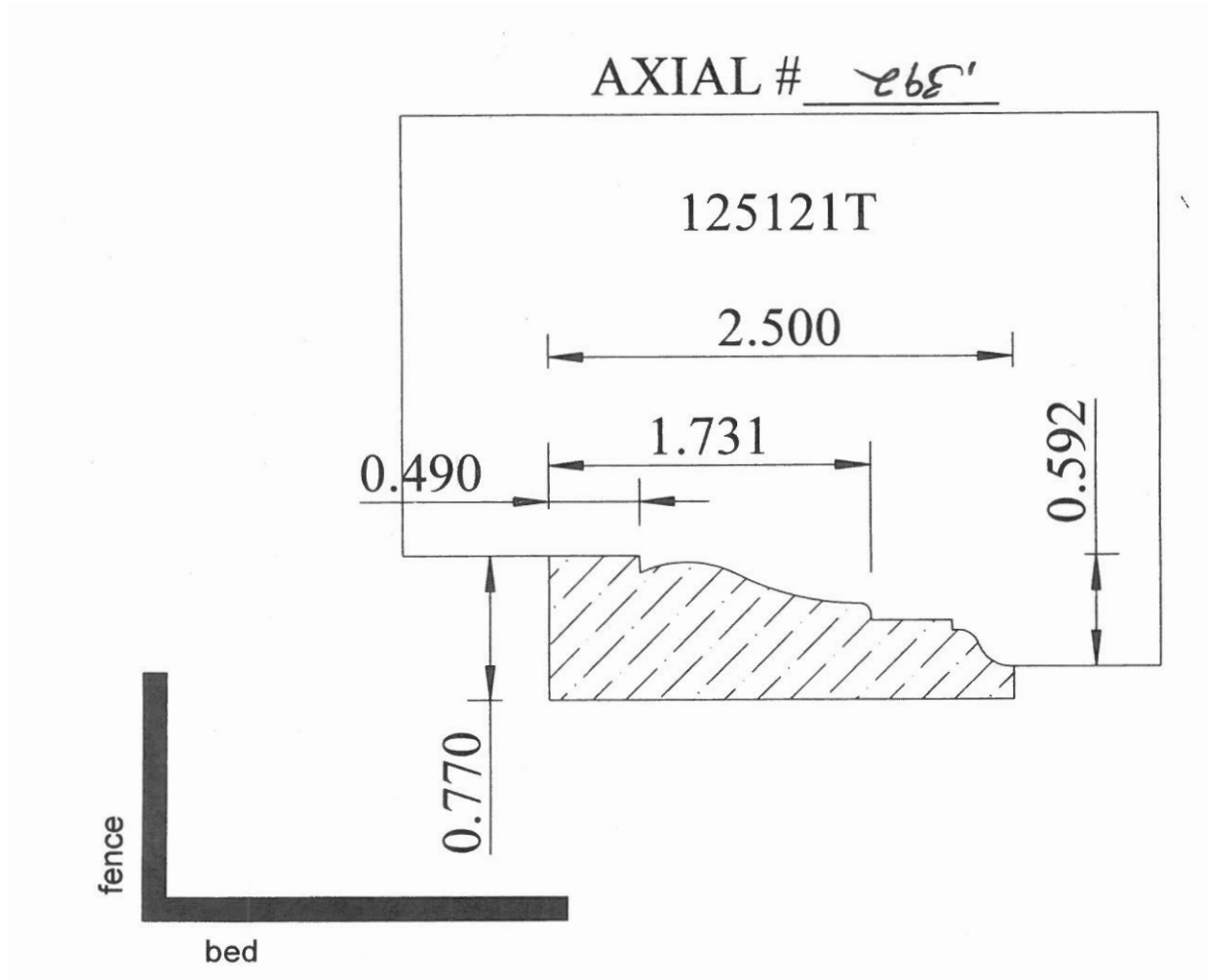
CASINGS A-85





SPECIAL ORDER MOULDINGS

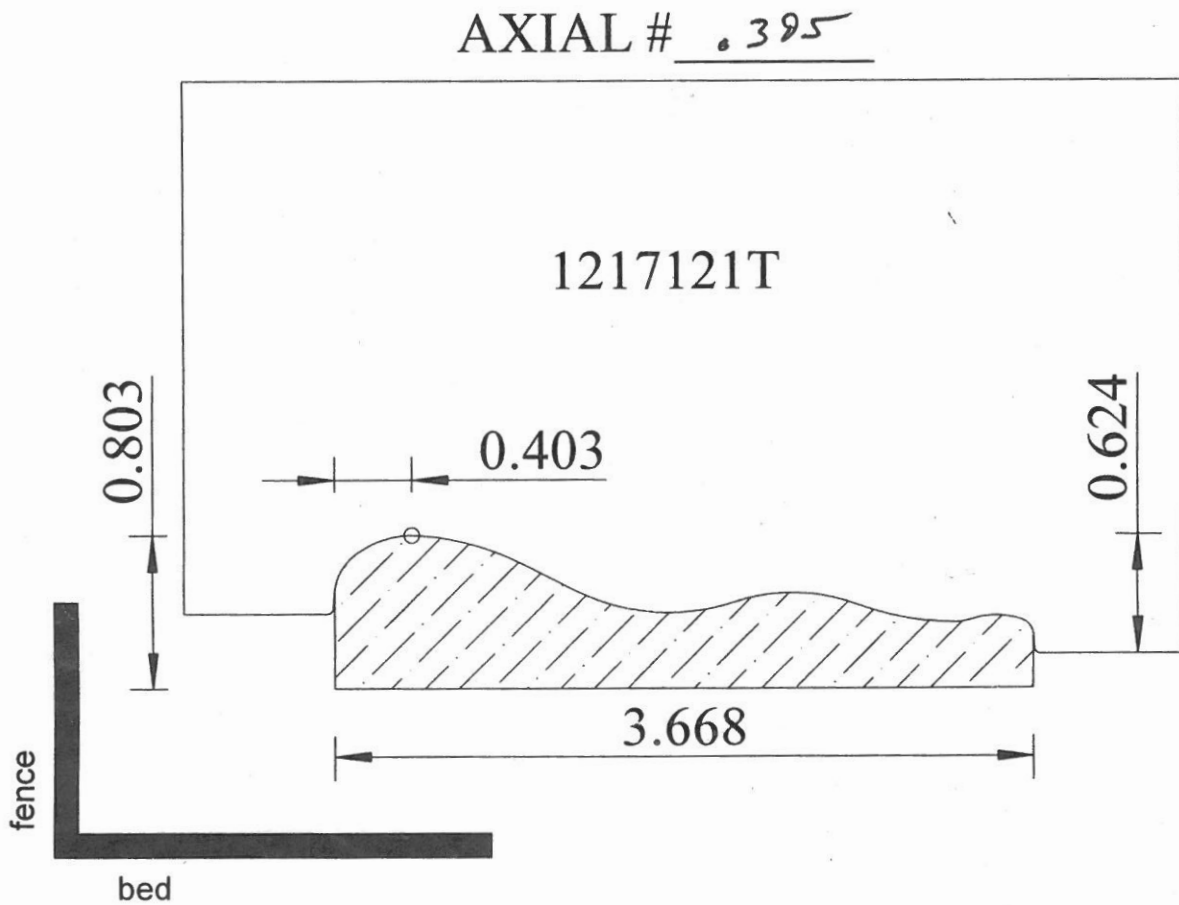
CASINGS A-88





SPECIAL ORDER MOULDINGS

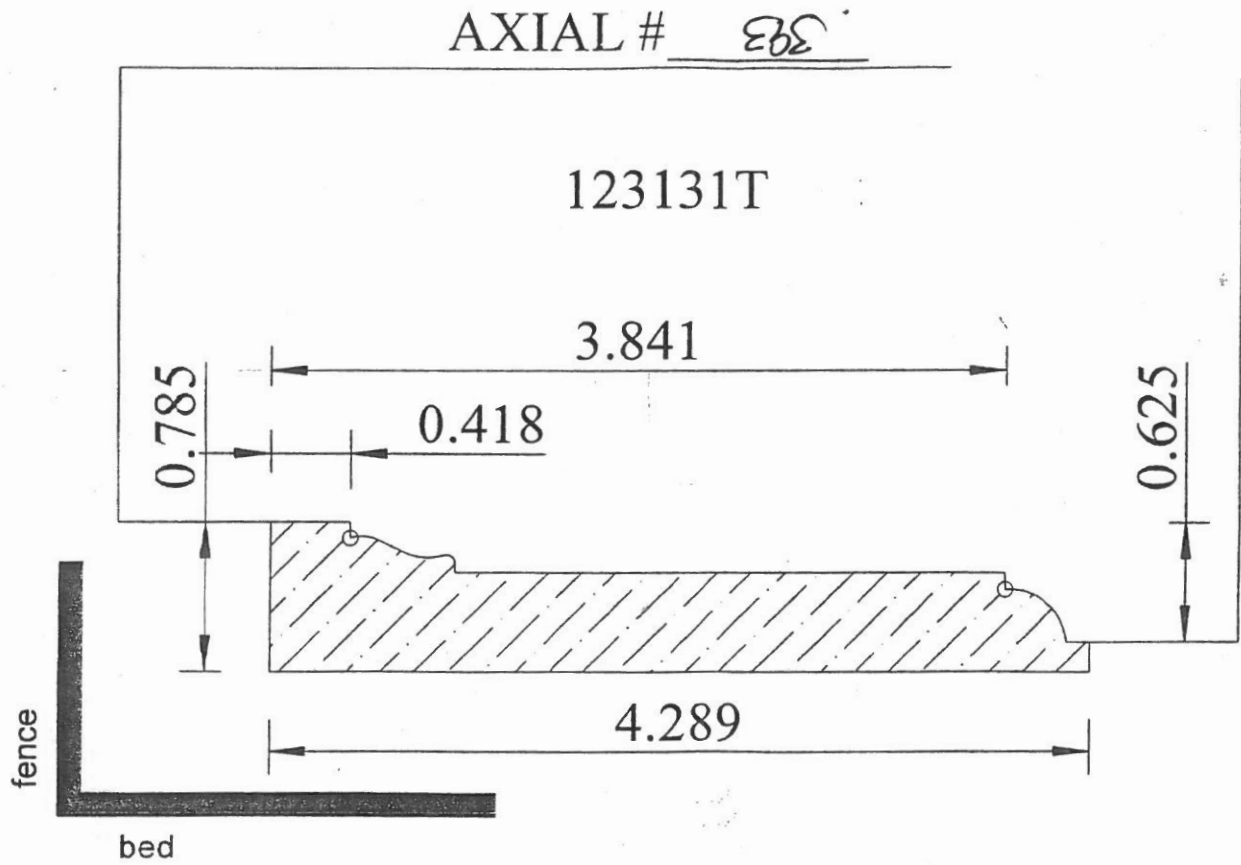
CASINGS
A-91





SPECIAL ORDER MOULDINGS

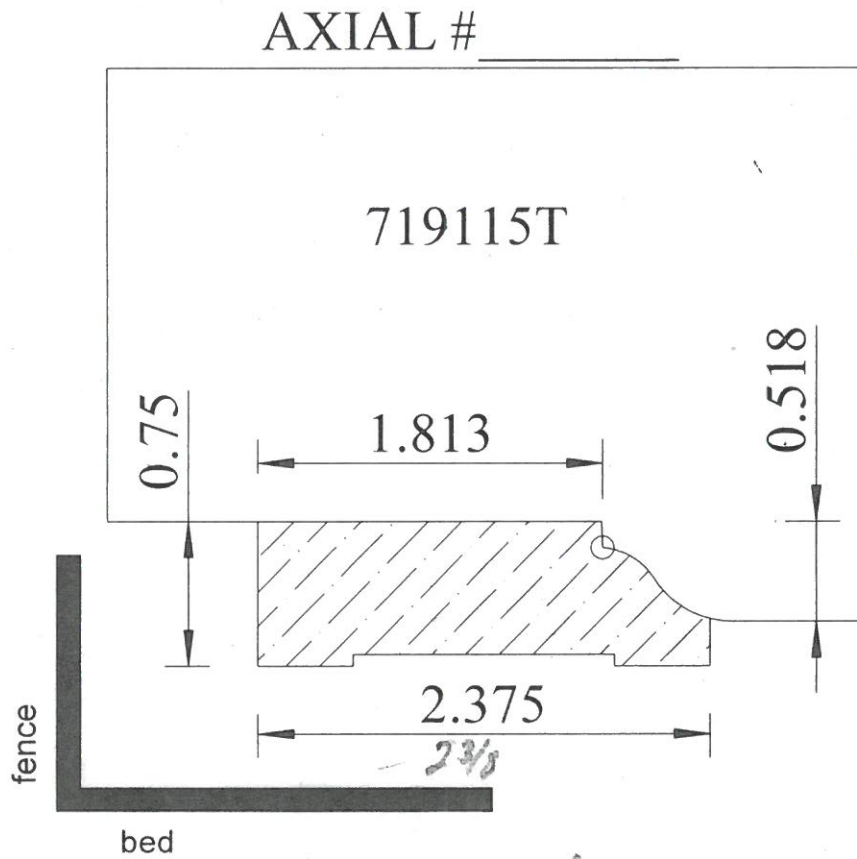
CASINGS A-95





SPECIAL ORDER MOULDINGS

CASINGS B-67

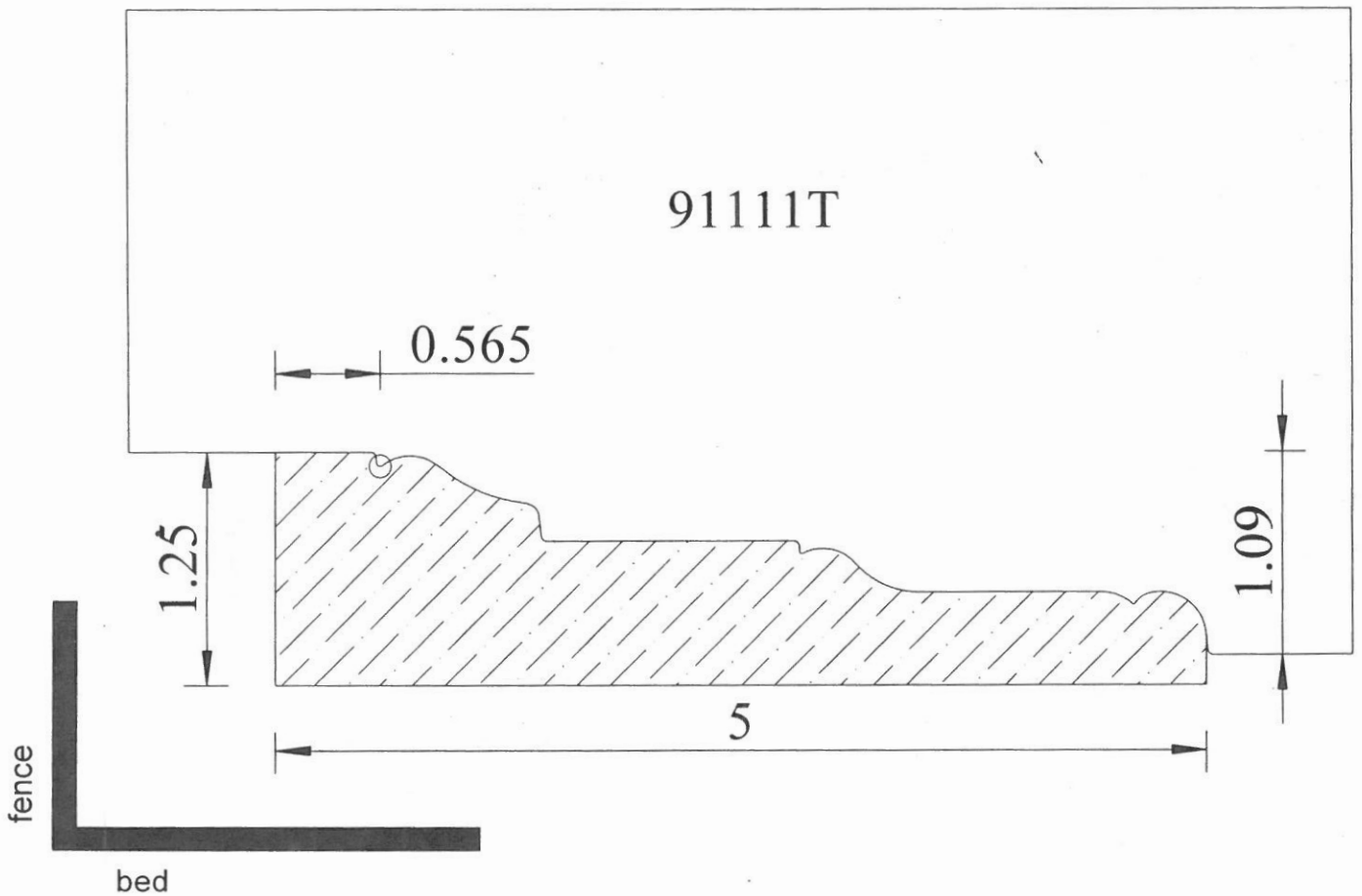




SPECIAL ORDER MOULDINGS

CASINGS B-72

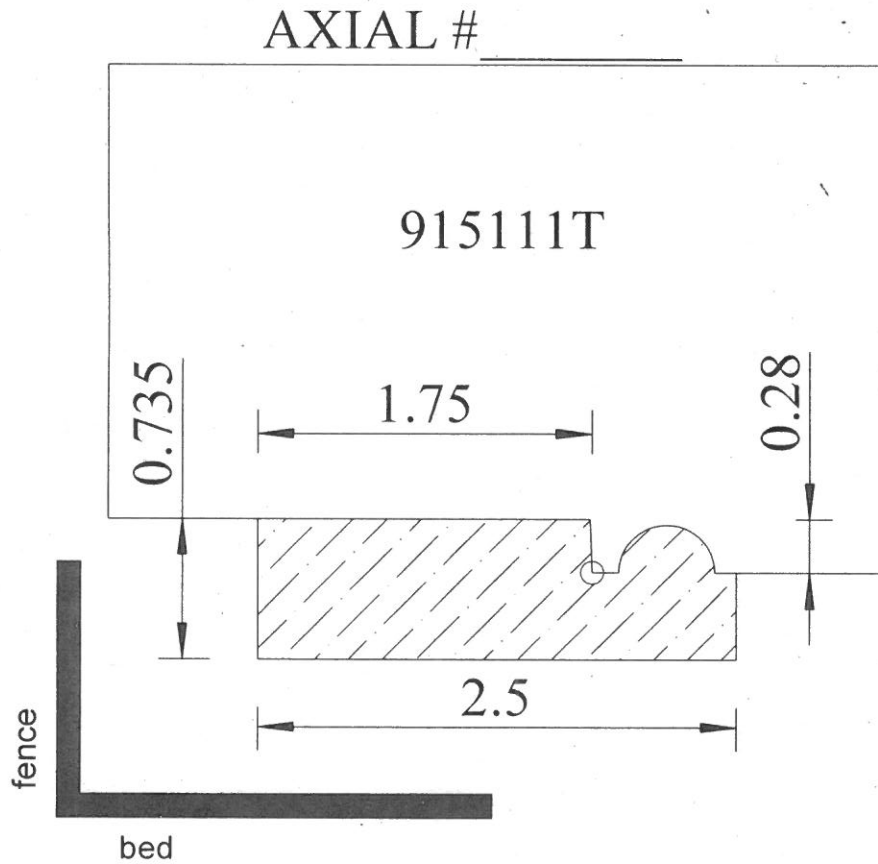
AXIAL # _____





SPECIAL ORDER MOULDINGS

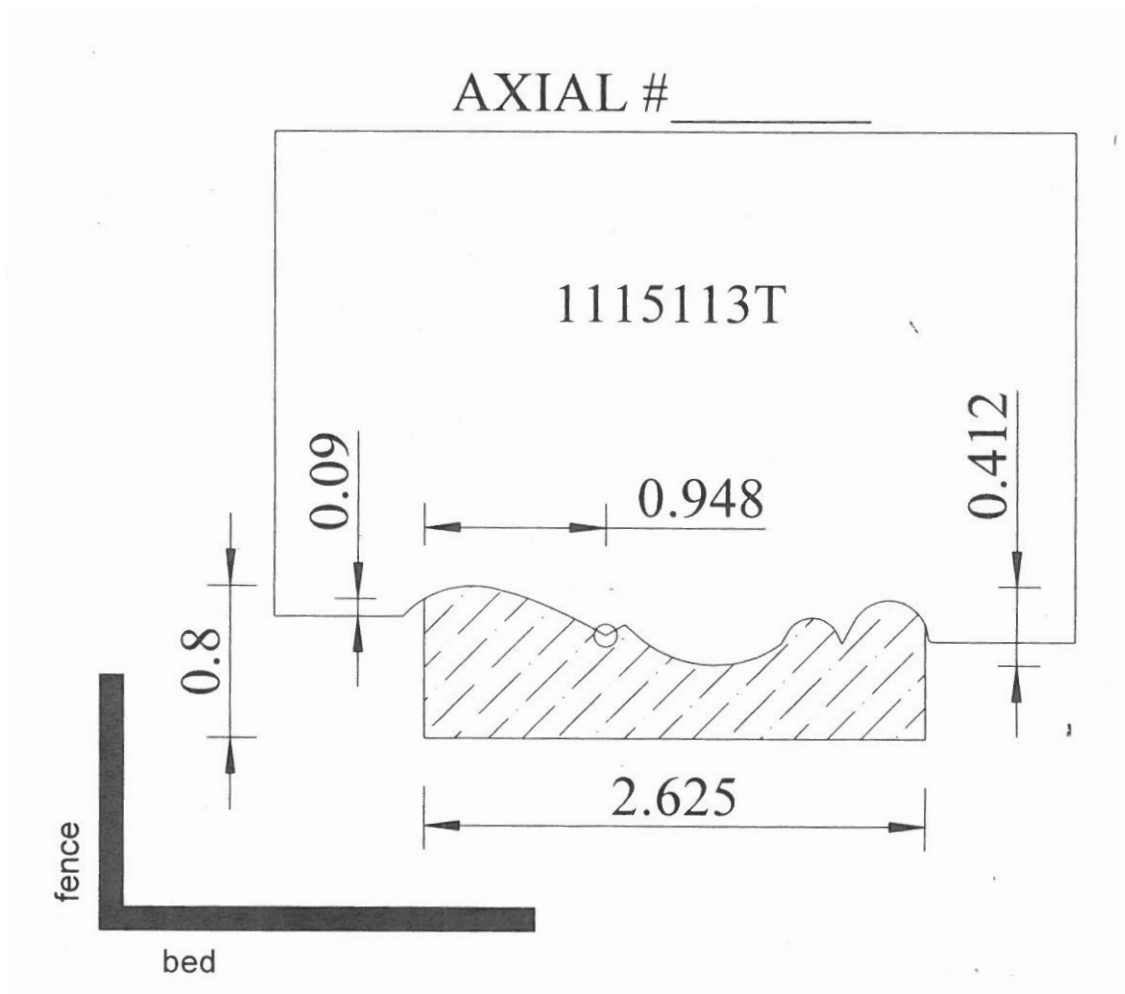
CASINGS B-75





SPECIAL ORDER MOULDINGS

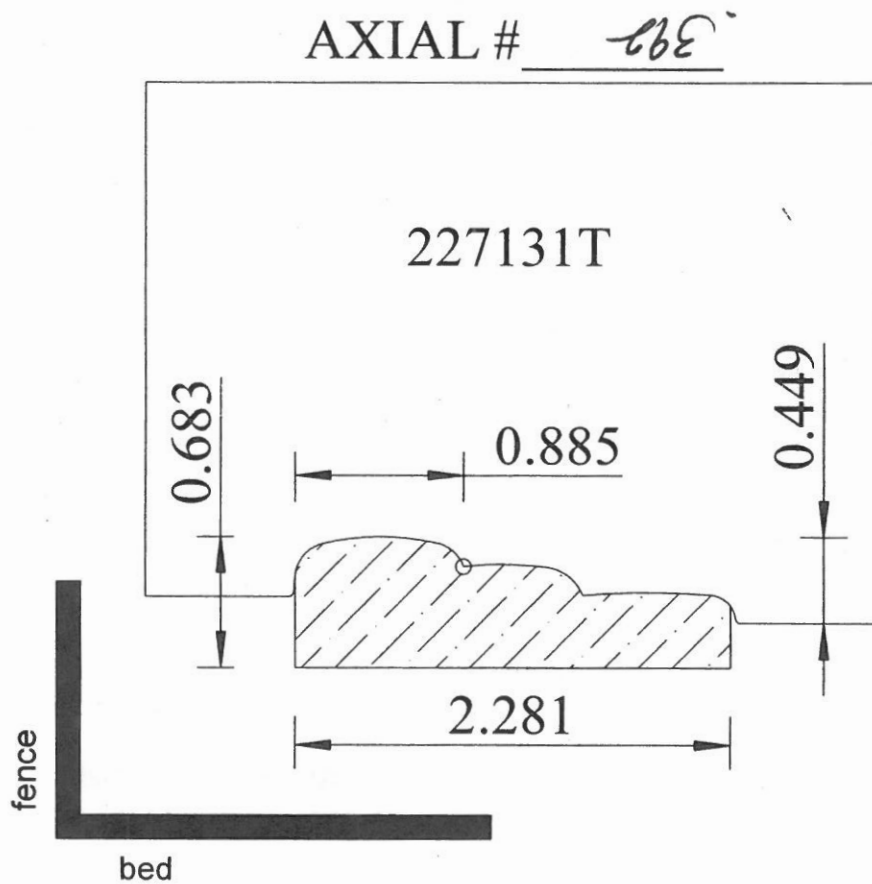
CASINGS B-78





SPECIAL ORDER MOULDINGS

CASINGS
B-80

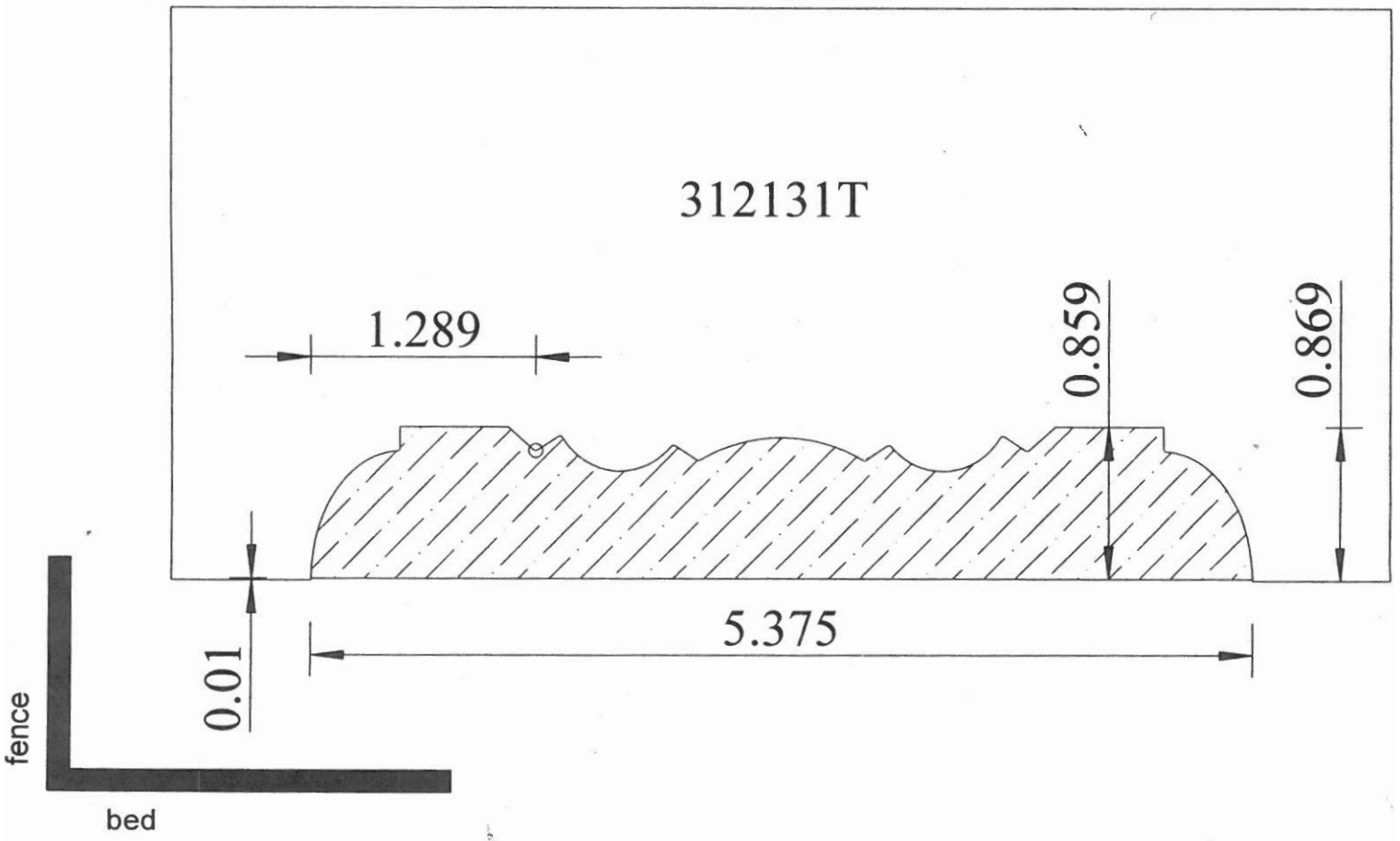




SPECIAL ORDER MOULDINGS

CASINGS
B-82

AXIAL # .393

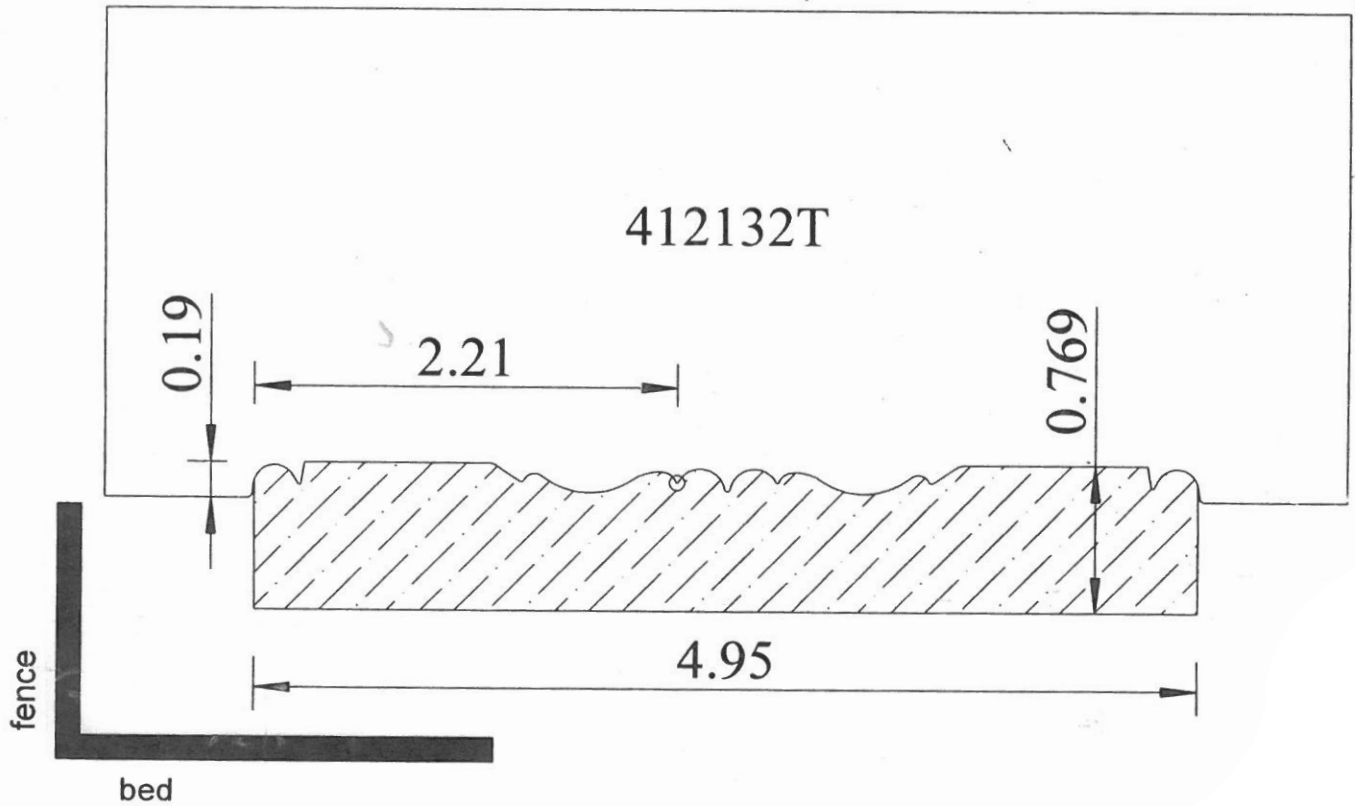




SPECIAL ORDER MOULDINGS

CASINGS
B-85

AXIAL # 738

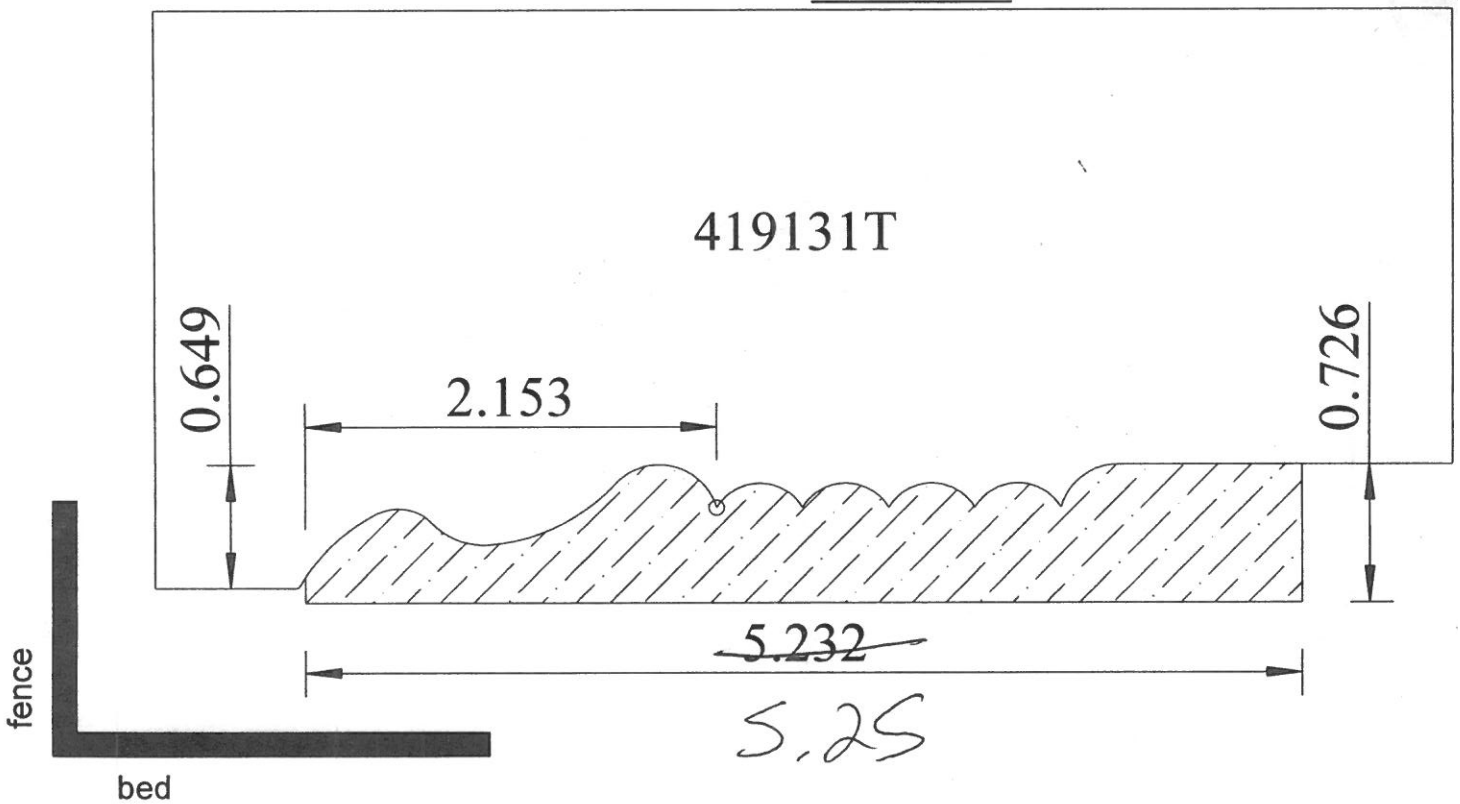




SPECIAL ORDER MOULDINGS

CASINGS
B-90

AXIAL # 128

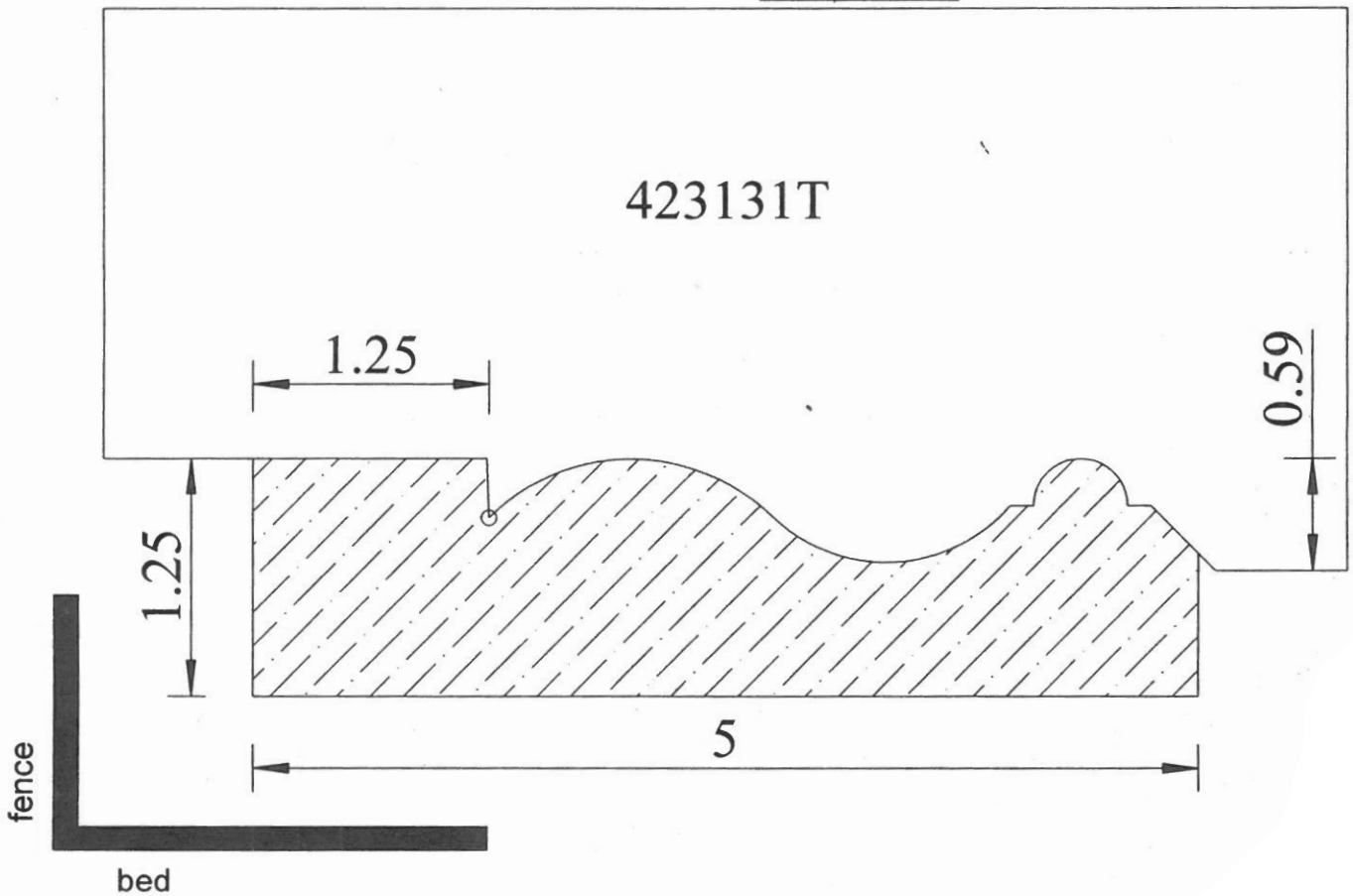




SPECIAL ORDER MOULDINGS

CASINGS
B-91

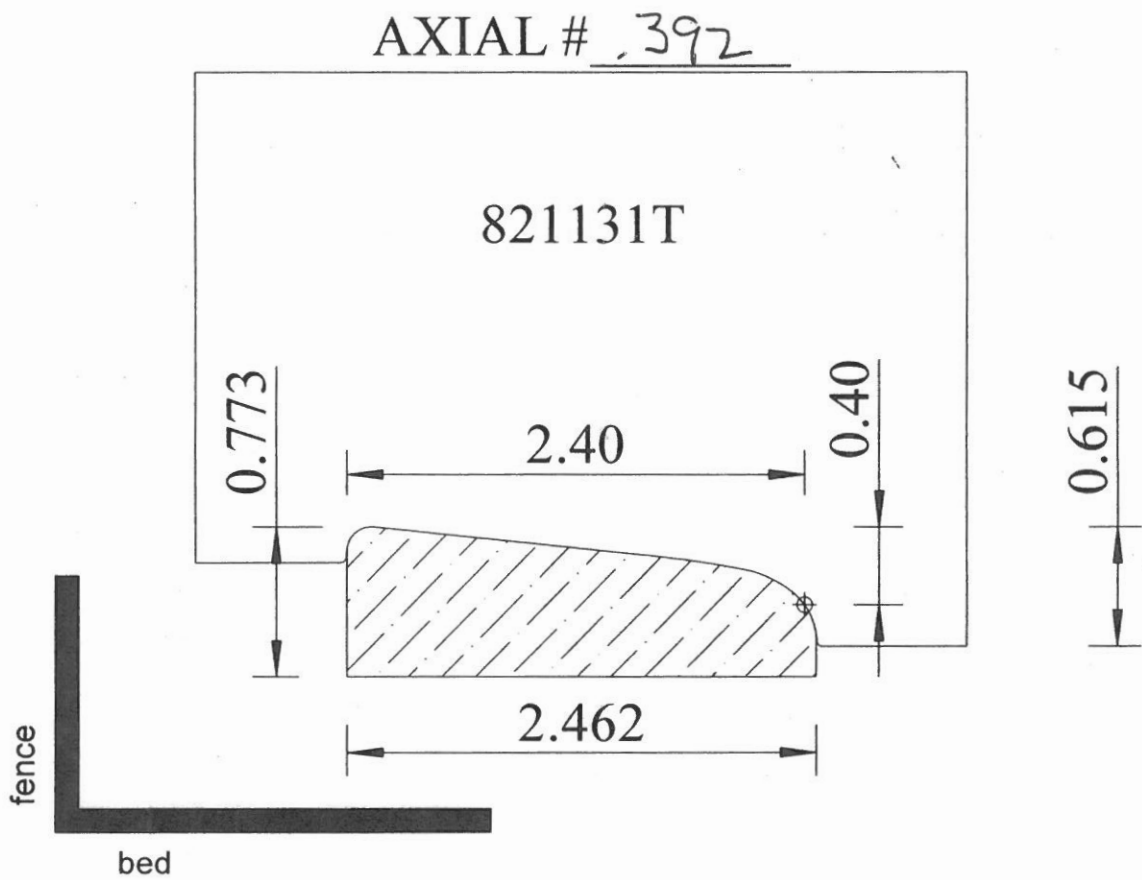
AXIAL # 868





SPECIAL ORDER MOULDINGS

CASINGS B-96

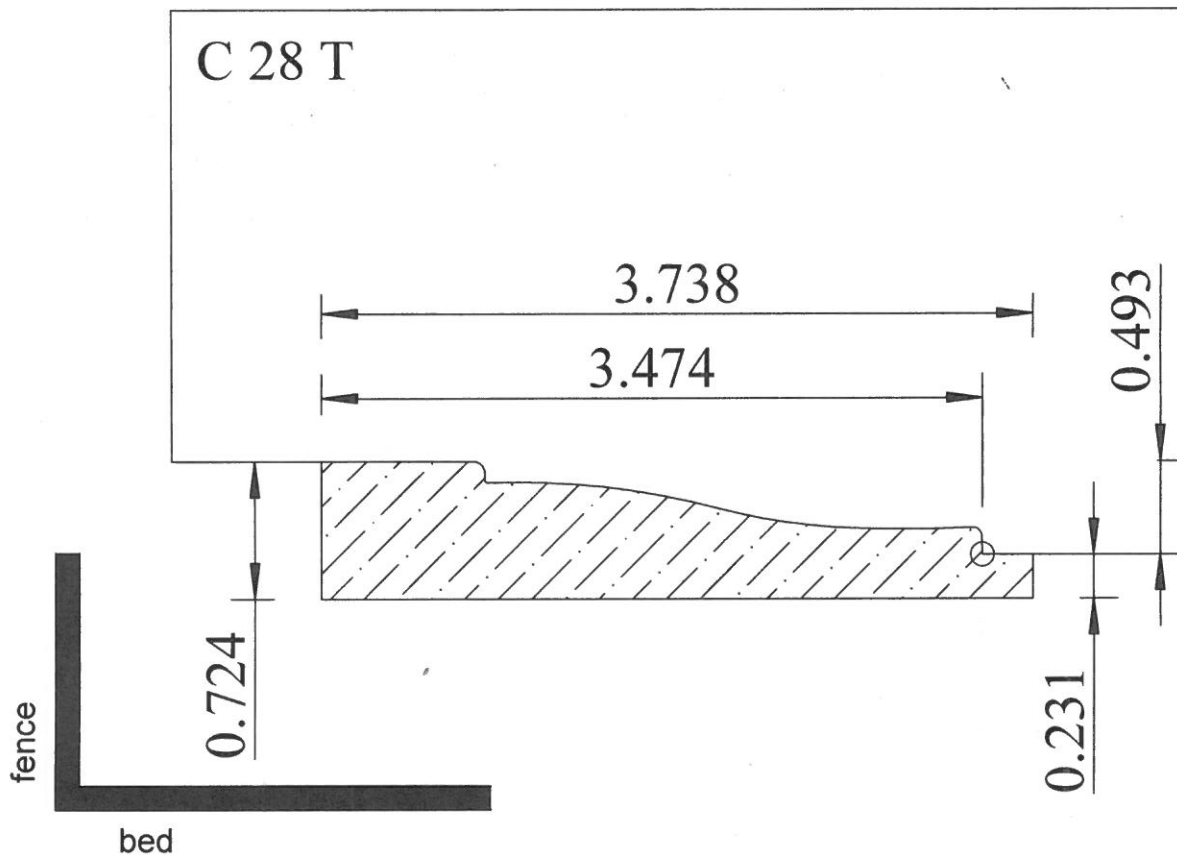




SPECIAL ORDER MOULDINGS

CASINGS C-28

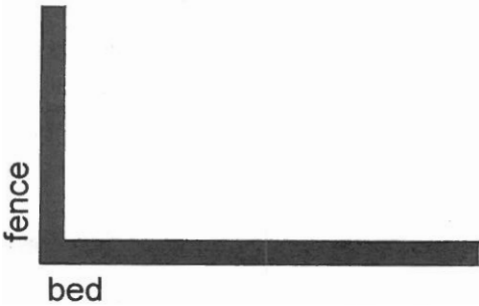
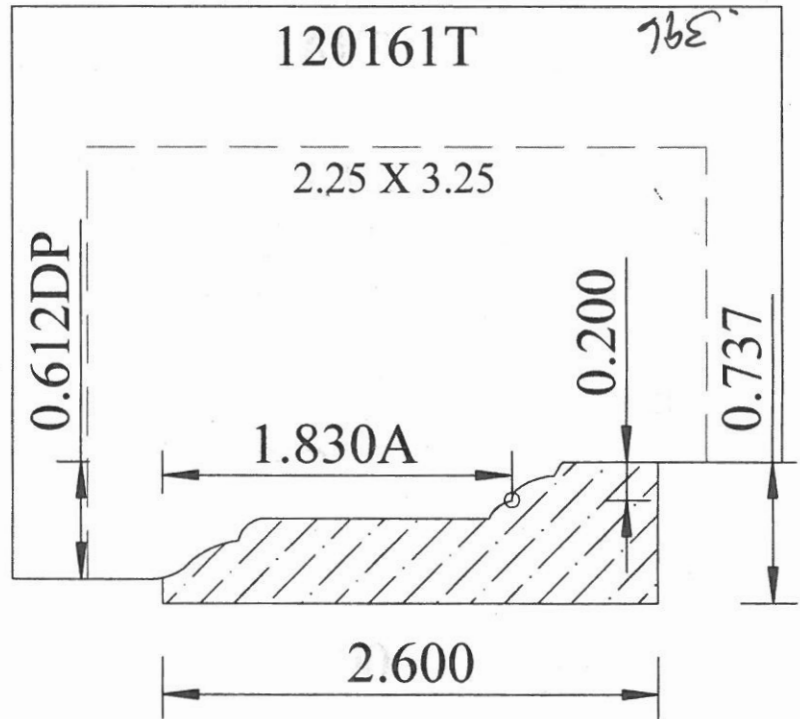
AXIAL # _____





SPECIAL ORDER MOULDINGS

CASINGS C-31

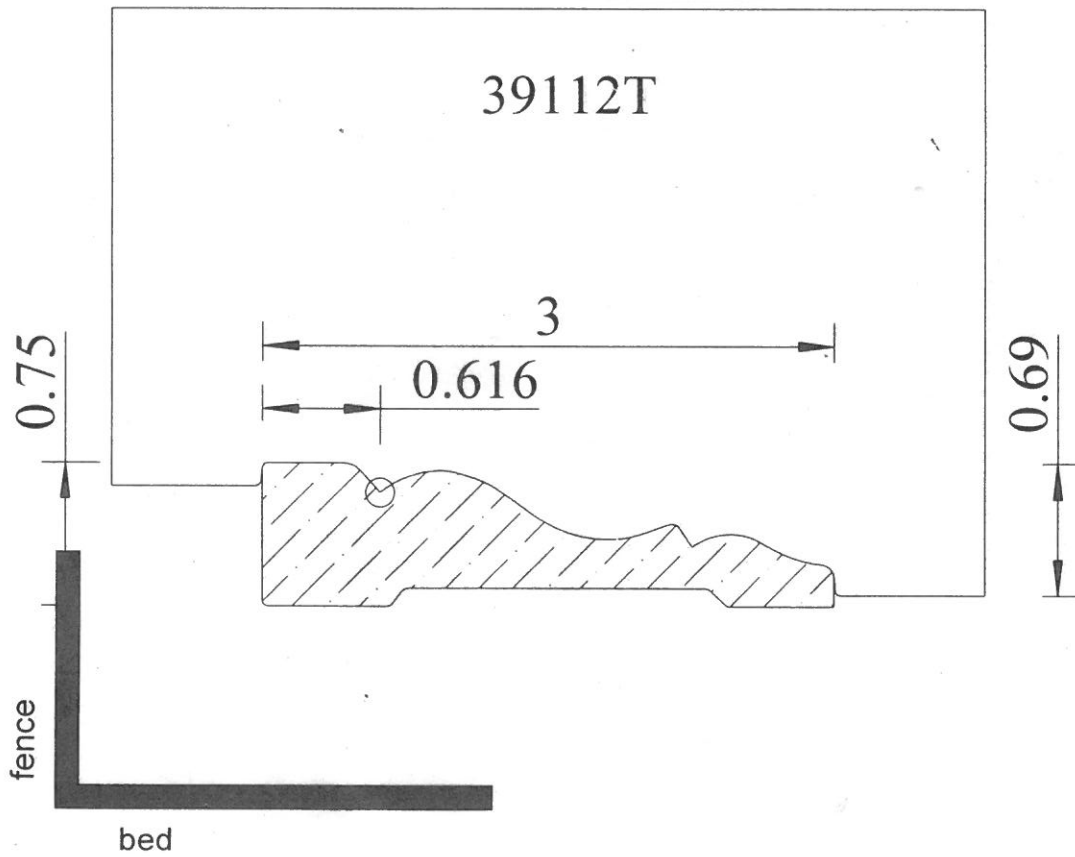




SPECIAL ORDER MOULDINGS

CASINGS C-34

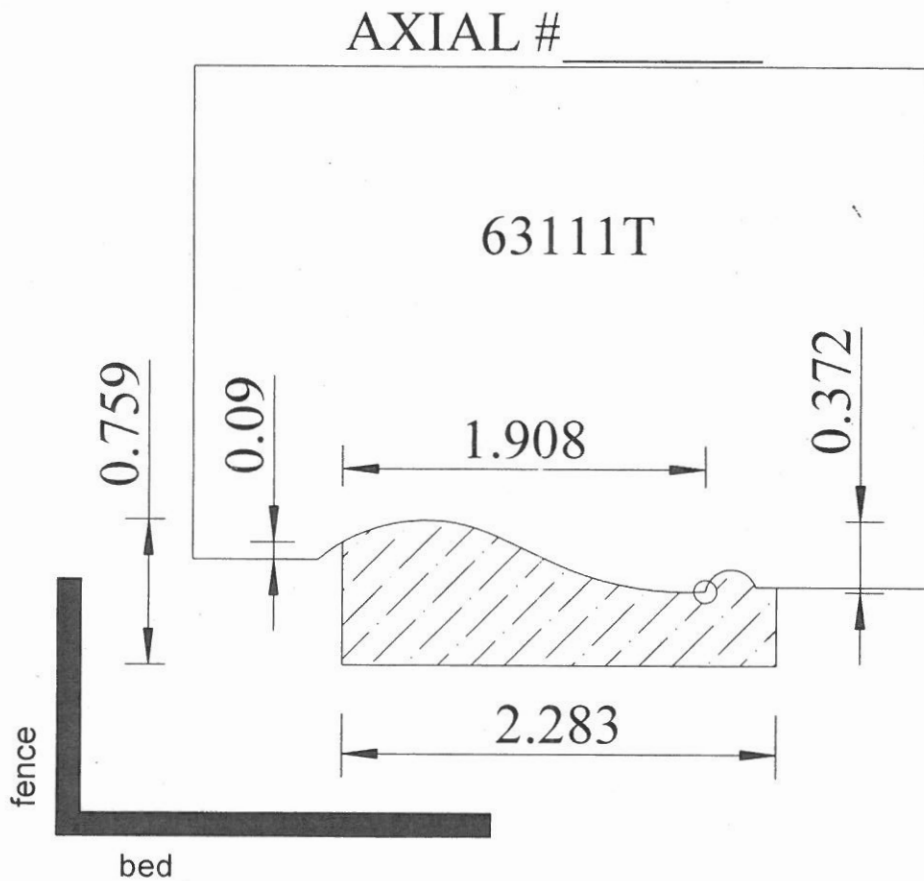
AXIAL # _____





SPECIAL ORDER MOULDINGS

CASINGS C-36

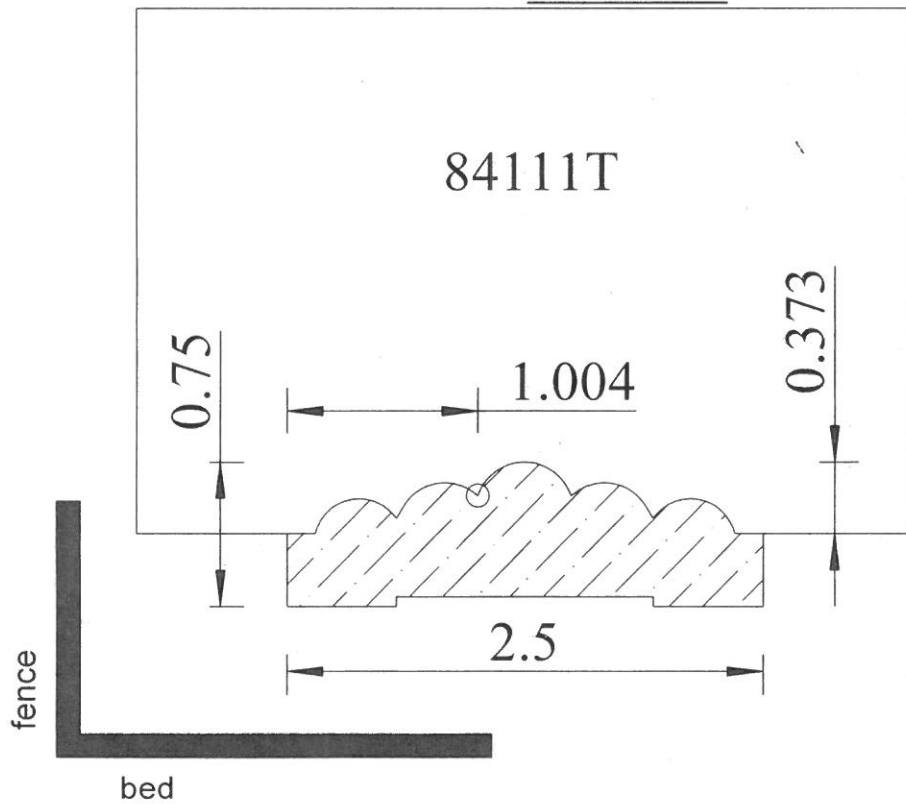




SPECIAL ORDER MOULDINGS

CASINGS C-42

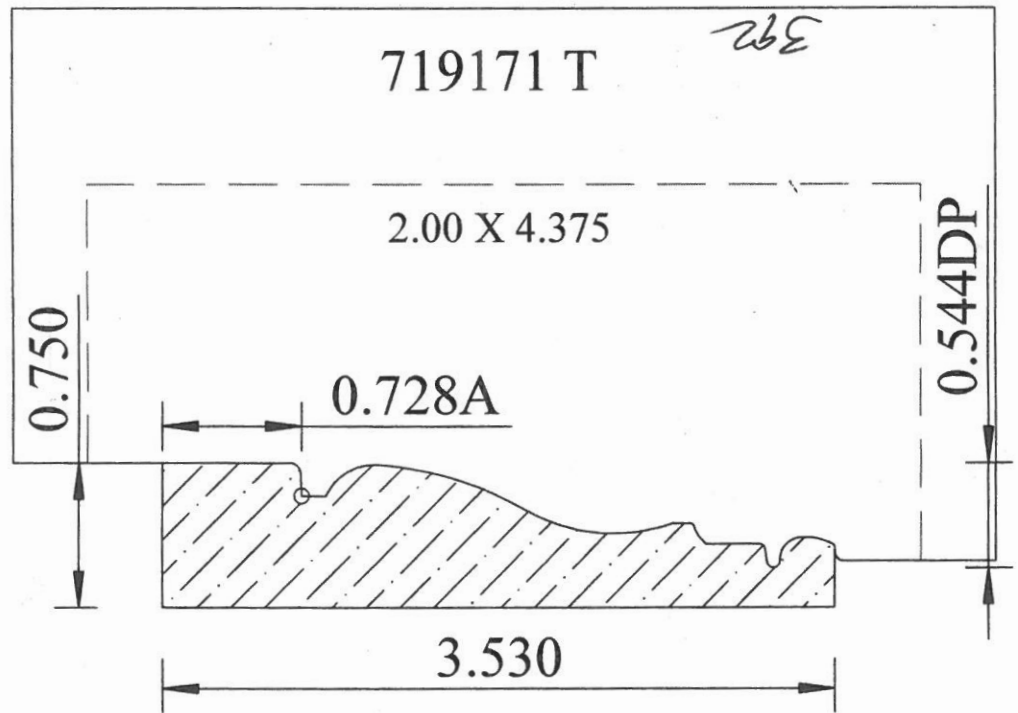
AXIAL #





SPECIAL ORDER MOULDINGS

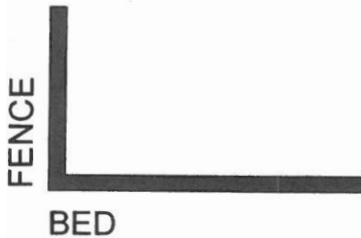
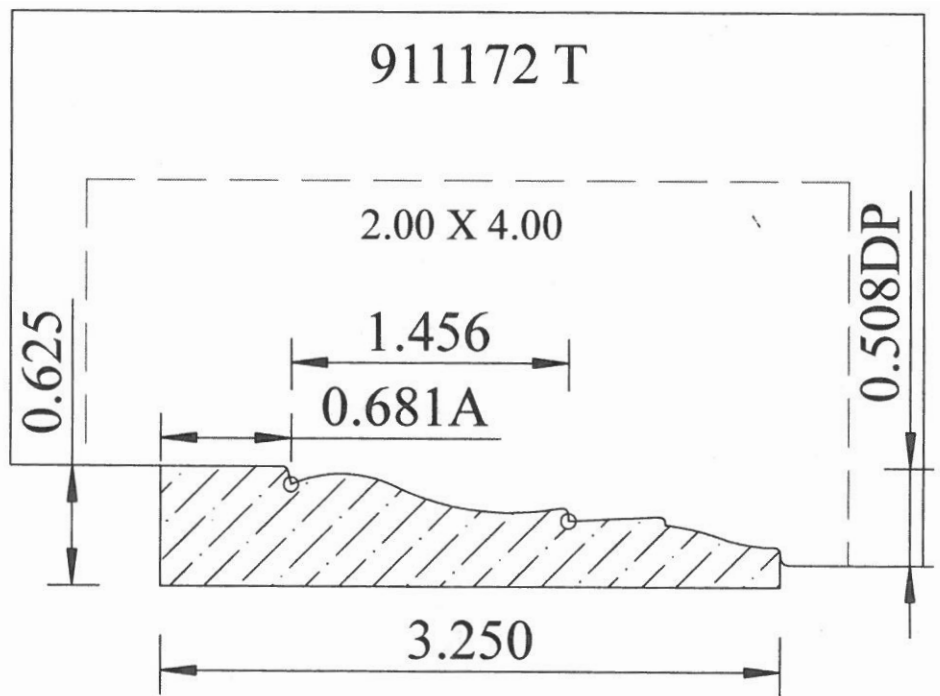
CASINGS C-52





SPECIAL ORDER MOULDINGS

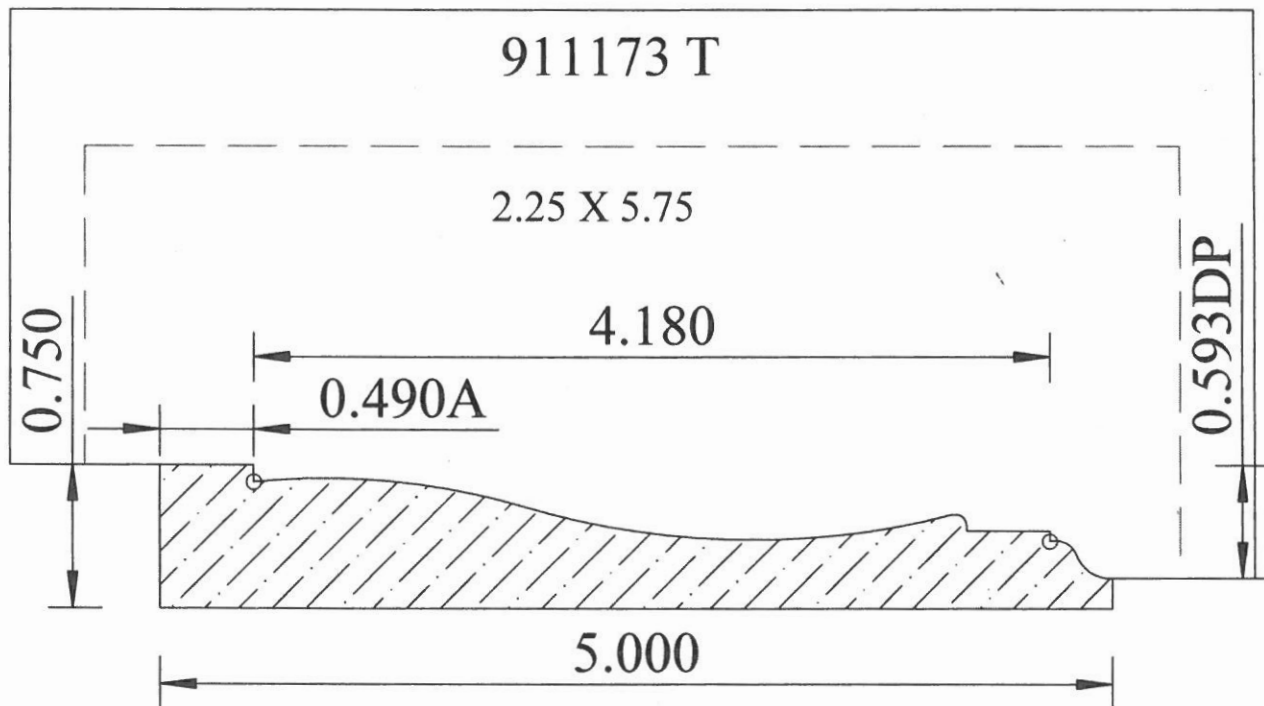
CASINGS C-56





SPECIAL ORDER MOULDINGS

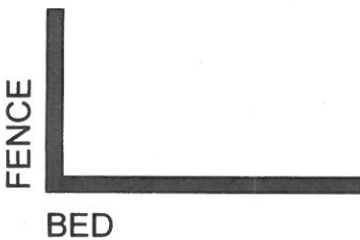
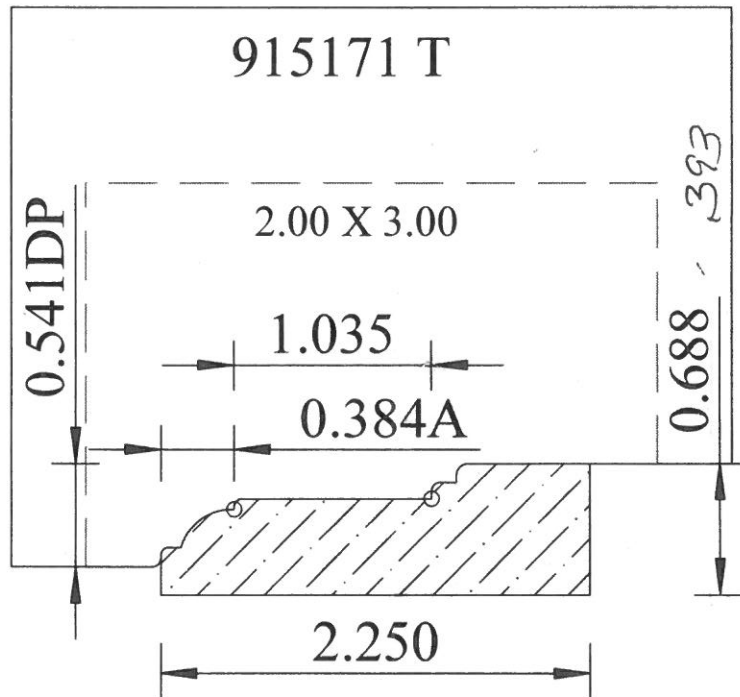
CASINGS C-57





SPECIAL ORDER MOULDINGS

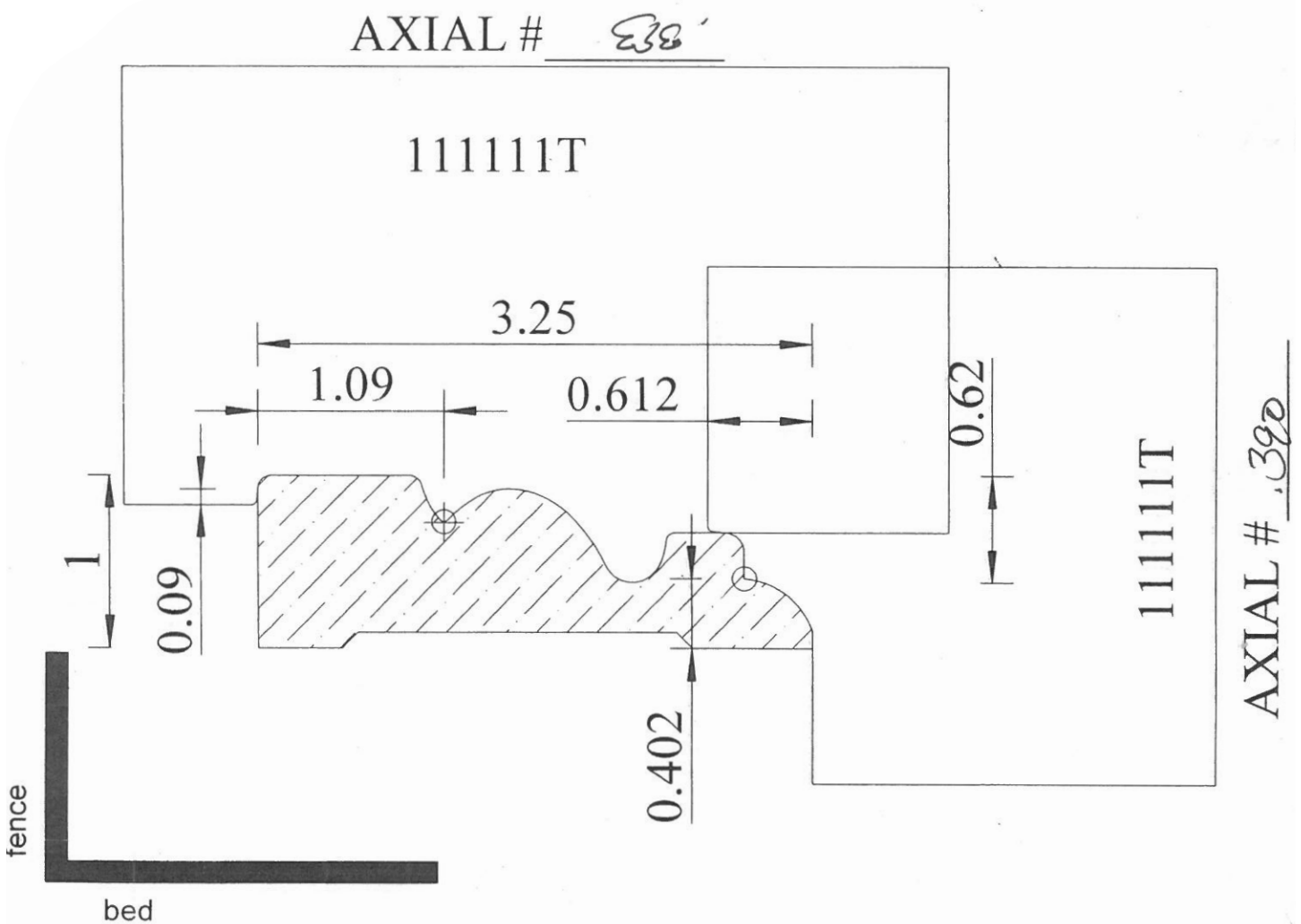
CASINGS C-59





SPECIAL ORDER MOULDINGS

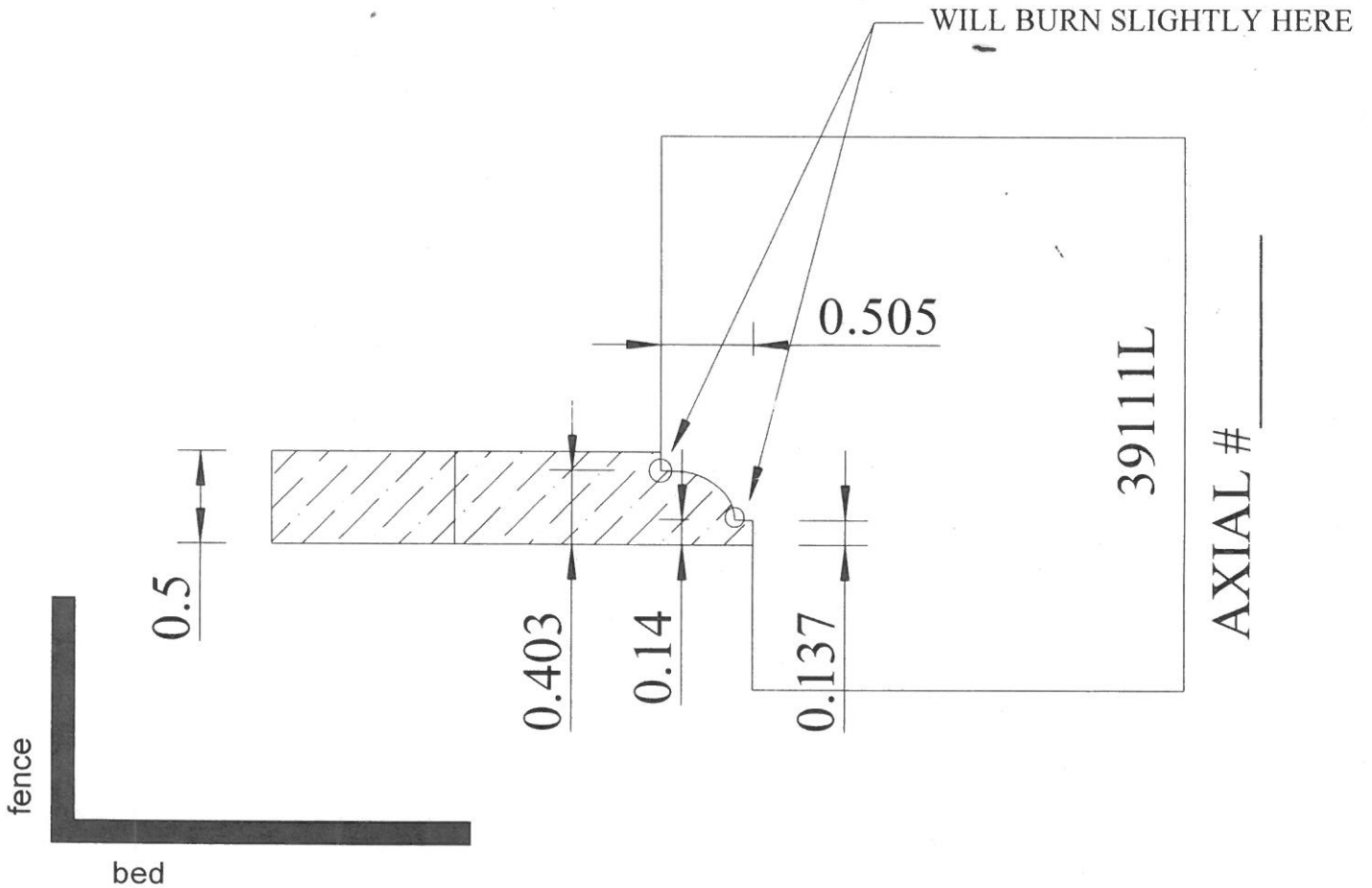
CASINGS C-66





SPECIAL ORDER MOULDINGS

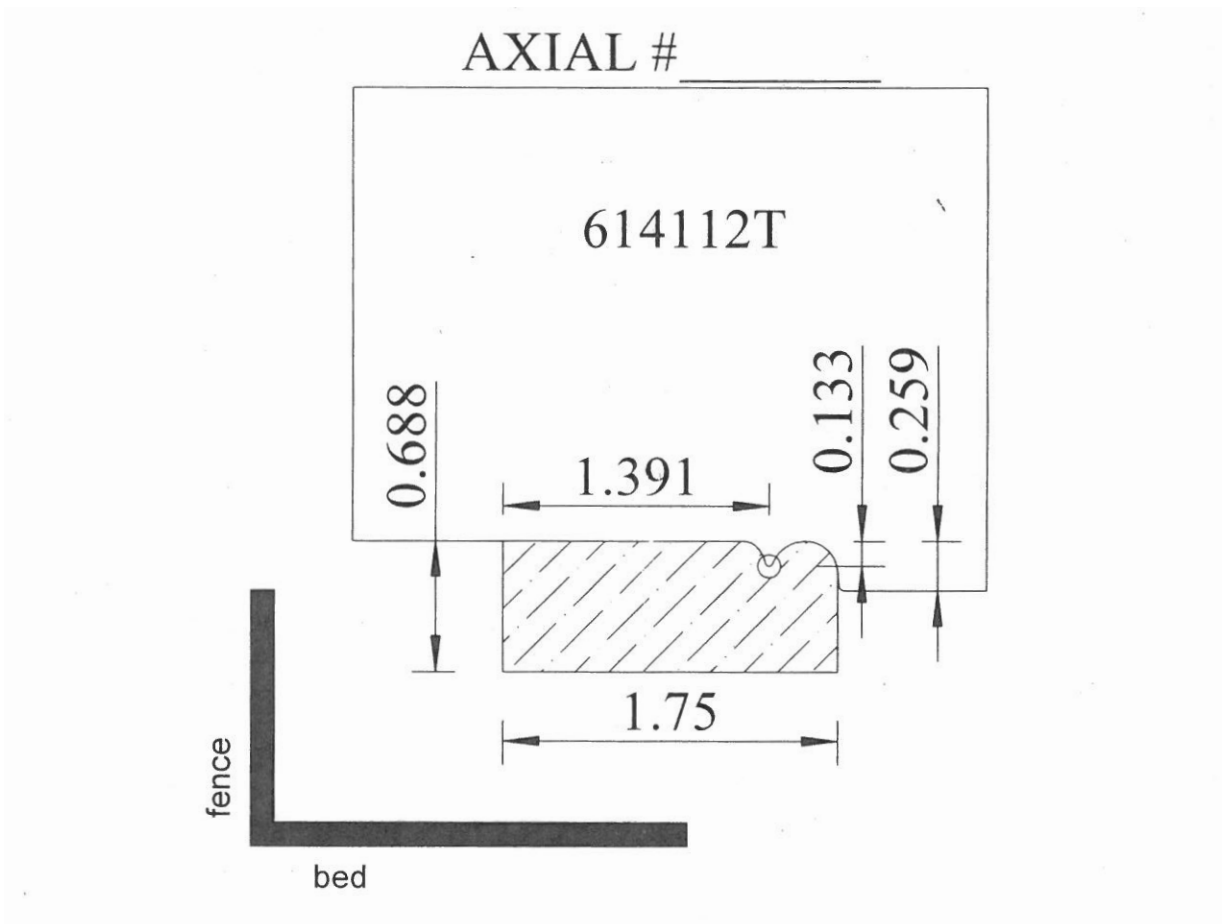
CASINGS C-67





SPECIAL ORDER MOULDINGS

CASINGS C-77

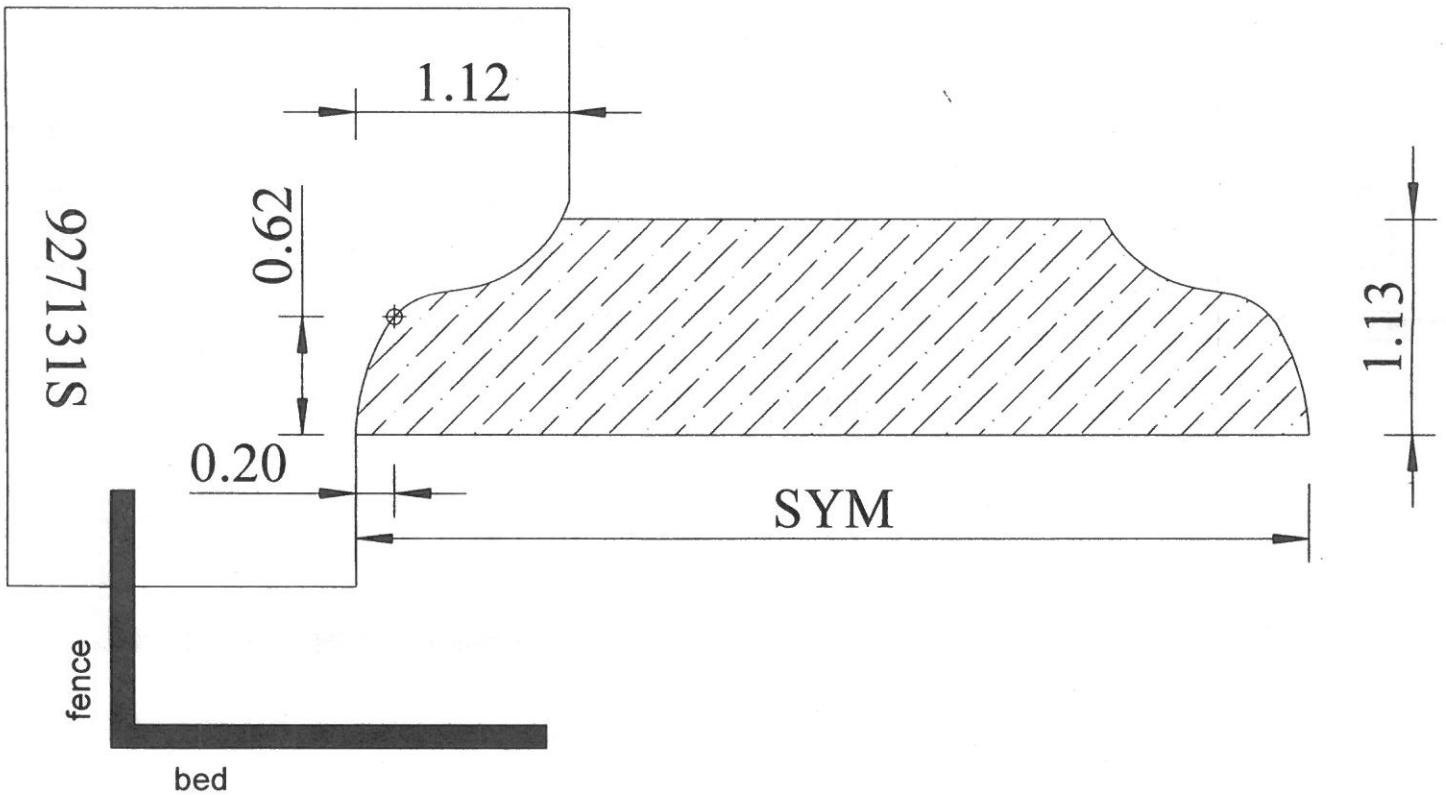




SPECIAL ORDER MOULDINGS

CASINGS C-84

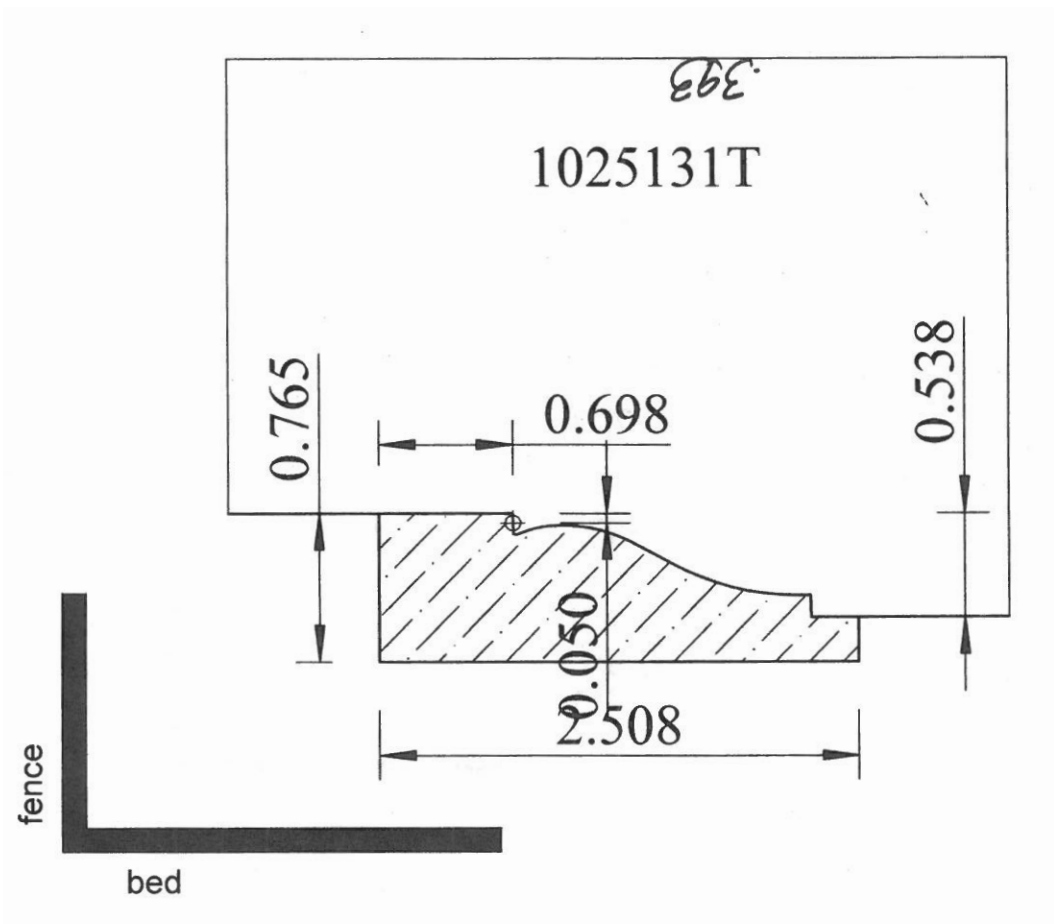
392L
AXIAL # 392R





SPECIAL ORDER MOULDINGS

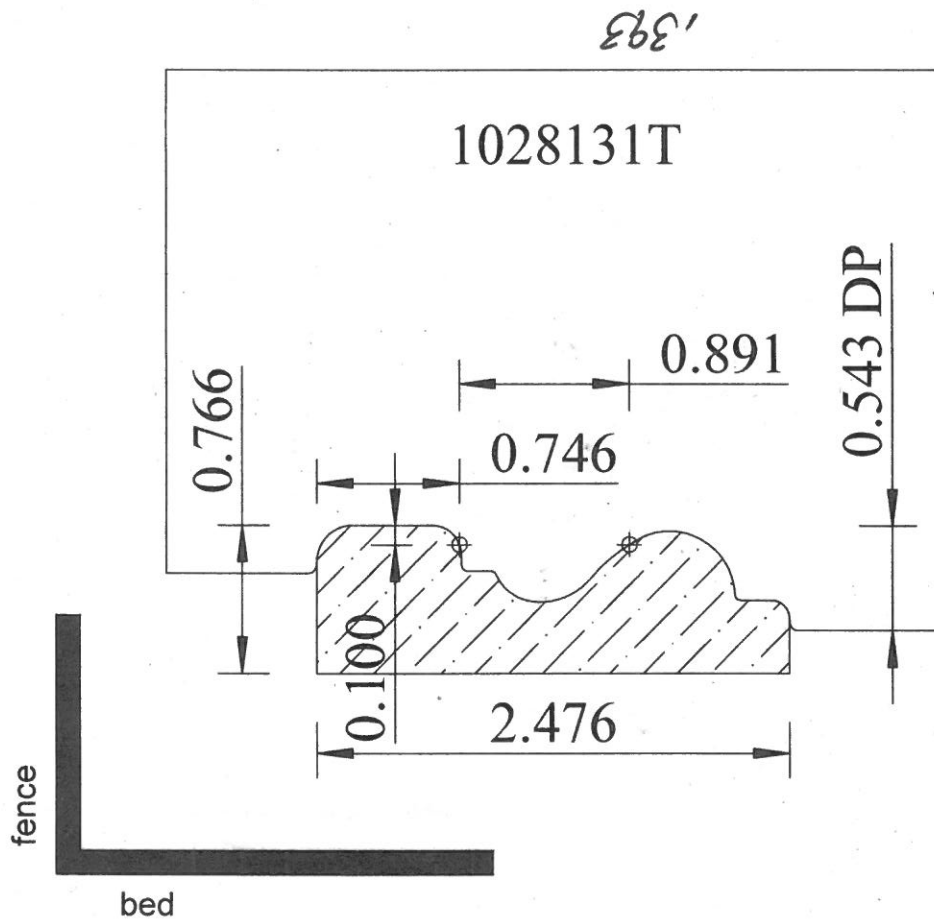
CASINGS C-88





SPECIAL ORDER MOULDINGS

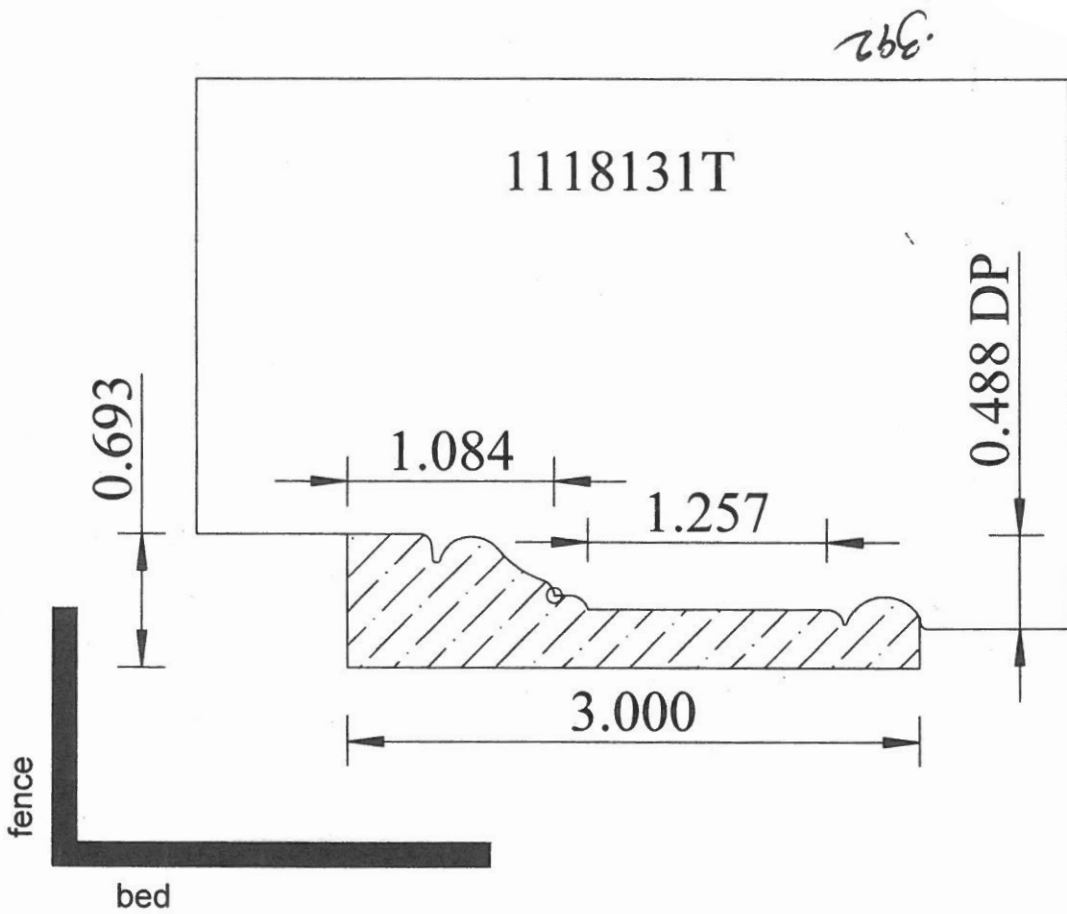
CASINGS C-89





SPECIAL ORDER MOULDINGS

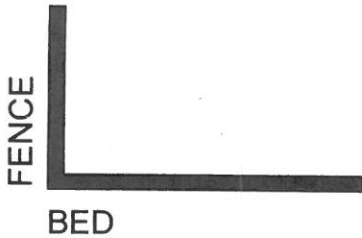
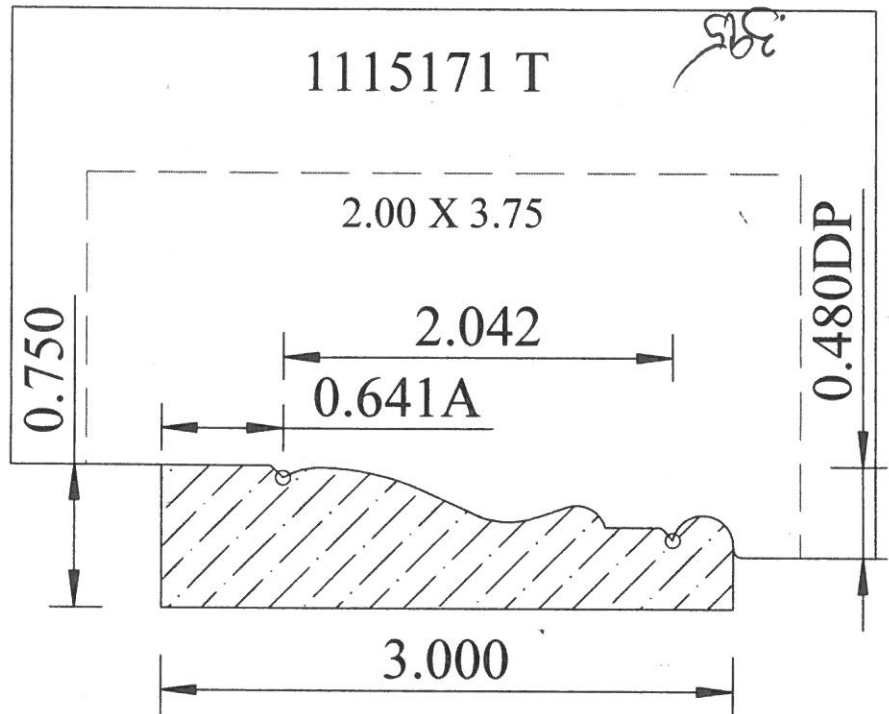
CASINGS C-90





SPECIAL ORDER MOULDINGS

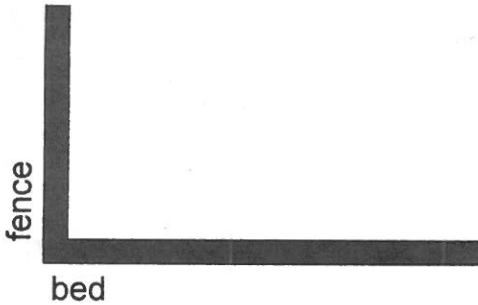
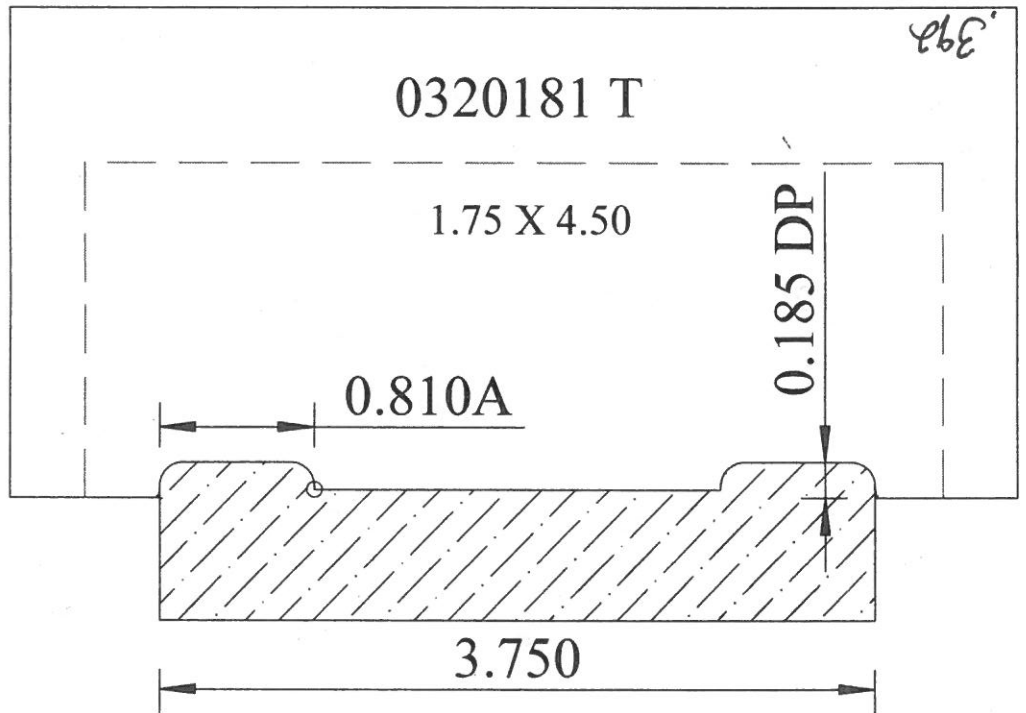
CASINGS D-51





SPECIAL ORDER MOULDINGS

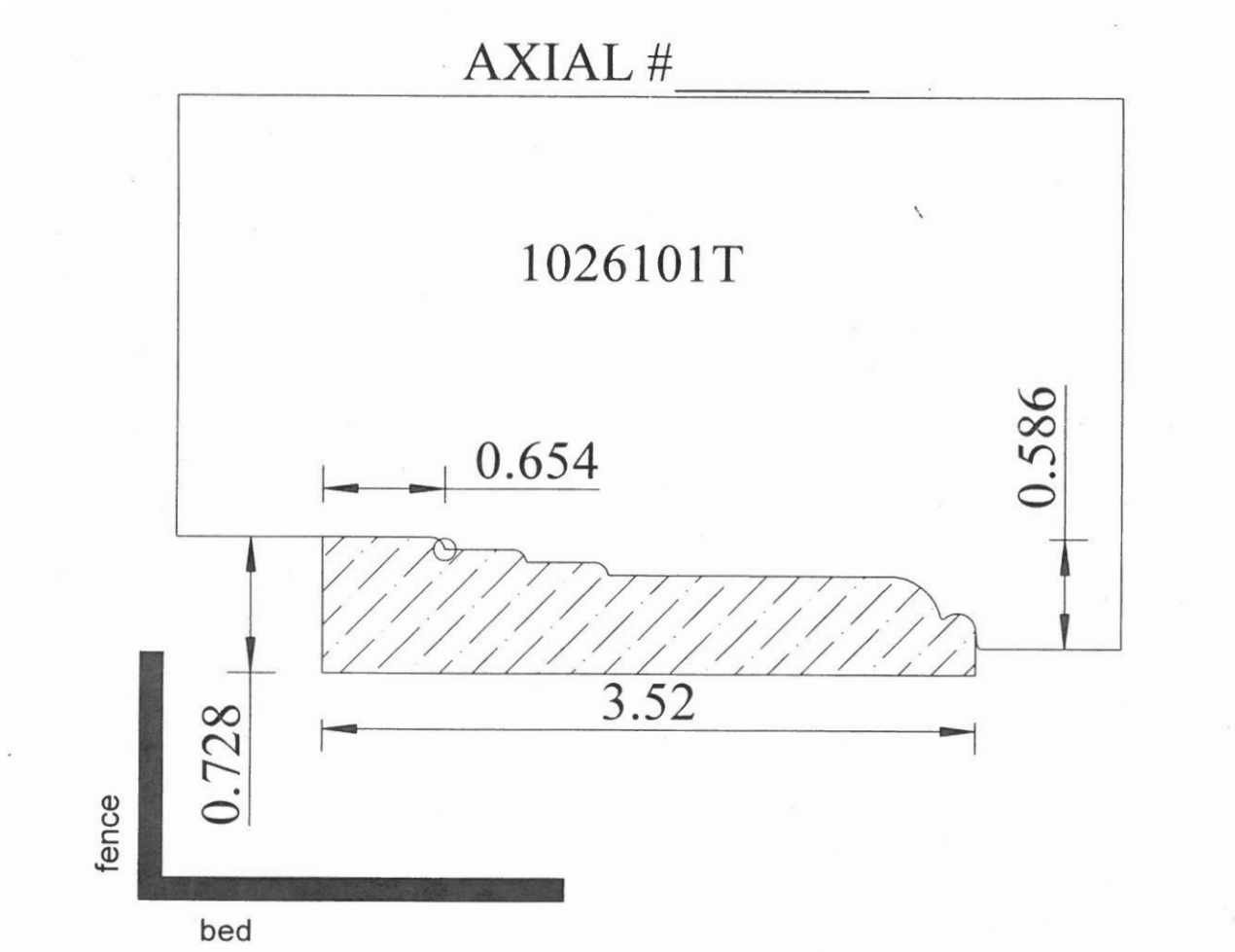
CASINGS D-57





SPECIAL ORDER MOULDINGS

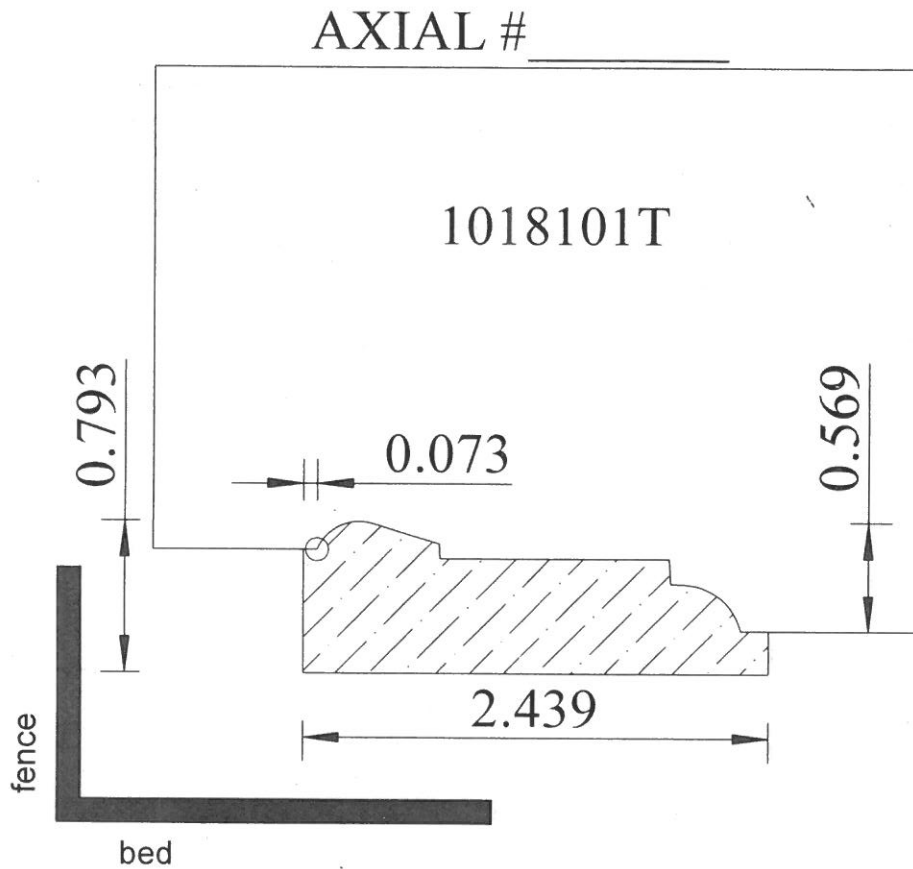
CASINGS D-63





SPECIAL ORDER MOULDINGS

CASINGS D-64

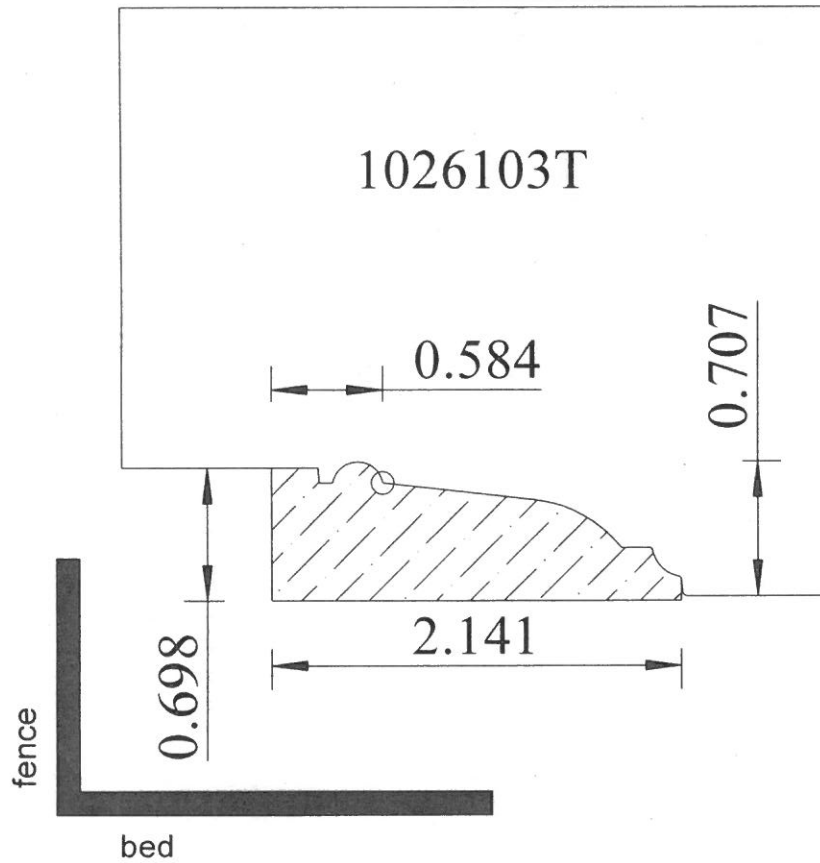




SPECIAL ORDER MOULDINGS

CASINGS D-66

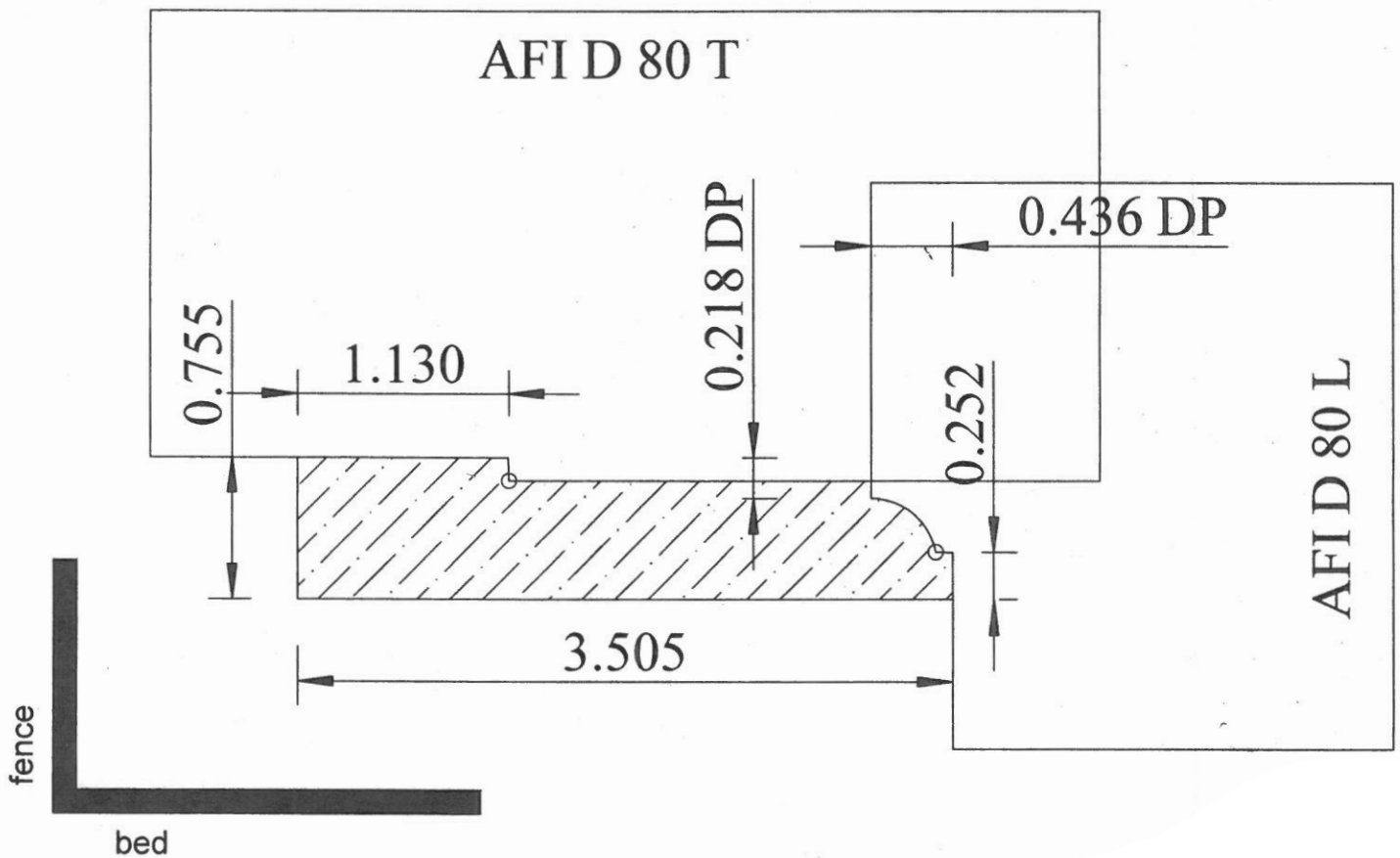
AXIAL # _____





SPECIAL ORDER MOULDINGS

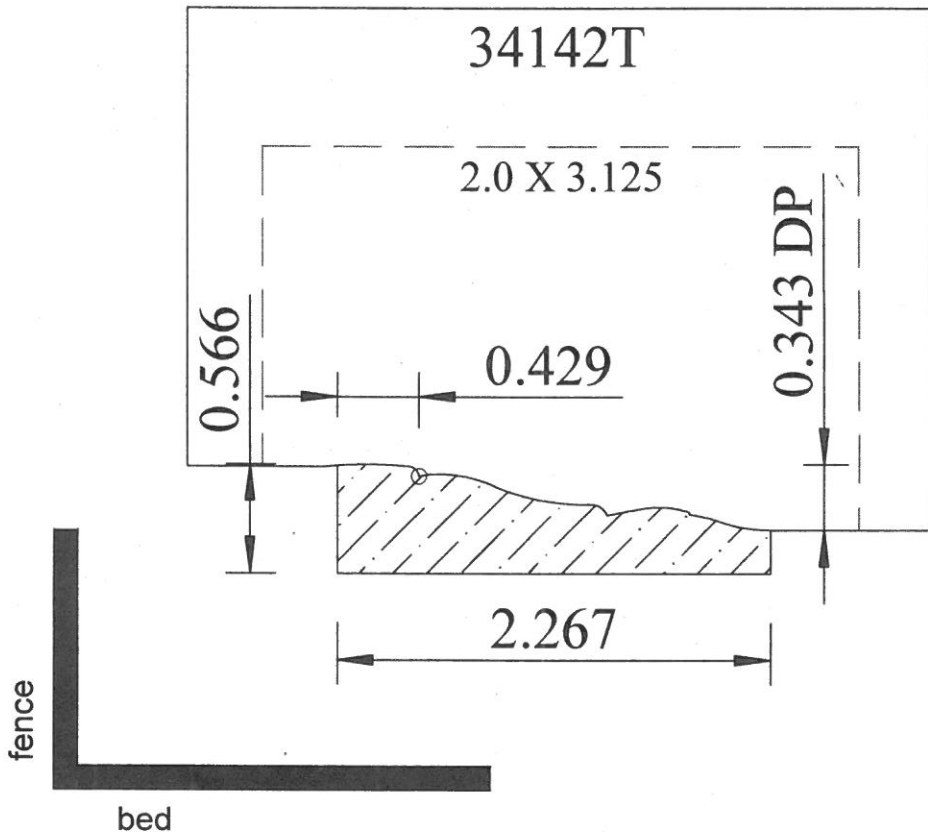
CASINGS D-80





SPECIAL ORDER MOULDINGS

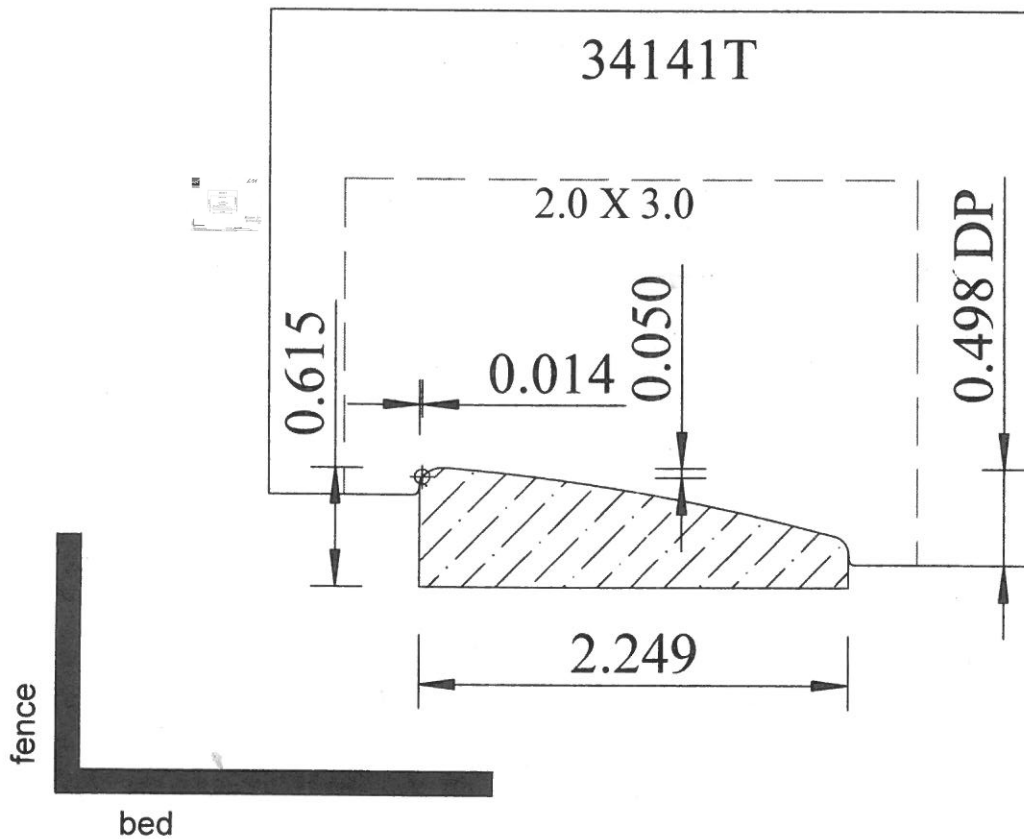
CASINGS D-94





SPECIAL ORDER MOULDINGS

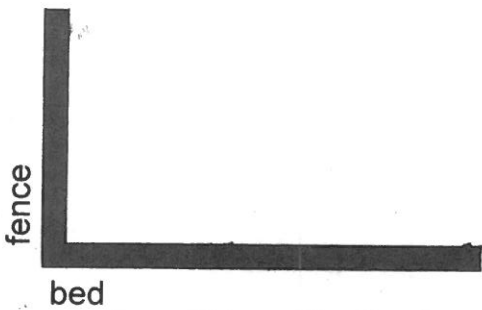
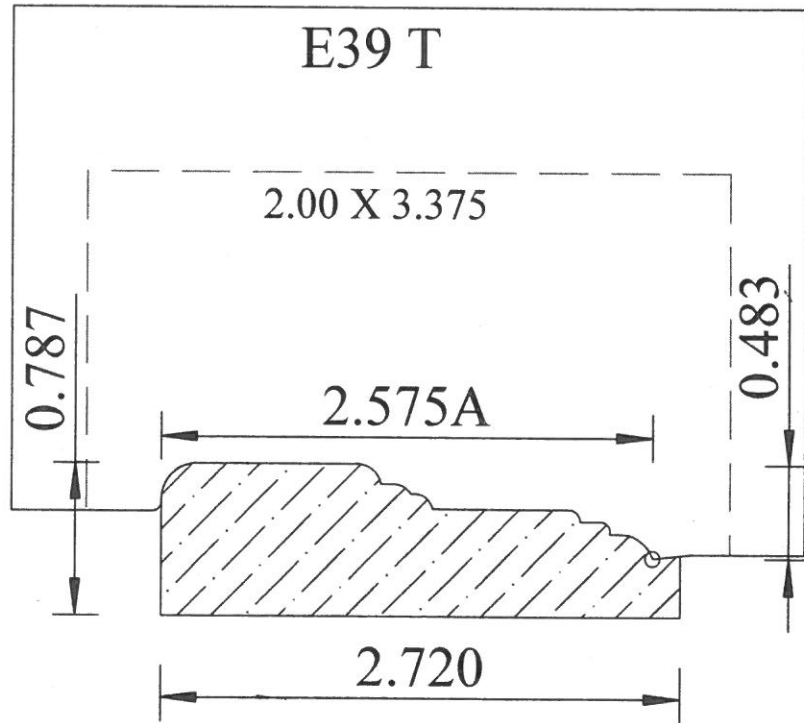
CASINGS D-95





SPECIAL ORDER MOULDINGS

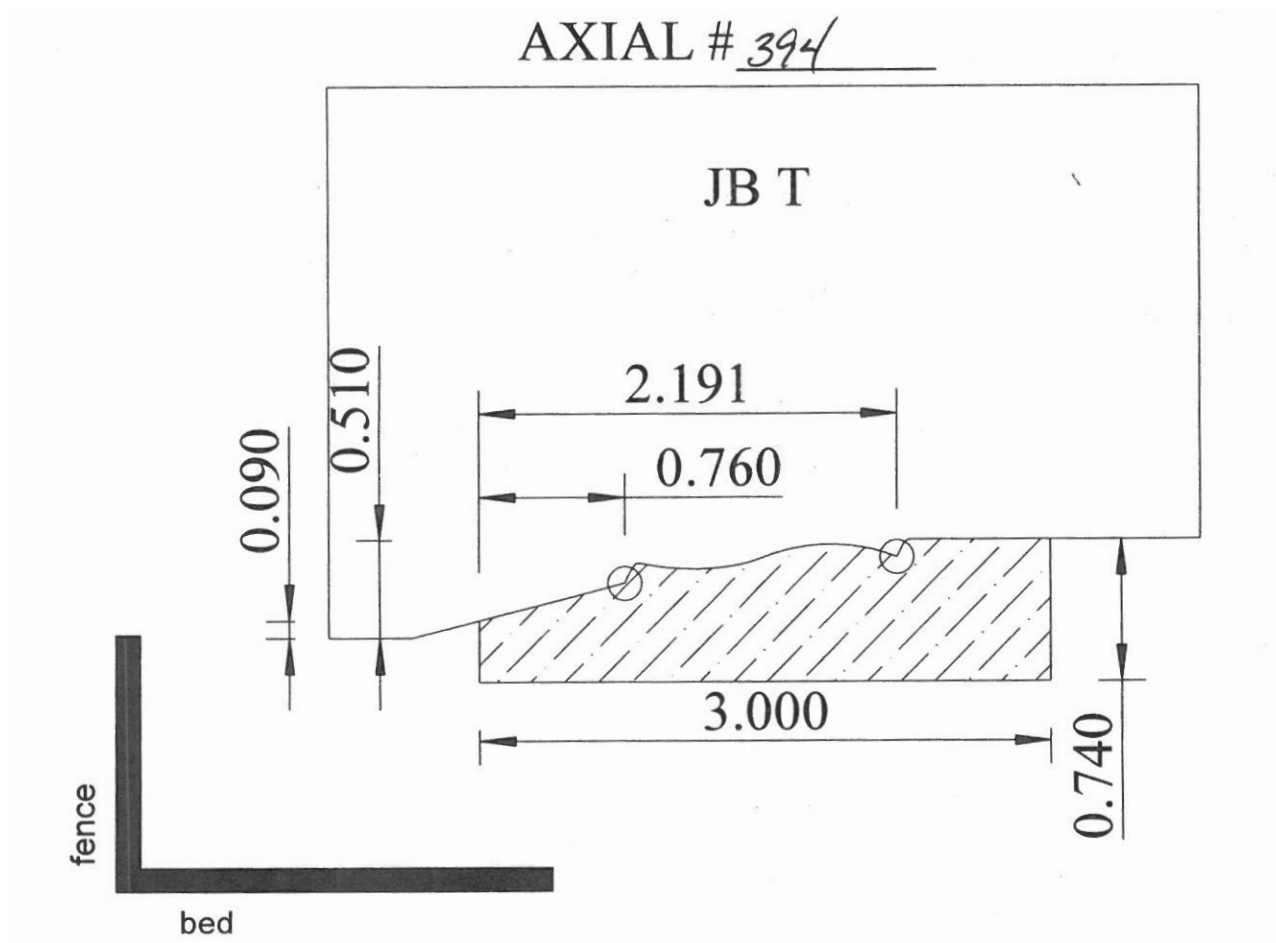
CASINGS E-39





SPECIAL ORDER MOULDINGS

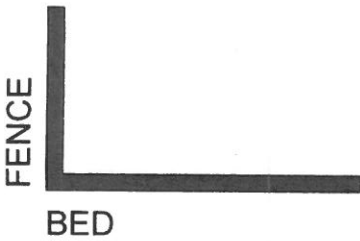
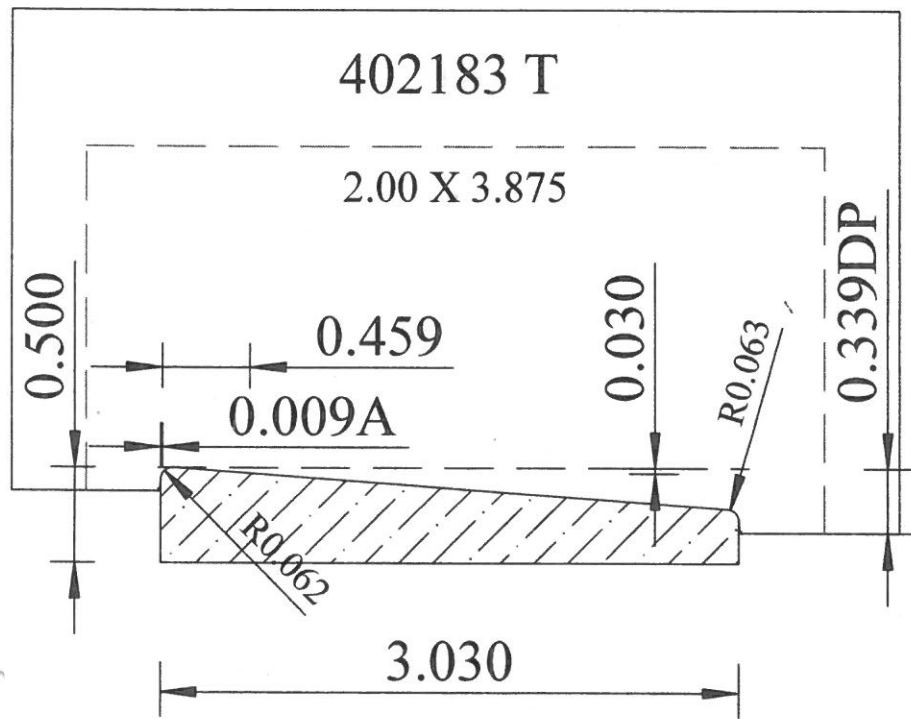
CASINGS E-51





SPECIAL ORDER MOULDINGS

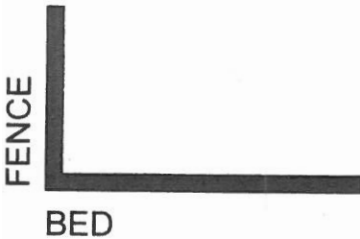
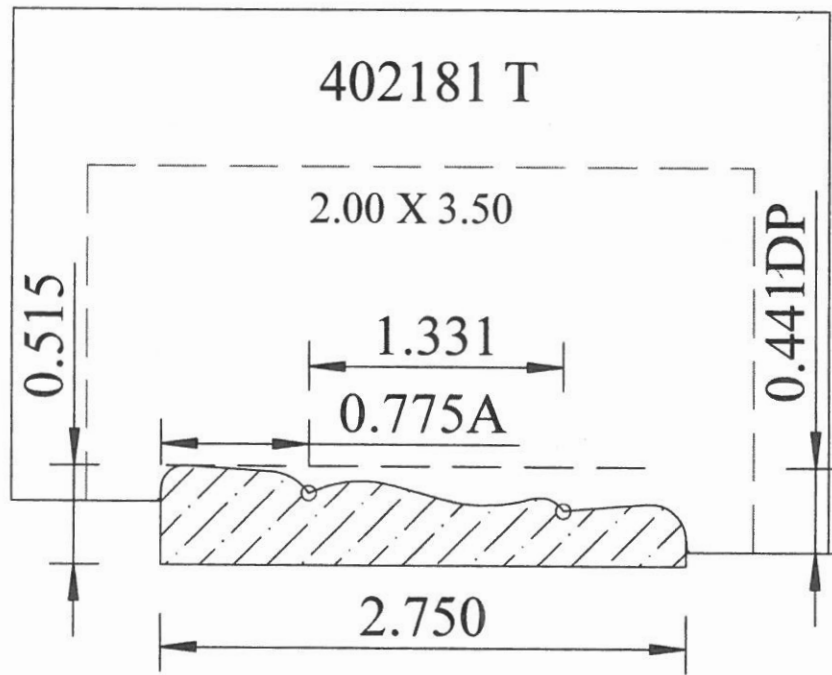
CASINGS E-53





SPECIAL ORDER MOULDINGS

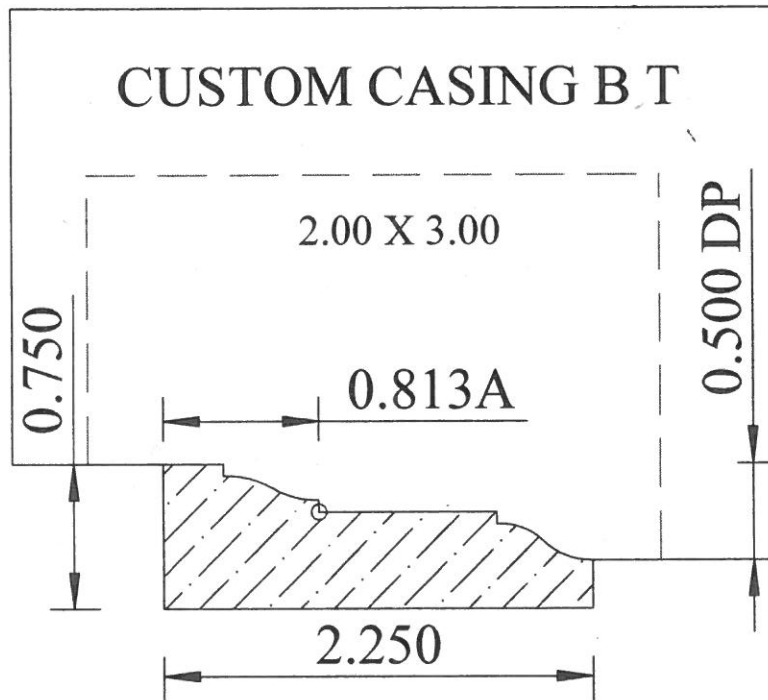
CASINGS E-54





SPECIAL ORDER MOULDINGS

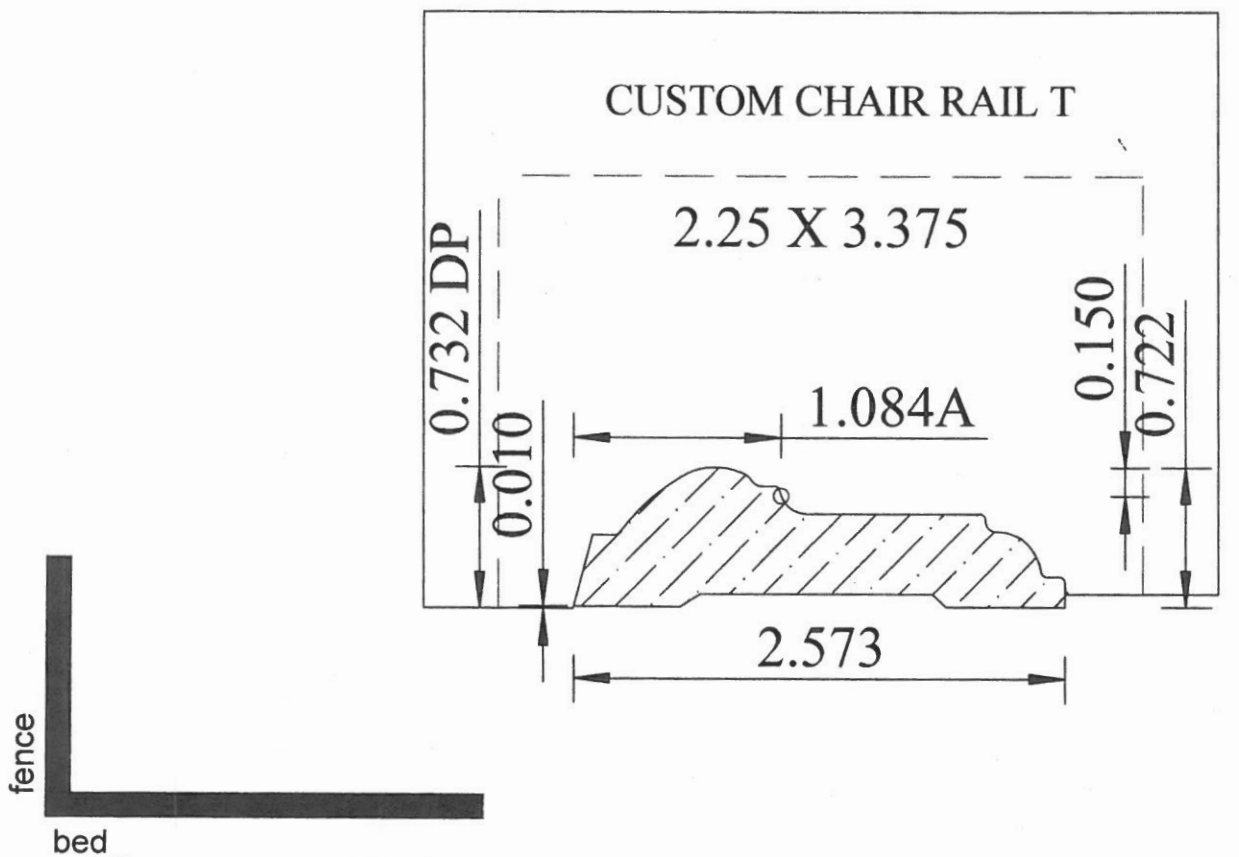
CASINGS E-55T





SPECIAL ORDER MOULDINGS

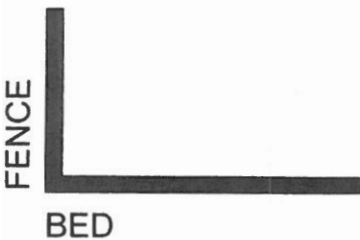
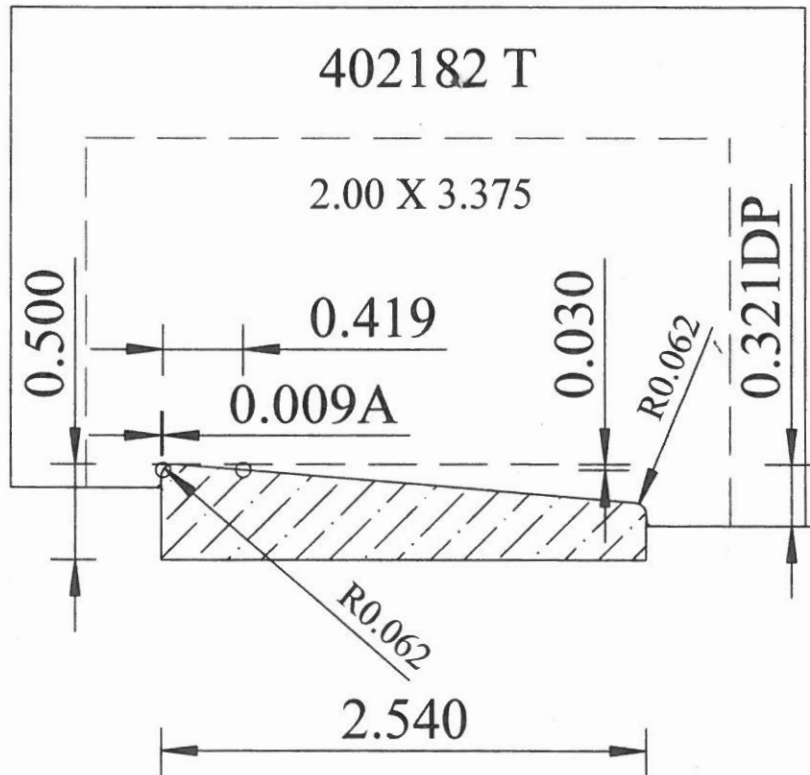
CASINGS E-56





SPECIAL ORDER MOULDINGS

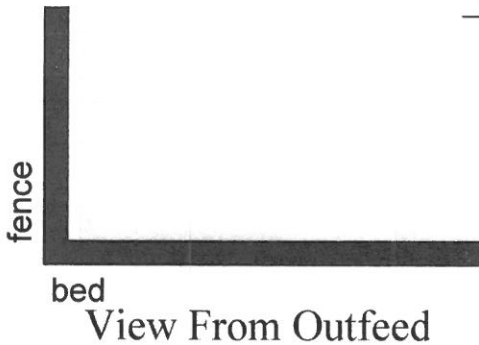
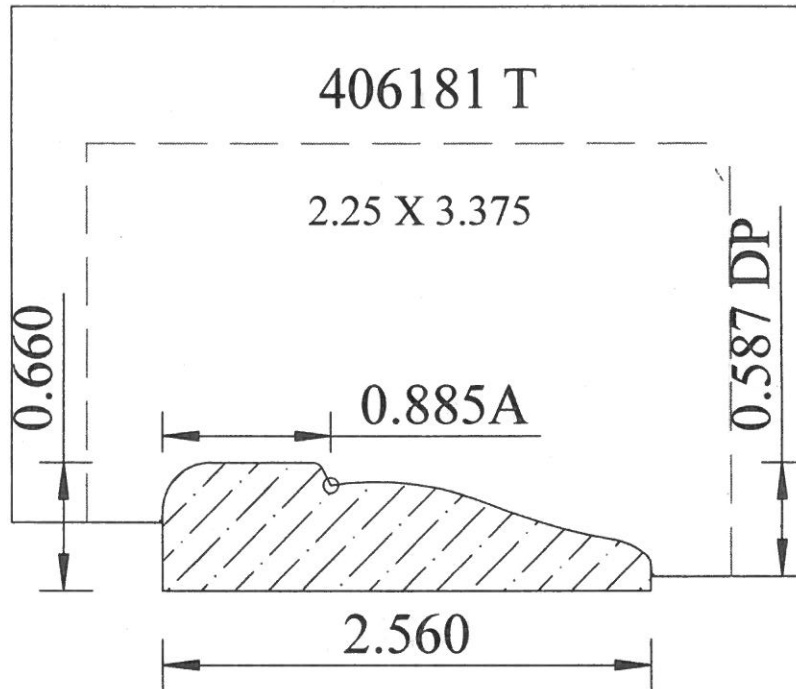
CASINGS E-57





SPECIAL ORDER MOULDINGS

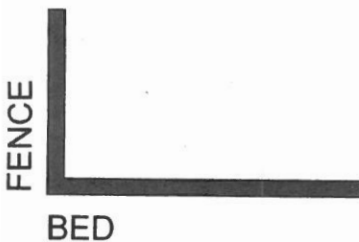
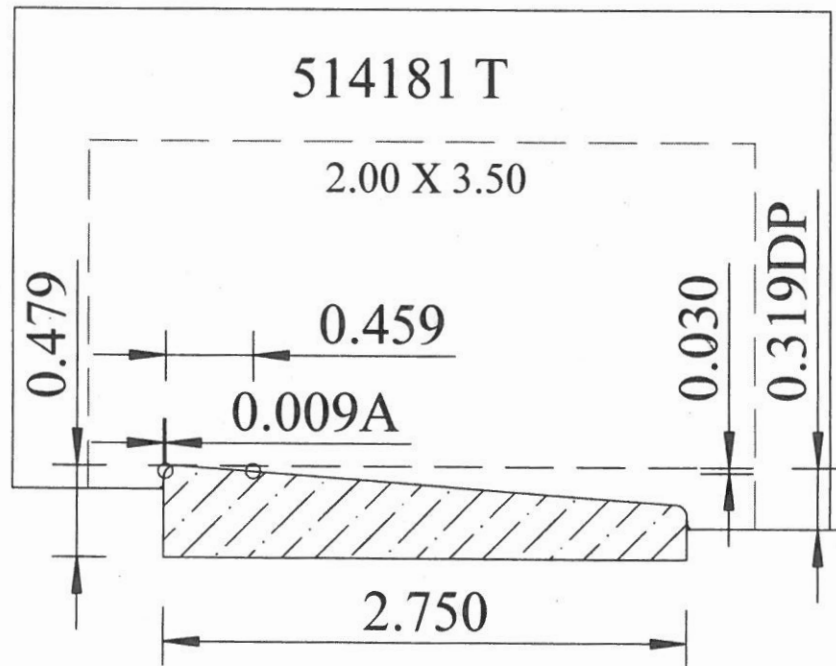
CASINGS E-58





SPECIAL ORDER MOULDINGS

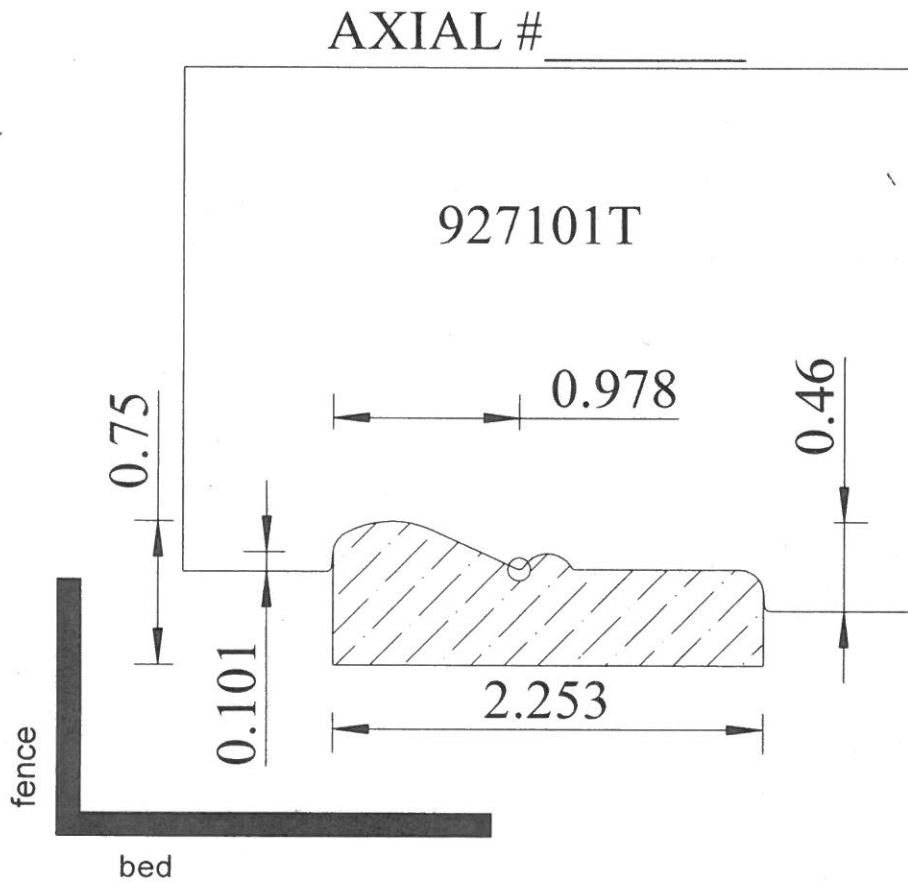
CASINGS E-62





SPECIAL ORDER MOULDINGS

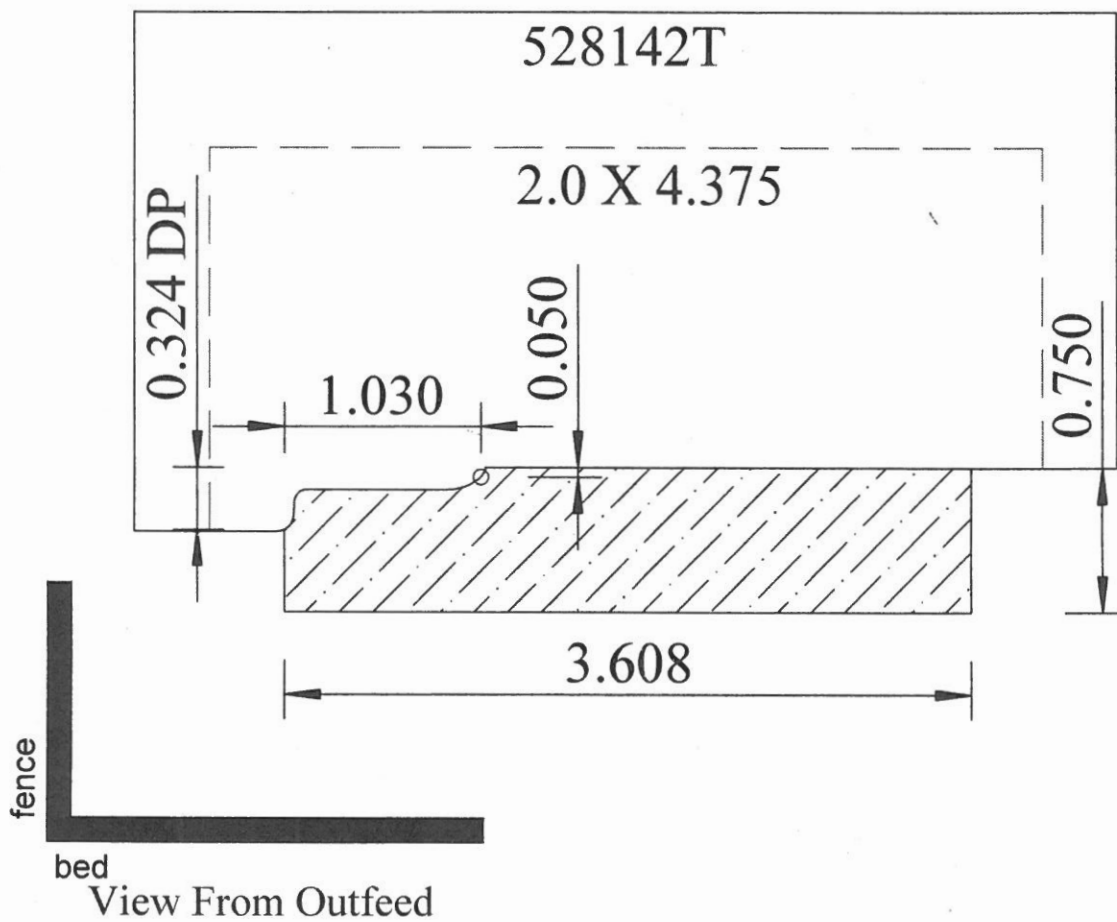
CASINGS E-65





SPECIAL ORDER MOULDINGS

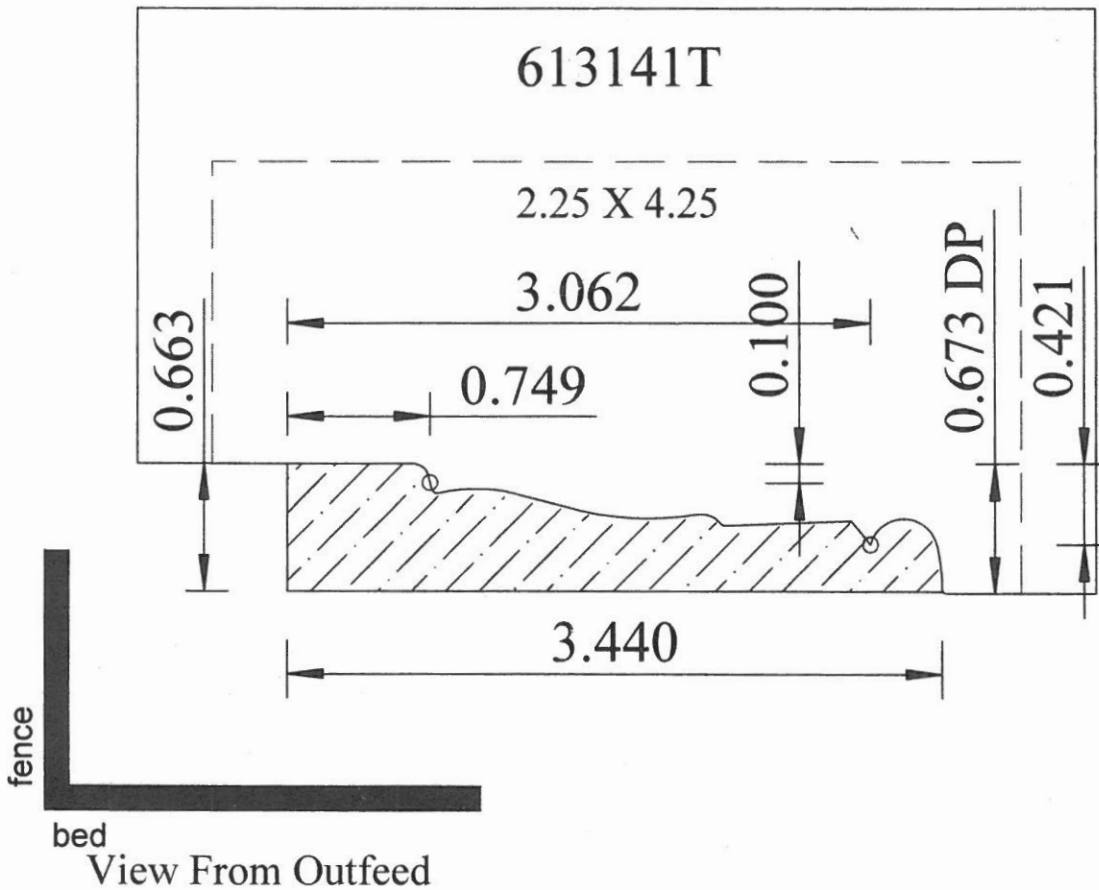
CASINGS E-90





SPECIAL ORDER MOULDINGS

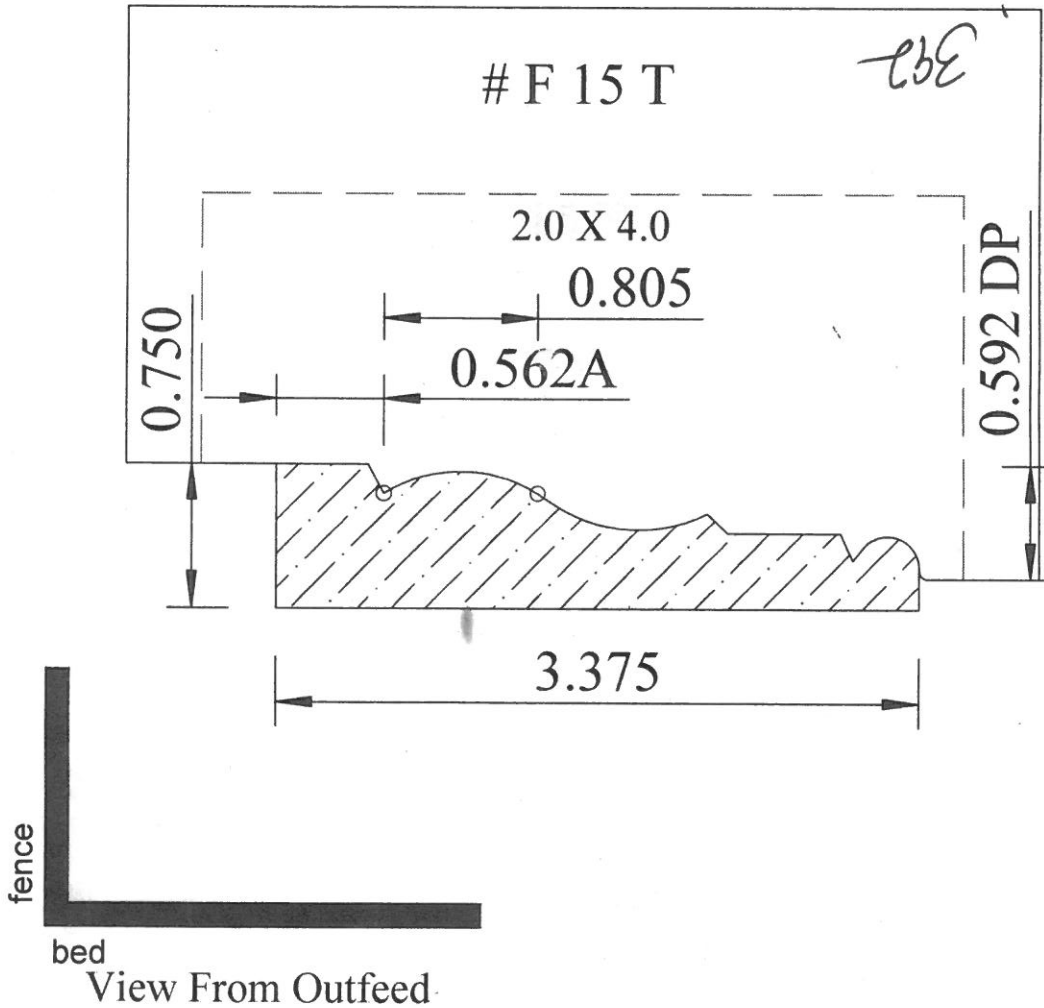
CASINGS E-92





SPECIAL ORDER MOULDINGS

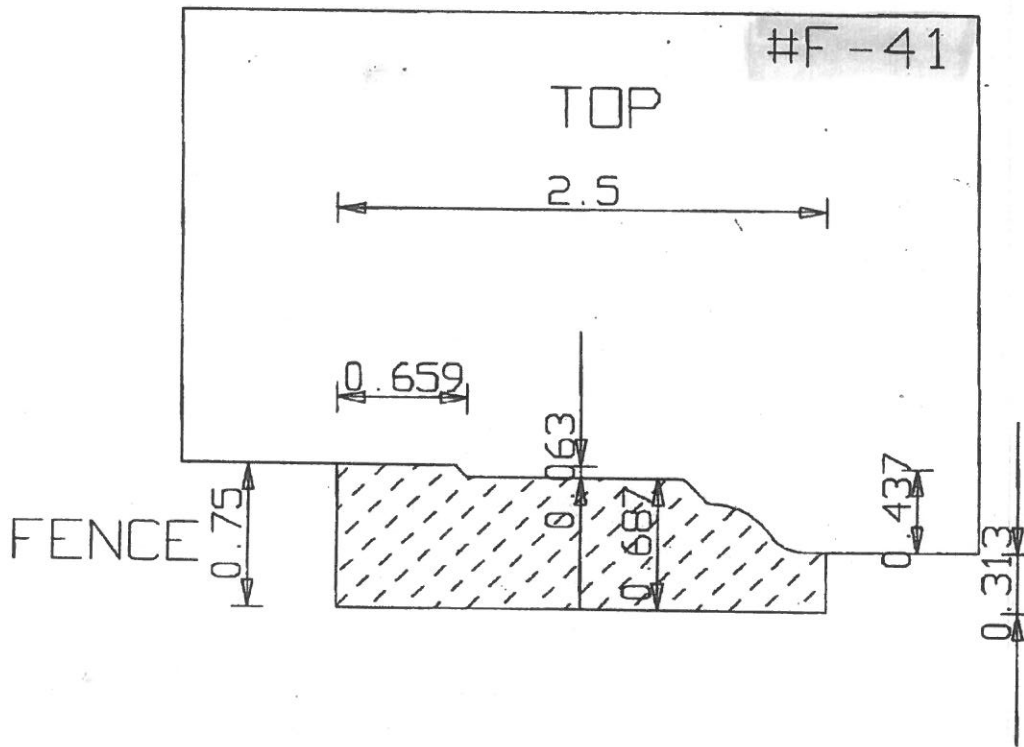
CASINGS F-15





SPECIAL ORDER MOULDINGS

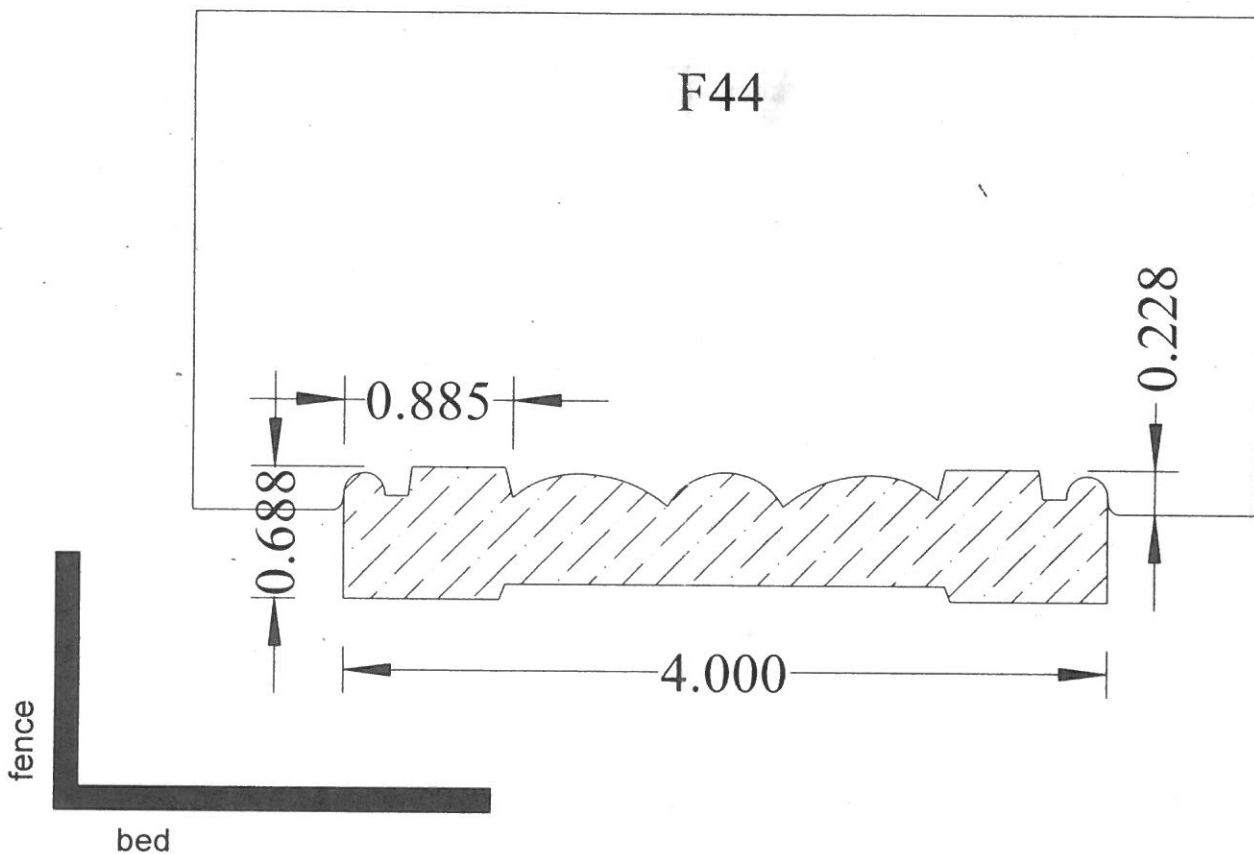
CASINGS F-41





SPECIAL ORDER MOULDINGS

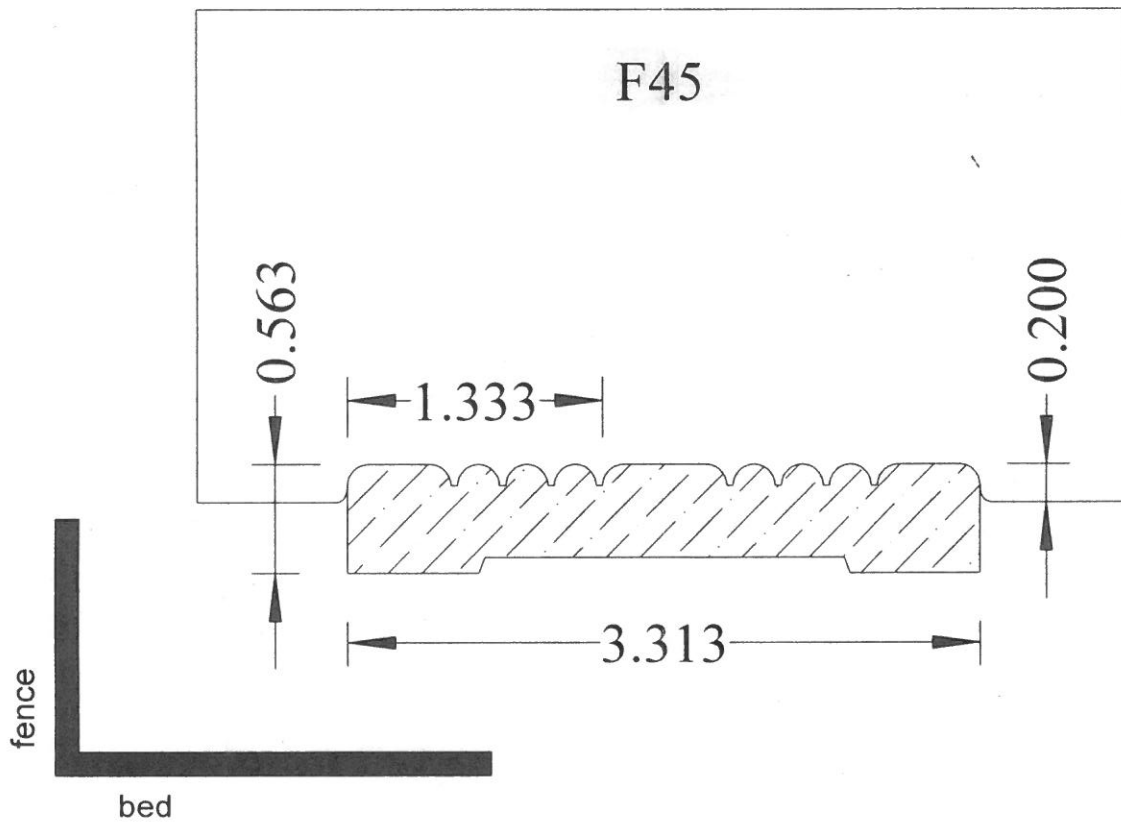
CASINGS F-44





SPECIAL ORDER MOULDINGS

CASINGS F-45

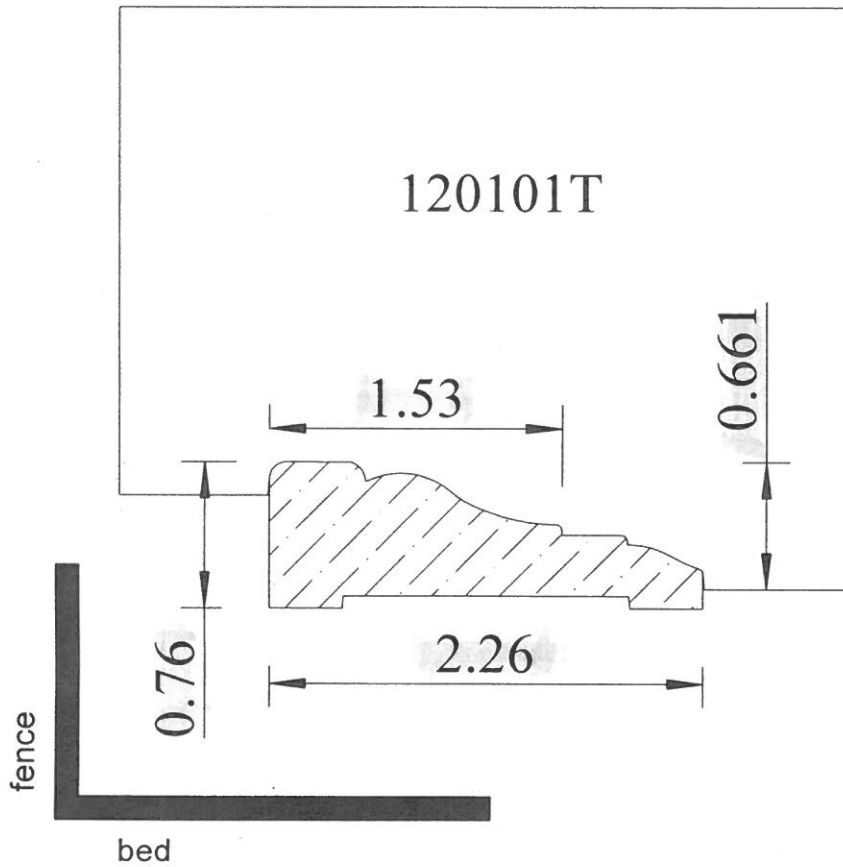




SPECIAL ORDER MOULDINGS

CASINGS
F-68

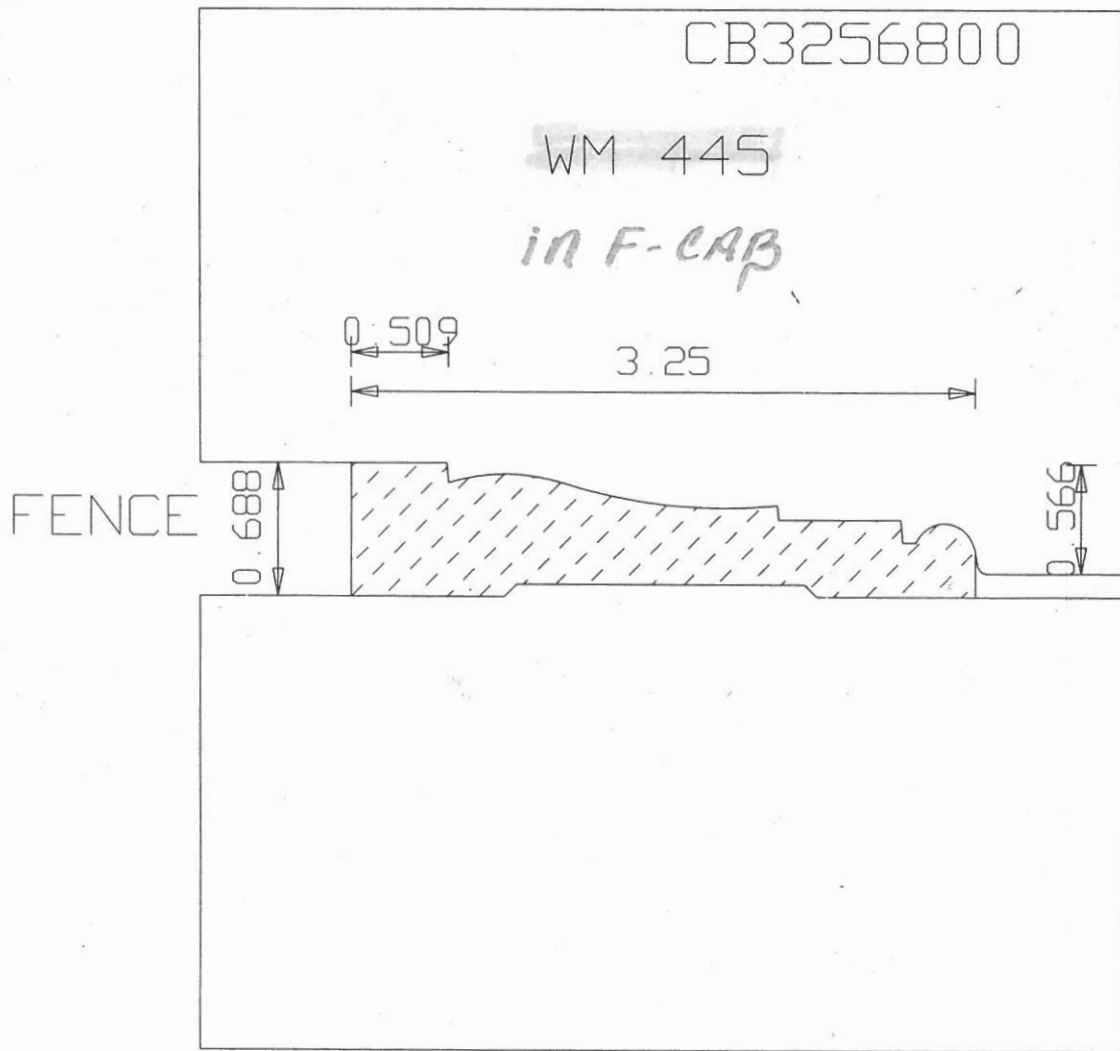
AXIAL # _____





SPECIAL ORDER MOULDINGS

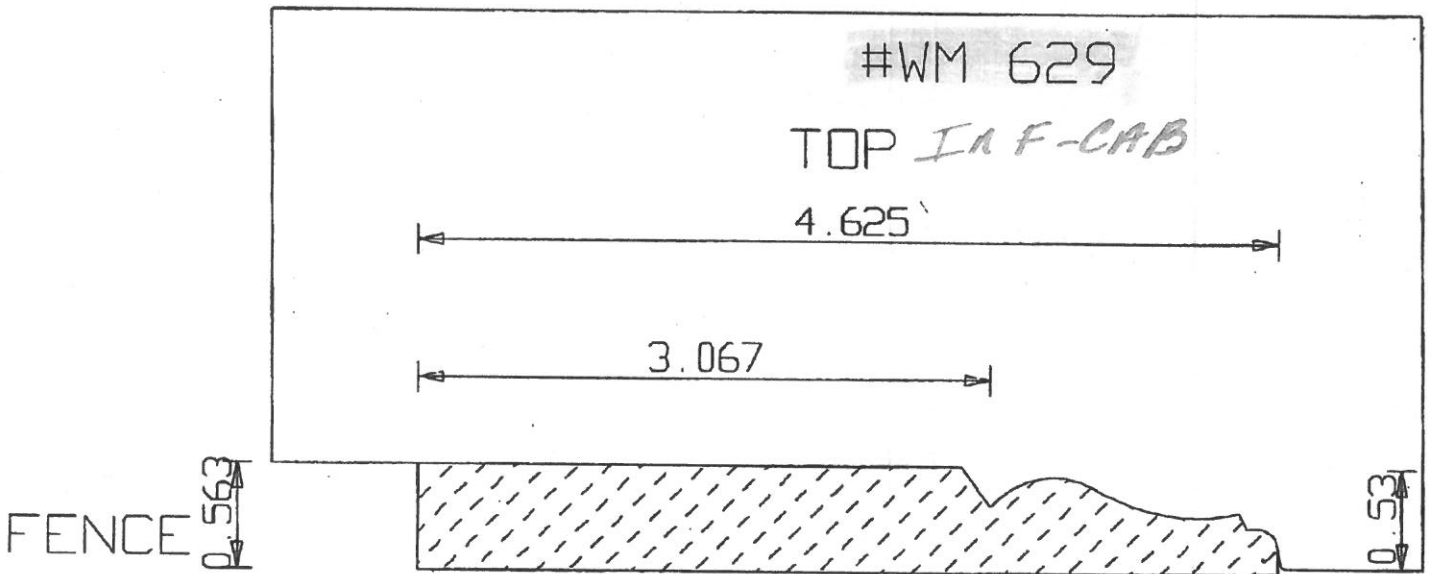
CASINGS F-CAB





SPECIAL ORDER MOULDINGS

CASINGS
IN F-CAB

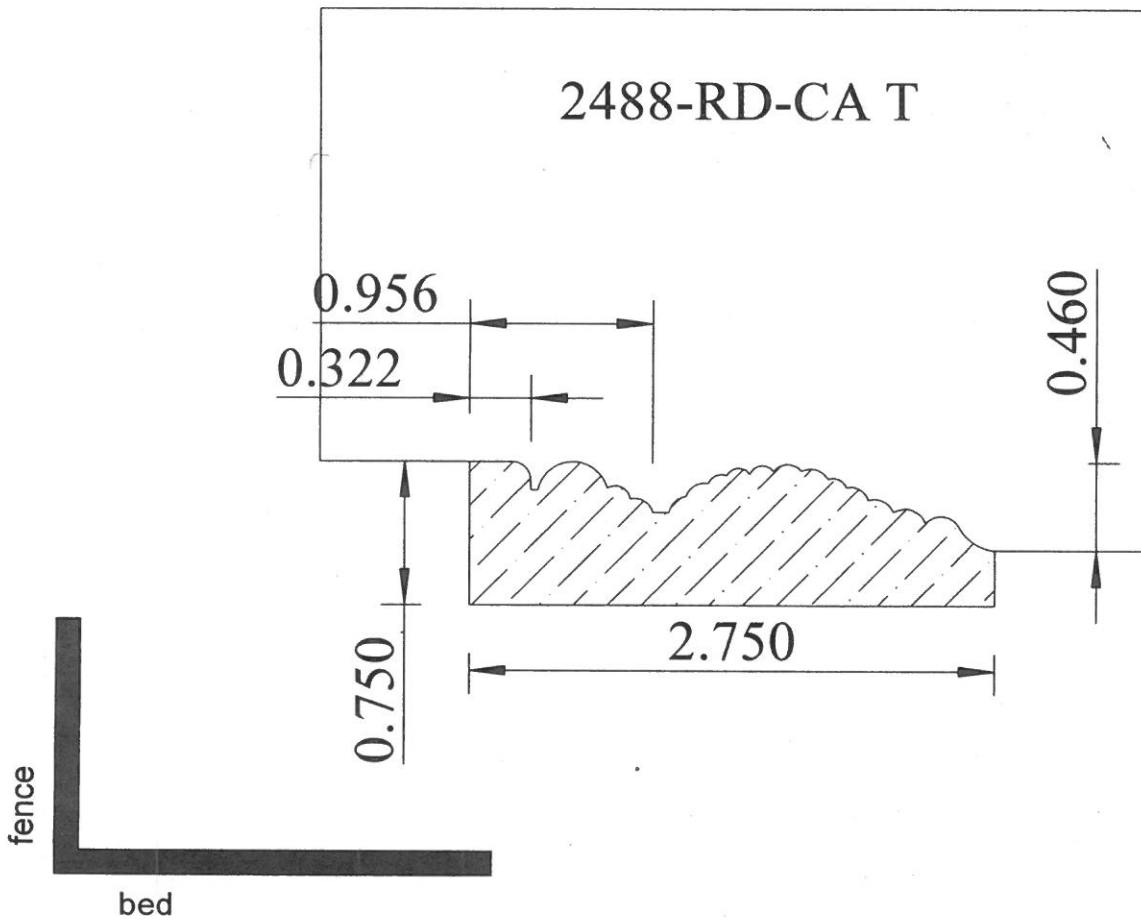




SPECIAL ORDER MOULDINGS

CASINGS F-51

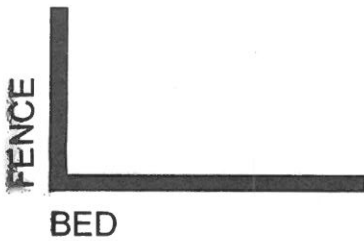
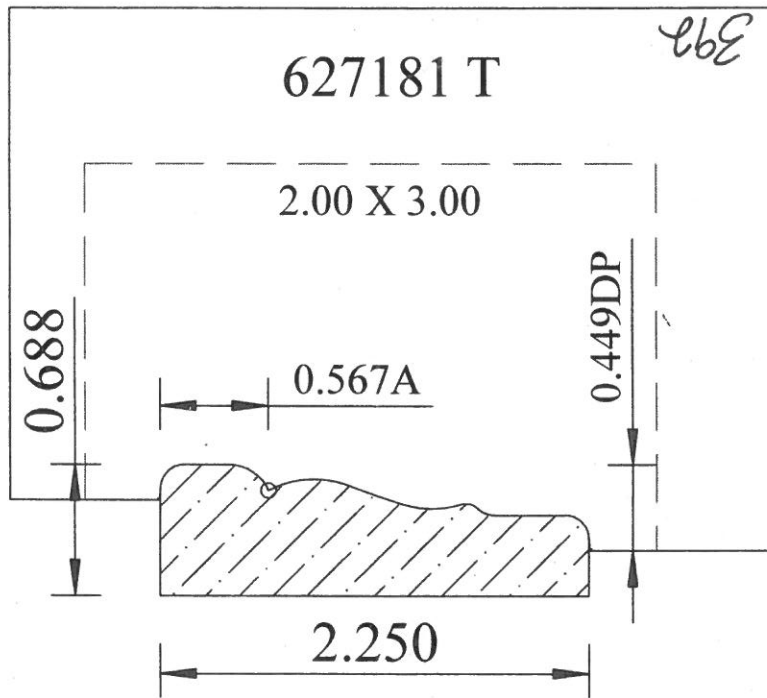
AXIAL # 396





SPECIAL ORDER MOULDINGS

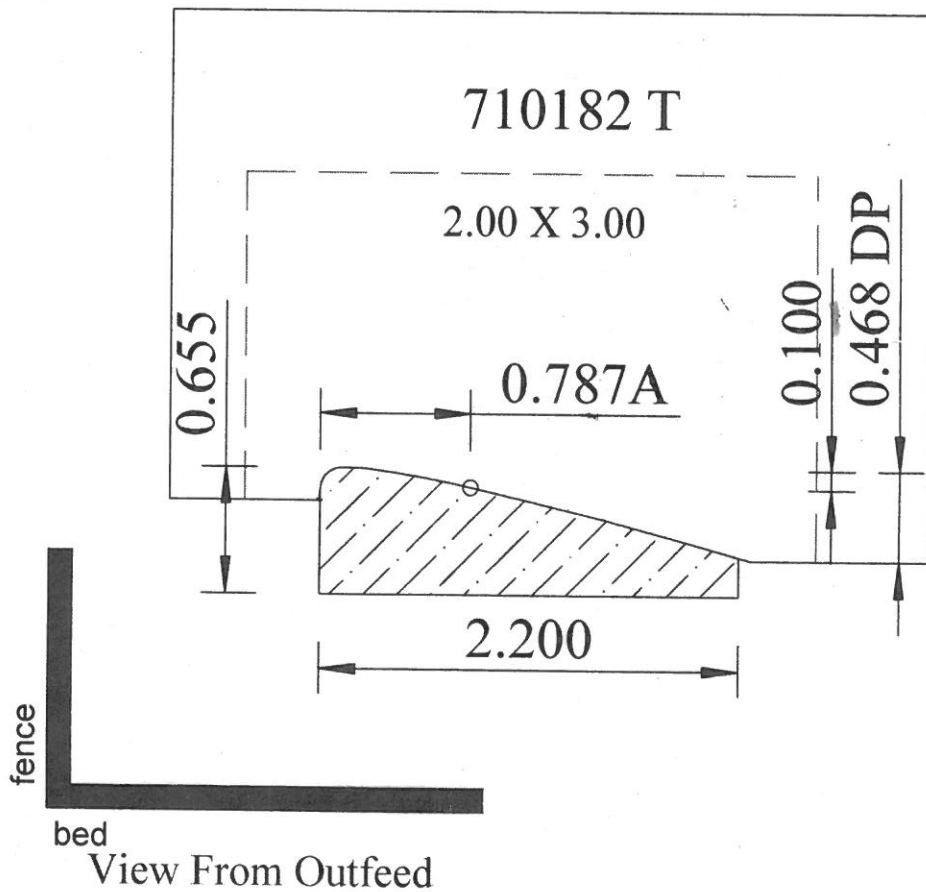
CASINGS F-56





SPECIAL ORDER MOULDINGS

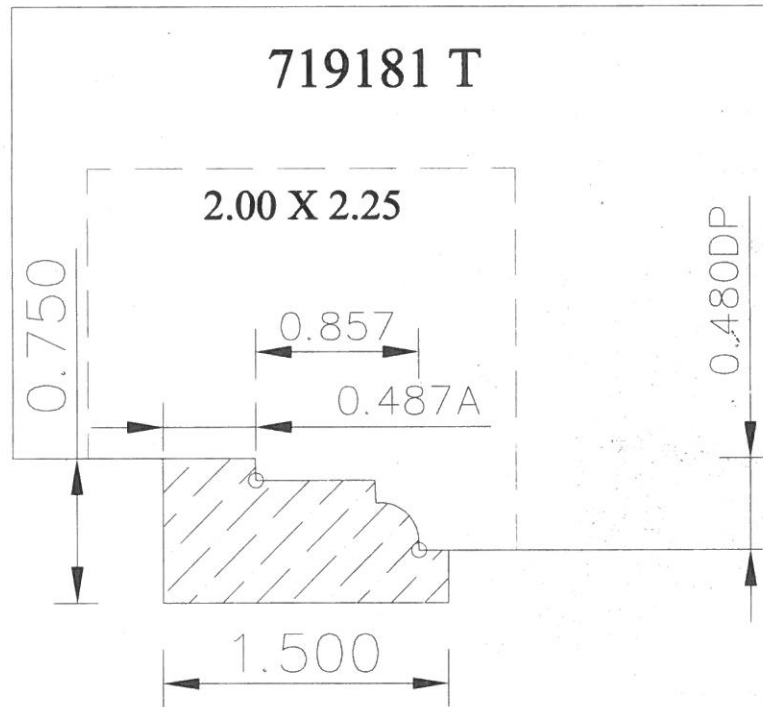
CASINGS F-60





SPECIAL ORDER MOULDINGS

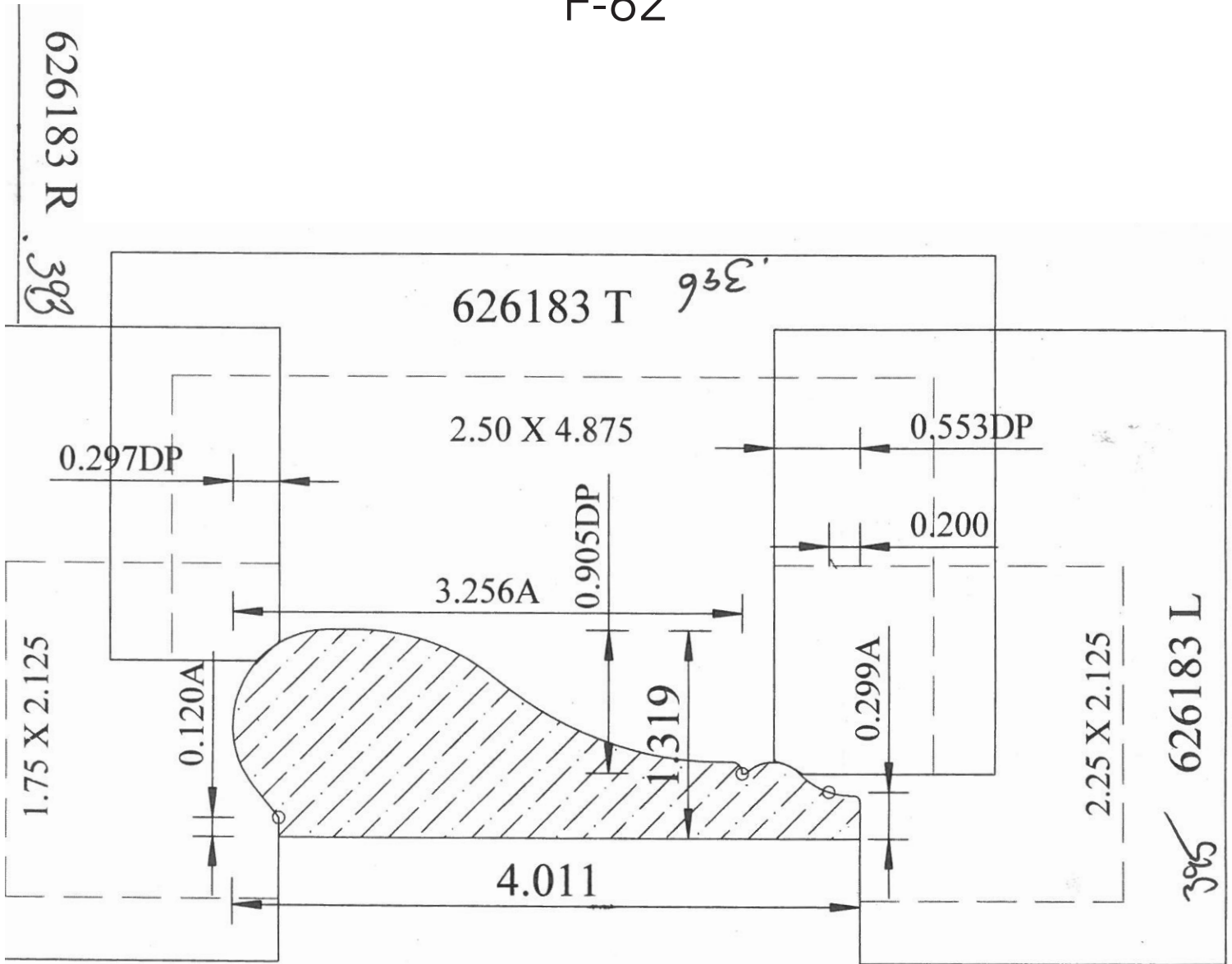
CASINGS F-61





SPECIAL ORDER MOULDINGS

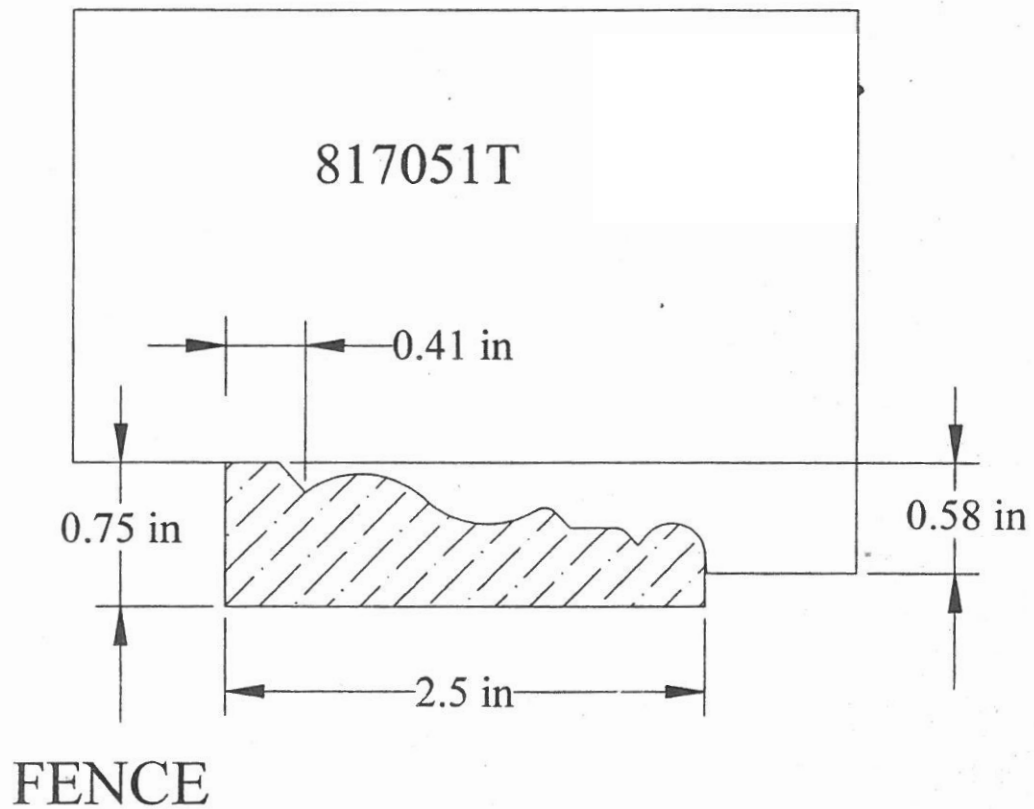
CASINGS F-62





SPECIAL ORDER MOULDINGS

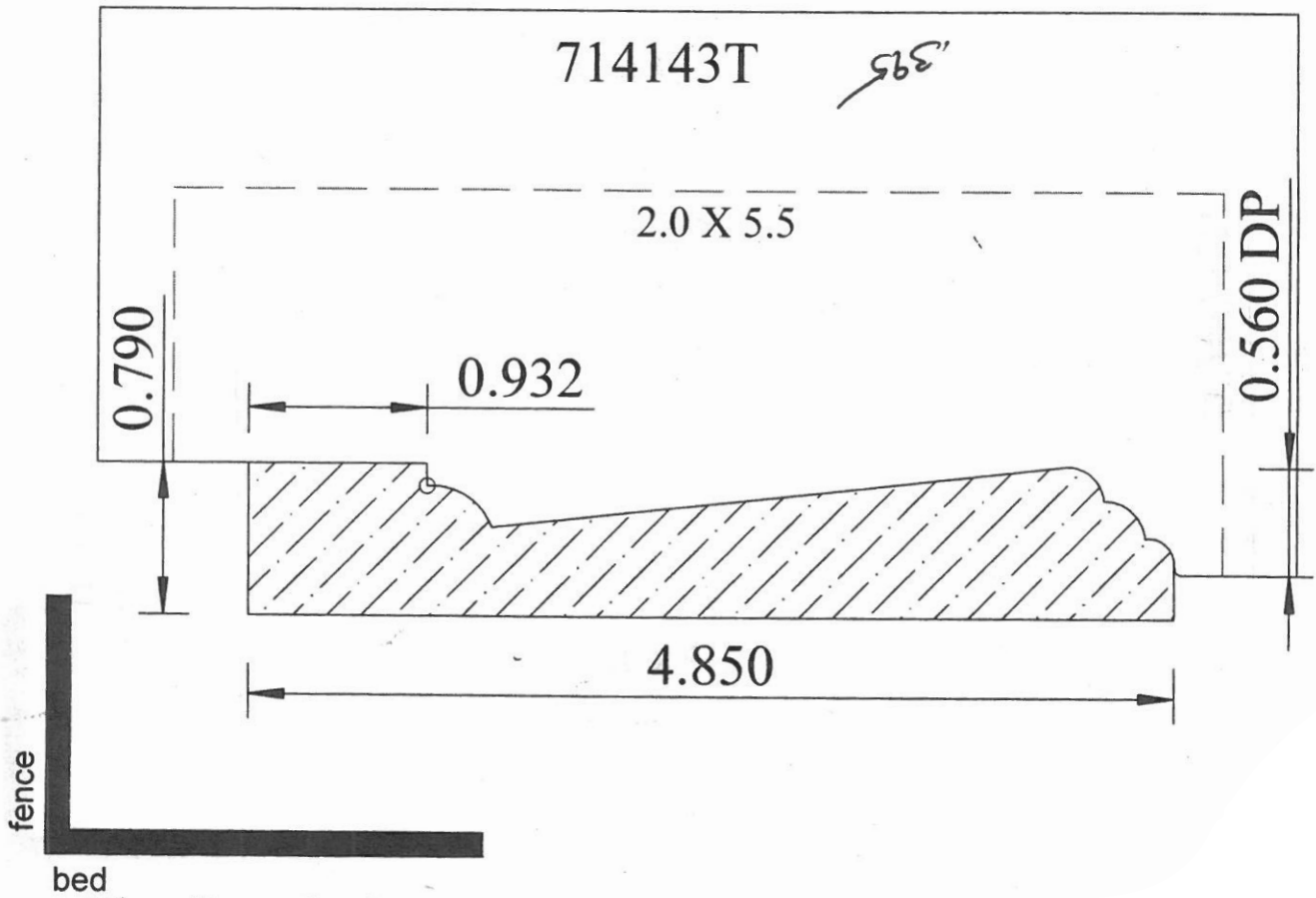
CASINGS F-64





SPECIAL ORDER MOULDINGS

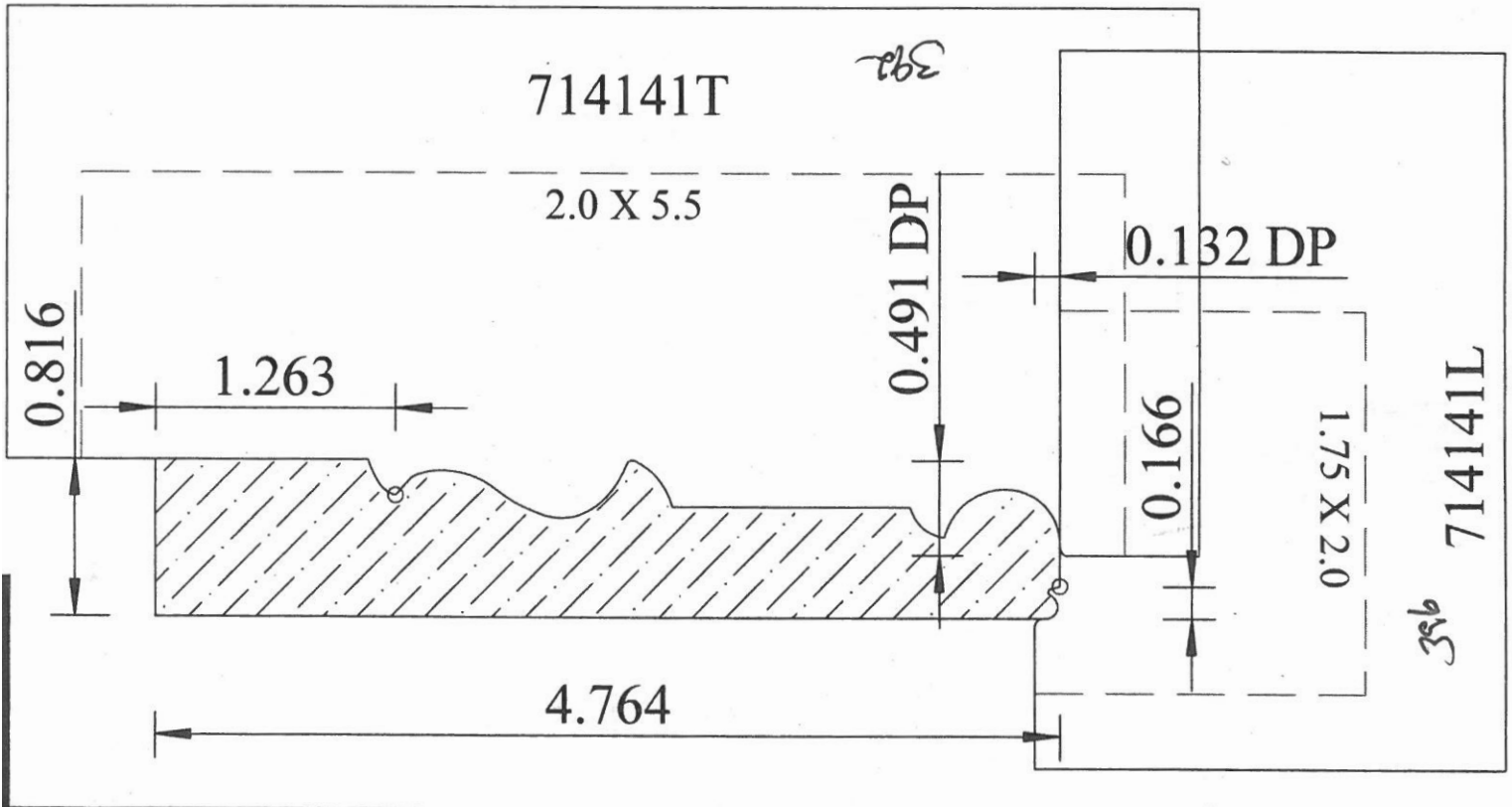
CASINGS F-83





SPECIAL ORDER MOULDINGS

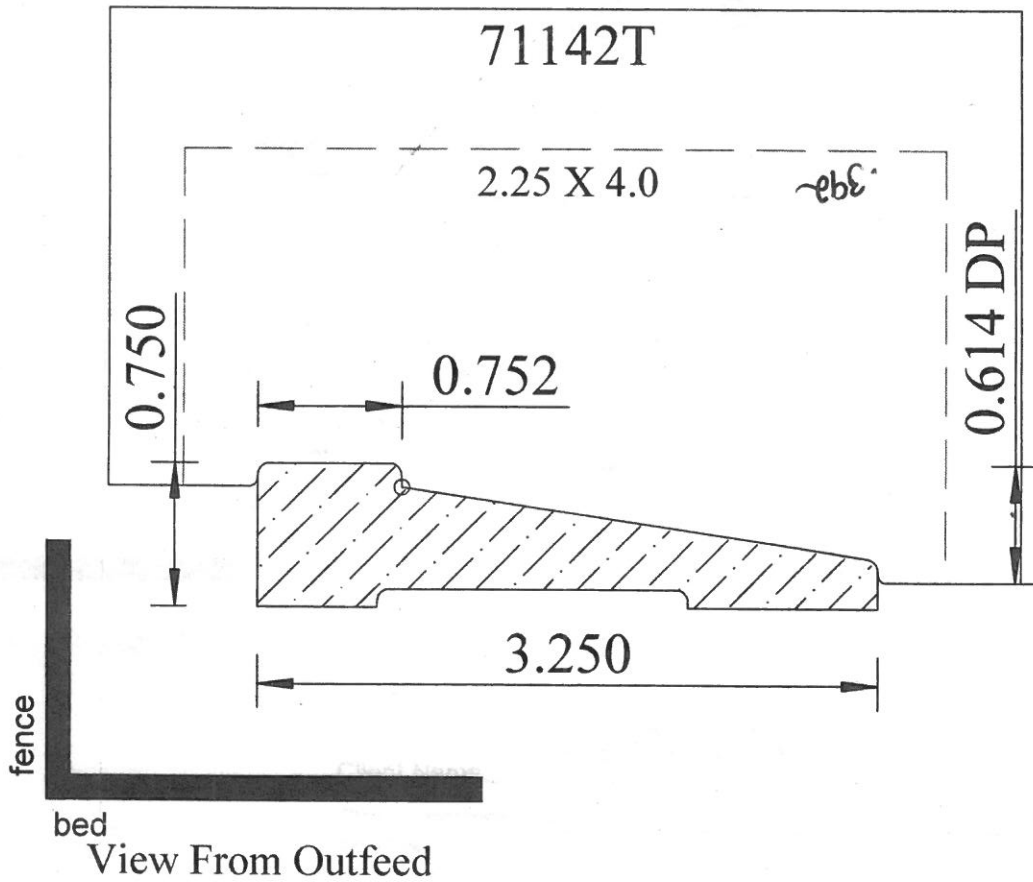
CASINGS F-85





SPECIAL ORDER MOULDINGS

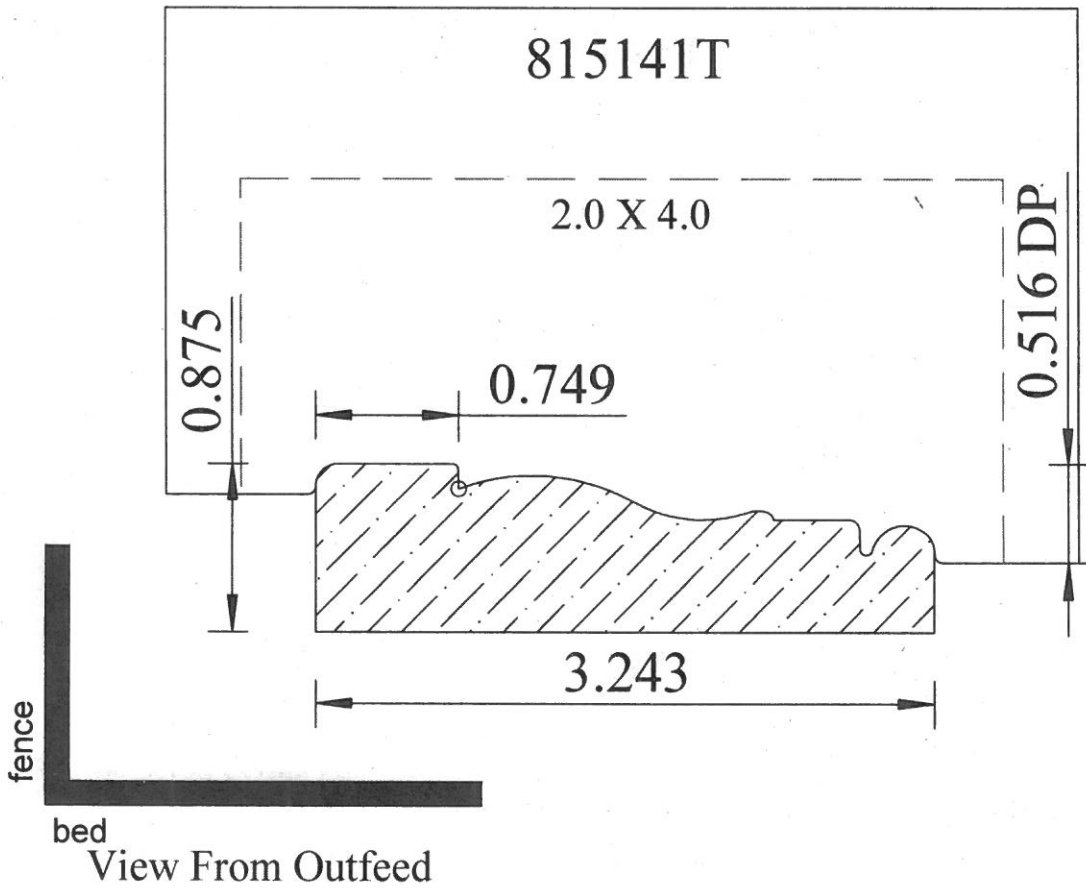
CASINGS F-86





SPECIAL ORDER MOULDINGS

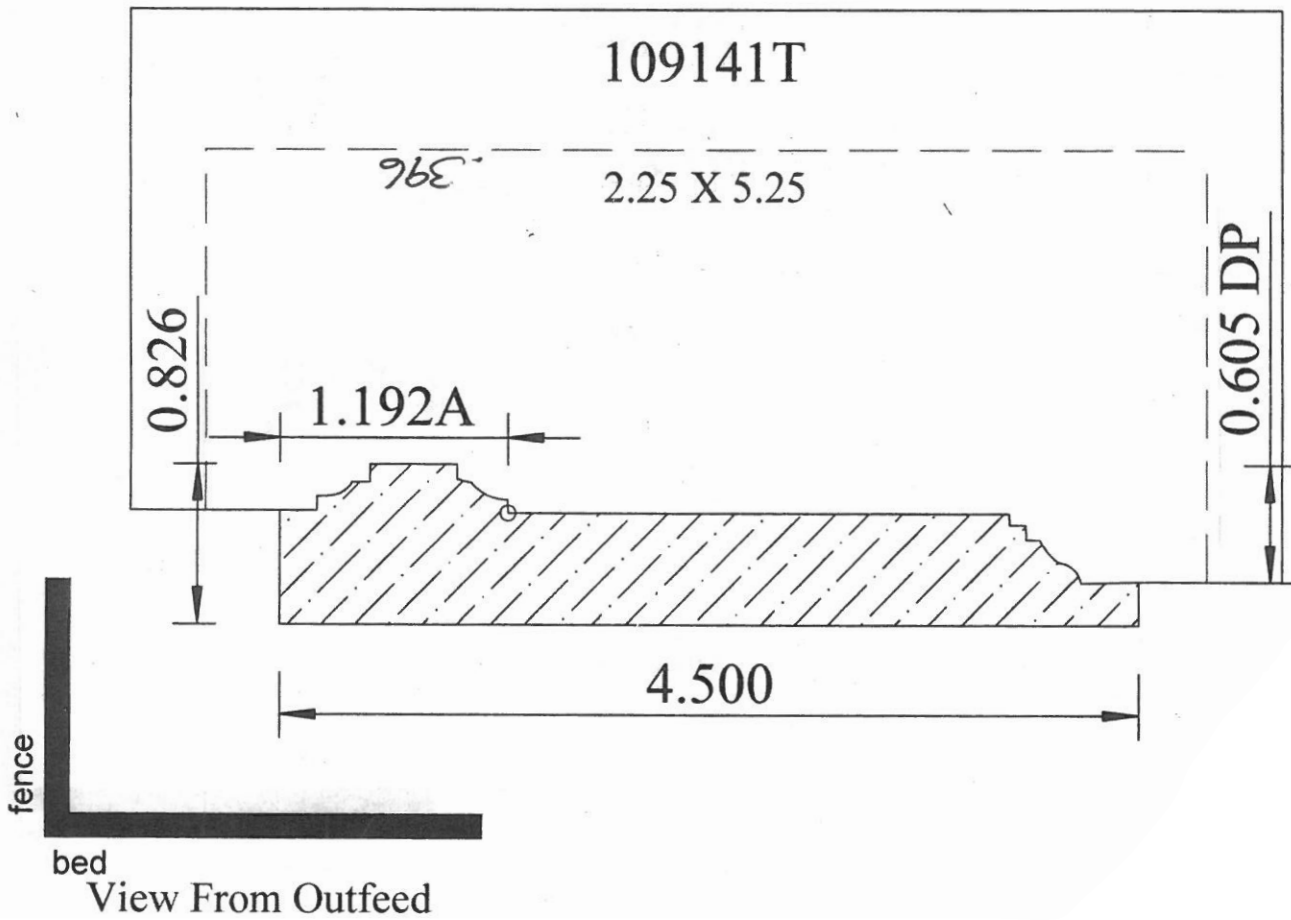
CASINGS F-90





SPECIAL ORDER MOULDINGS

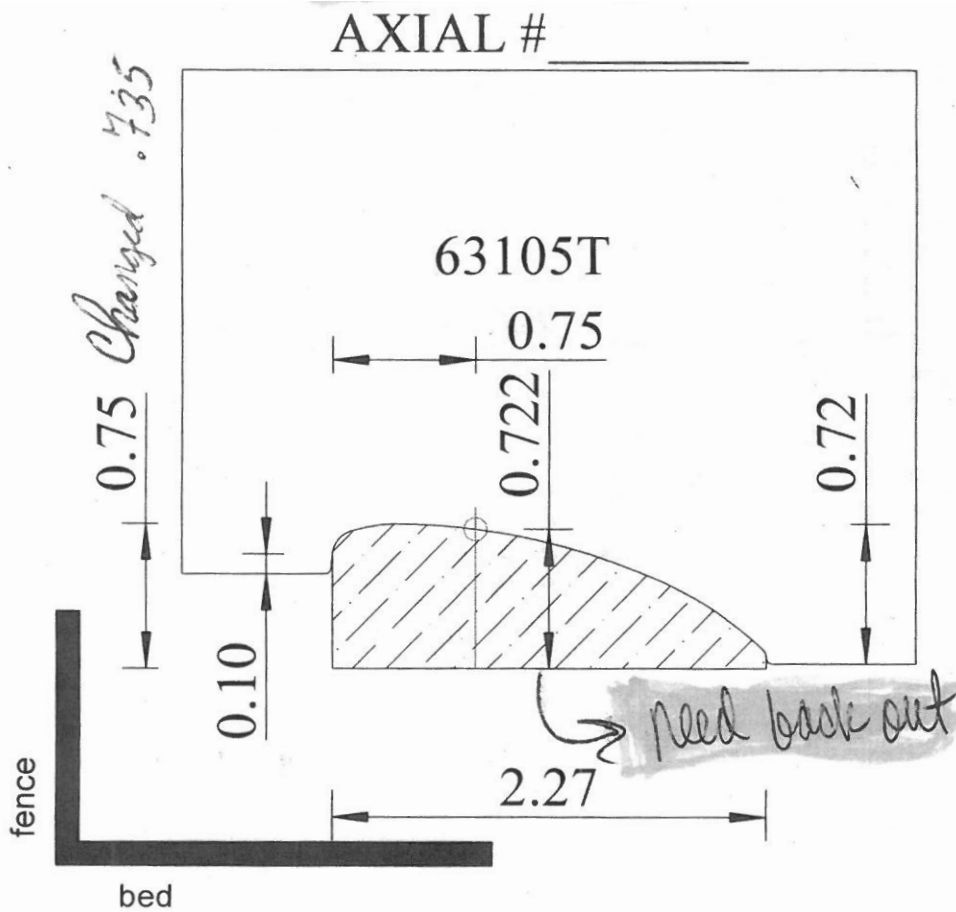
CASINGS F-93





SPECIAL ORDER MOULDINGS

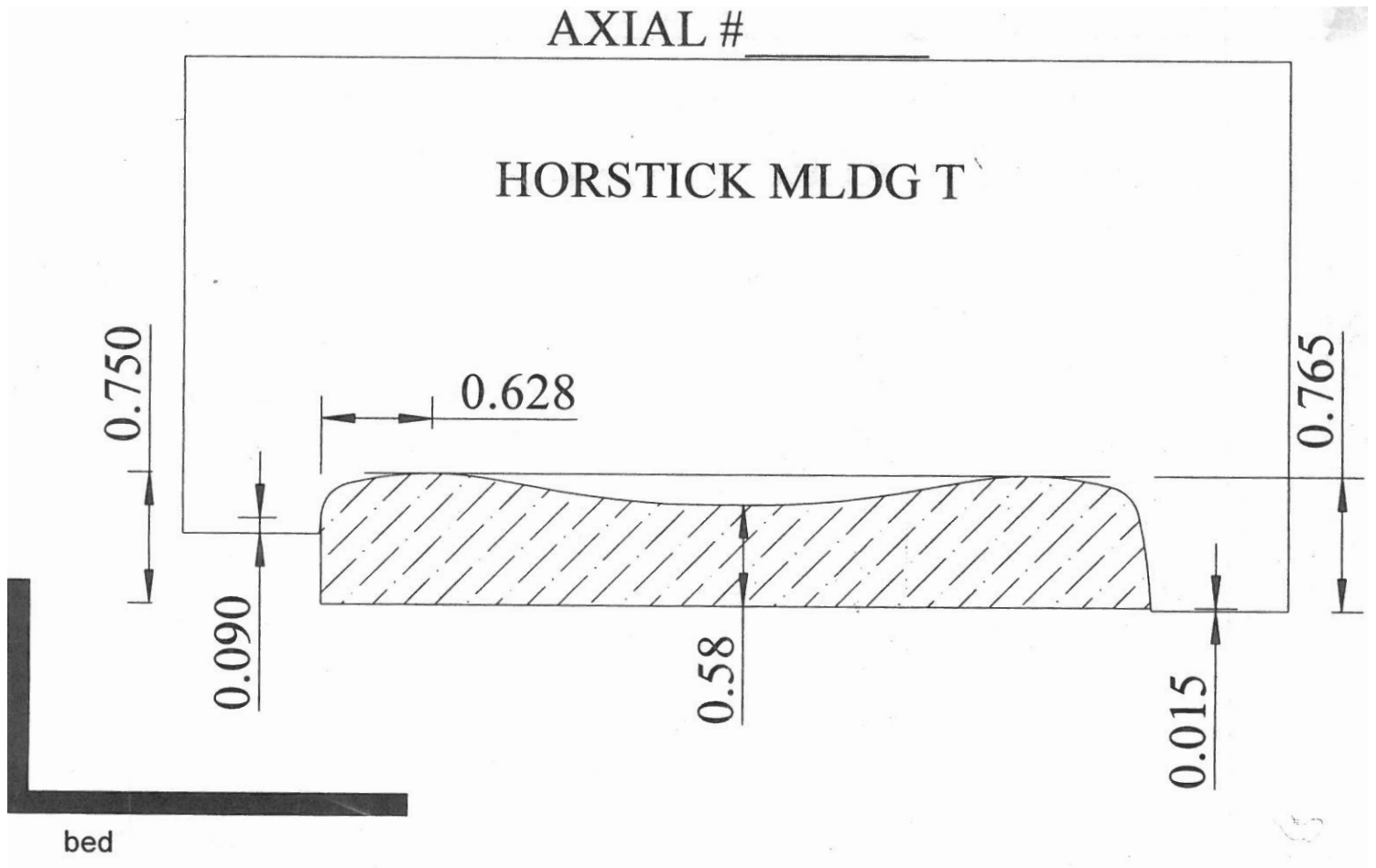
CASINGS G-32





SPECIAL ORDER MOULDINGS

CASINGS
G-36





SPECIAL ORDER MOULDINGS

CASINGS A-96

