

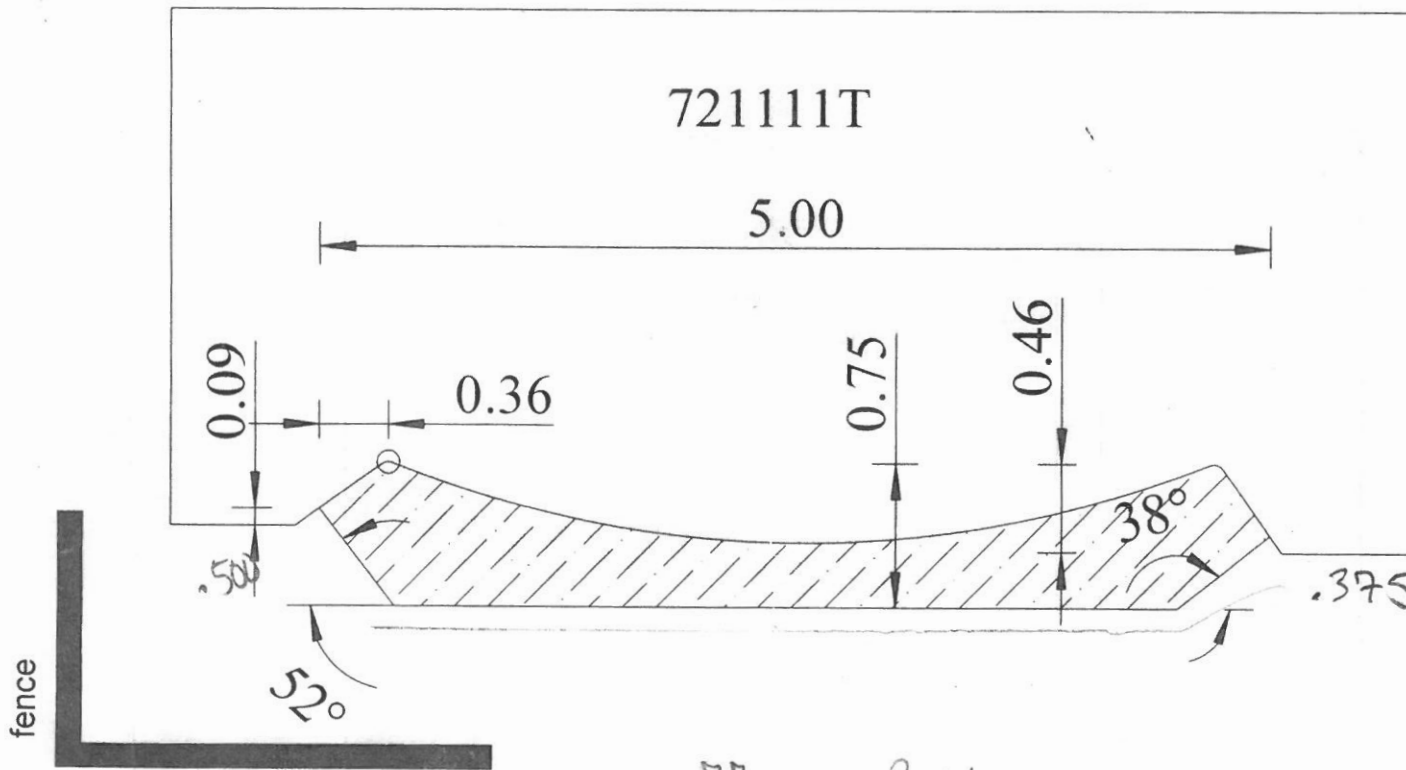


Services Requested & Material Selection
(circle all that apply)

	Finished	Rough
M3+HSS	Double-Back	Supre
TCT Inlaid	Insert	SRS

A-17

AXIAL # _____



$$0.394 + (.500 - .423) = .471$$

.77 Right

$$0.394 + (.507 - .375) = .526$$

.132 Left
.360

.184

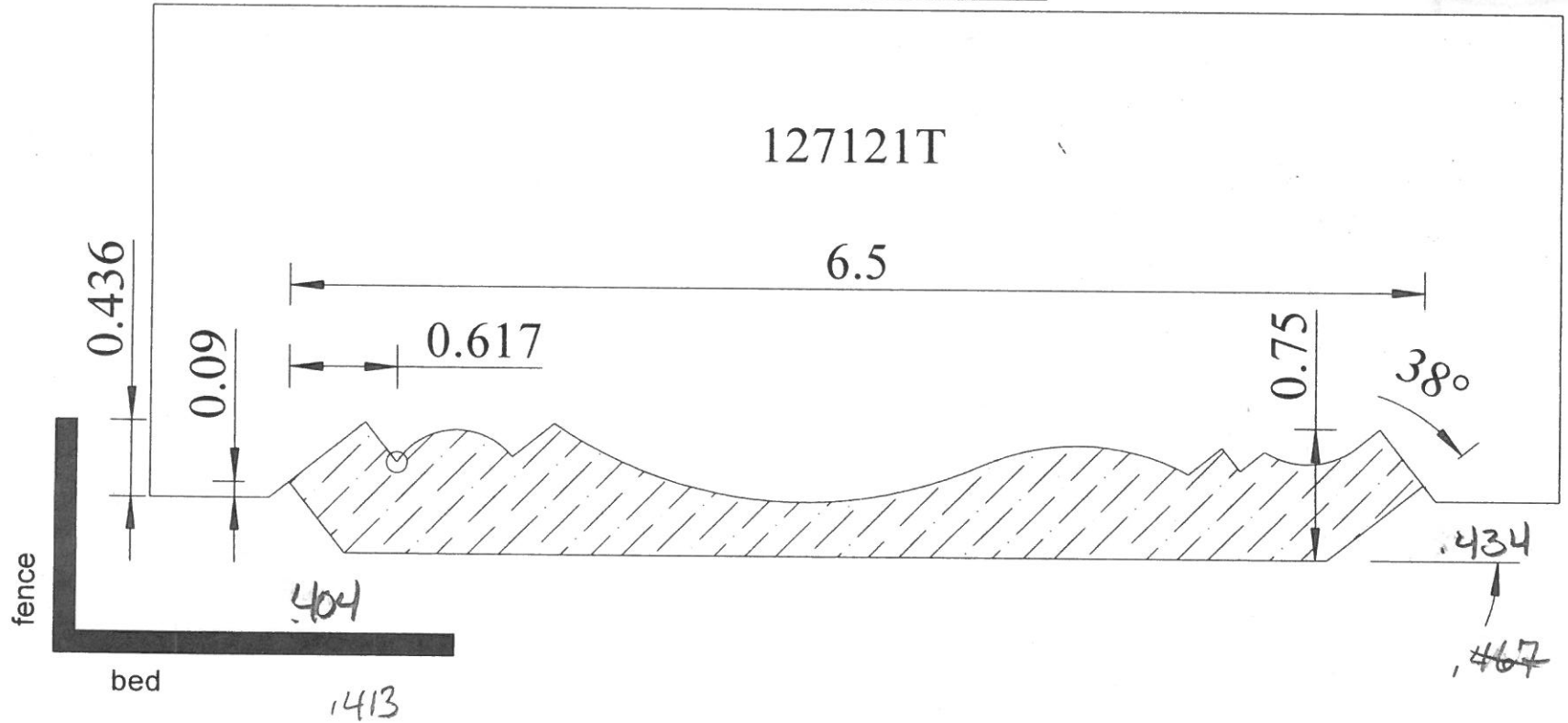


Services Requested & Material Selection
(circle all that apply)

	Finished	Rough
M3+HSS	Double-Back	Supre
TCT Inlaid	Insert	SRS

A-68

AXIAL # _____



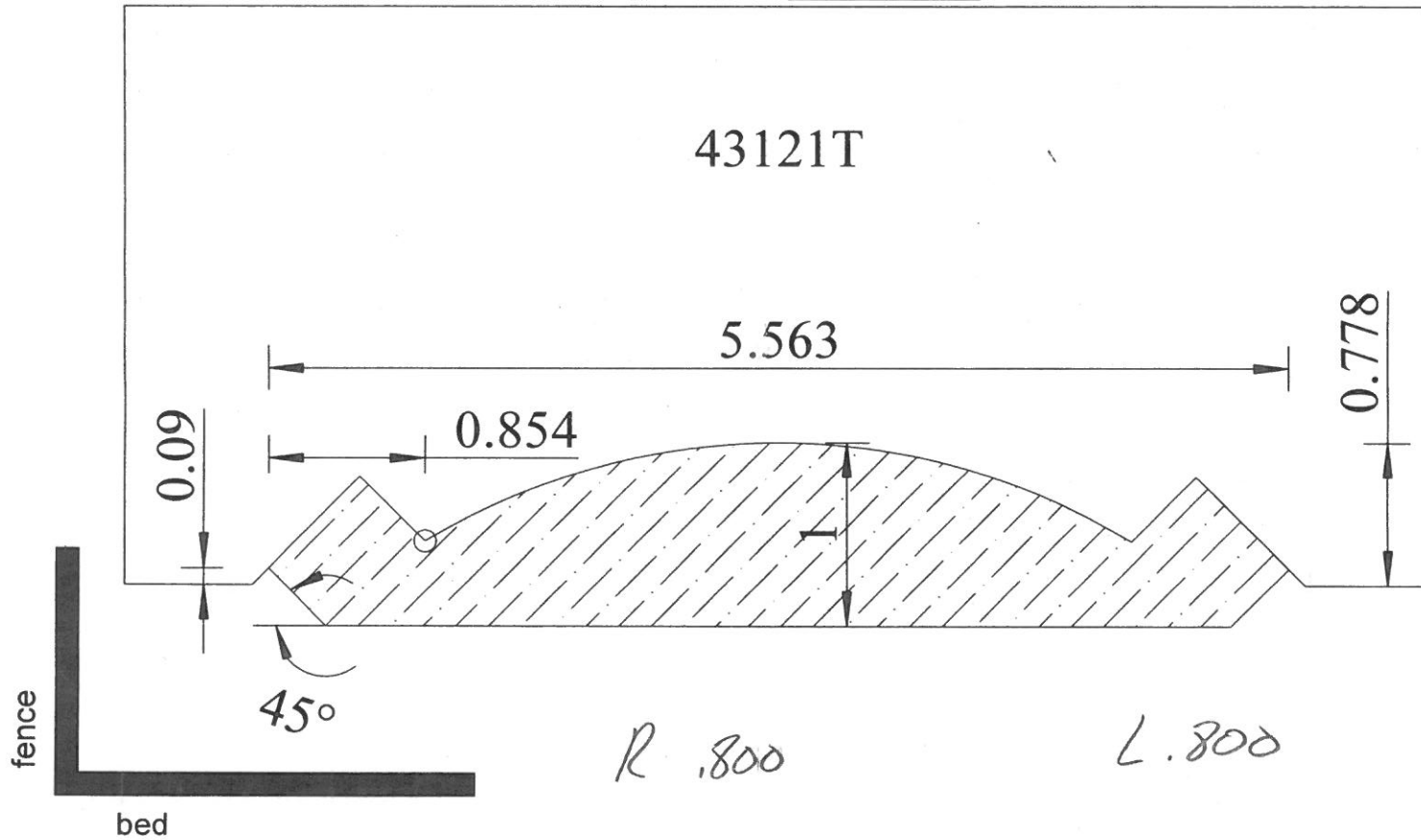


Services Requested & Material Selection
(circle all that apply)

	Finished	Rough
M3+HSS	Double-Back	Supre
TCT Inlaid	Insert	SRS

A-73

AXIAL # _____





WEINIG

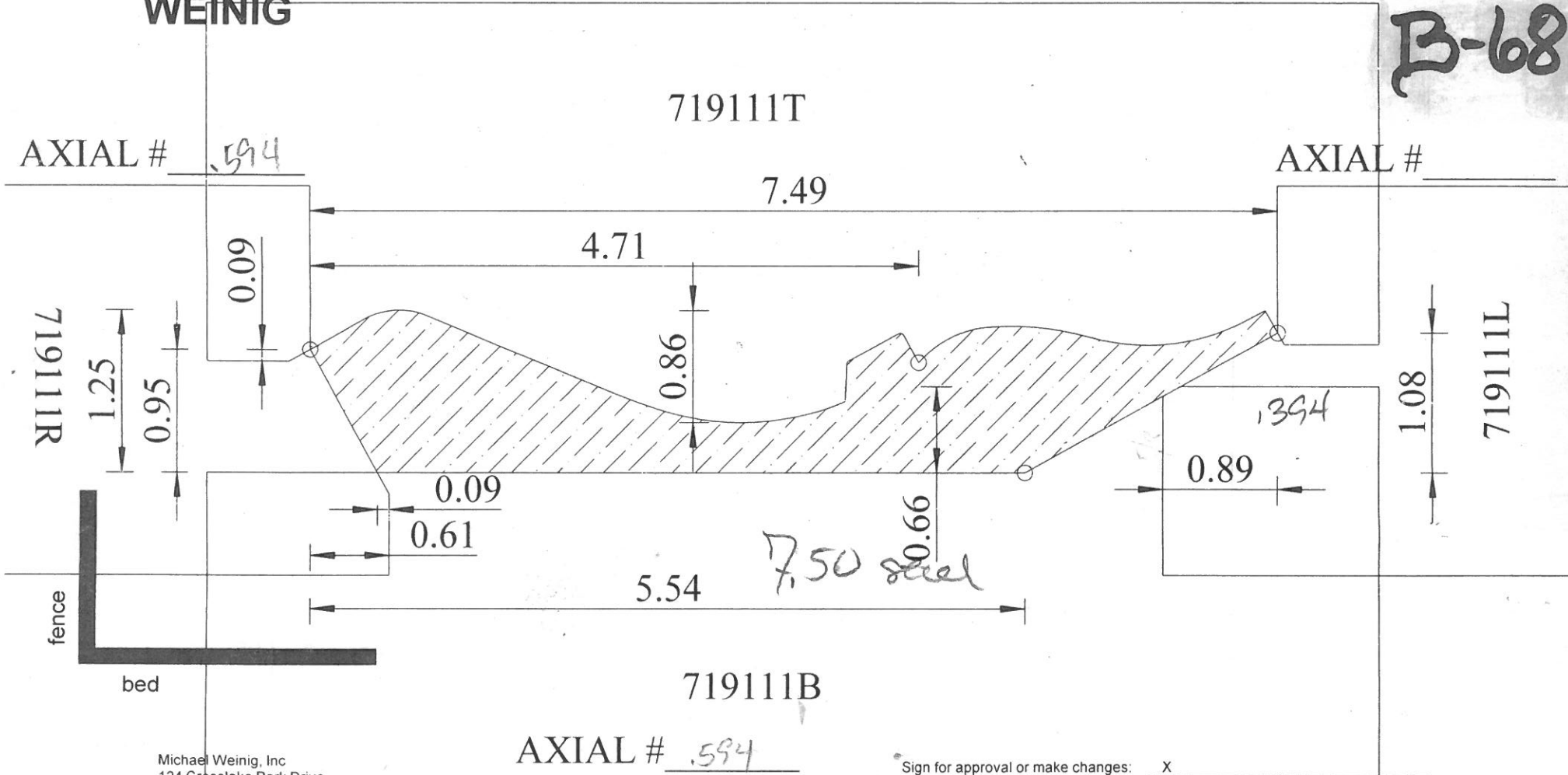
*394 + (750 - 950)
200 750
 200*

Services Requested & Material Selection
(circle all that apply)

	Finished	Rough
M3+HSS	Double-Back	Supre
TCT Inlaid	Insert	SRS

AXIAL # _____

B-68



Michael Weinig, Inc
124 Cresslake Park Drive
Mooresville, NC 28117

Sign for approval or make changes: X
DRAWN BY: Jason Lloyd

Thank you

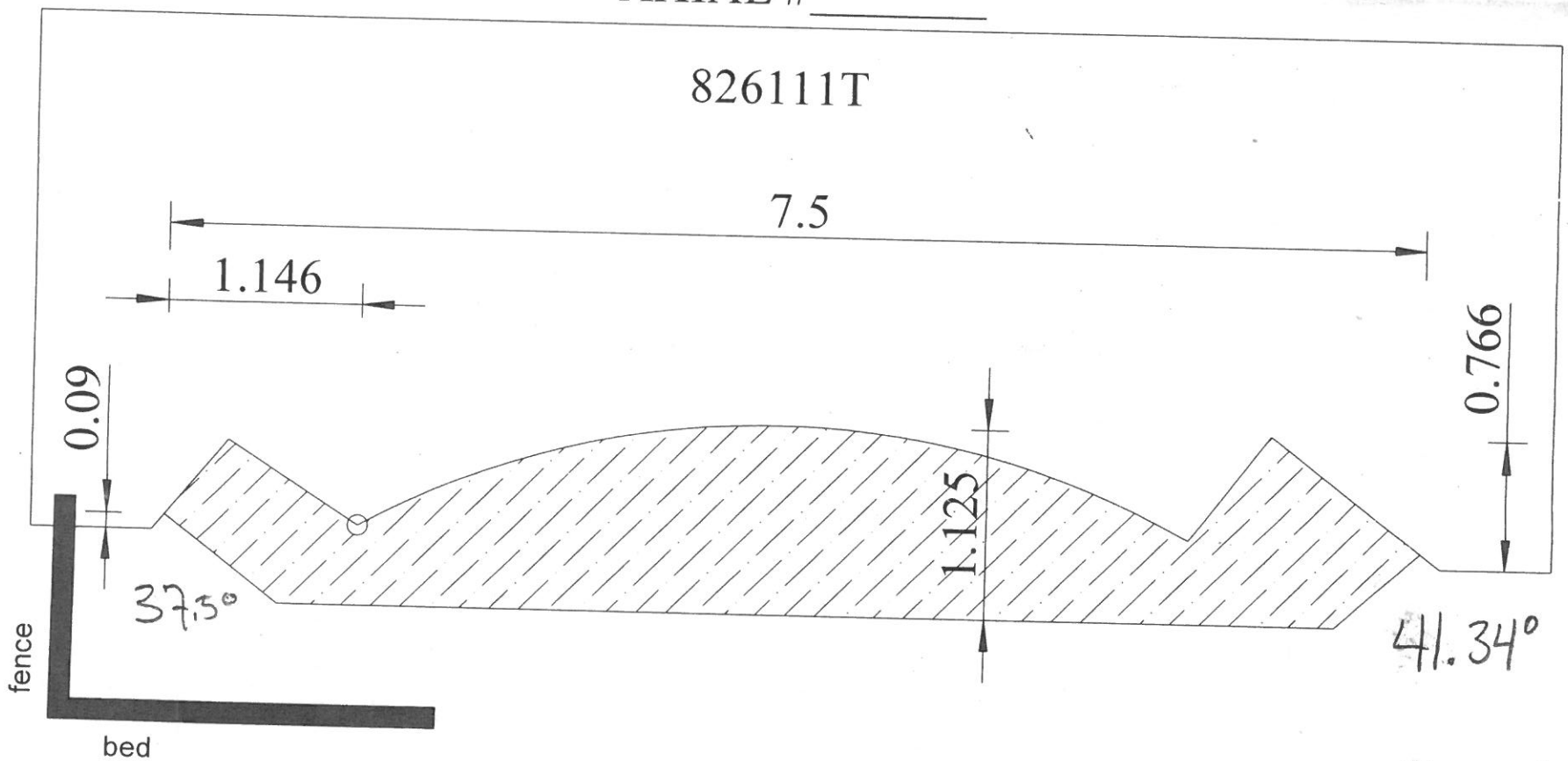


Services Requested & Material
(circle all that apply)

	Finished	Rough
M3+HSS	Double-Back	Supre
TCT Inlaid	Insert	SRS

B-71

AXIAL # _____



* Custom for Betty Rod

Michael Weing, Inc
124 Crosslake Park Drive
Mooreville, NC 28117

Sign for approval or make changes: X
DRAWN BY: Jason Lloyd

Thank you



5.856
1.757

Services Requested & Material Selection
(circle all that apply)

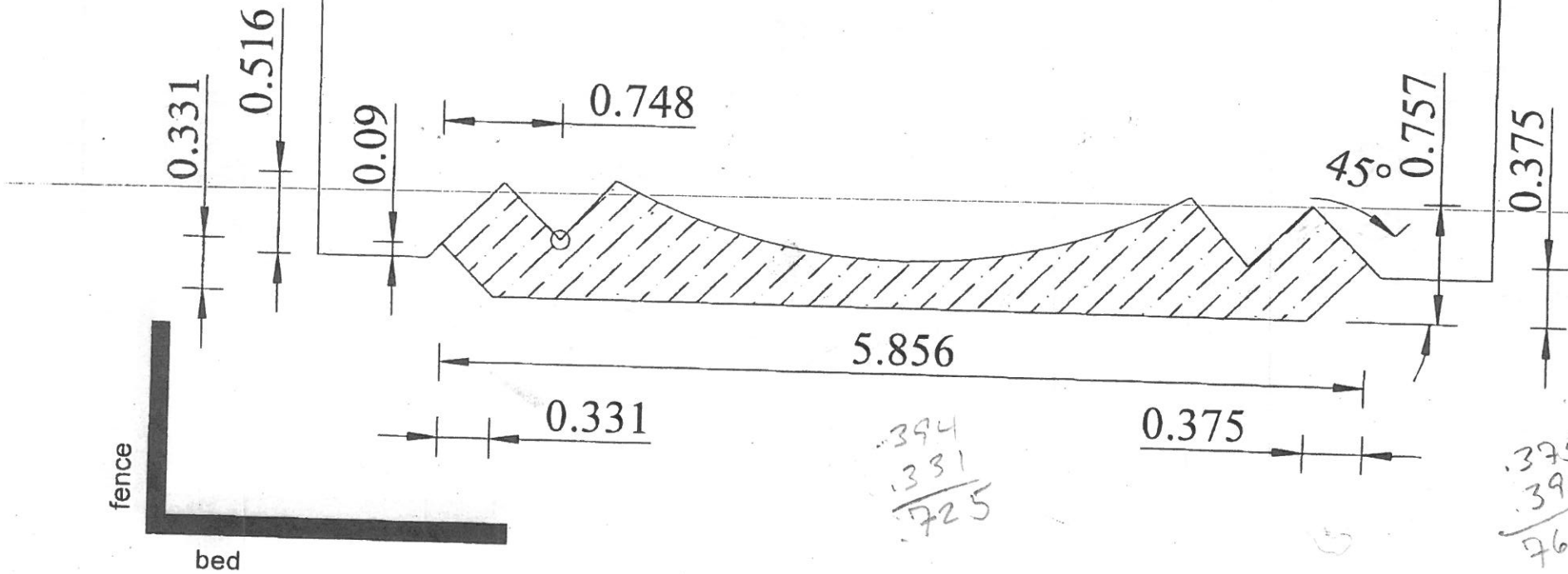
	Finished	Rough
M3+HSS	Double-Back	Supre
TCT Inlaid	Insert	SRS

AXIAL # _____

C-21

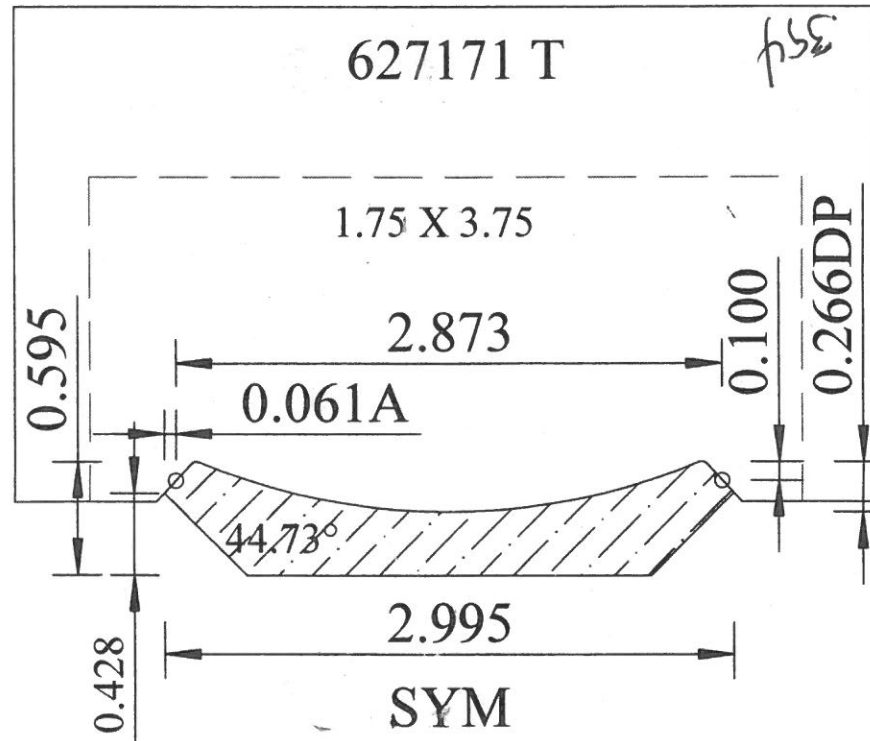
(FAX)

721113T





C-54



* Custom for
 M.D. Custom Home
 (Niebler Residen



FENCE

BED

VIEW FROM OUTFEED

THIS DRAWING IS PROPERTY OF WEINIG INC.

CLIENT NAME: FILLINGER

SIGN FOR APPROVALS: X _____
 DRAWN BY: MARIA ALEMAN

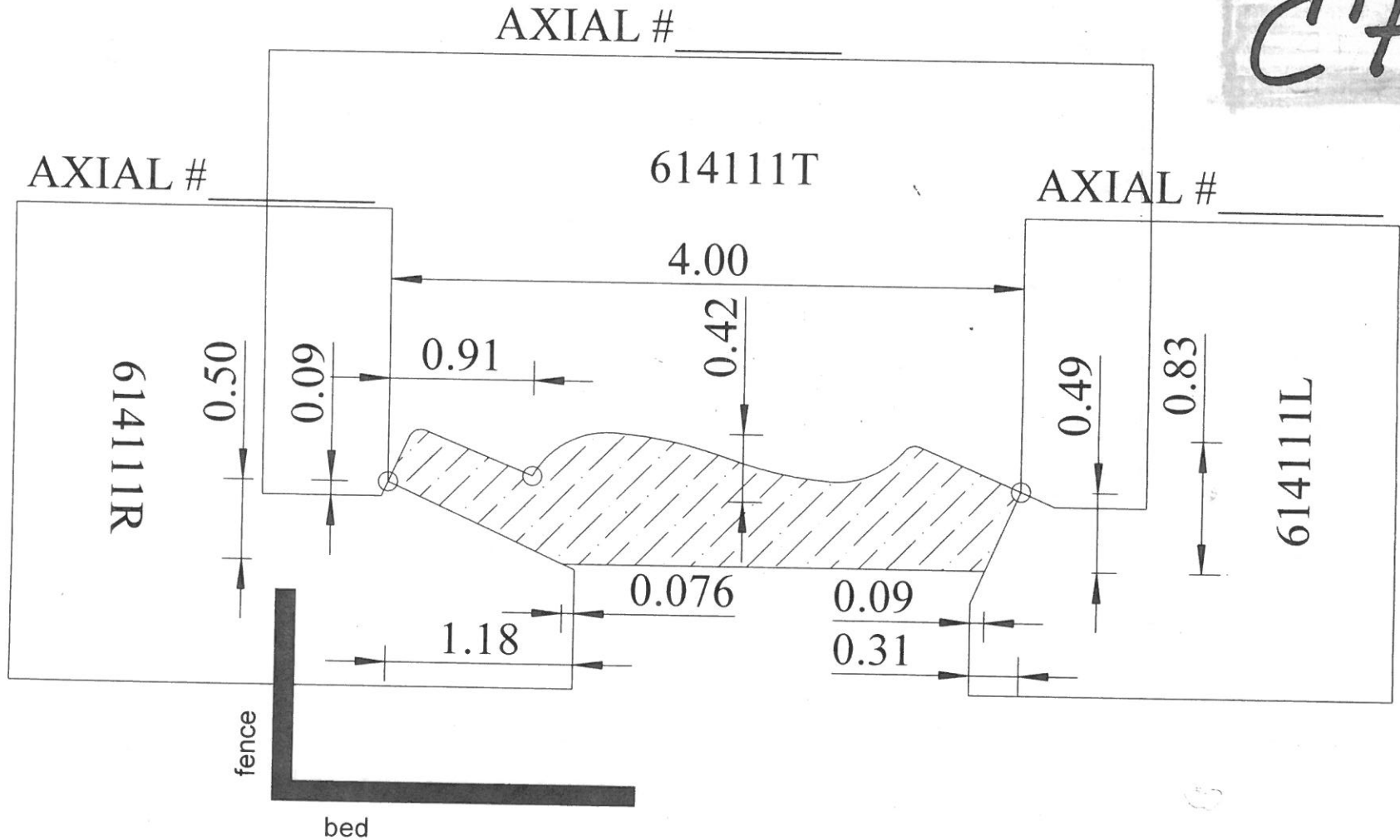
DATE: _____



Services Requested & Material Selection
(circle all that apply)

	Finished	Rough
M3+HSS	Double-Back	Supre
TCT Inlaid	Insert	SRS

C76
4.0
.834



Michael Weing, Inc
124 Crosslake Park Drive
 Mooresville, NC 28117

Sign for approval or make changes: _____
DRAWN BY: Jason Lloyd

X

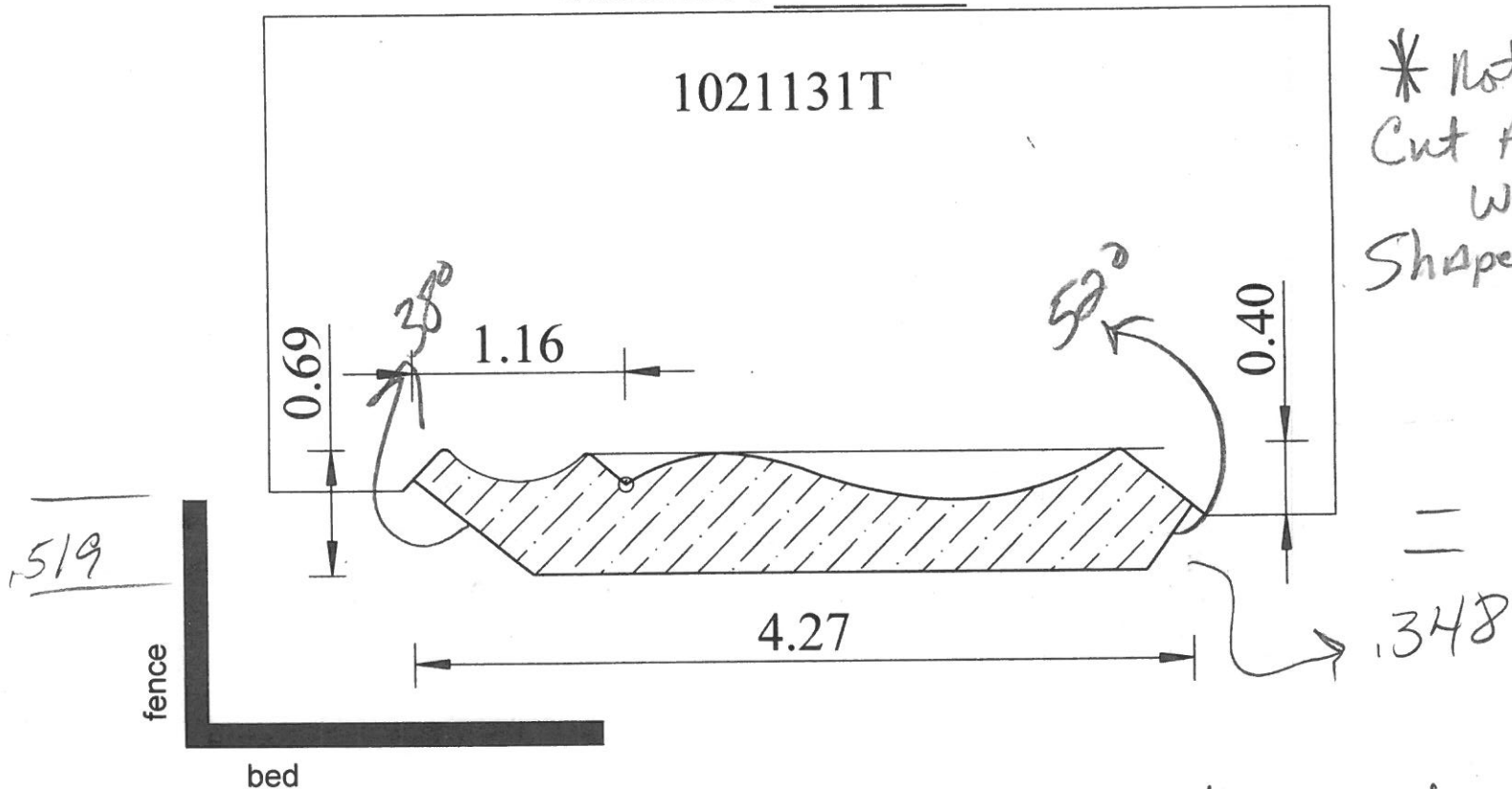
Thank you



	KNIFE MATERIAL	
M2 5/16"	M3+ HSS	SUPRE-18

C-85

AXIAL # 93E



* Note: Cannot
Cut Angles on
Weinig
Shaper only!

VIEW FROM
OUTFEED

* Custom for Jessica Tube
Design
Scott & Elizabeth Behrendt R

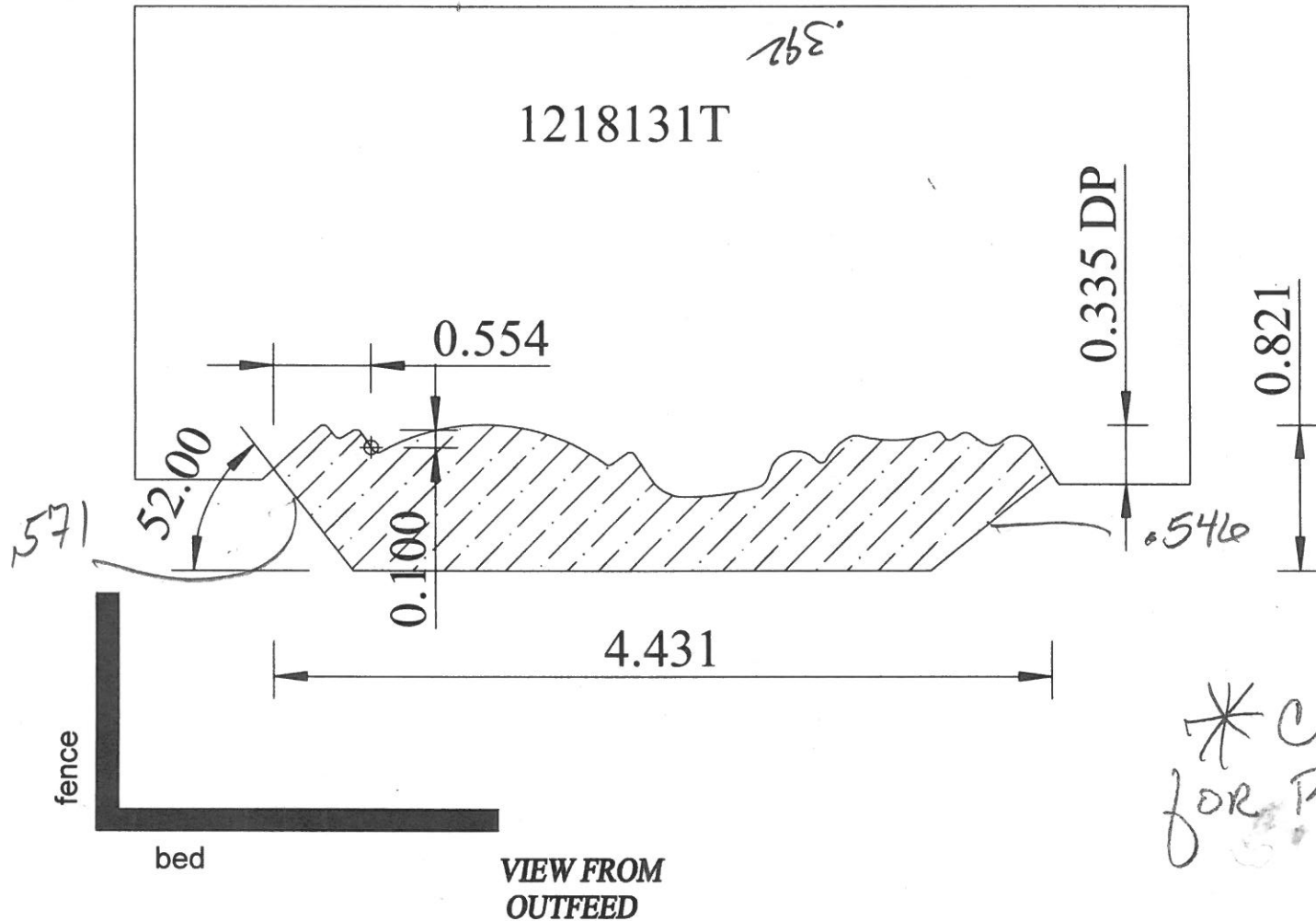
THIS DRAWING IS PROPERTY OF WEINIG INC.

Sign for approvals: X Date: _____
DRAWN BY: "Michael Neville"



	KNIFE MATERIAL	
M2 5/16"	M3+ HSS	SUPRE-18

C-92



* Custom for Robert Sel

THIS DRAWING IS PROPERTY OF WEINIG INC.

Sign for approvals: Date: _____
DRAWN BY: "Michael Neville"

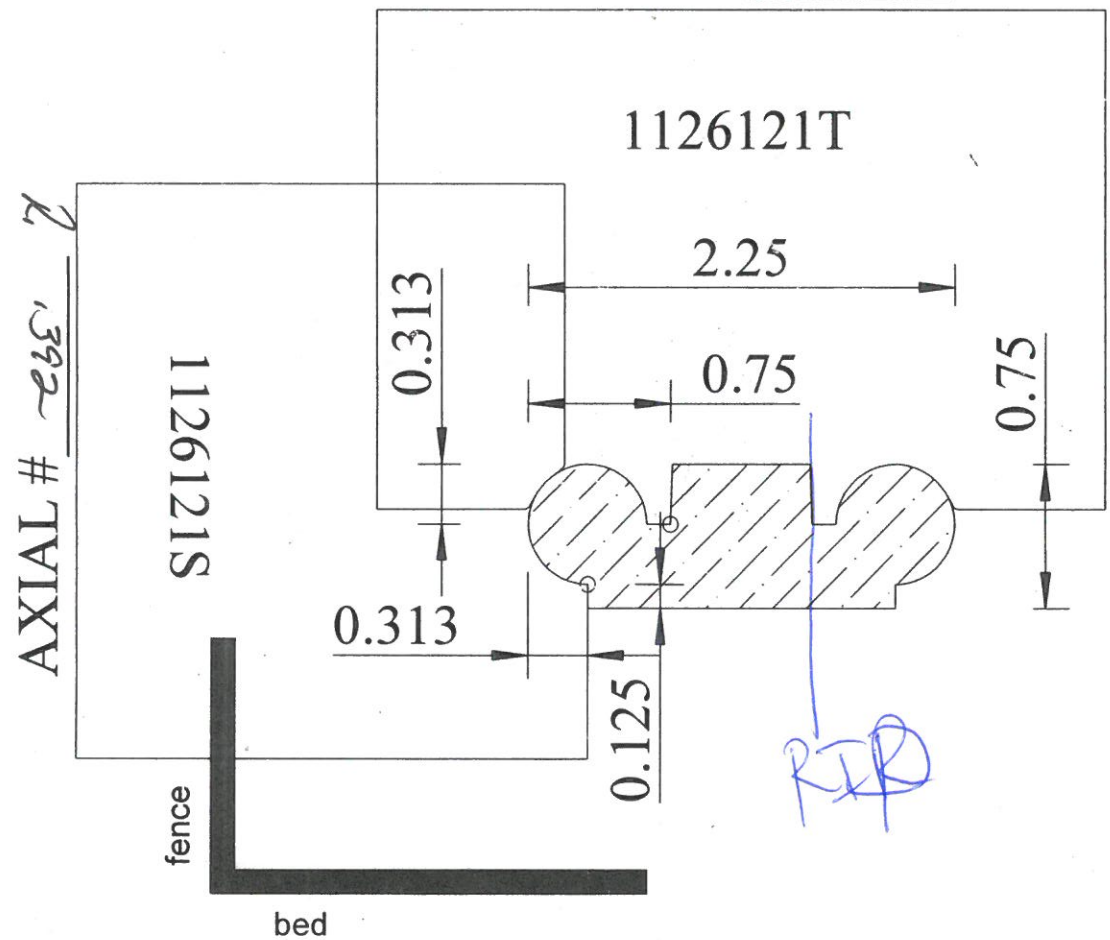


Services Requested & Material Selection
(circle all that apply)

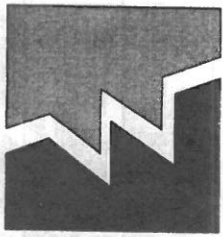
	Finished	Rough
M3+HSS	Double-Back	Supre
TCT Inlaid	Insert	SRS

A-87

AXIAL # 392

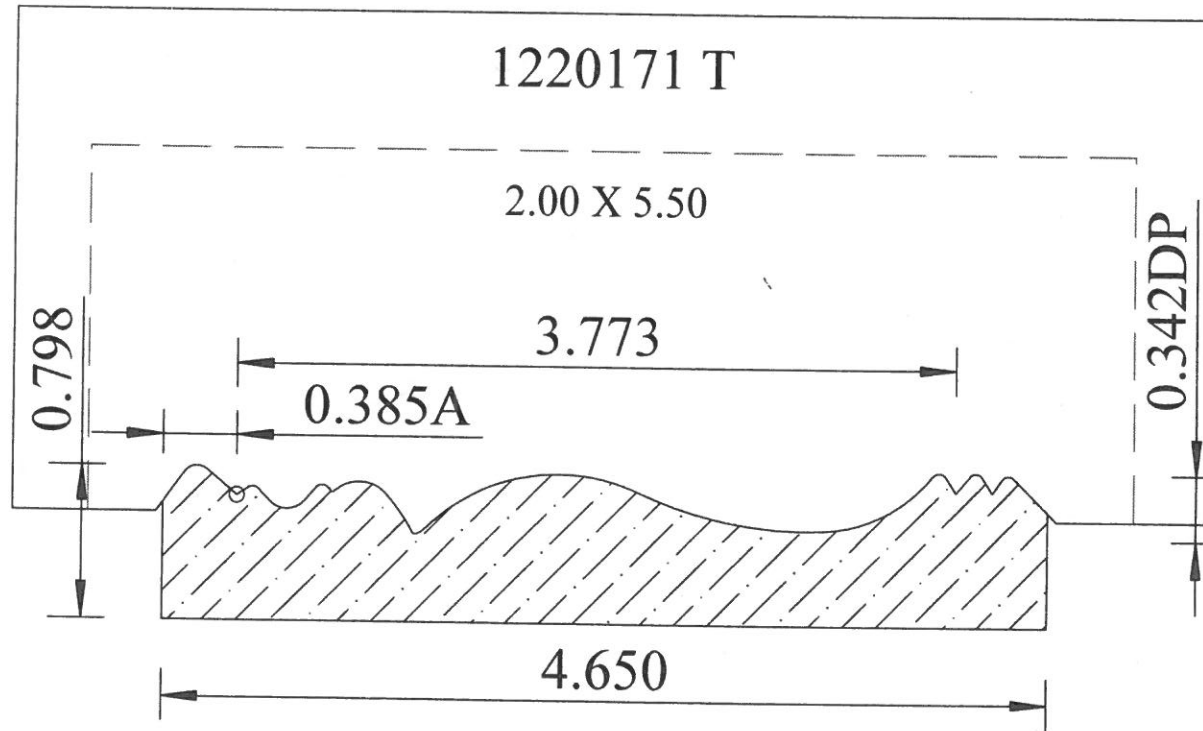


AXIAL # 392

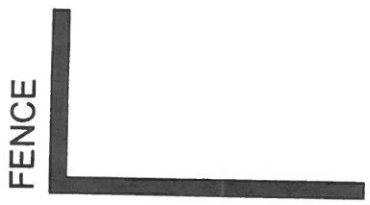


WEINIG

D-53



*Custom for Tom Dolin



FENCE

BED

VIEW FROM OUTFEED

THIS DRAWING IS PROPERTY OF WEINIG INC.

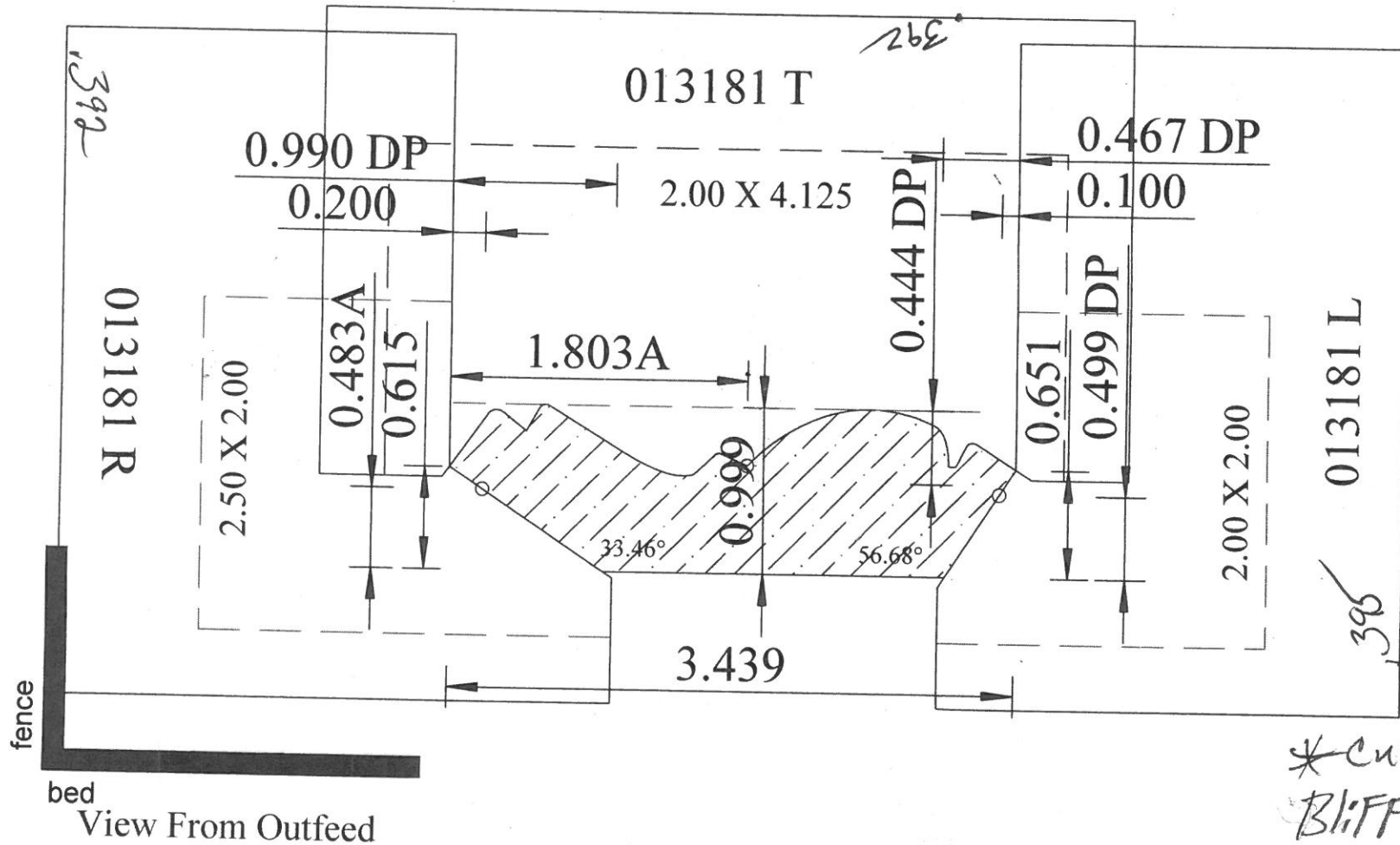
CLIENT NAME: FILLINGER

SIGN FOR APPROVALS: X _____ DATE: _____
DRAWN BY: MARIA ALEMAN



D-54

D-54

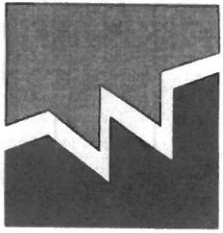


*Custom for Bliffert Lumber CO

Client Name: FILLINGER

Sign for approvals: X
DRAWN BY: "Igor Arsenovich" Date: _____

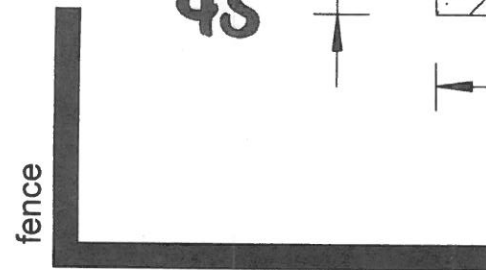
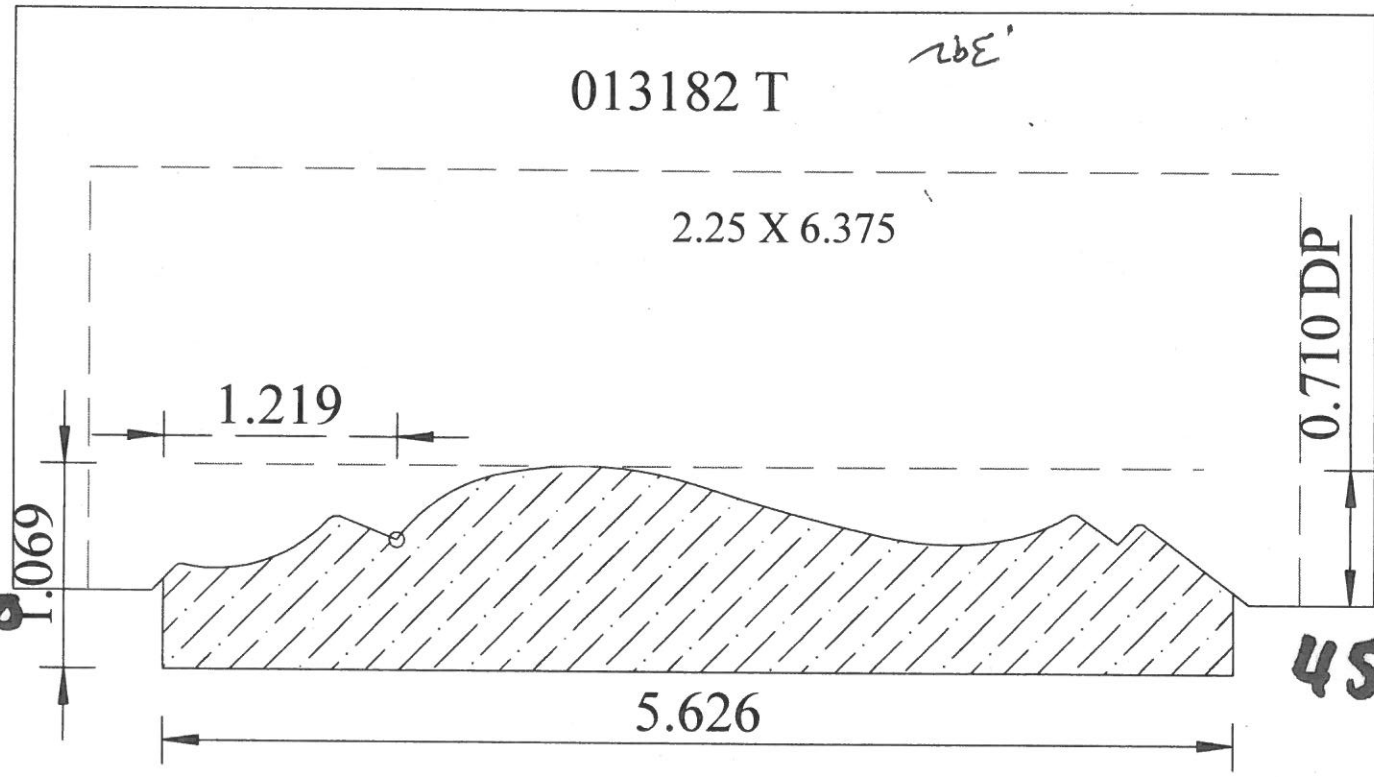
THIS DRAWING IS PROPERTY OF WEINIG INC.



WEINIG

D-55

D-55



View From Outfeed

* Custom for
Bliffer Lumber
Co.

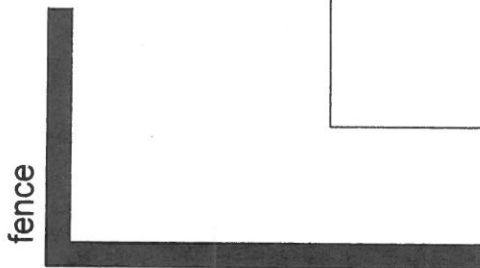
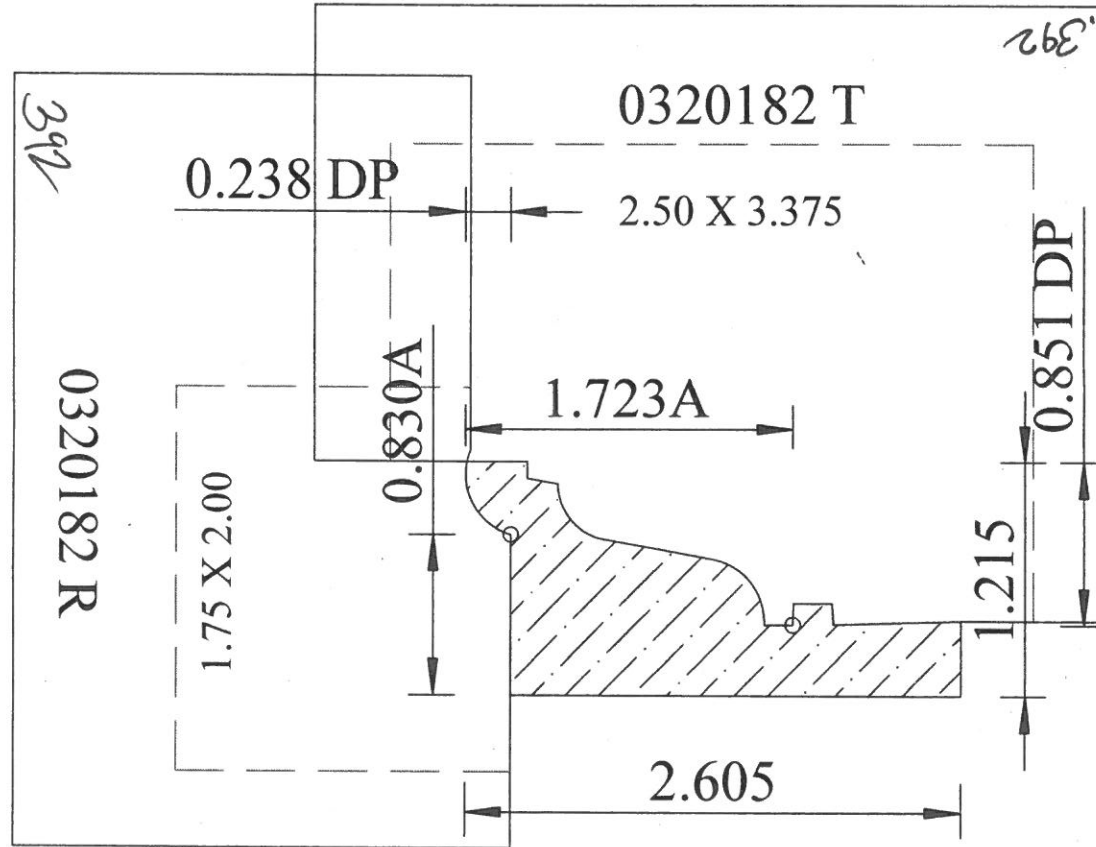
Client Name: FILLINGER

Sign for approvals: X
DRAWN BY: "Igor Arsenovich" Date: _____

THIS DRAWING IS PROPERTY OF WEINIG INC.



D-58



View From Outfeed

* Custom for Kevin Nicholas

Client Name: FILLINGER

Sign for approvals: X Date: _____
DRAWN BY: "Igor Arsenovich"

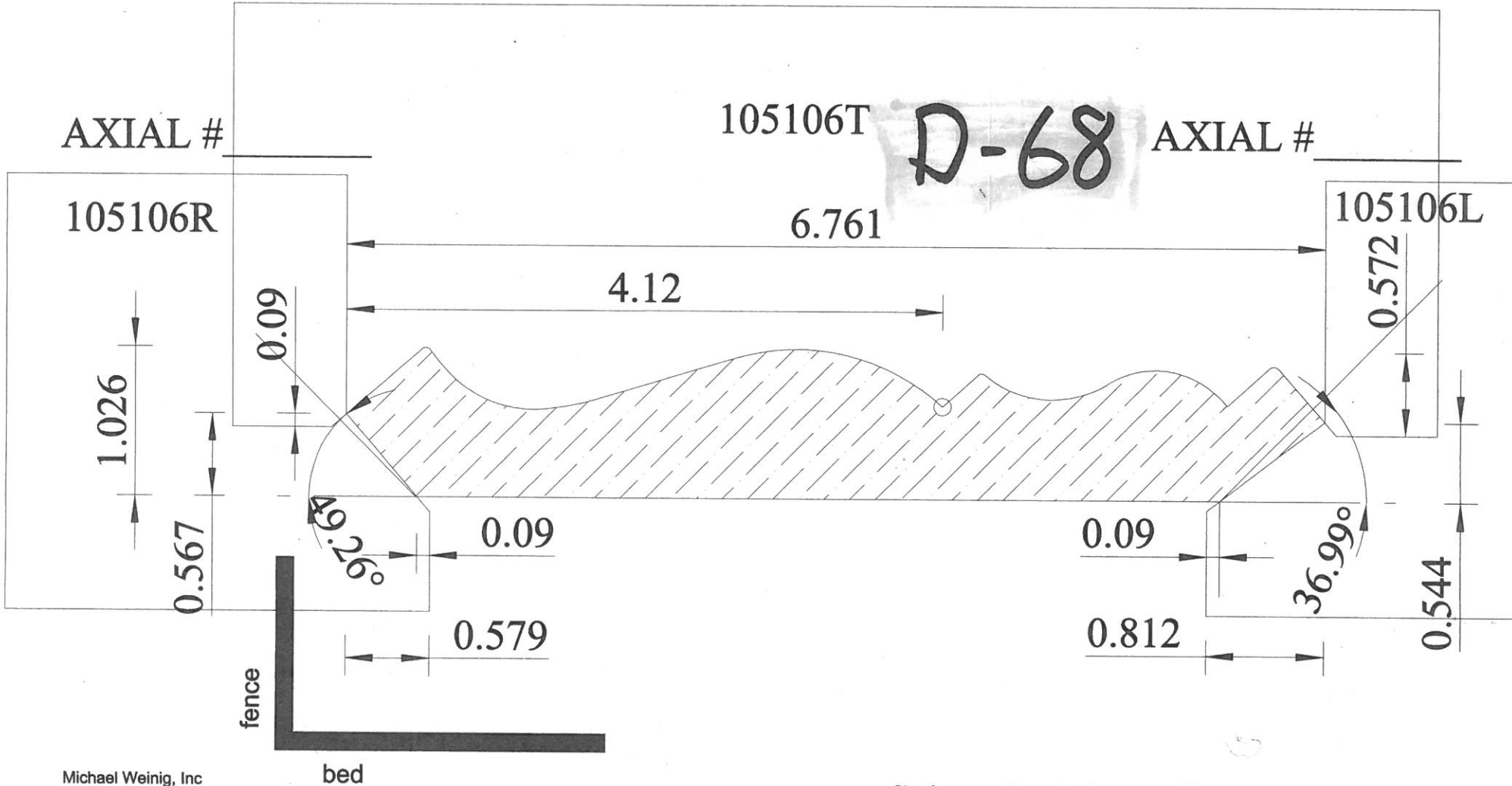
THIS DRAWING IS PROPERTY OF WEINIG INC.



Services Requested & Material Selection
(circle all that apply)

	Finished	Rough
M3+HSS	Double-Back	Supre
TCT Inlaid	Insert	SRS

AXIAL # _____



Michael Weing, Inc
124 Crosslake Park Drive
Mooresville, NC 28117

Sign for approval or make changes: X
DRAWN BY: Jason Lloyd

Thank you

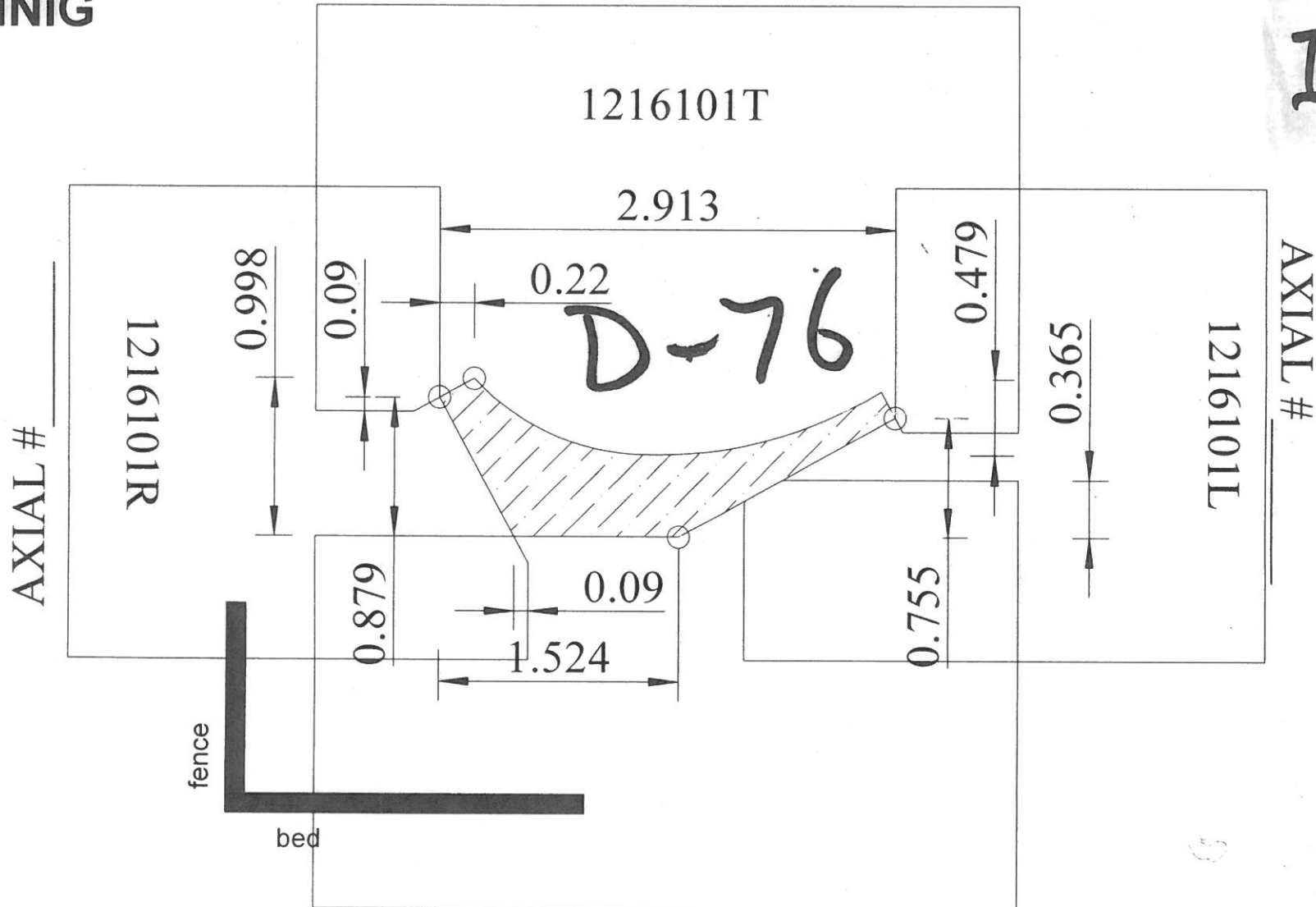


Services Requested & Material Selection
(circle all that apply)

	Finished	Rough
M3+HSS	Double-Back	Supre
TCT Inlaid	Insert	SRS

AXIAL # _____

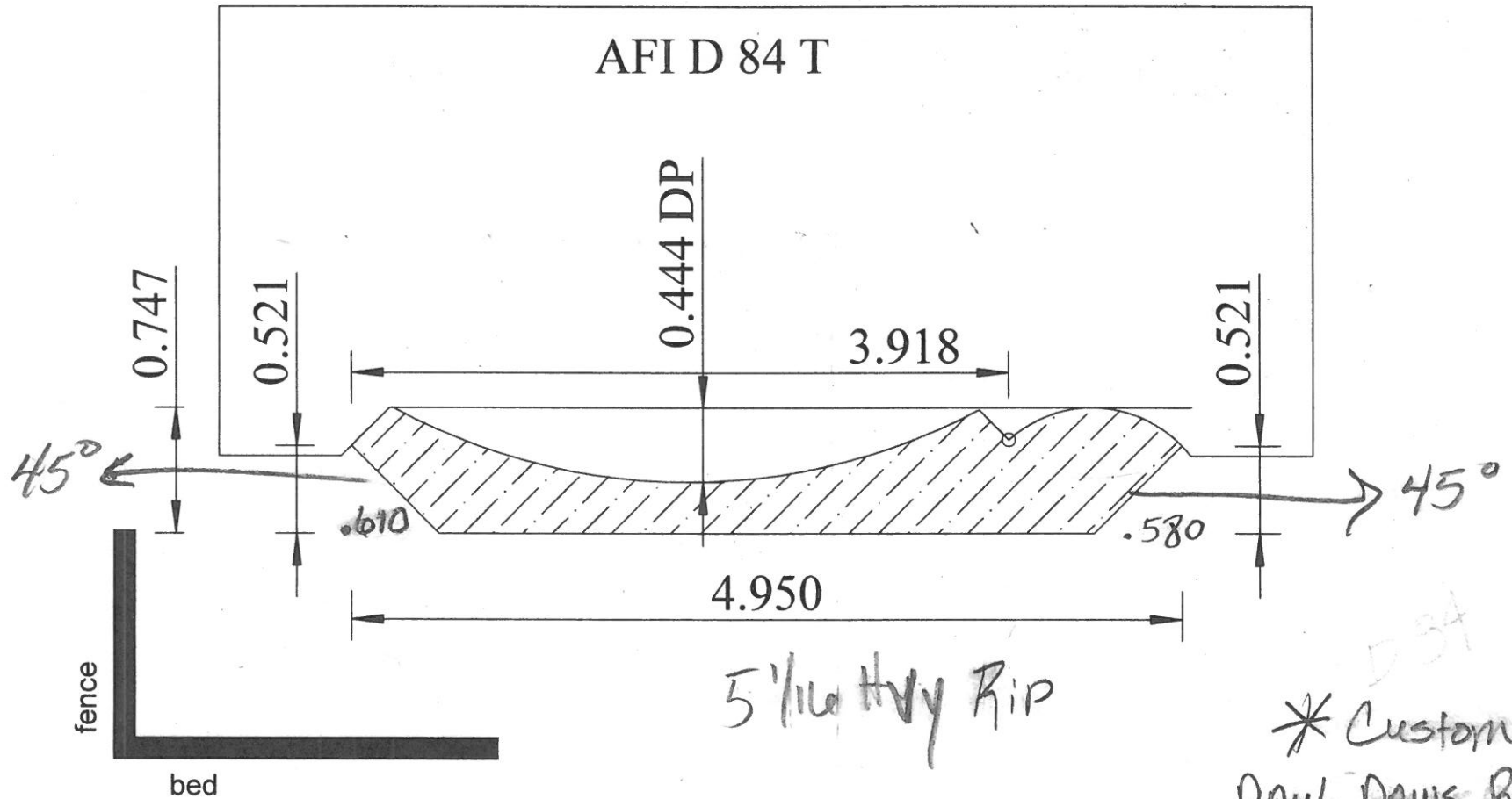
D-76





	KNIFE MATERIAL	
M2 5/16"	M3+ HSS	SUPRE-18

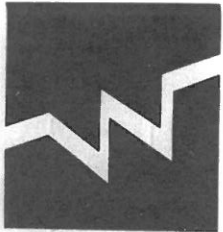
D-84



VIEW FROM
OUTFEED

THIS DRAWING IS PROPERTY OF WEINIG INC.

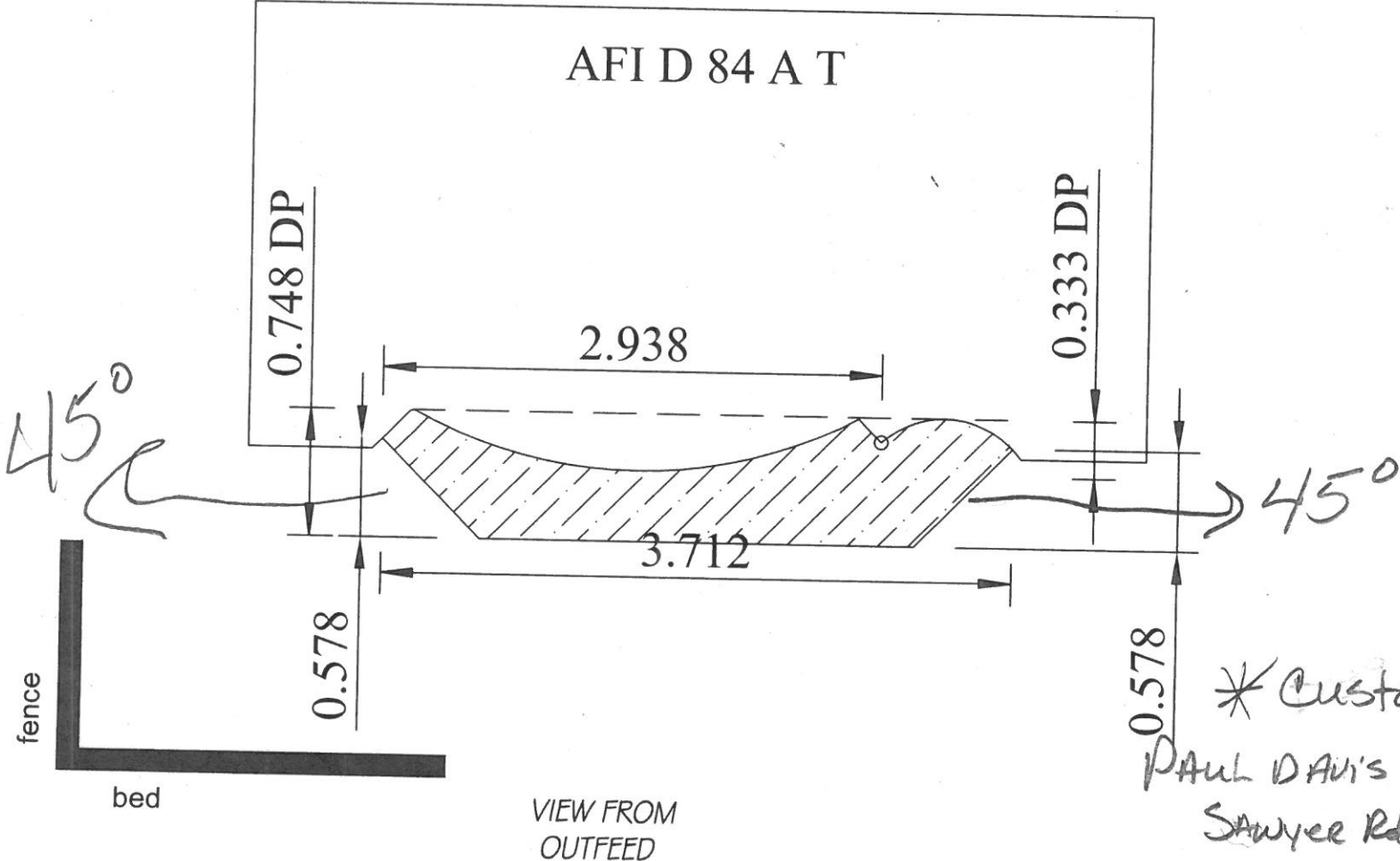
Sign for approvals: X Date: _____
DRAWN BY: "Michael Neville"



WEINIG

	KNIFE MATERIAL	
M2 5/16"	M3+ HSS	SUPRE-18

D-89



* Custom for Paul Davi's Restora
Sawyer Rd Project

THIS DRAWING IS PROPERTY OF WEINIG INC.

Sign for approvals: X
DRAWN BY: "Michael Neville" Date: _____

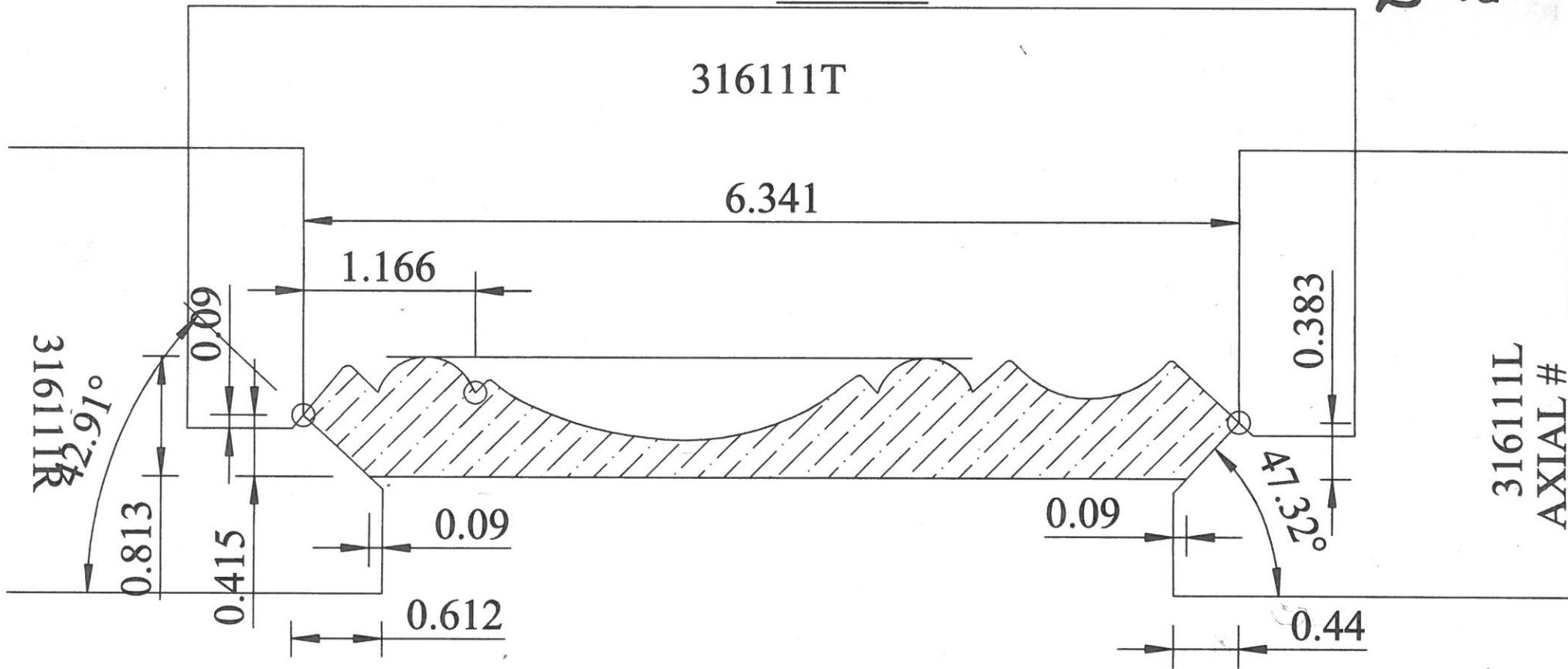


Grid E-16

	Finished	Rough
M3+HSS	Double-Back	Supre
TCT Inlaid	Insert	SRS

AXIAL # _____

E-16





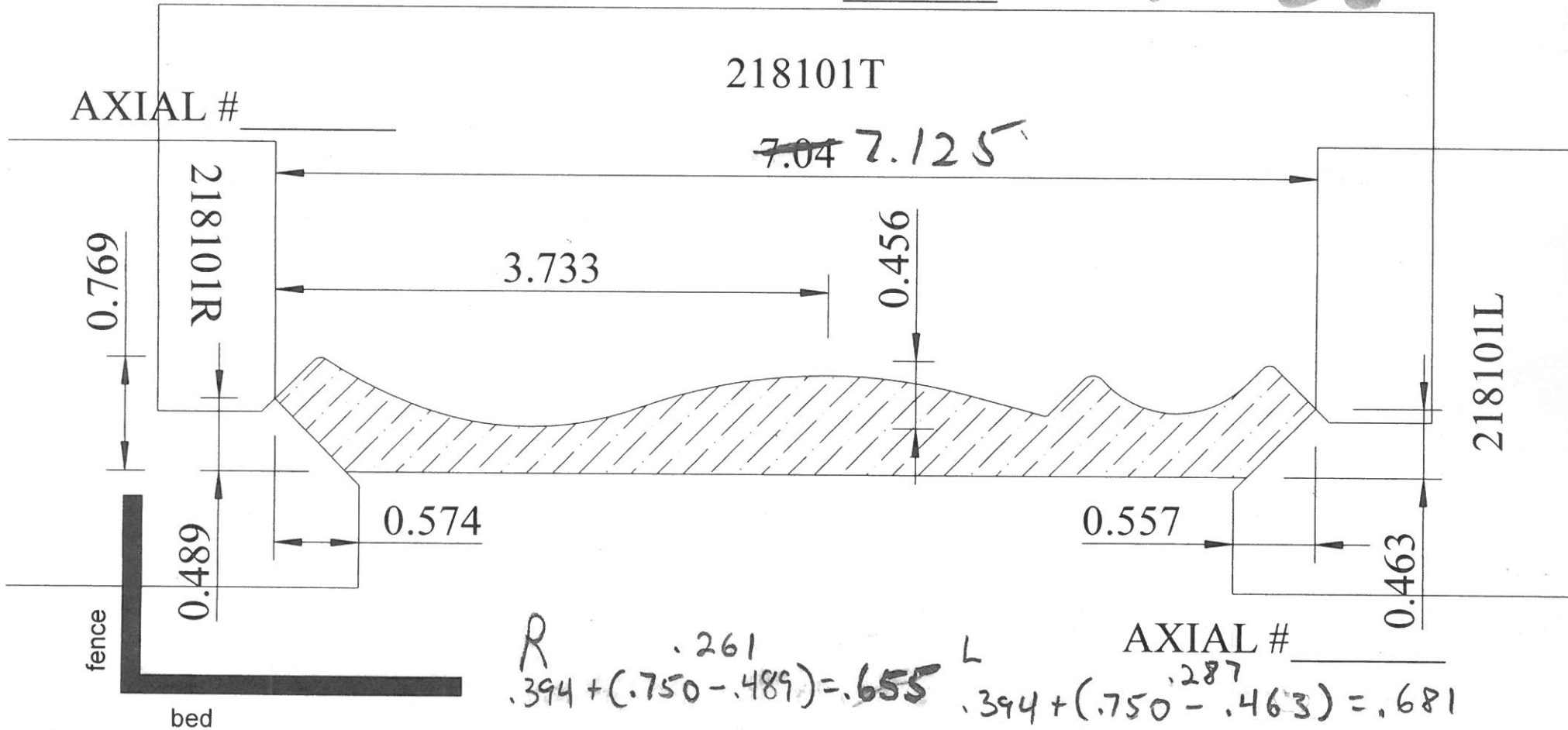
**WEINIG
GROUP**

Services Requested & Material Selection
(circle all that apply)

	Finished	Rough
M3+HSS	Double-Back	Supre
TCT Inlaid	Insert	SRS

AXIAL # .340

E-66



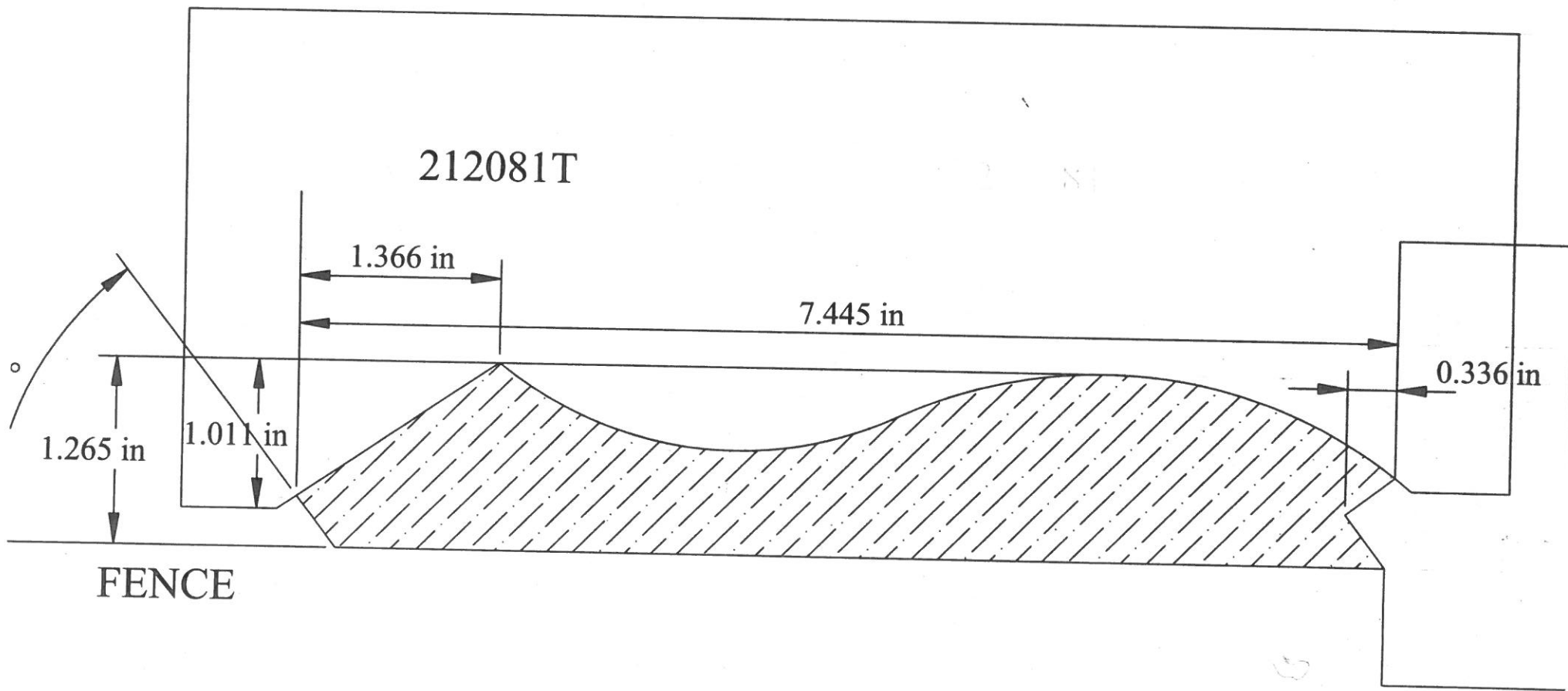
Michael Weinig, Inc
124 Crosslake Park Drive
 Mooresville, NC 28117

Sign for approval or make changes: X

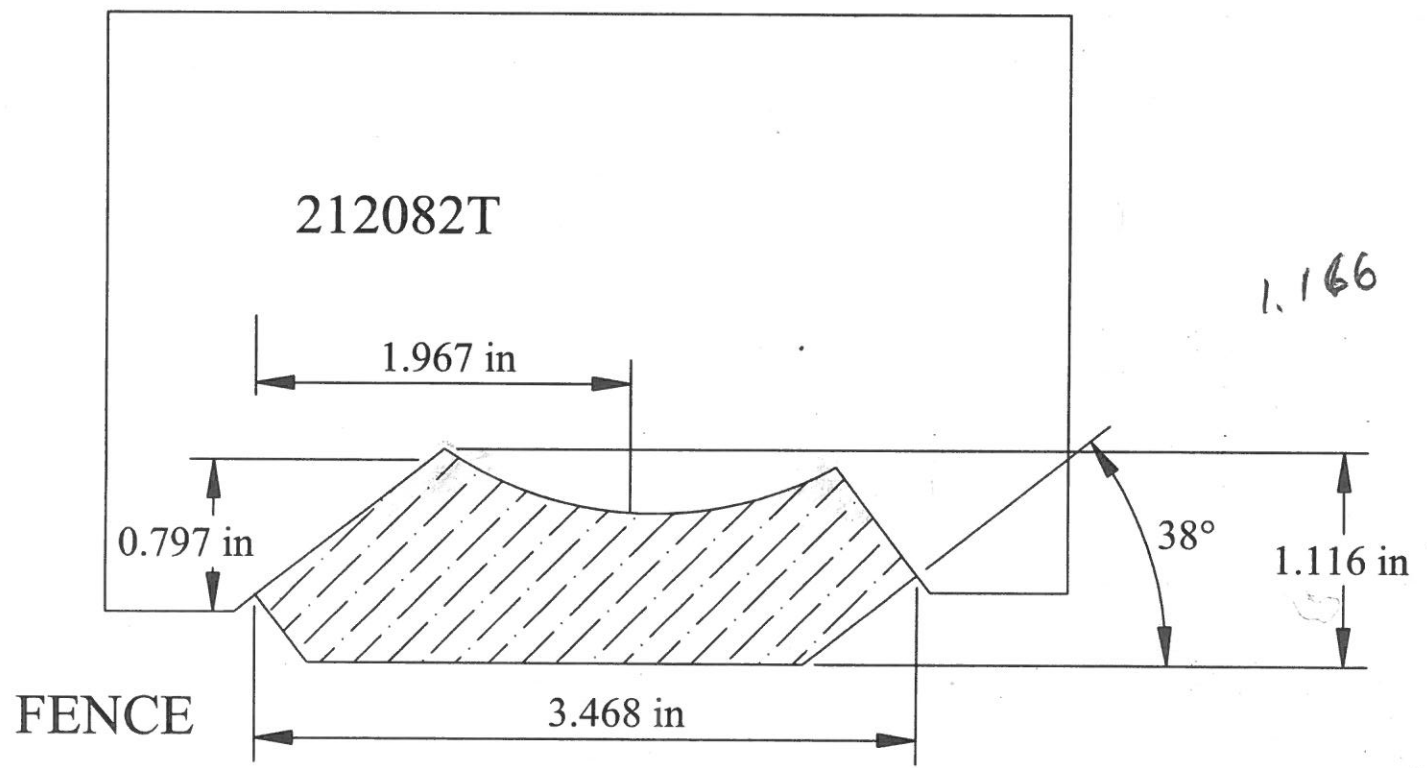
DRAWN BY: Jason Lloyd

Thank you

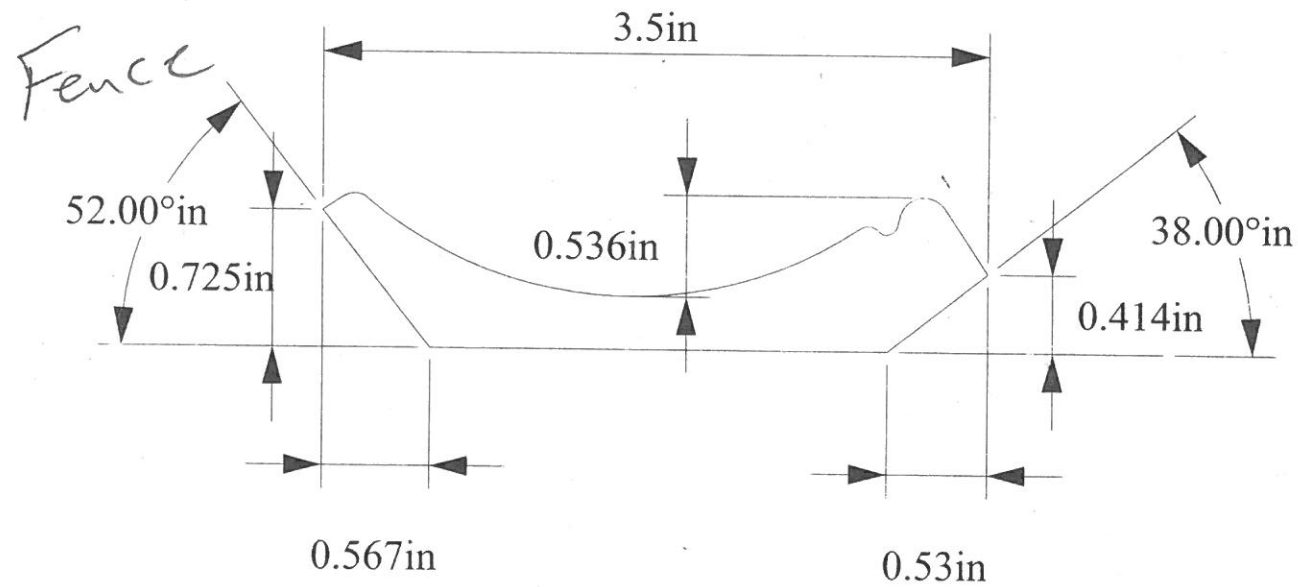
E-70



E-71



E-72



Right

Left

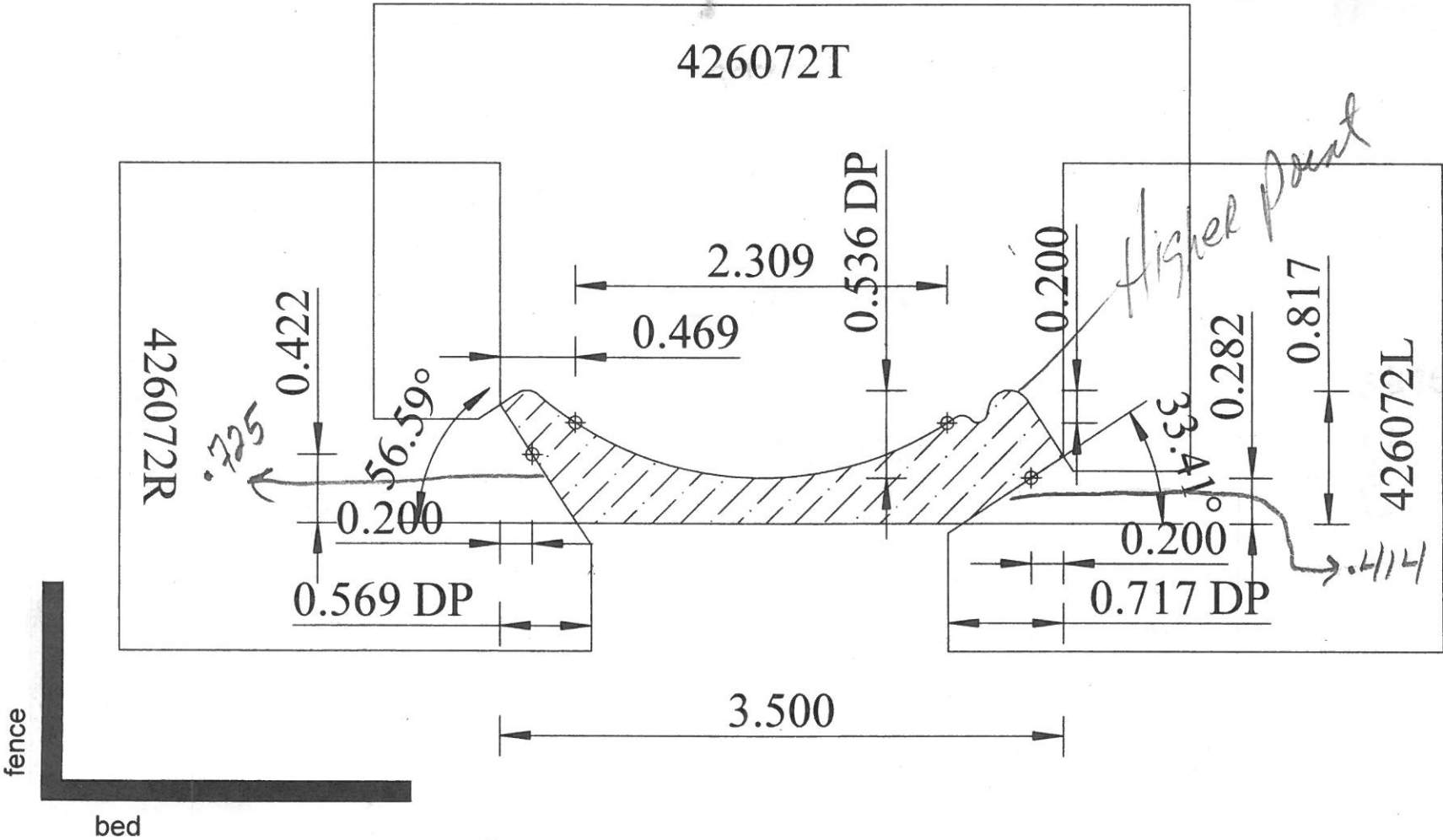
$$- .302$$
$$.394 + (.423 - .725) = .092$$

$$.093$$
$$.394 + (.507 - .414) = .487$$



	KNIFE MATERIAL	
M2 5/16"	M3+ HSS	SUPRE-18

E-77



VIEW FROM
OUTFEED

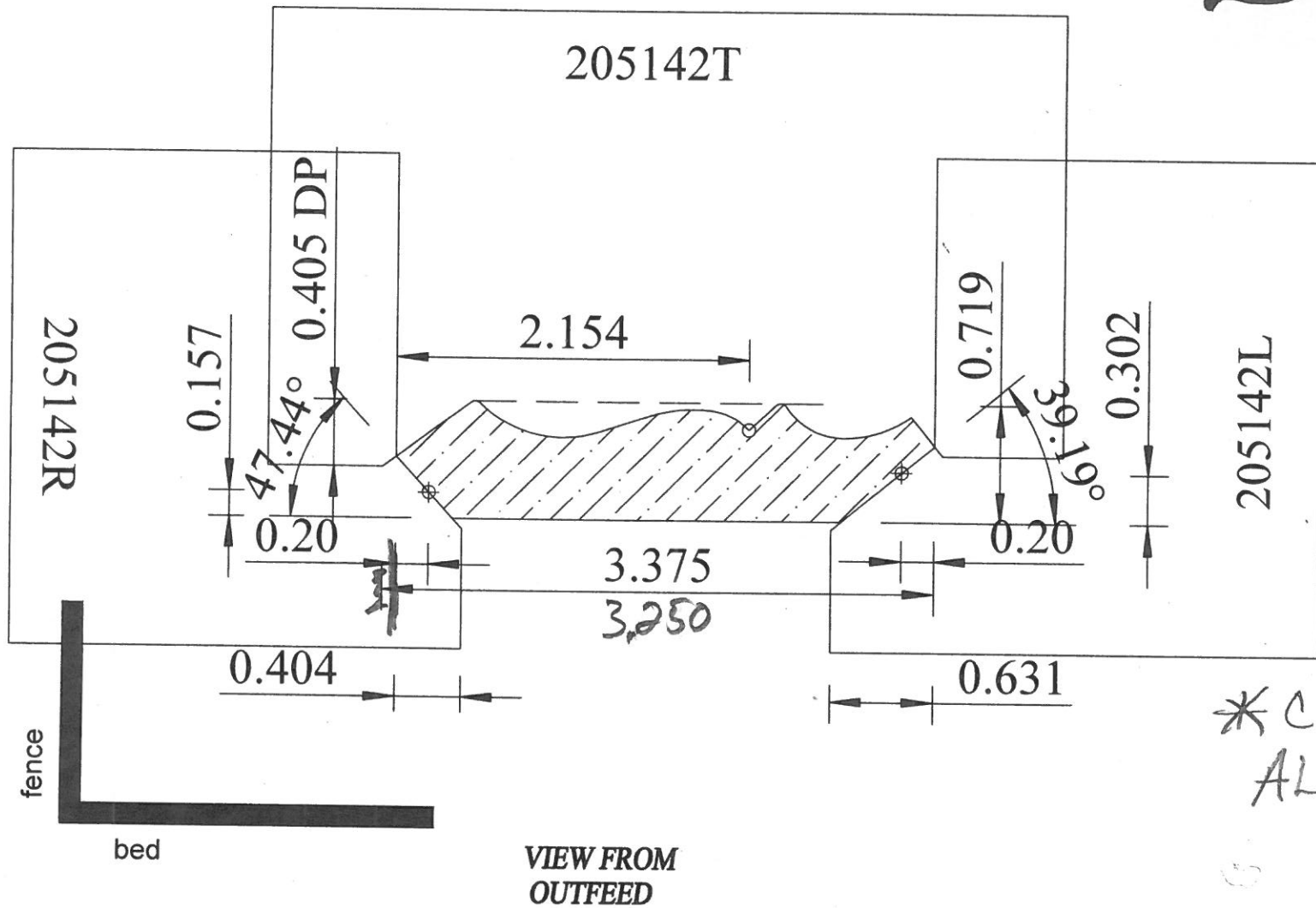
THIS DRAWING IS PROPERTY OF WEINIG INC.

Sign for approvals: X
DRAWN BY: "Todd Ferrell" *7757* Date: _____



	KNIFE MATERIAL	
M2 5/16"	M3+ HSS	SUPRE-18

E-80



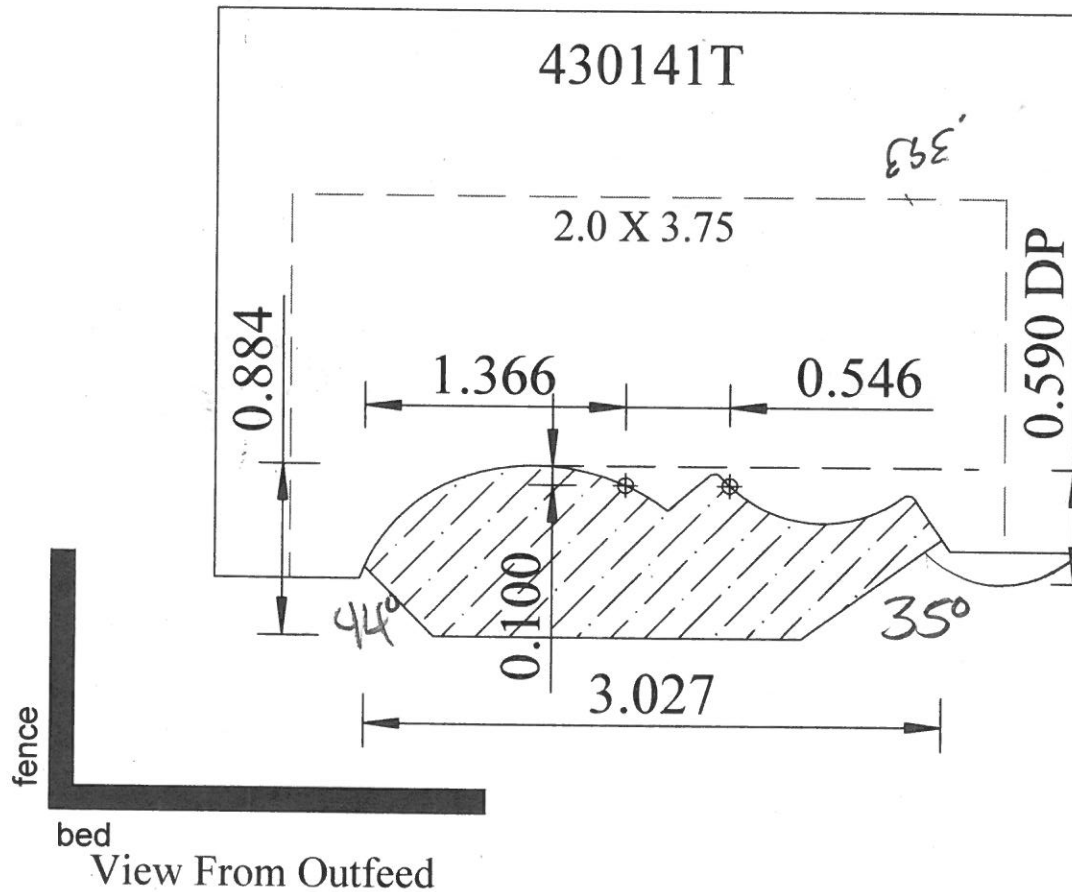
* Custom for ALLEN VIEAU

THIS DRAWING IS PROPERTY OF WEINIG INC.

Sign for approvals: X
DRAWN BY: "Michael Neville" Date: _____



E-83



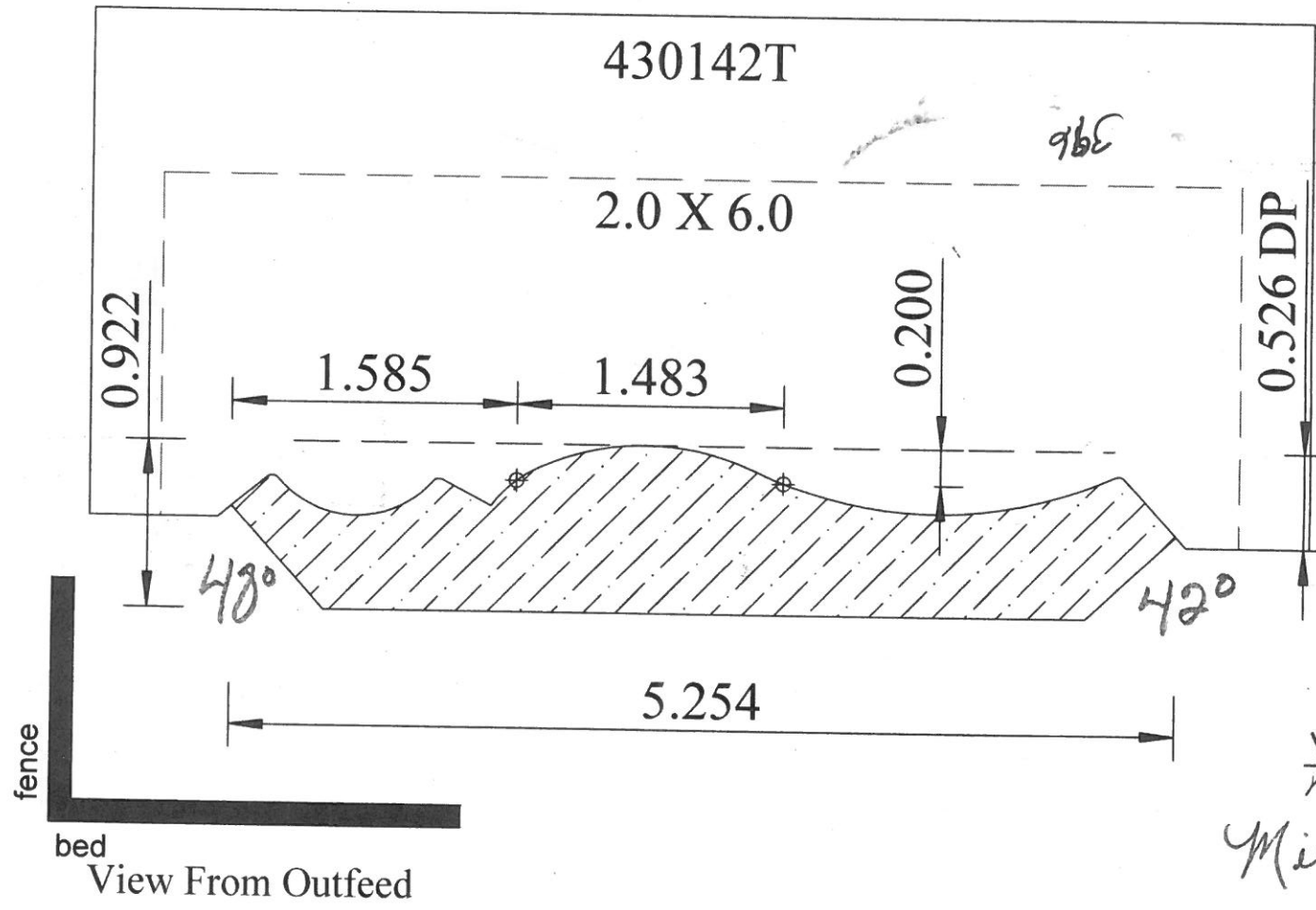
Client Name: FILLINGER

Sign for approvals: X Date: _____
DRAWN BY: "Michael Neville"

THIS DRAWING IS PROPERTY OF WEINIG INC.



E-84



Will not sit on wall properly due to Angles!

*Custom for Milwaukee Public School

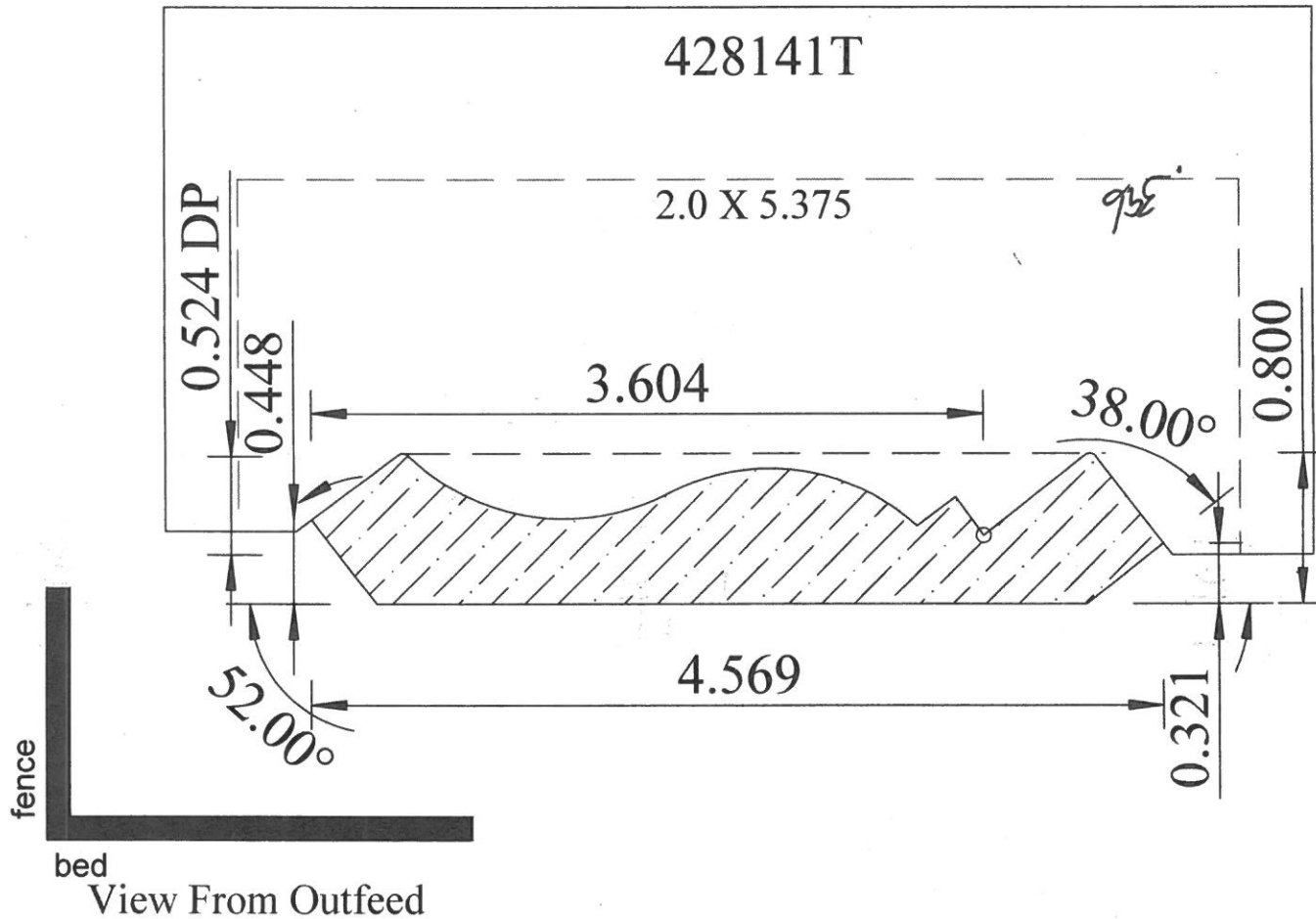
Client Name: FILLINGER

Sign for approvals: X
DRAWN BY: "Michael Neville" Date: _____

THIS DRAWING IS PROPERTY OF WEINIG INC.



E-85



* Custom for Halen Homes

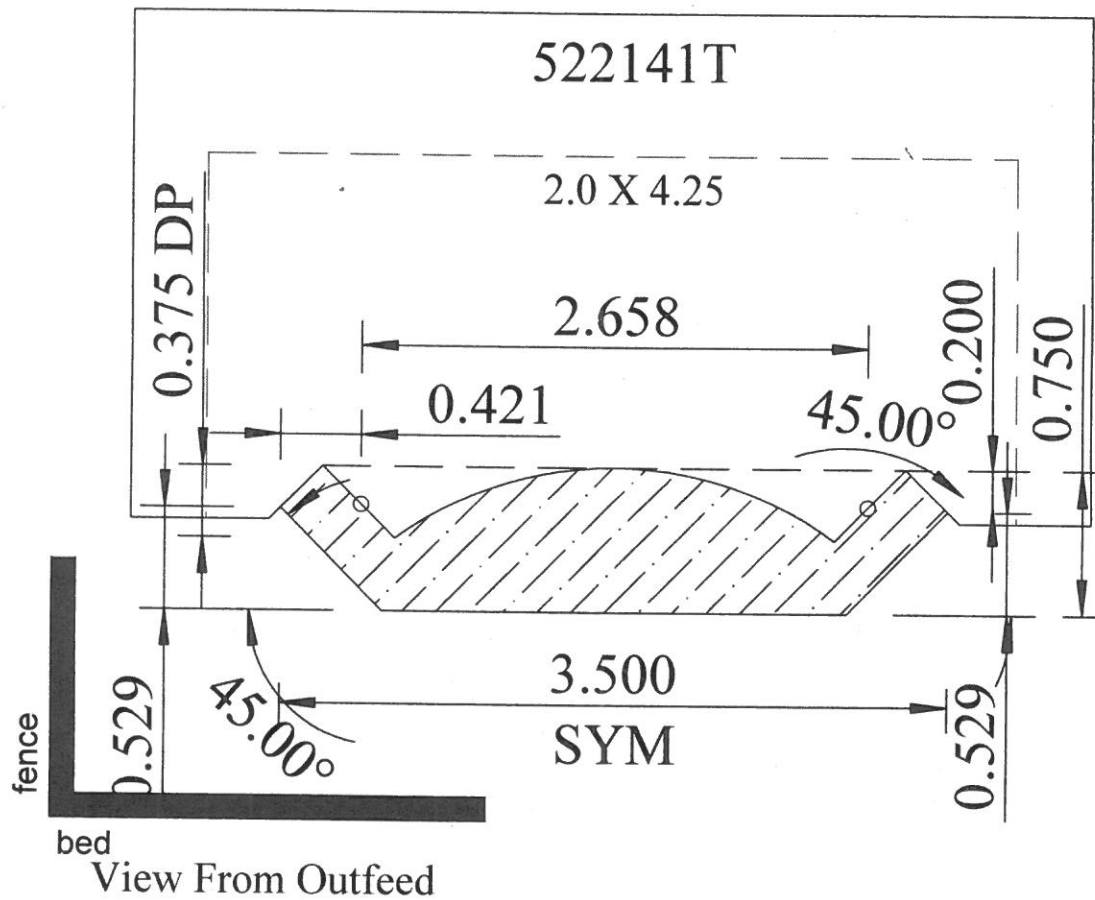
Client Name: FILLINGER

Sign for approvals: X Date: _____
DRAWN BY: "Michael Neville"

THIS DRAWING IS PROPERTY OF WEINIG INC.



E-87

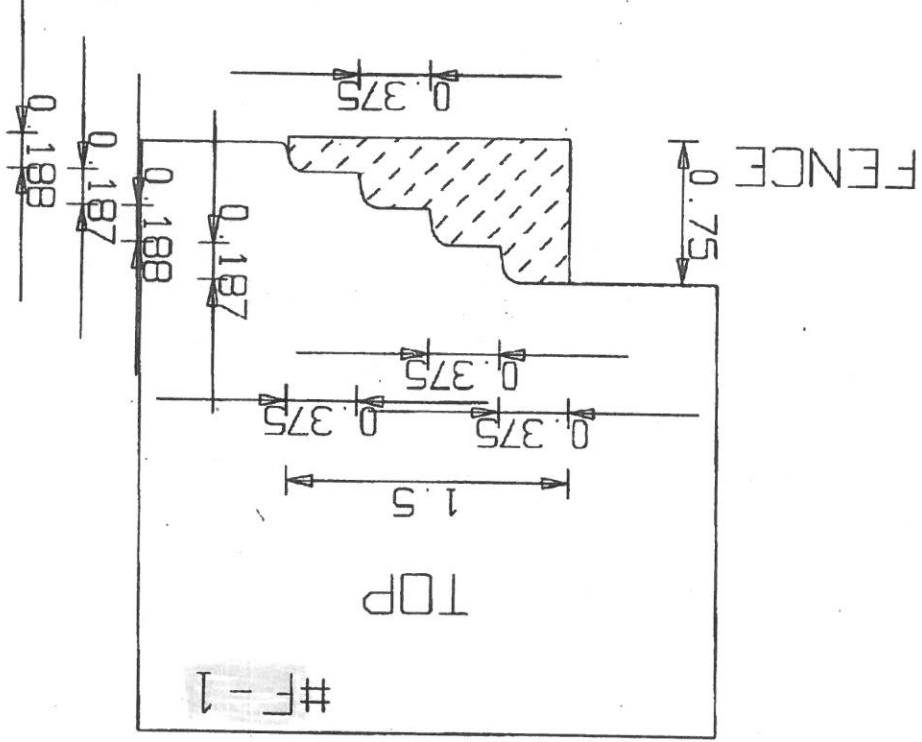


*Custom for
SAZMA Remodeler
(Kenealey)

Client Name: FILLINGER

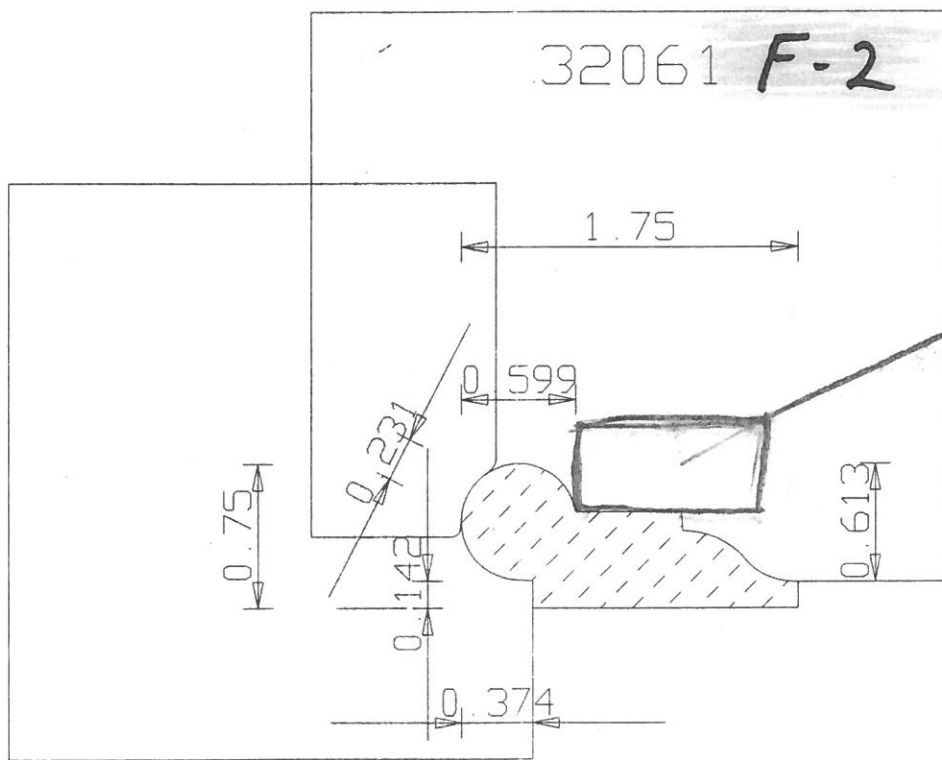
Sign for approvals: X

Date: _____



OK

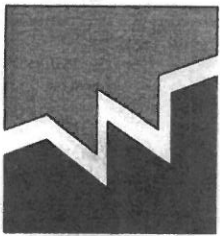
FILLINGER



One
Hold
Down
shoe
only

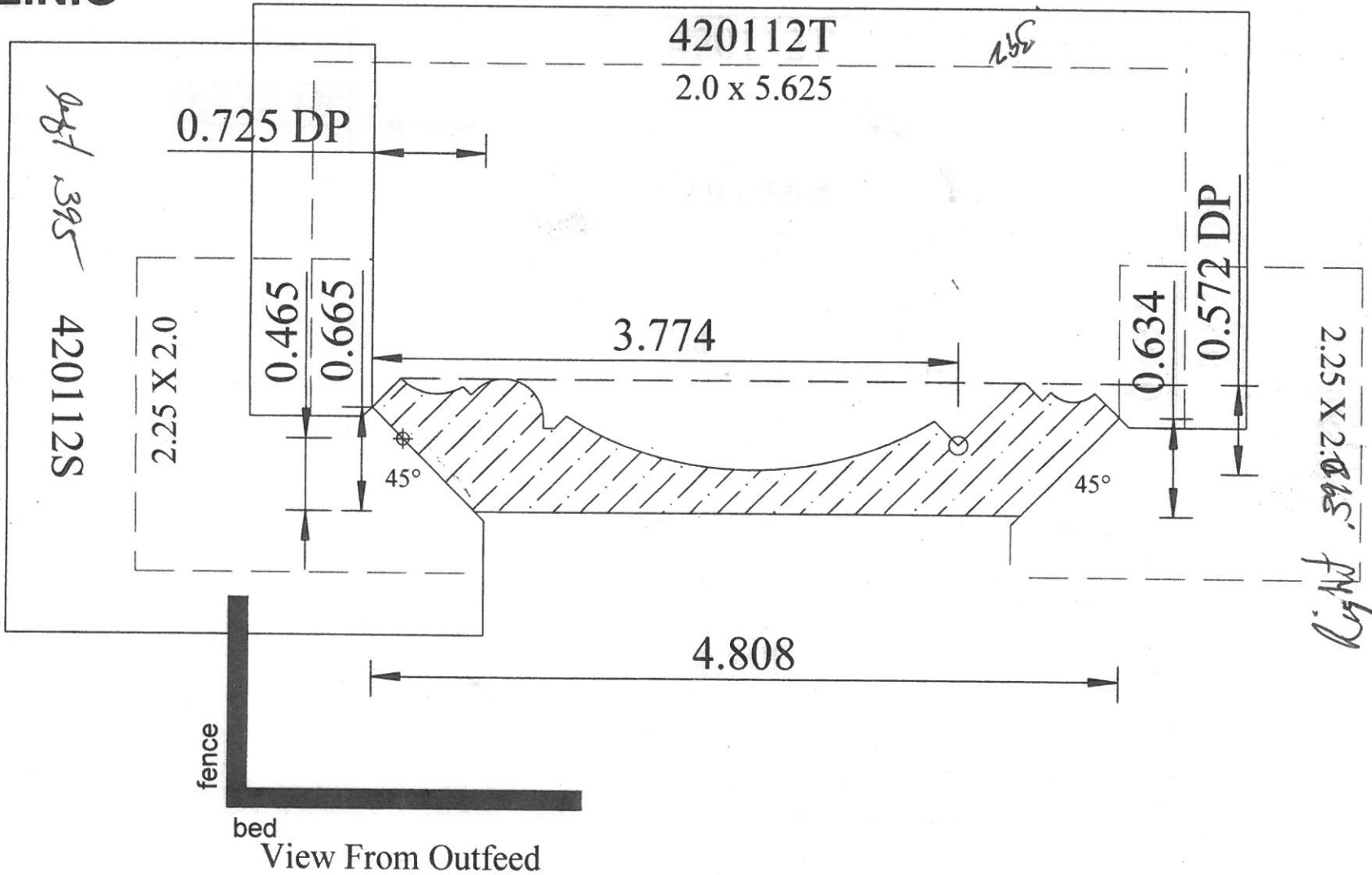
FENCE

F-2



WEINIG

F-16

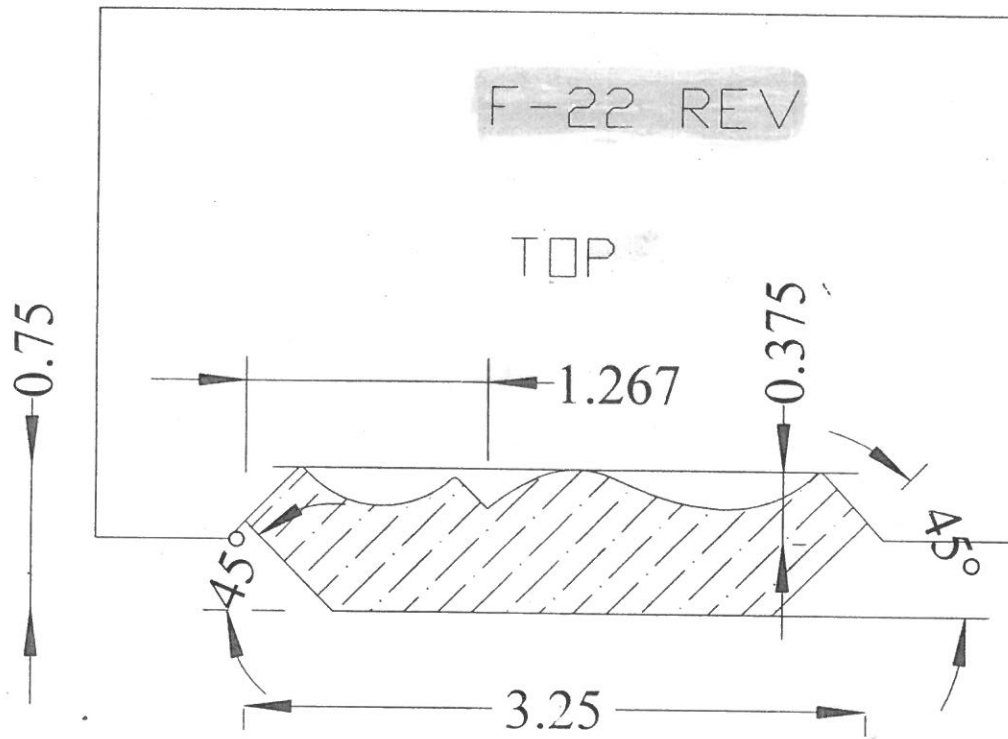


Client Name: FILLINGER

Sign for approvals: X
DRAWN BY: "Michael Neville"

Date: _____

THIS DRAWING IS PROPERTY OF WEINIG INC.



Use the same side angles

$$R \quad .31$$

$$.394 + (.750 - .44) = .704$$

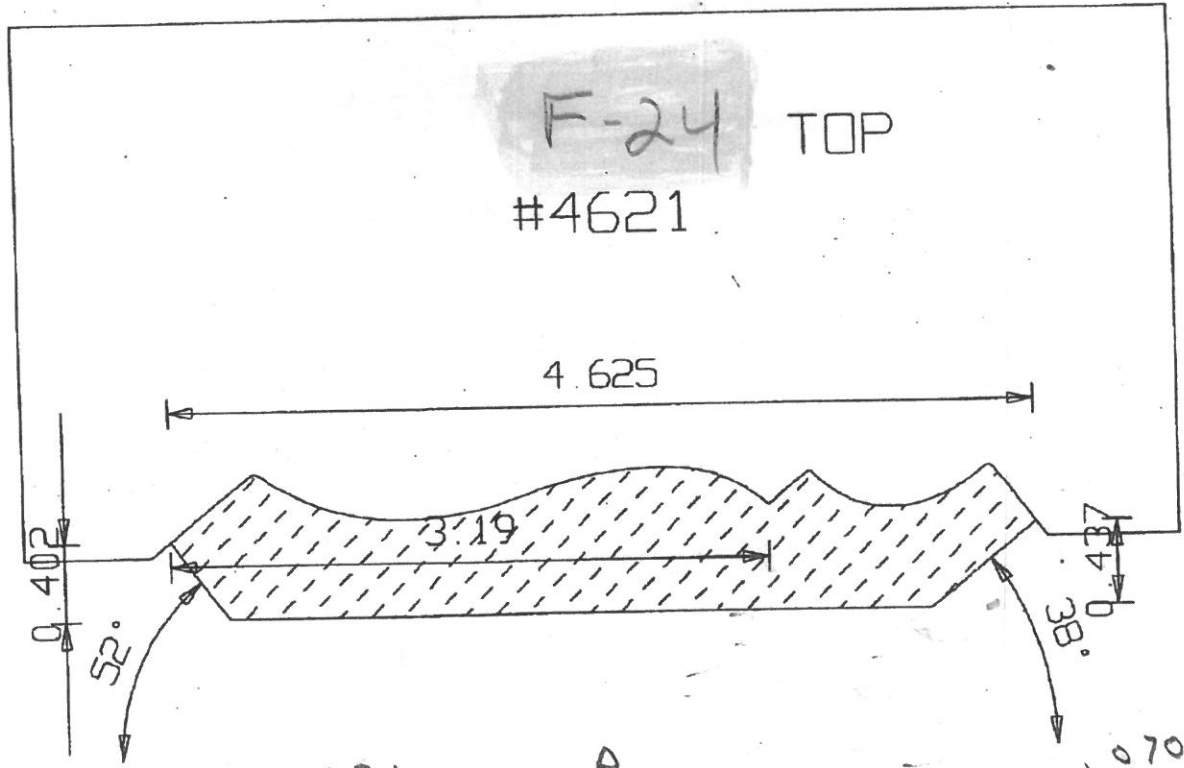
$$L$$

$$.394 + (.750 - .464) = .662$$

$$.660$$

split hold down
shoe

OK



FENCE

0.75

0.402

4.625

3.19

52°

36°

0.437

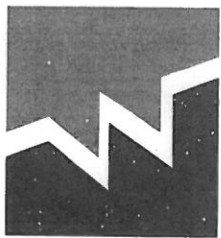
$$.394 + (.423 - .402) = .415$$

.021 R

$$.394 + (.507 - .437) = .464$$

.070 L

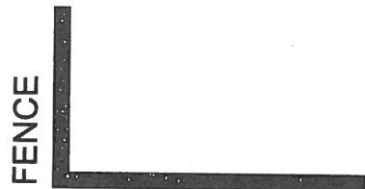
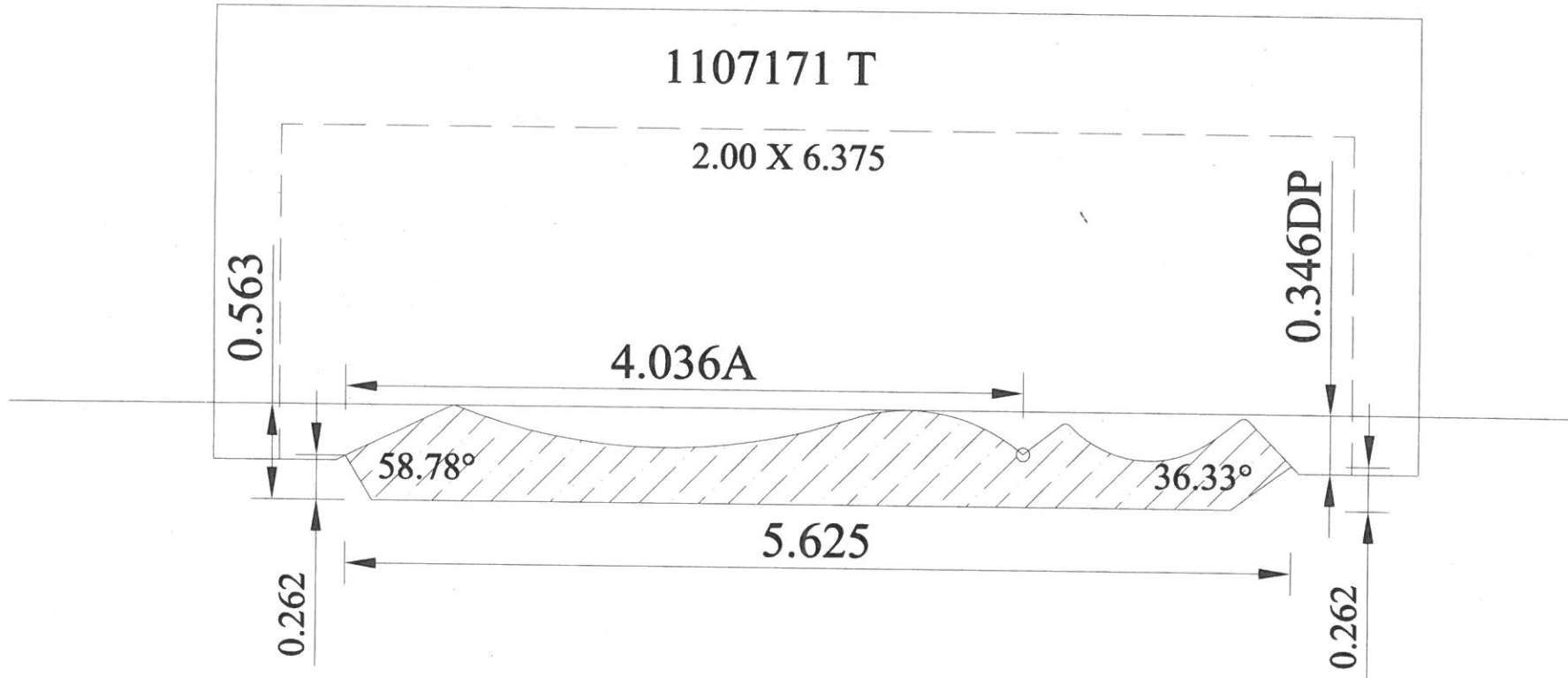
440



WEINIG

NOTE SIDE ANGLES

Rev F-26



FENCE

BED

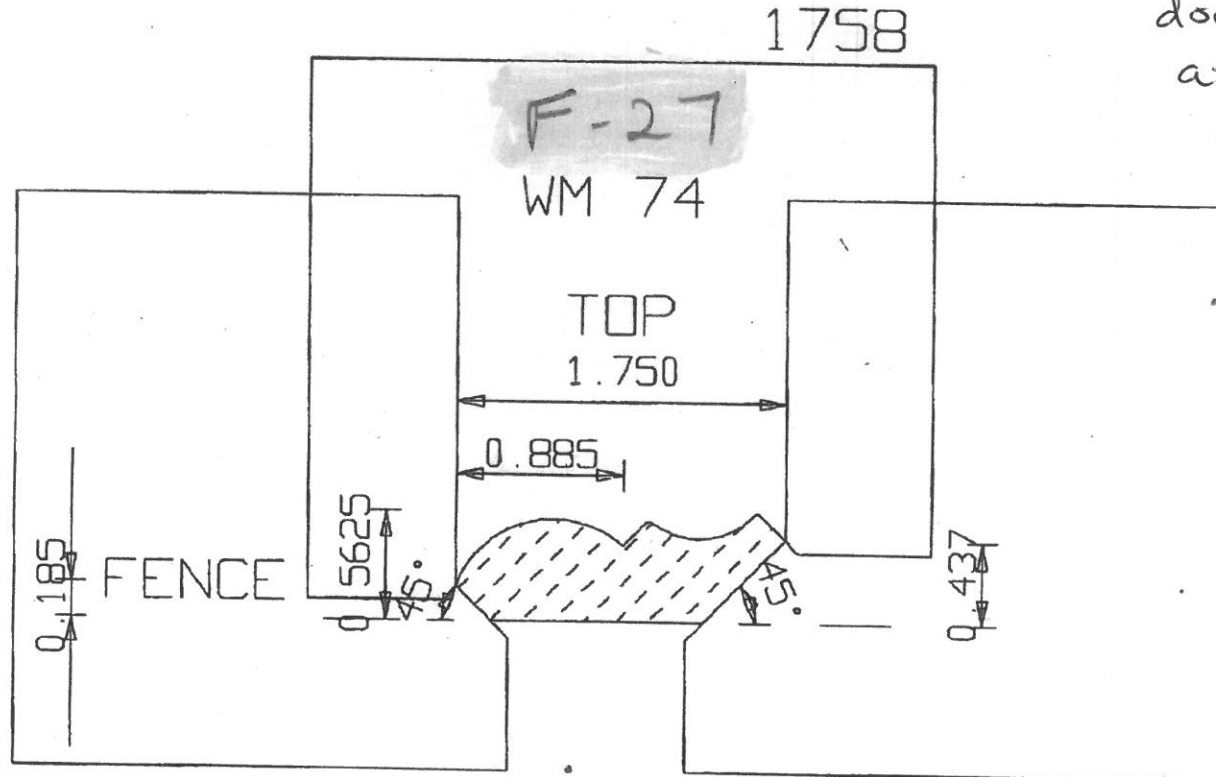
VIEW FROM OUTFEED

THIS DRAWING IS PROPERTY OF WEINIG INC.

CLIENT NAME: FILLINGER

SIGN FOR APPROVALS: X _____ DATE: _____
DRAWN BY: MARIA ALEMAN

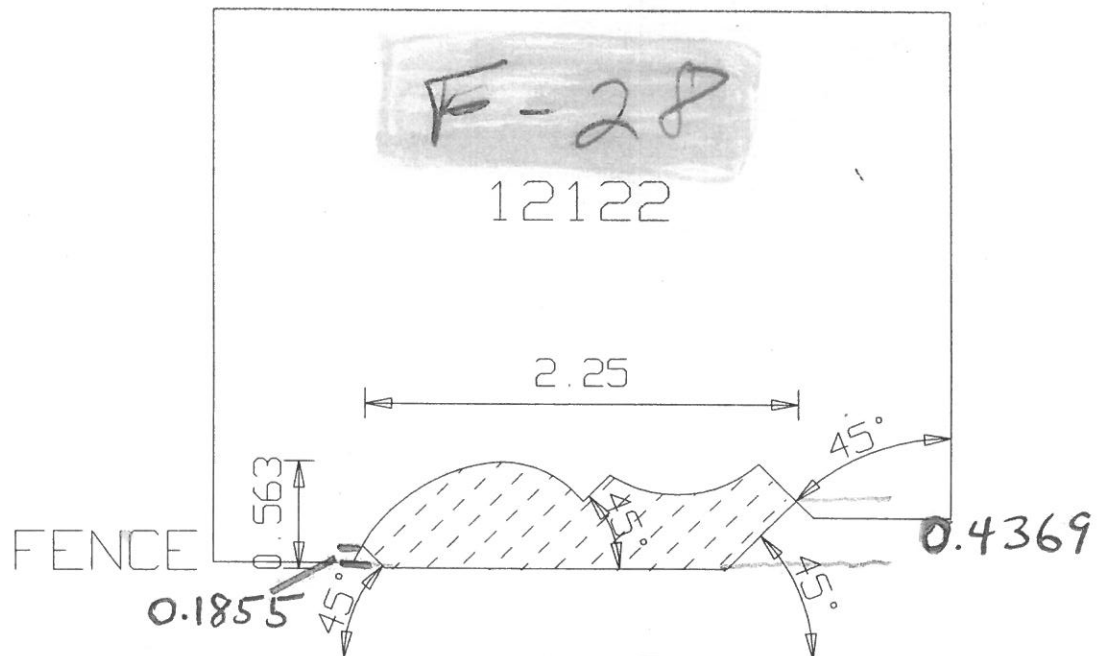
OK



Pine only
 use big hold
 down shoe only
 at the end
 of machine

Right or Fence Side
 $.394 + (.750 - .185) = .964$

Left
 $.313$
 $.394 + (.750 - .437) = .707$



revised 12-19-02
all lines at 45 degree

Right

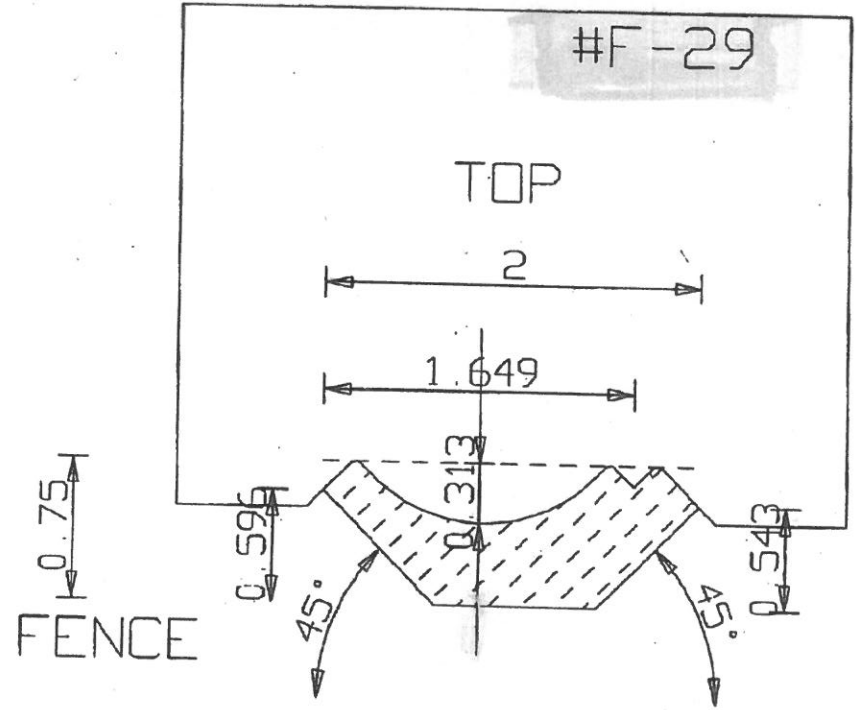
$$0.394 + (.750 - .185) = .959$$

Left

$$0.394 + (.750 - .436) = .708$$

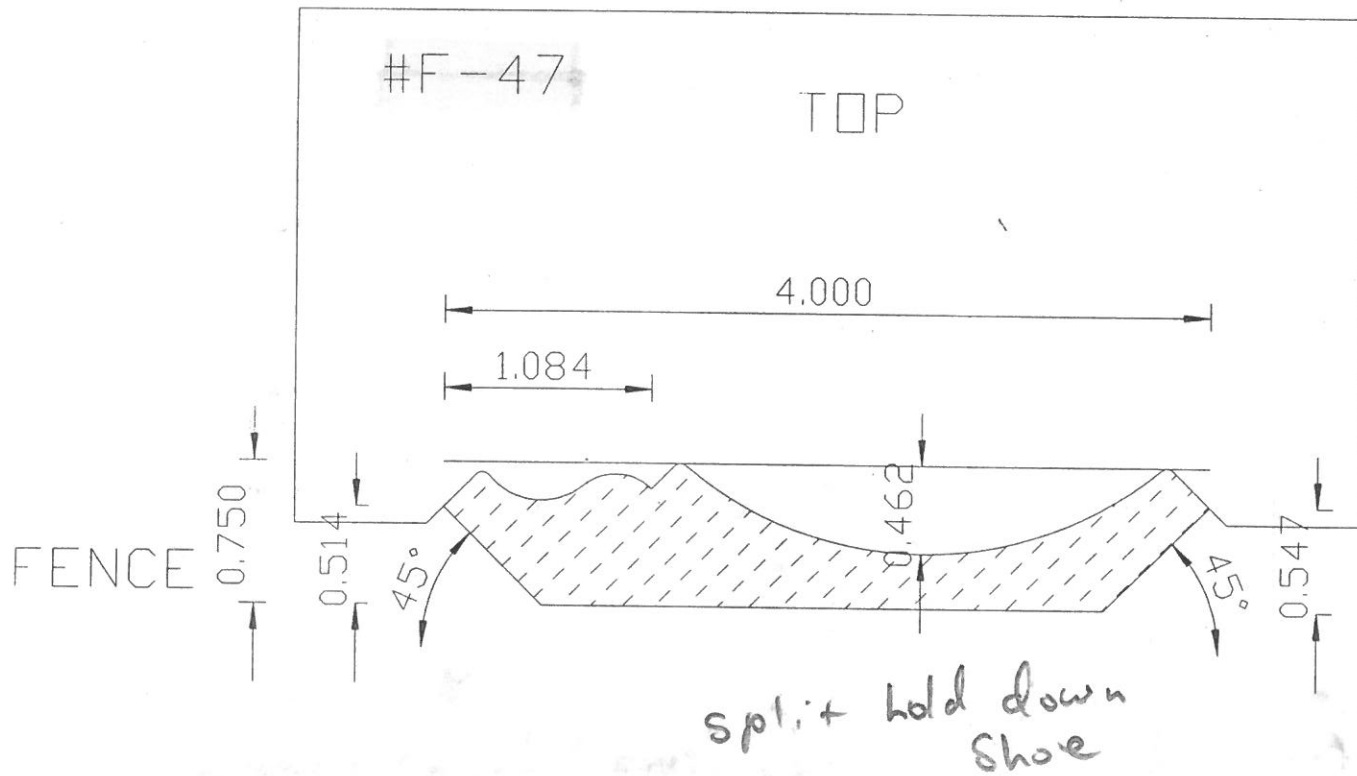
.810

OK



$$0.394 + (.750 - .596) = .548 \quad \text{Right Ax}$$

$$.394 + (.750 - .543) = .601 \quad \text{Left Ax}$$

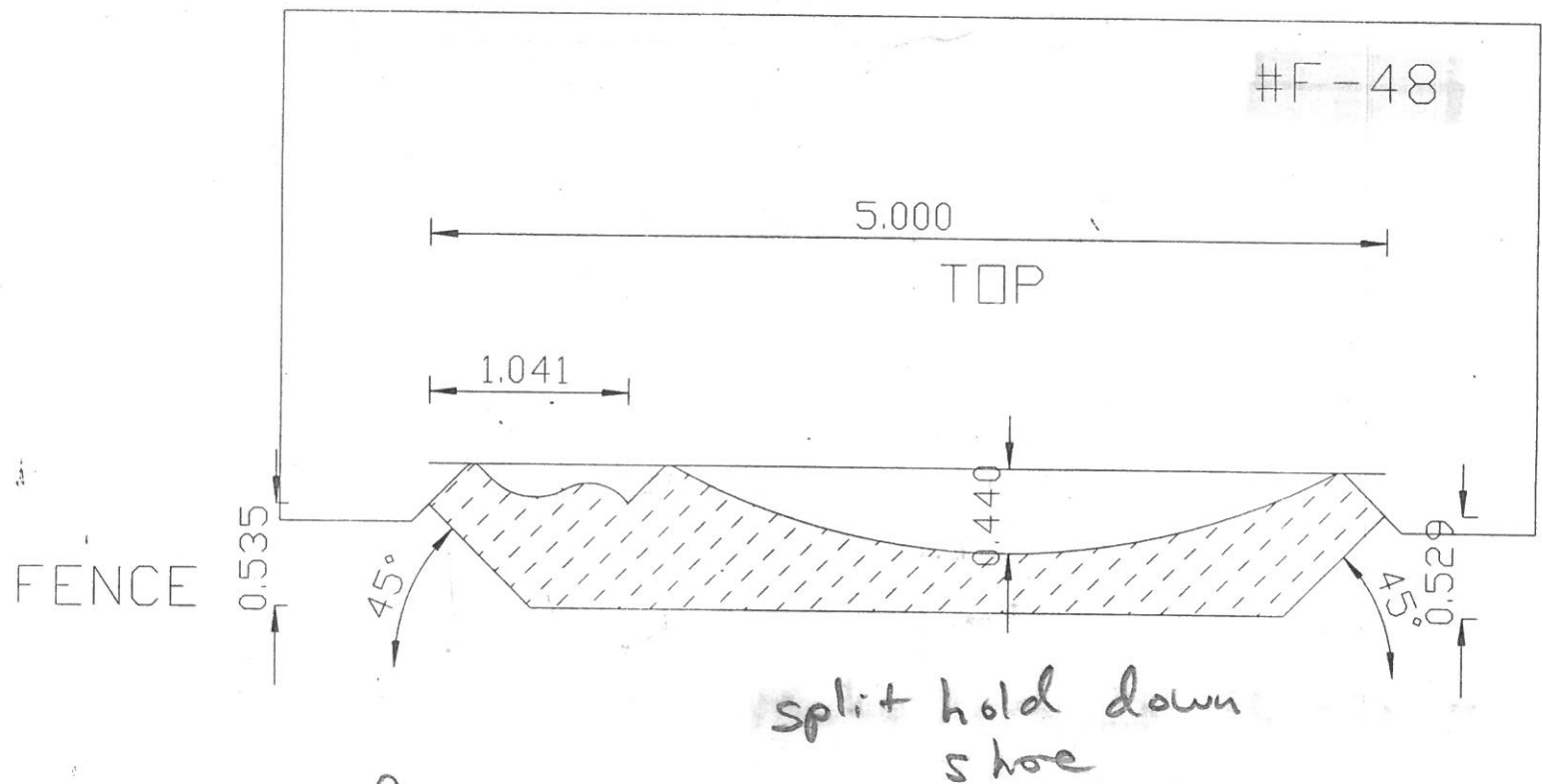


$$R \quad .236$$

$$.394 + (.750 - .514) = .630$$

$$L$$

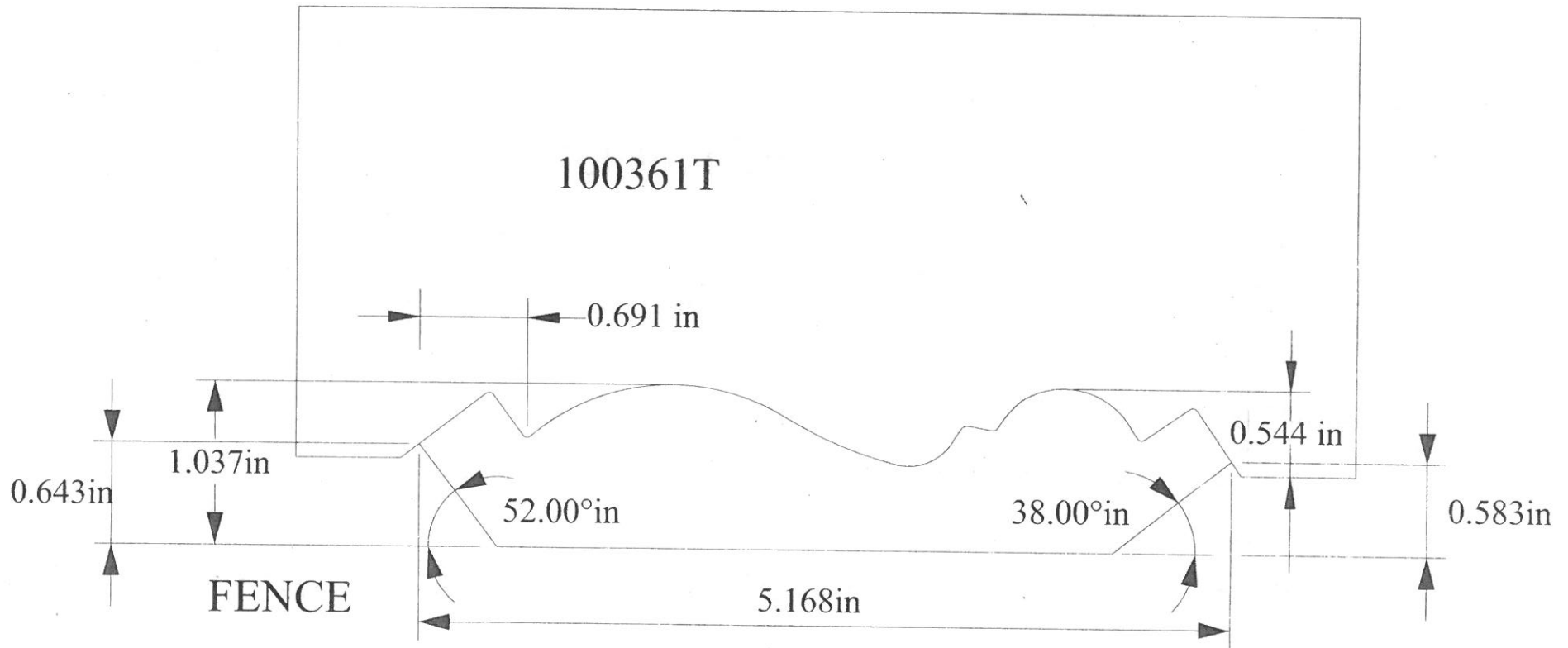
$$.394 + (.750 - .547) = .570$$



R .215
 $.394 + (.750 - .535) = .609$

L .221
 $.394 + (.750 - .529) = .615$

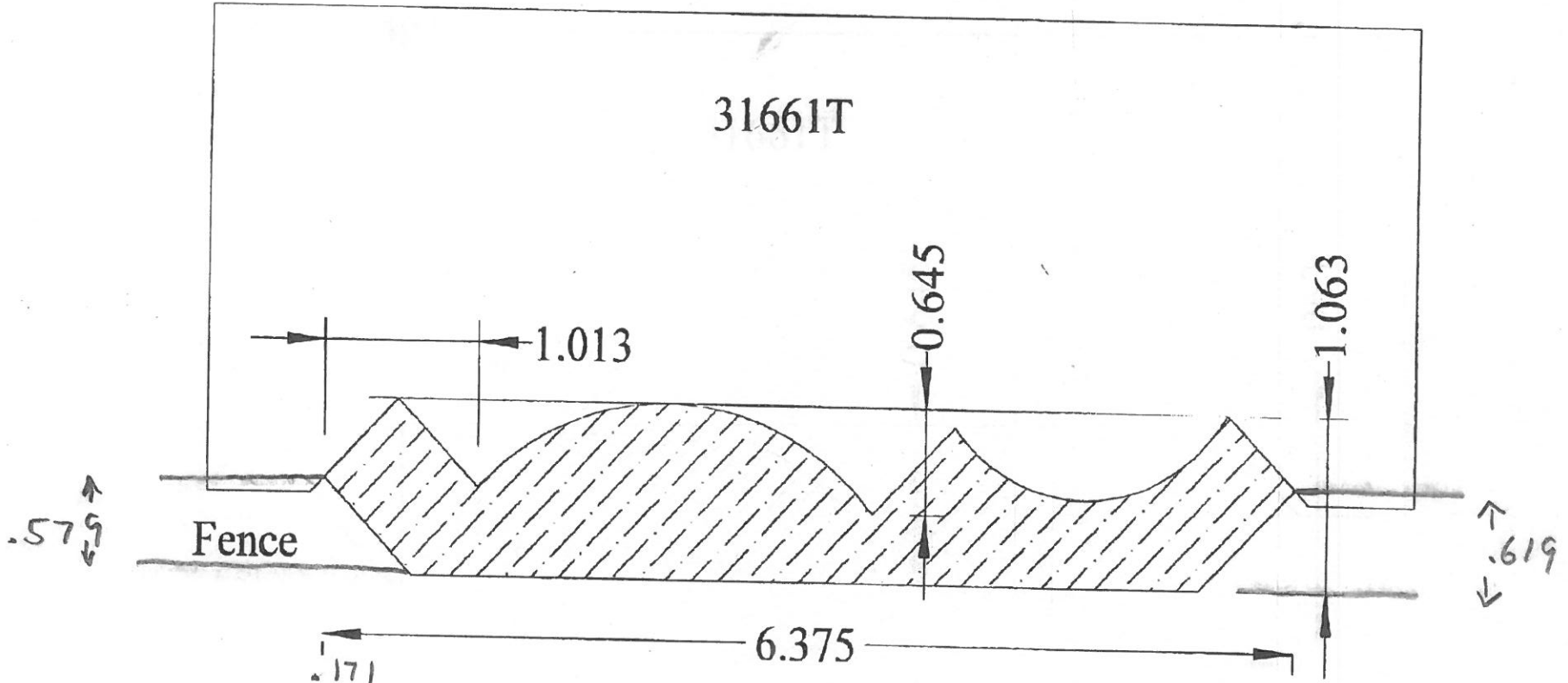
F-67



Right + -.220
 $.394 + (.423 - .643) = .174$

Left + -.076
 $.394 + (.507 - .583) = .318$

F-71

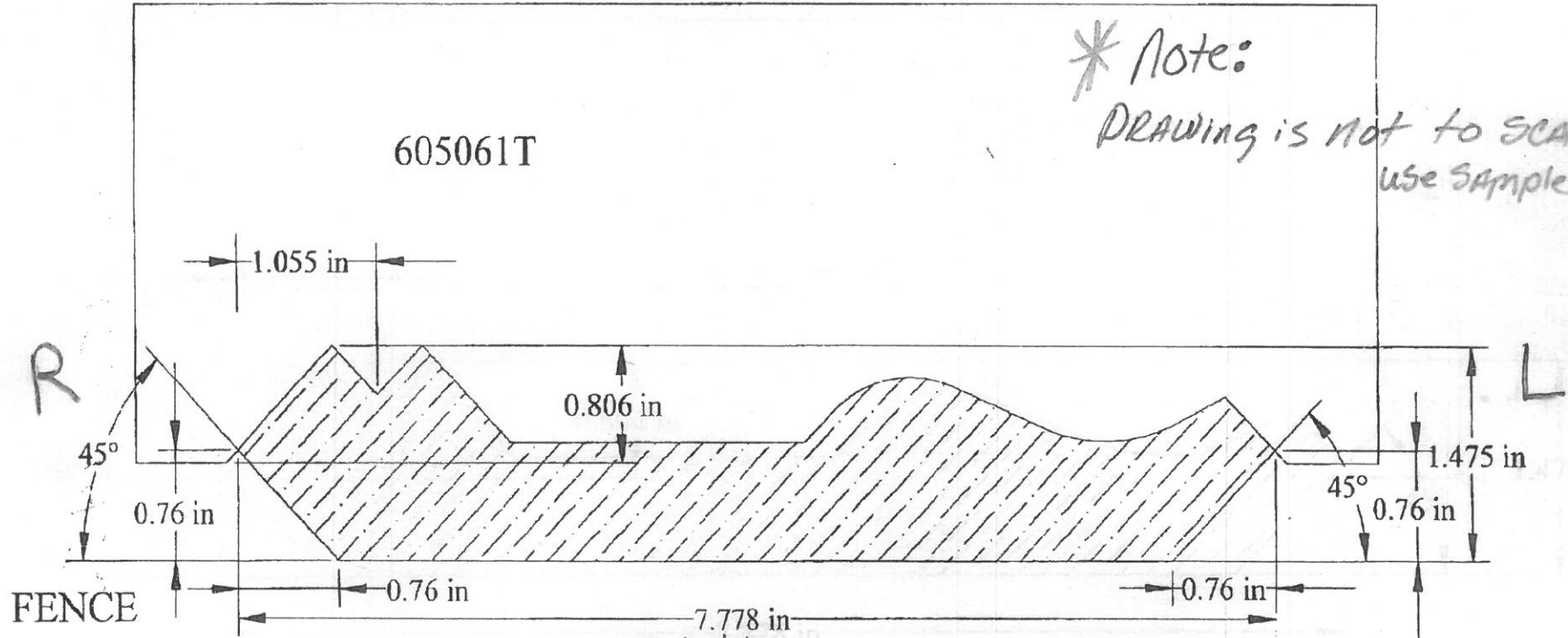


$$.394 + (.750 - .579) = .565$$

$$.394 + (.750 - .619) = .525$$

F-76

* Note:
DRAWING IS NOT TO SCALE,
USE SAMPLE.



Right

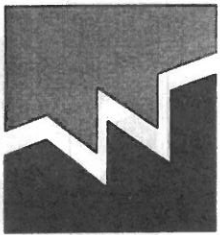
$-.010$

$.394 + (.750 - .760) = .384$

Left

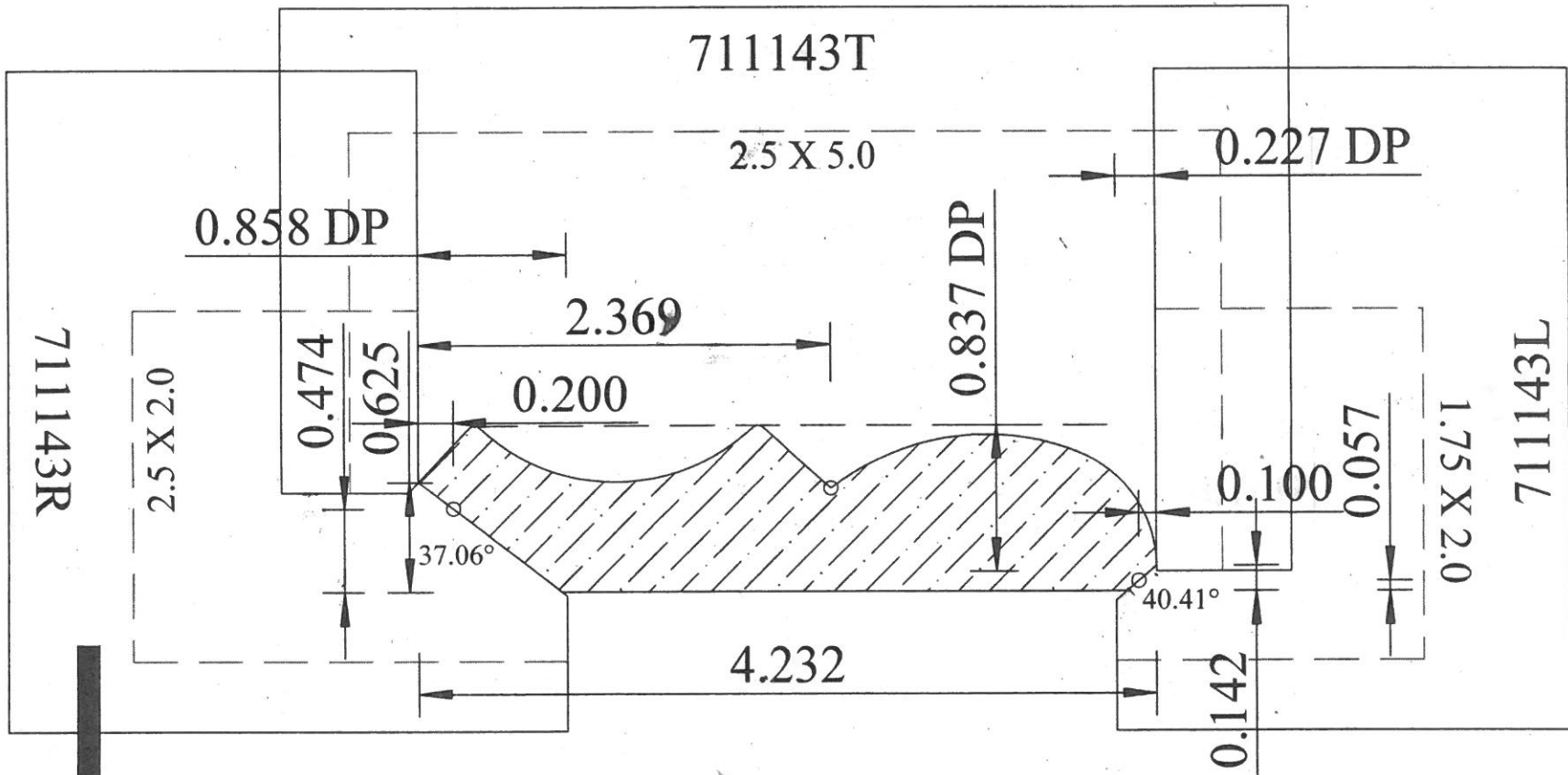
$-.010$

$.394 + (.750 - .760) = .384$



WEINIG

F-81



fence

bed

View From Outfeed

BLIFFERT LUMBER

FILLINGER

Client Name: _____

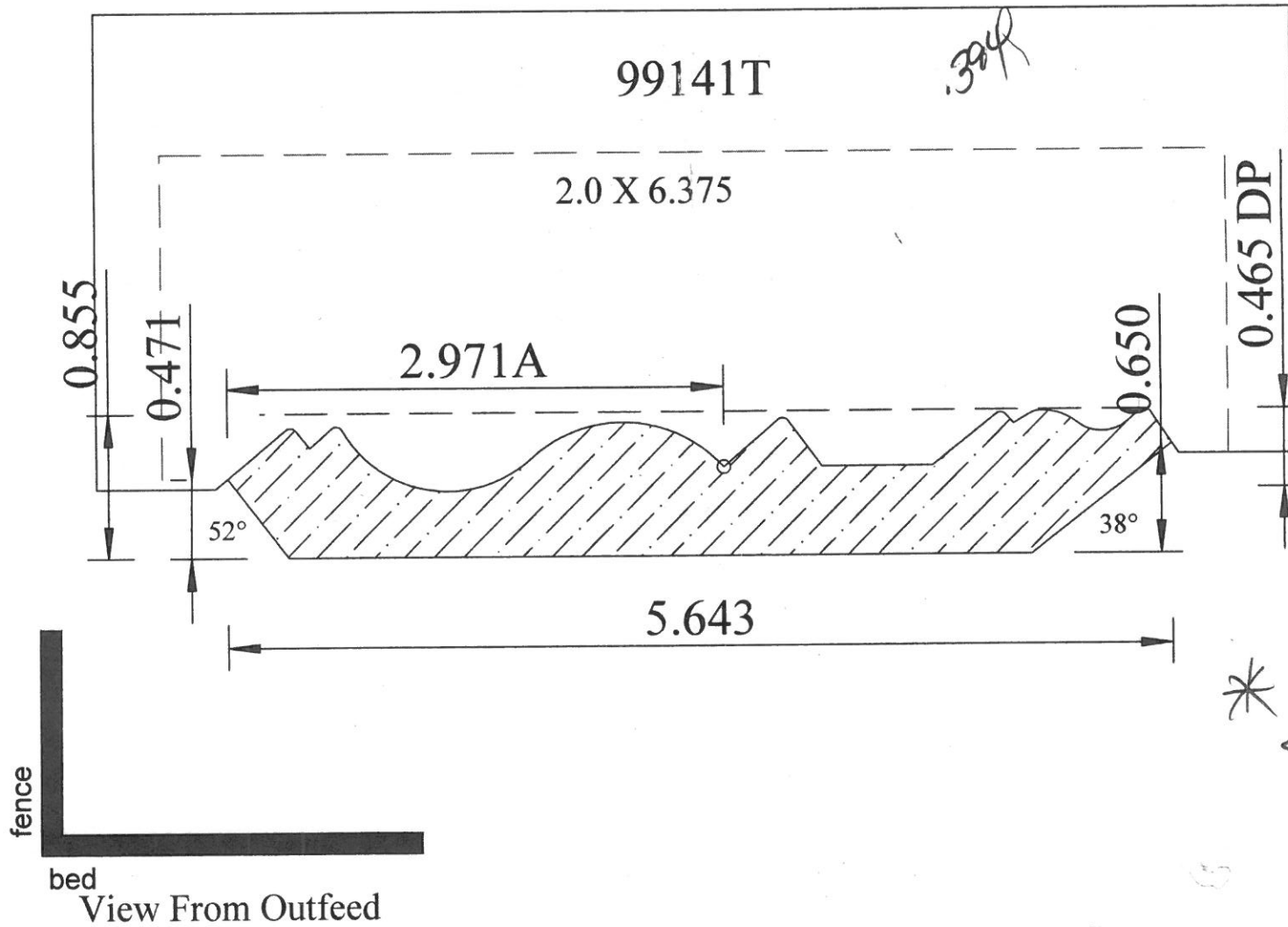
Sign for approvals: X
DRAWN BY: "Michael Neville"

Date: _____

THIS DRAWING IS PROPERTY OF WEINIG INC.



F-92



Client Name: FILLINGER INC

Sign for approvals: X Date: _____
DRAWN BY: "Michael Neville"

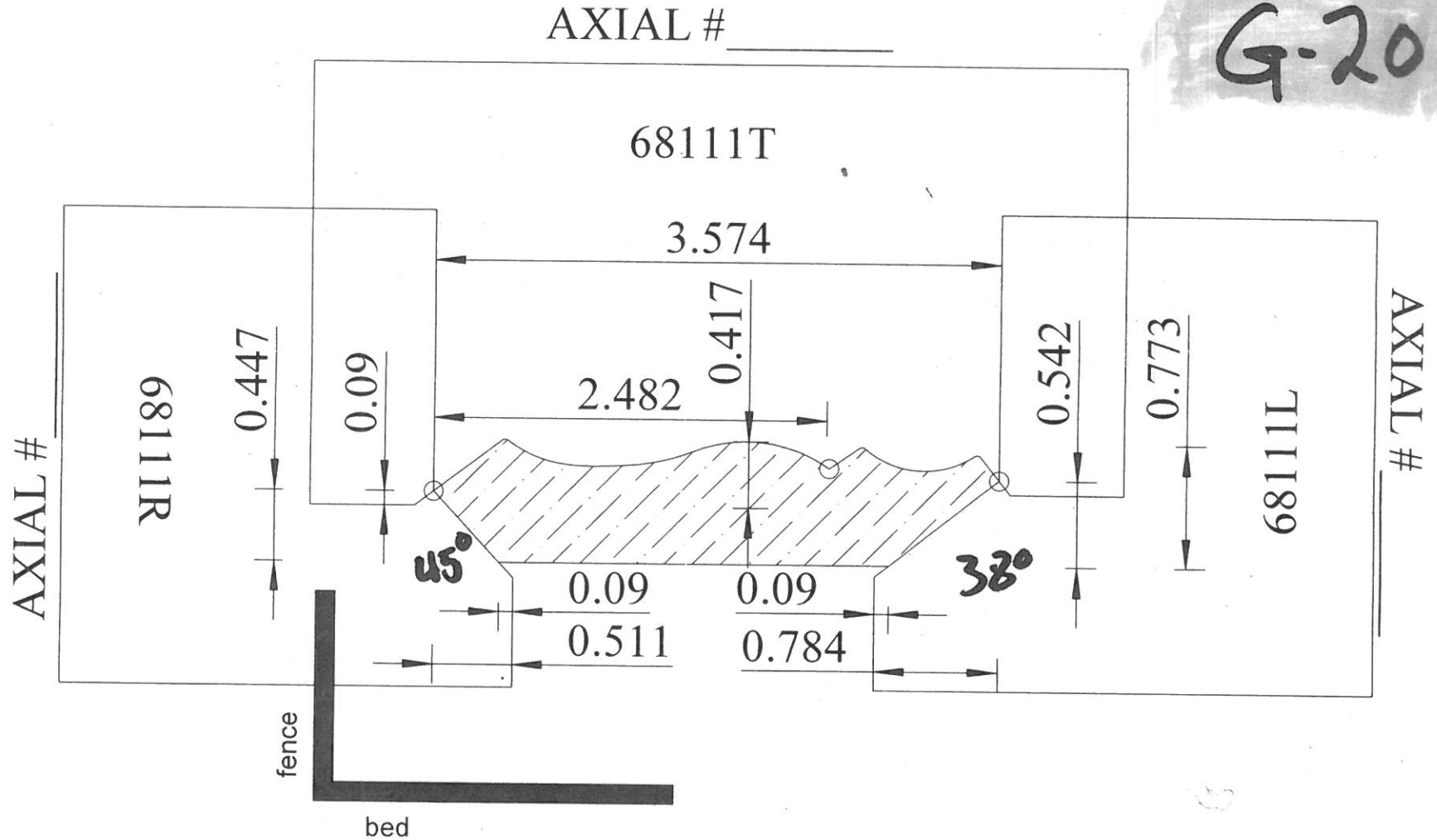
THIS DRAWING IS PROPERTY OF WEINIG INC.

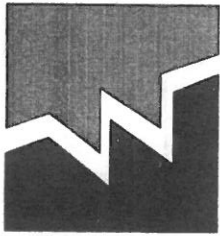


Services Requested & Material Selection
(circle all that apply)

	Finished	Rough
M3+HSS	Double-Back	Supre
TCT Inlaid	Insert	SRS

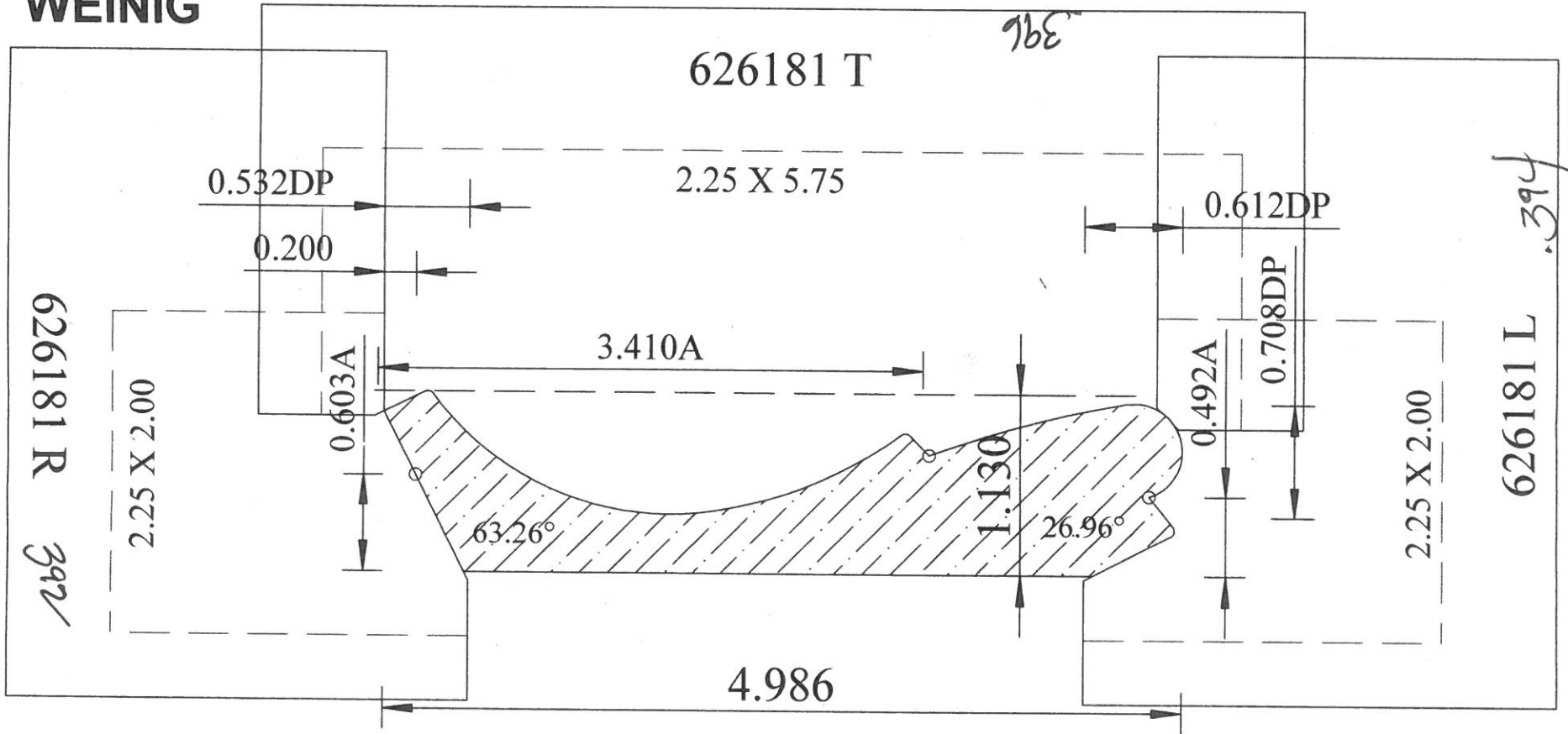
G-20





WEINIG

G-51



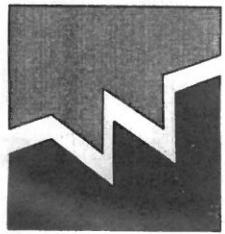
* Custom for Klieber Const.

VIEW FROM OUTFEED

CLIENT NAME: FILLINGER

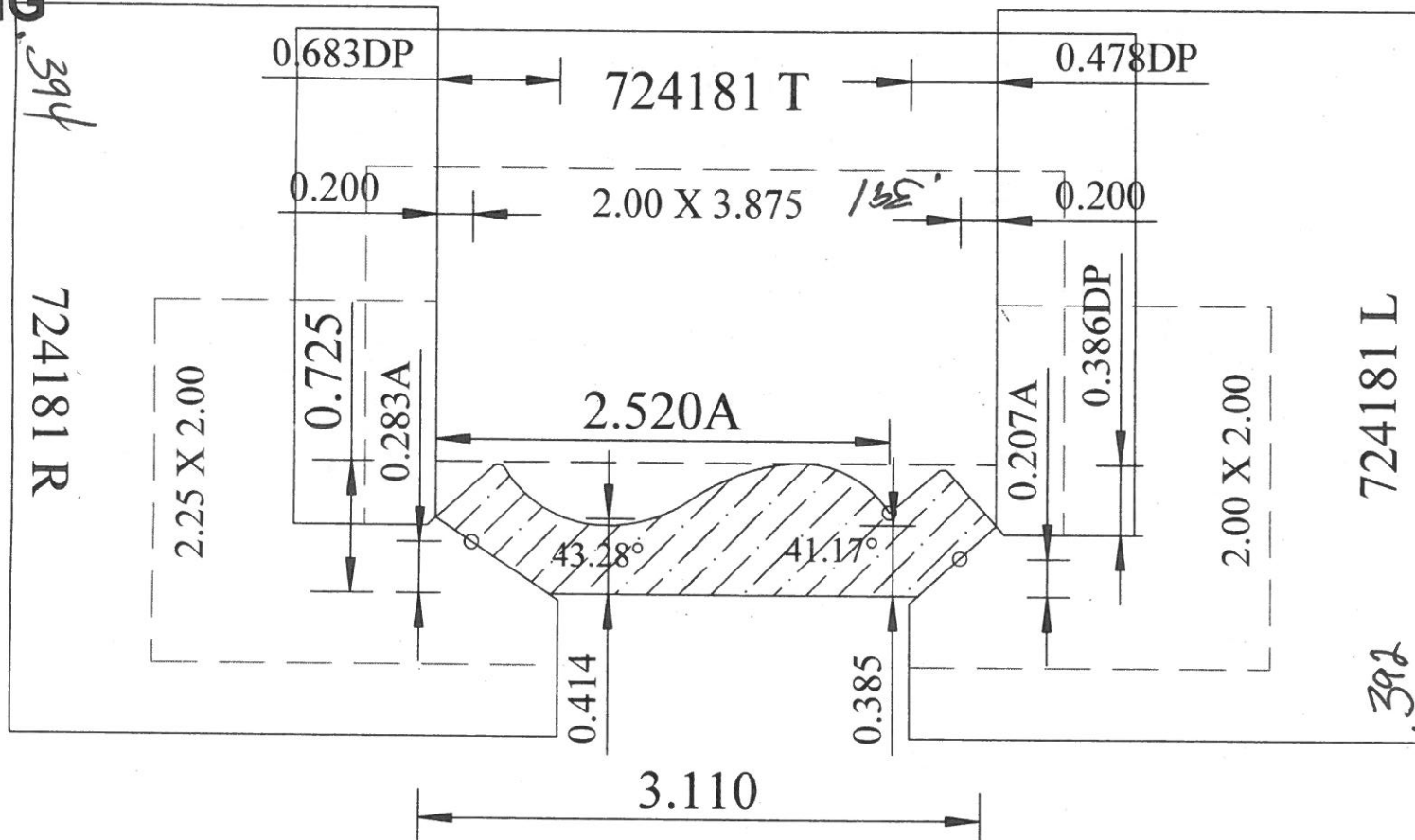
SIGN FOR APPROVALS: X _____ DATE: _____
DRAWN BY: MARIA ALEMAN

THIS DRAWING IS PROPERTY OF WEINIG INC.



WEINIG

G-53



FENCE

BED

VIEW FROM OUTFEED

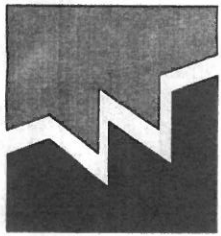
*Custom for
Bliffert Lumber
CO.

CLIENT NAME: FILLINGER

SIGN FOR APPROVALS: X
DRAWN BY: MARIA ALEMAN

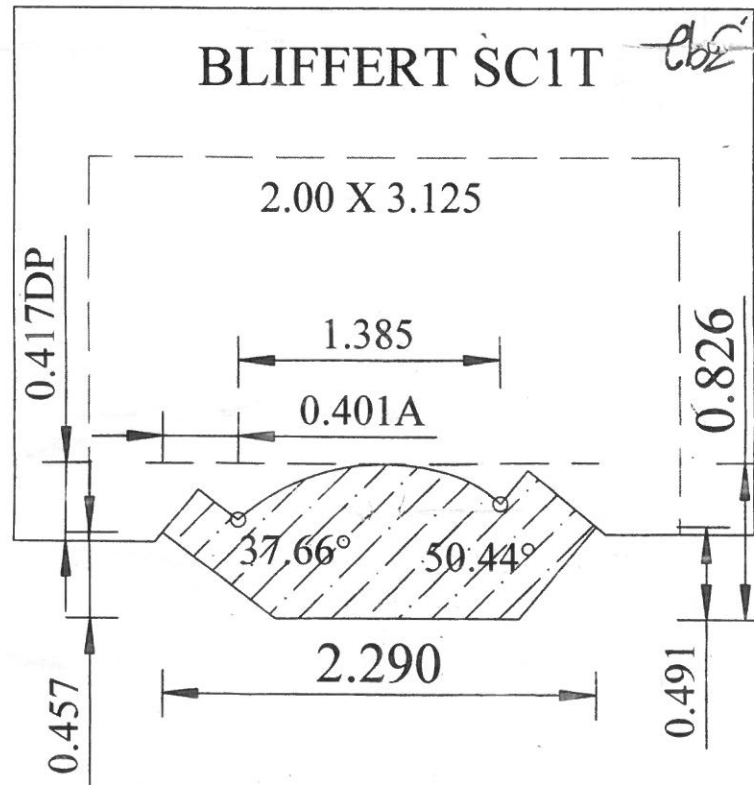
DATE: _____

THIS DRAWING IS PROPERTY OF WEINIG INC.



WEINIG

G-56



* note: angles are done on table saw!

* Custom for Bliffert Lumber Co.



FENCE

BED

VIEW FROM OUTFEED

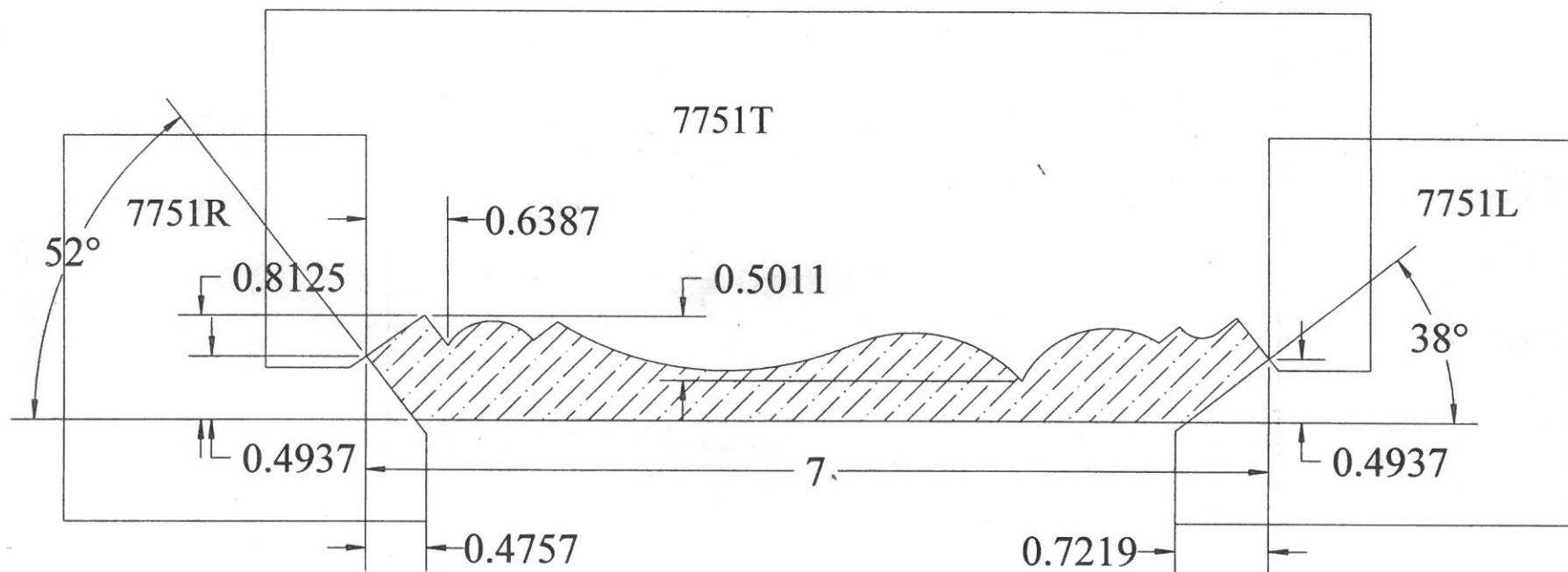
THIS DRAWING IS PROPERTY OF WEINIG INC.

CLIENT NAME: FILLINGER

SIGN FOR APPROVALS: X
DRAWN BY: MARIA ALEMAN

DATE: _____

G-63



Right Ax.

$$0.394 + (.423 - .493) = .324$$

Left Ax.

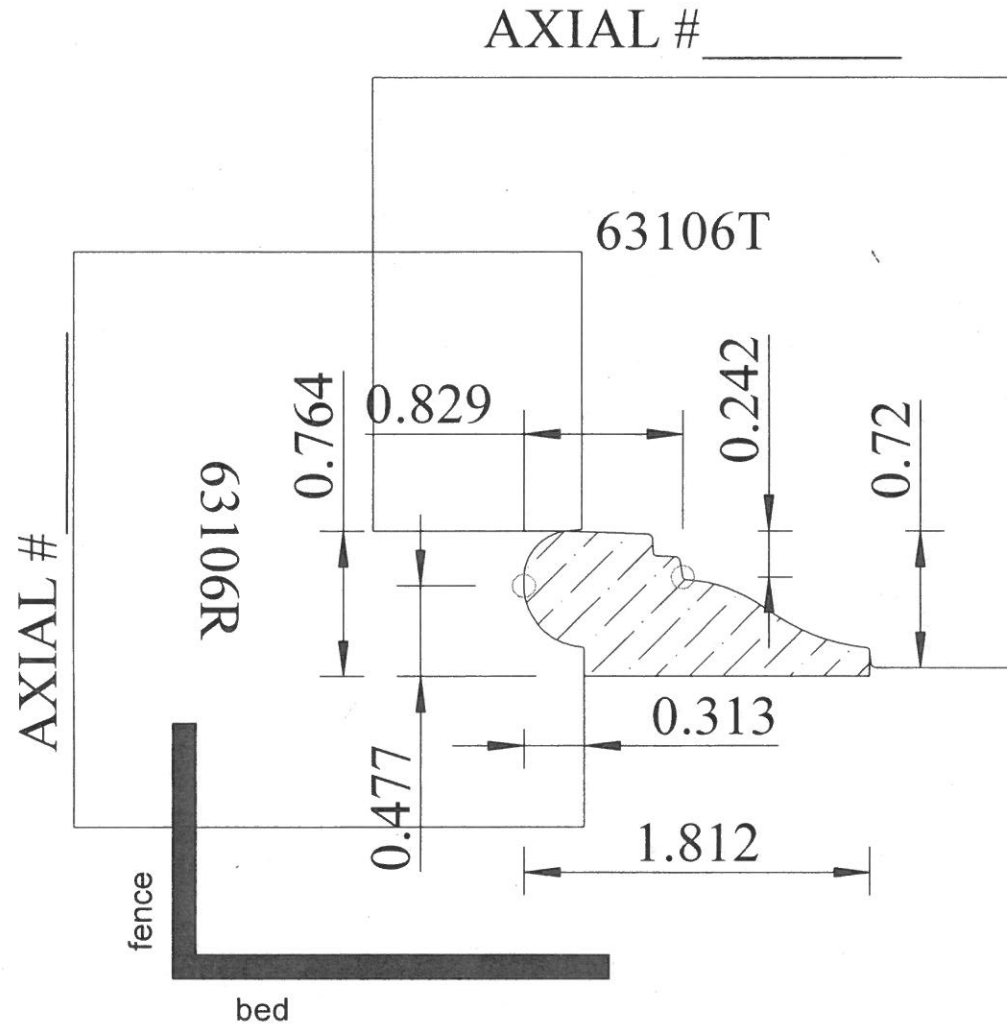
$$0.394 + (.507 - .493) = .40$$

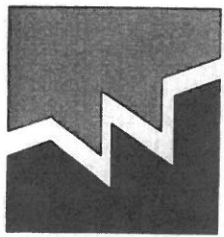


Services Requested & Material Selection
(circle all that apply)

	Finished	Rough
M3+HSS	Double-Back	Supre
TCT Inlaid	Insert	SRS

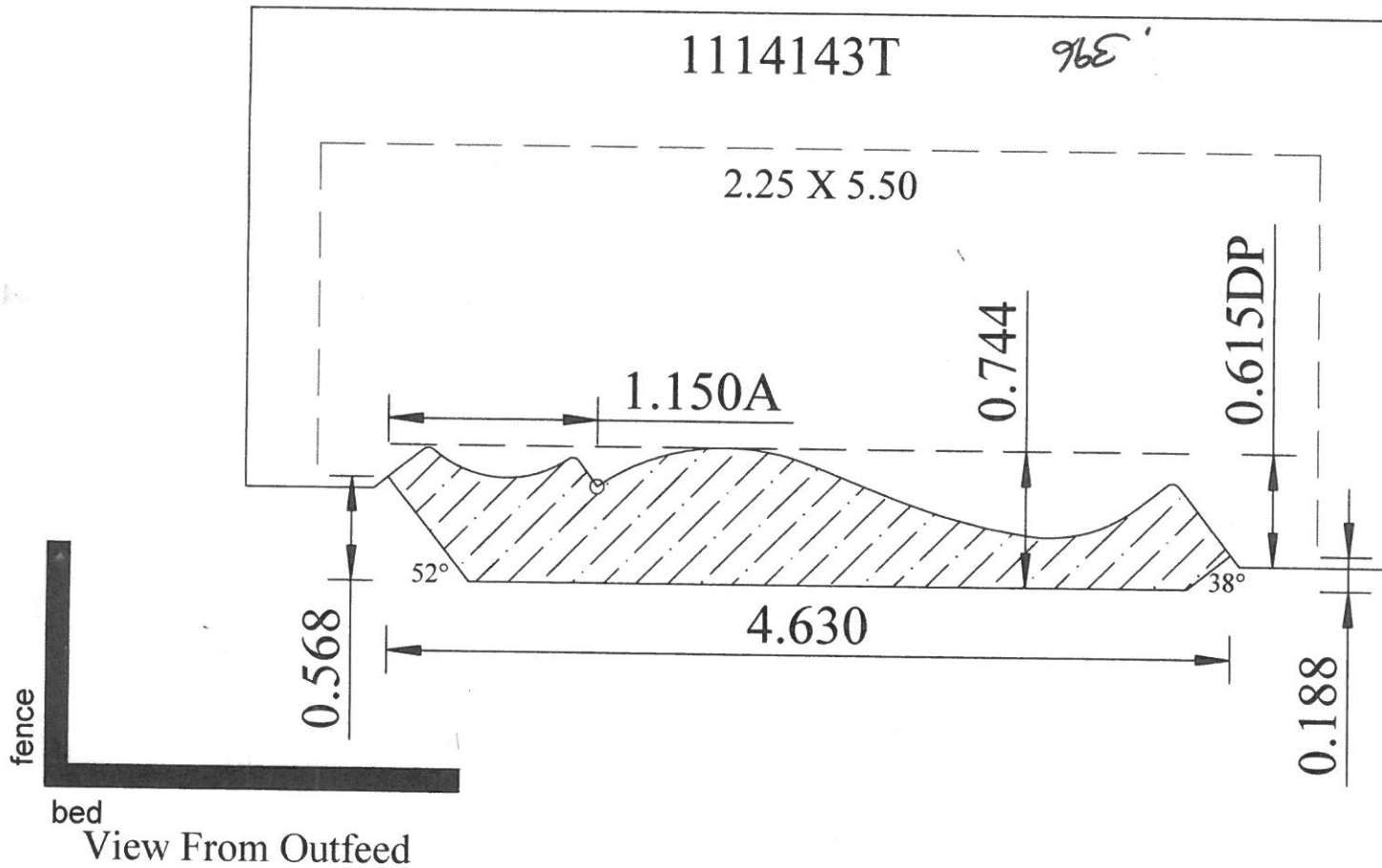
G-76





WEINIG

G-81



CLIENT NAME: FILLINGER

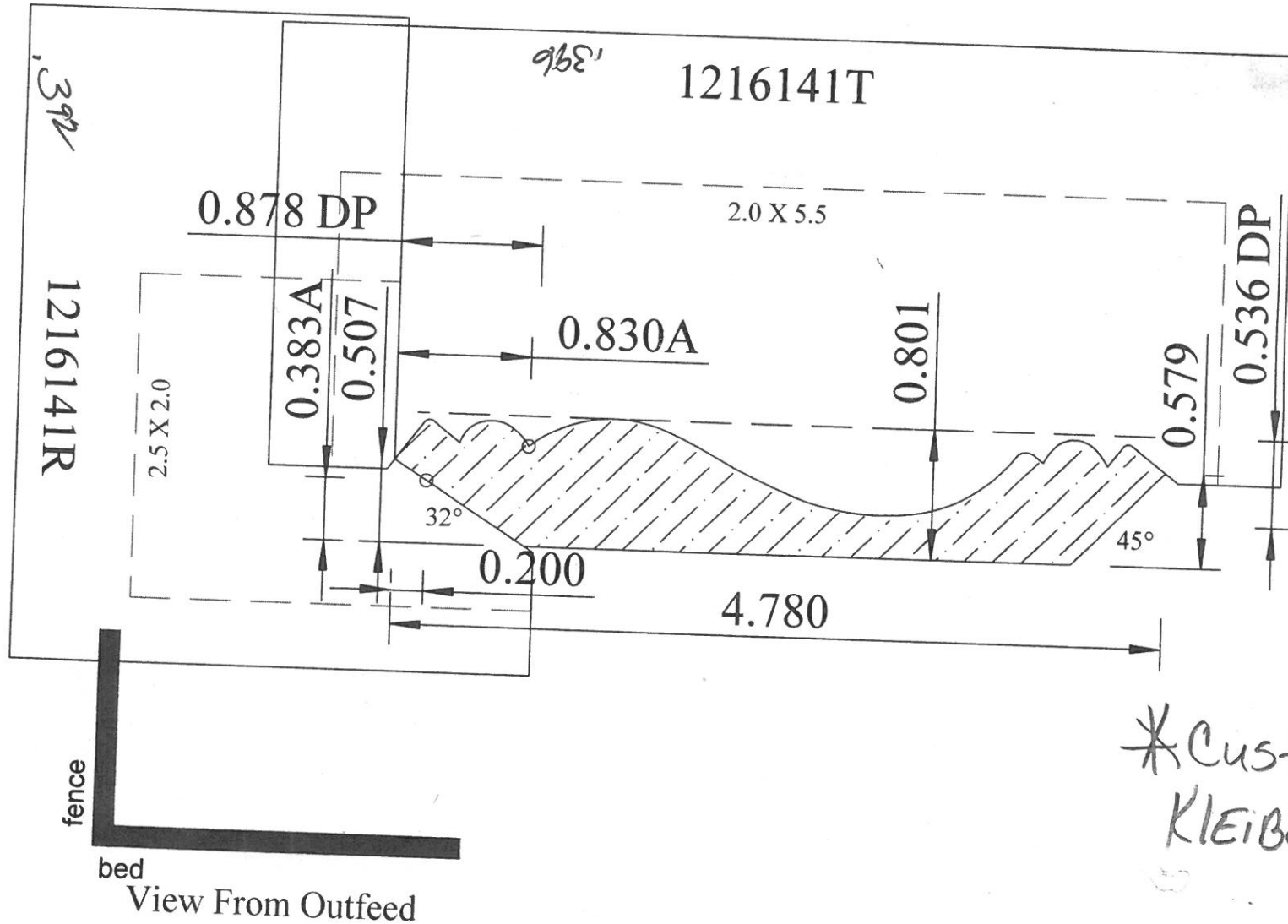
SIGN FOR APPROVALS: X _____
DRAWN BY: MARIA ALEMAN

DATE: _____

THIS DRAWING IS PROPERTY OF WEINIG INC.



G-88



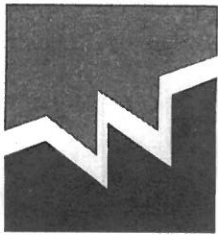
THIS DRAWING IS PROPERTY OF WEINIG INC.

Client Name: FILLINGER INC

Sign for approvals: X

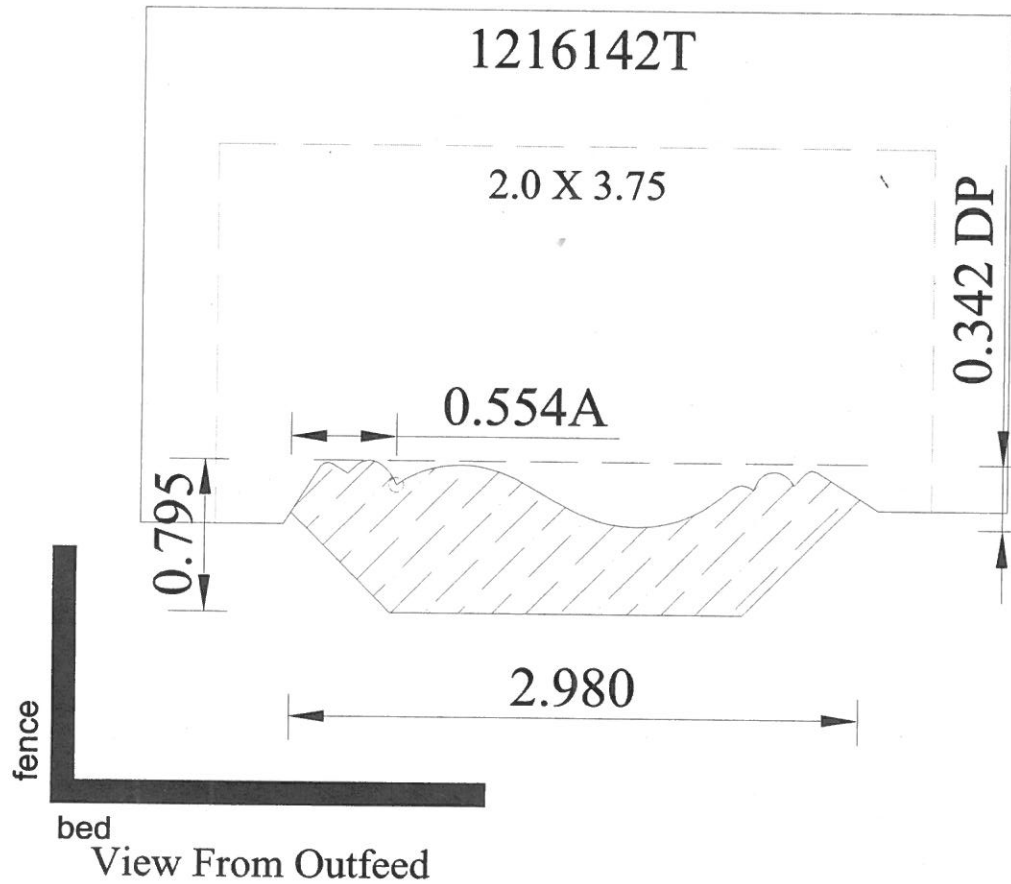
DRAWN BY: "Michael Neville"

Date: _____



WEINIG

G-89



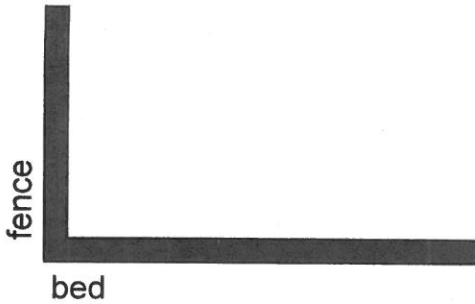
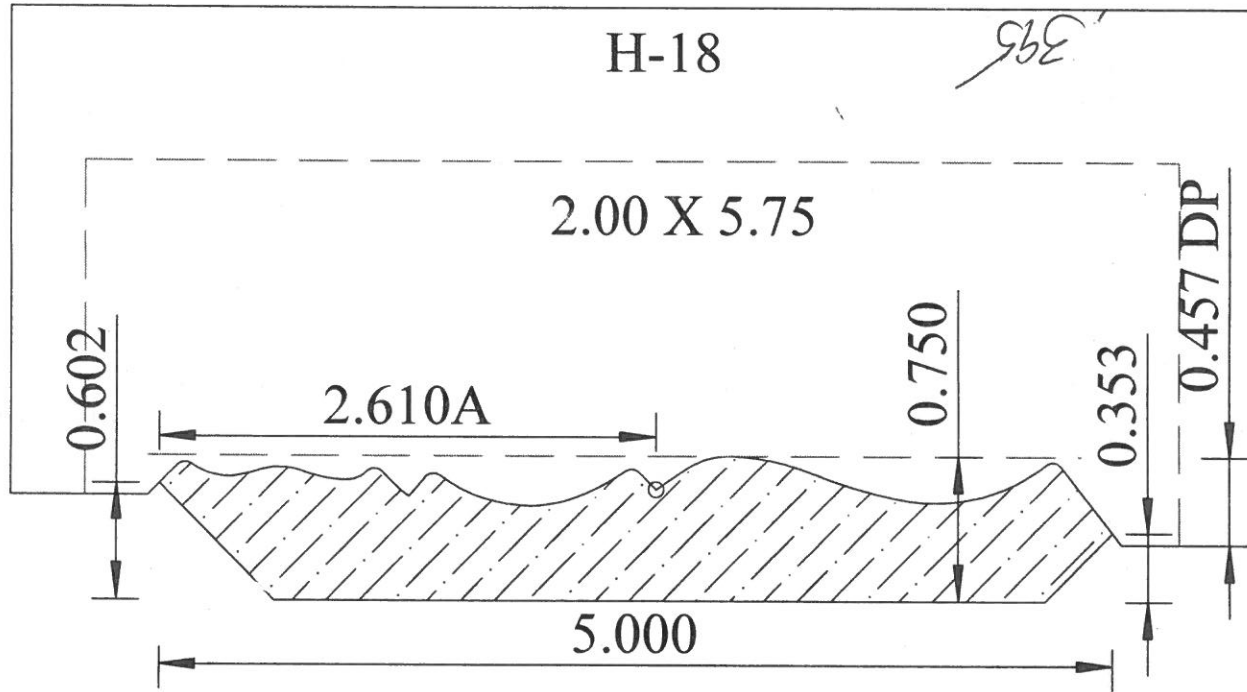
Client Name: FILLINGER INC

Sign for approvals: X Date: _____
DRAWN BY: "Michael Neville"

THIS DRAWING IS PROPERTY OF WEINIG INC.



H-18



*Custom for
Bliffert Lumber
Com

View From Outfeed

THIS DRAWING IS PROPERTY OF WEINIG INC.

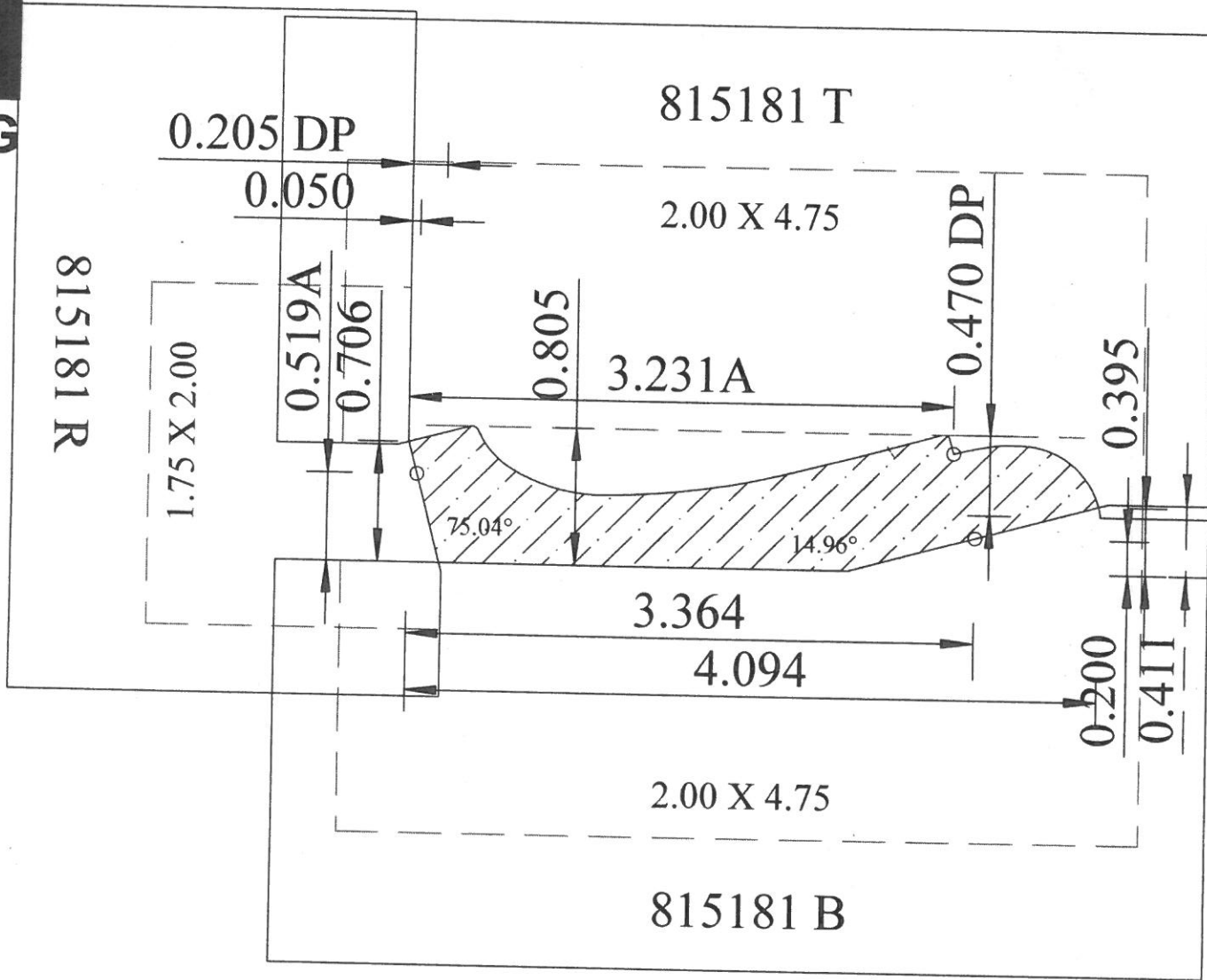
Client Name: FILLINGER

Sign for approvals: X

DRAWN BY: "Igor Arsenovich"

Date: _____

H-58



fence
bed
View From Outfeed

* Custom for
RPCustom
Home

Client Name: FILLINGER

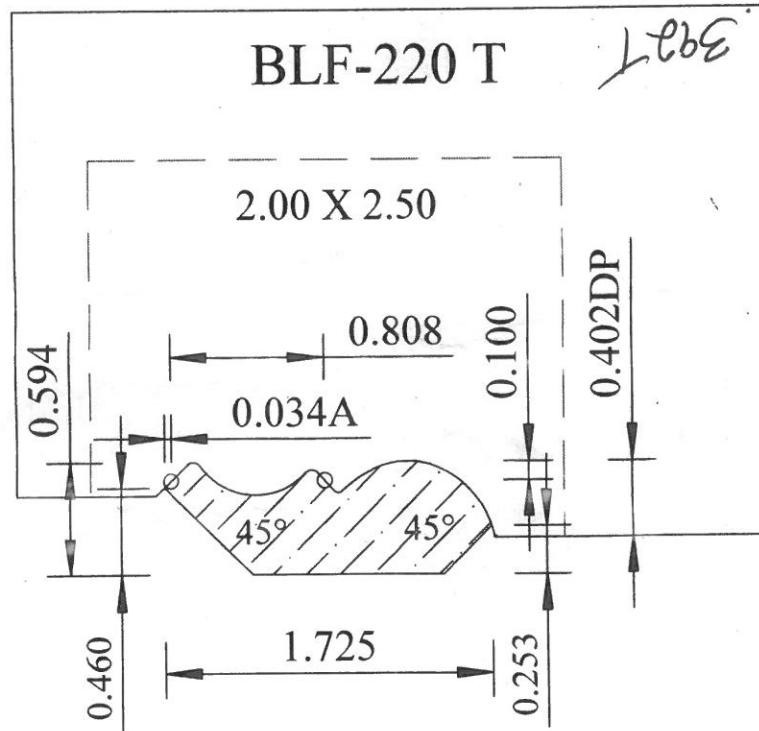
Sign for approvals: X
DRAWN BY: "Igor Arsenovich"

Date: _____

THIS DRAWING IS PROPERTY OF WEINIG INC.



H-60



* Custom for
Biffert Lumber
CO.



FENCE

BED

VIEW FROM OUTFEED

CLIENT NAME: FILLINGER

SIGN FOR APPROVALS: X _____
DRAWN BY: MARIA ALEMAN

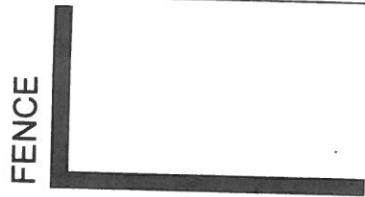
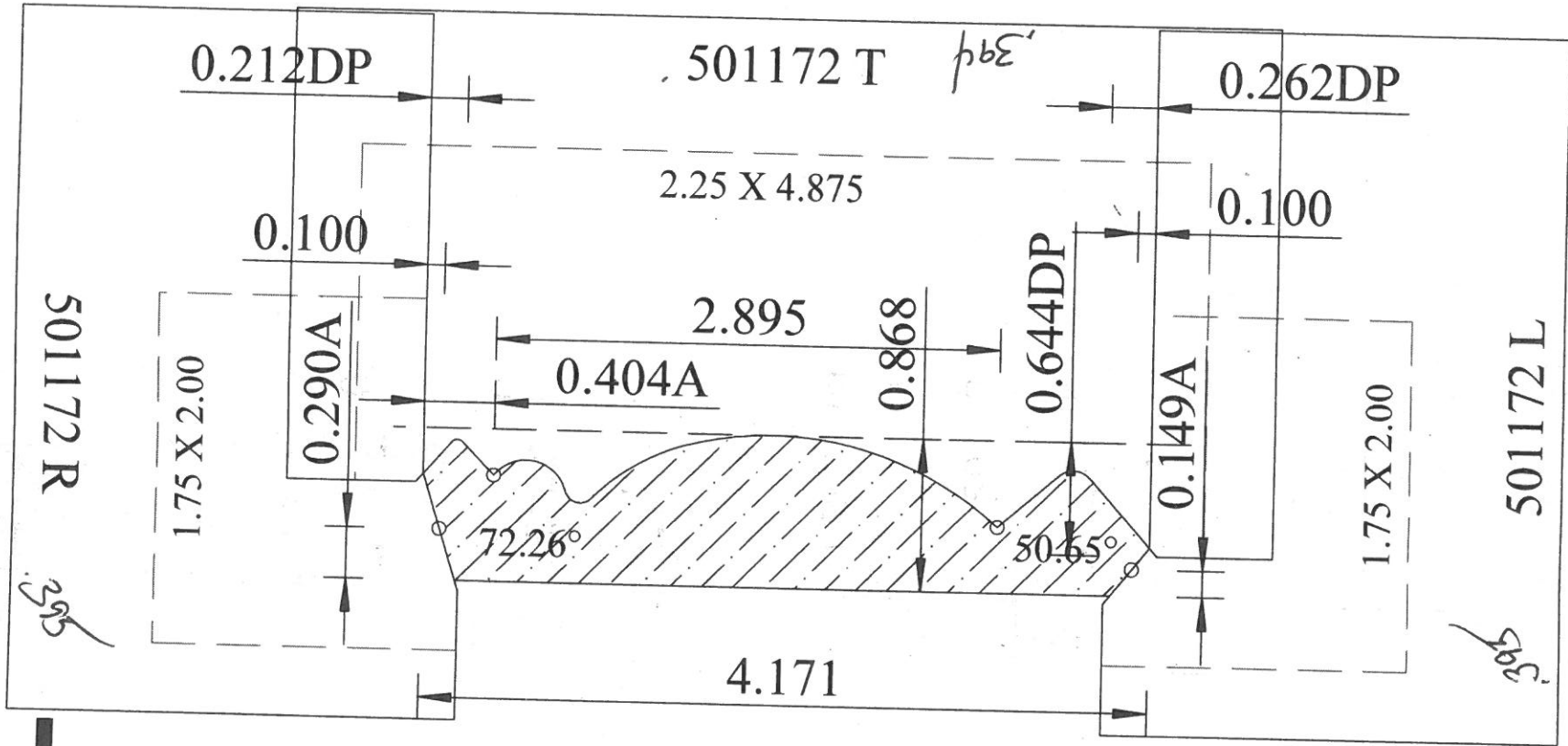
DATE: _____

THIS DRAWING IS PROPERTY OF WEINIG INC.



CUSTOM PROFILE SHOE RECOMMENDED

H67



BED

VIEW FROM OUTFEED

* Custom for
Armstrong General
Contracting

THIS DRAWING IS PROPERTY OF WEINIG INC.

CLIENT NAME: FILLINGER

SIGN FOR APPROVALS: X _____
DRAWN BY: MARIA ALEMAN

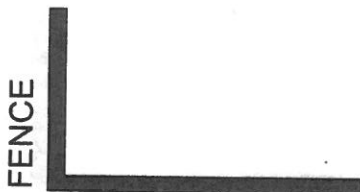
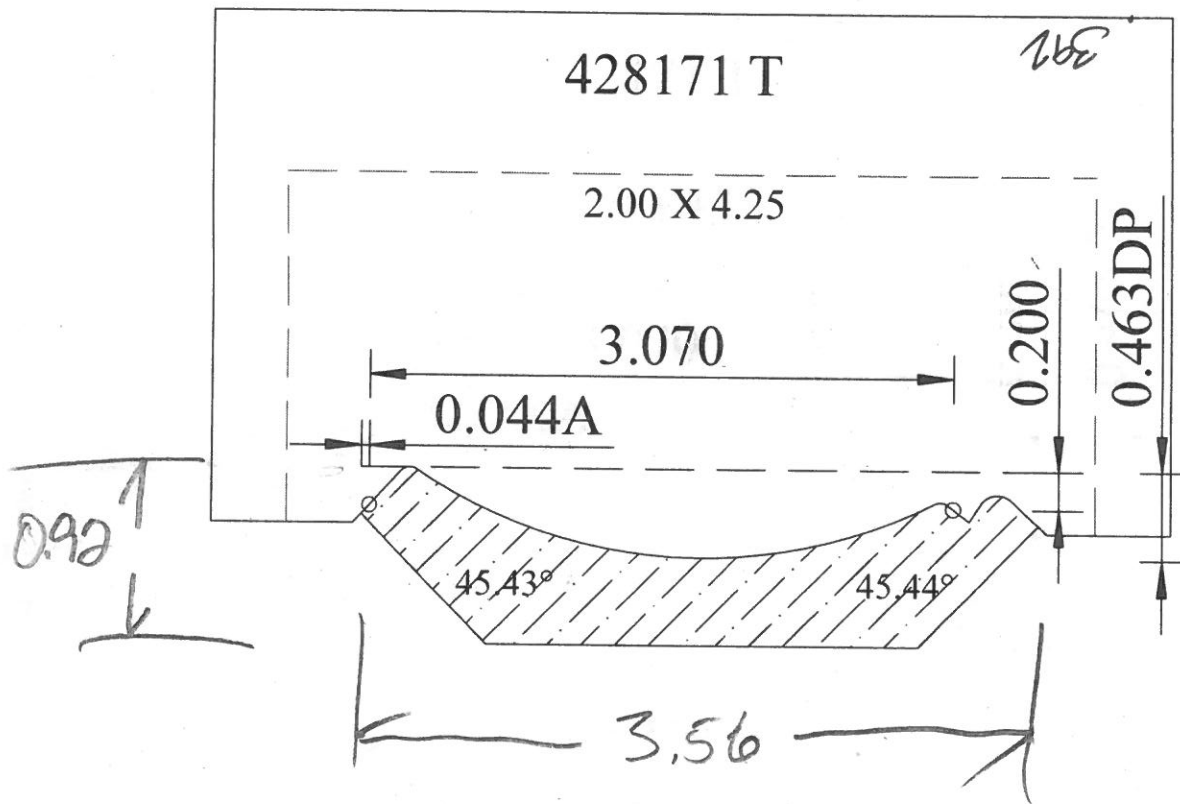
DATE: _____



WEINIG

H68

CUSTOM PROFILE SHOE RECOMMENDED



FENCE

BED

VIEW FROM OUTFEED

THIS DRAWING IS PROPERTY OF WEINIG INC.

* Custom for
Greg Buende

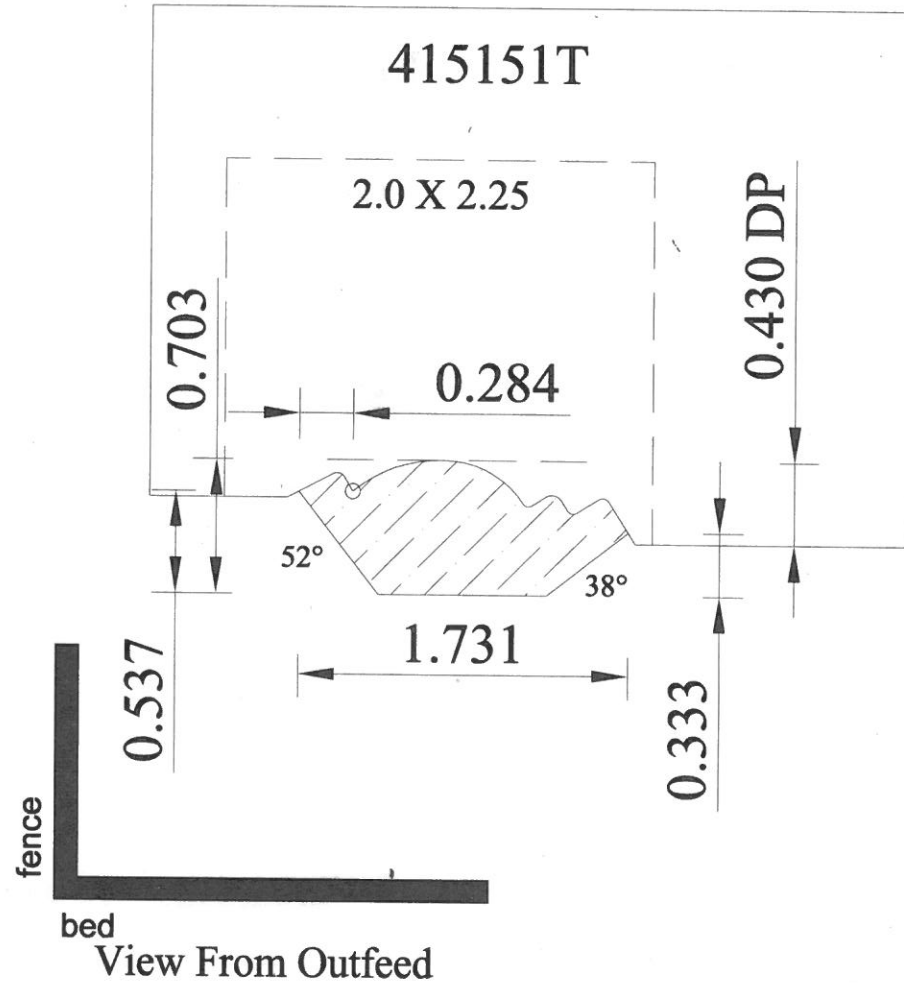
CLIENT NAME: FILLINGER

SIGN FOR APPROVALS: X _____
DRAWN BY: MARIA ALEMAN

DATE: _____



H-94



* Custom for Matt Rye

THIS DRAWING IS PROPERTY OF WEINIG INC.

Client Name: FILLINGER INC

Sign for approvals: X
DRAWN BY: "Michael Neville" Date: _____

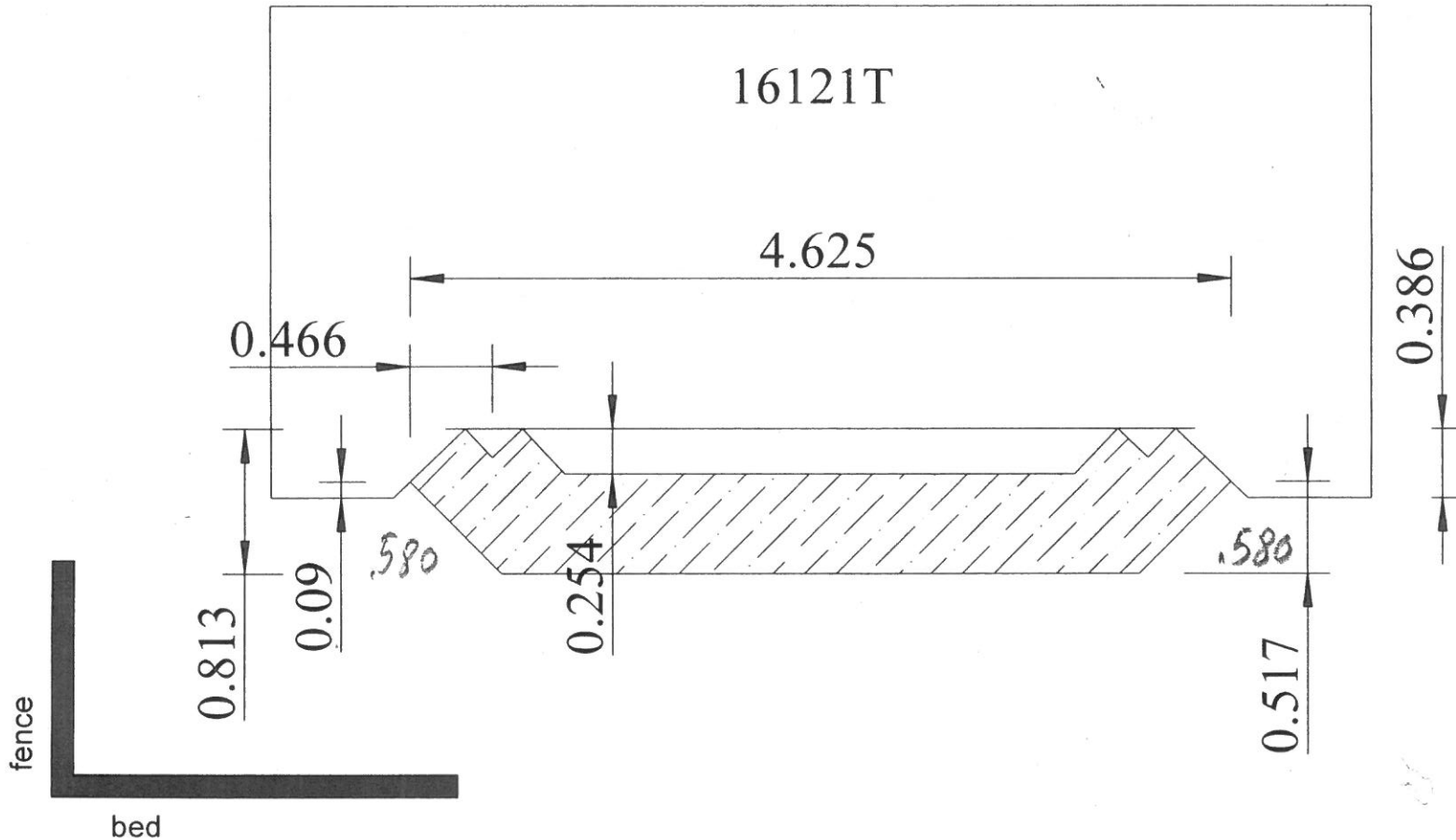


Services Requested & Material Selection
(circle all that apply)

	Finished	Rough
M3+HSS	Double-Back	Supre
TCT Inlaid	Insert	SRS

I-18

AXIAL # _____



Michael Weing, Inc
124 Crosslake Park Drive
 Mooresville, NC 28117

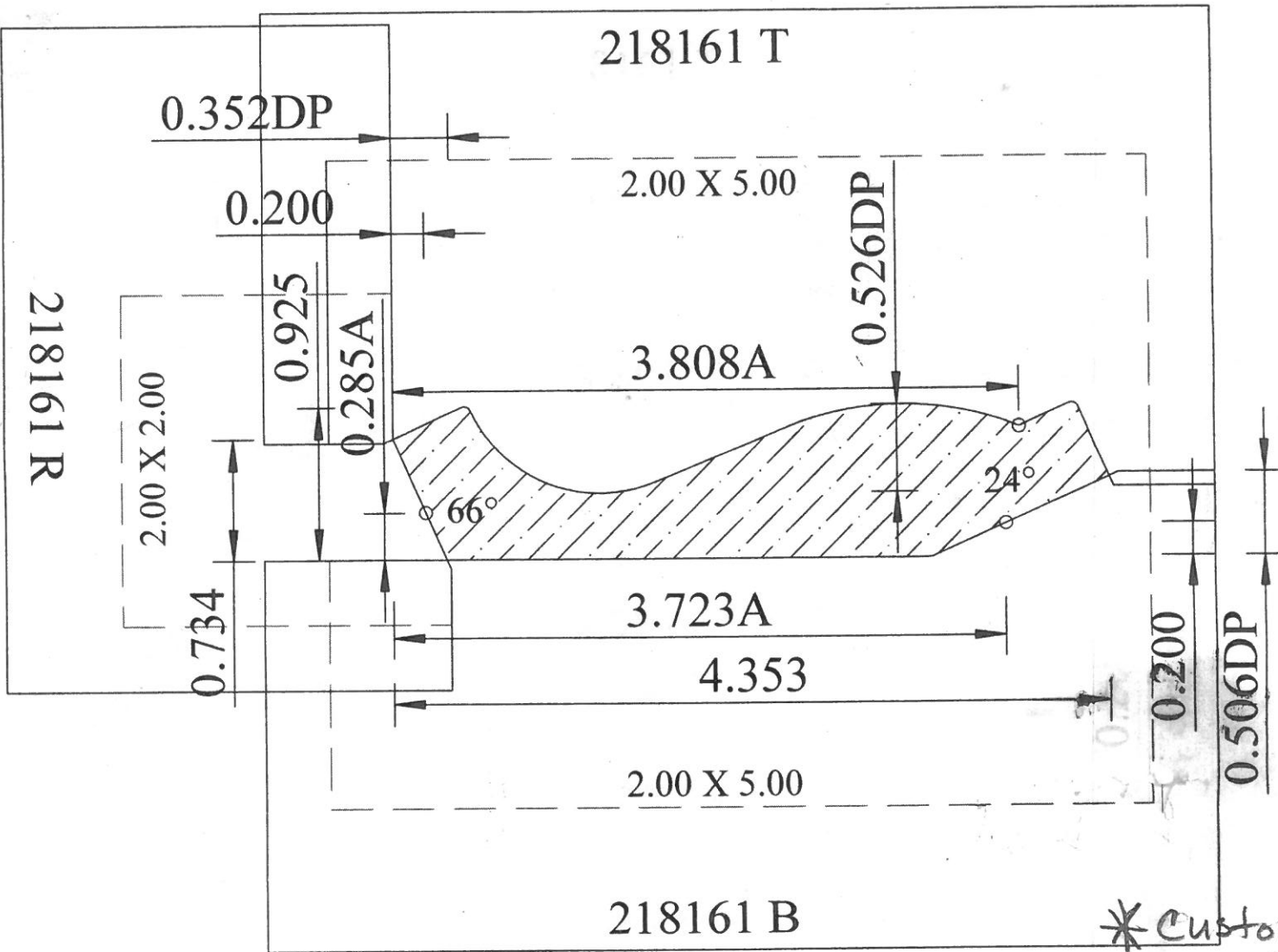
Sign for approval or make changes: _____
DRAWN BY: "CHADROE" SLOAN

X

Thank you



I-65



* Custom for
 J.M. Construction
 (Pine Lake Res)

View From Outfeed

CLIENT NAME: FILLINGER

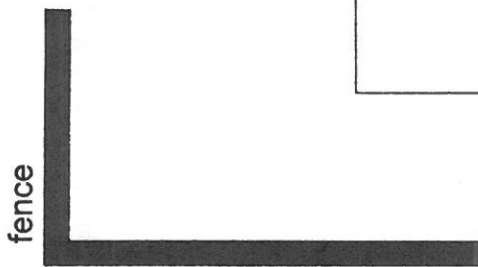
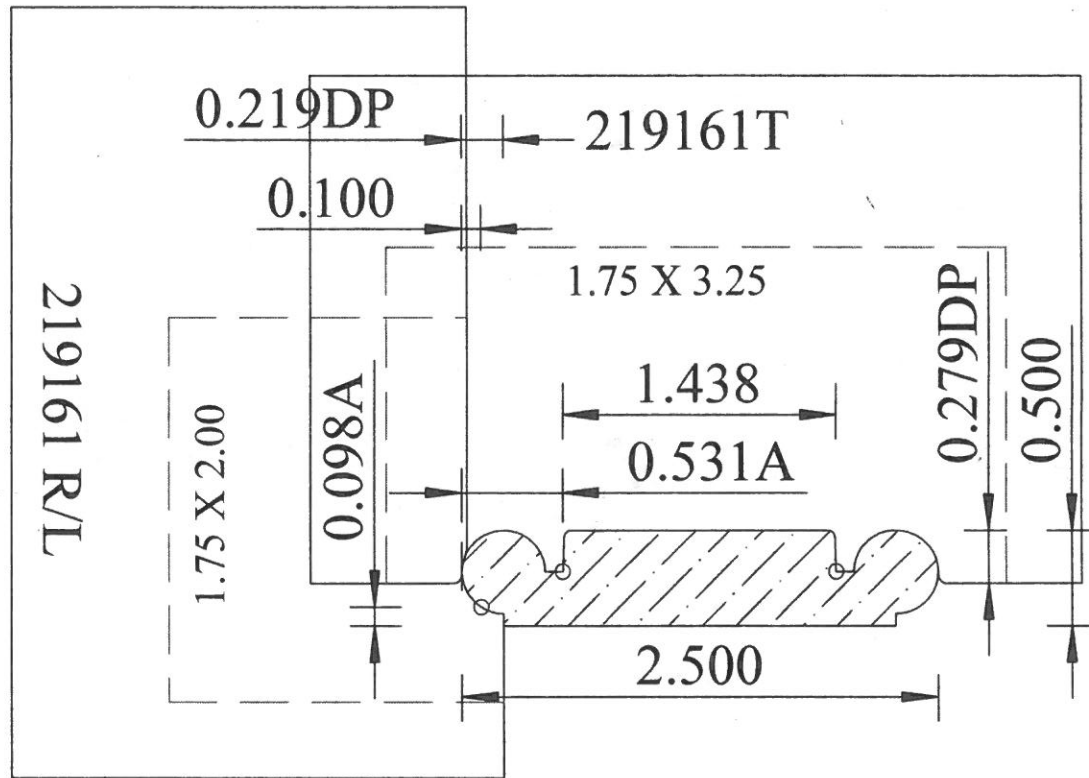
SIGN FOR APPROVALS: X
 DRAWN BY: MARIA ALEMAN

DATE: _____

THIS DRAWING IS PROPERTY OF WEINIG INC.



I-66



fence

bed

View From Outfeed

*Custom for Jim Construction (Pine Lake Residence)

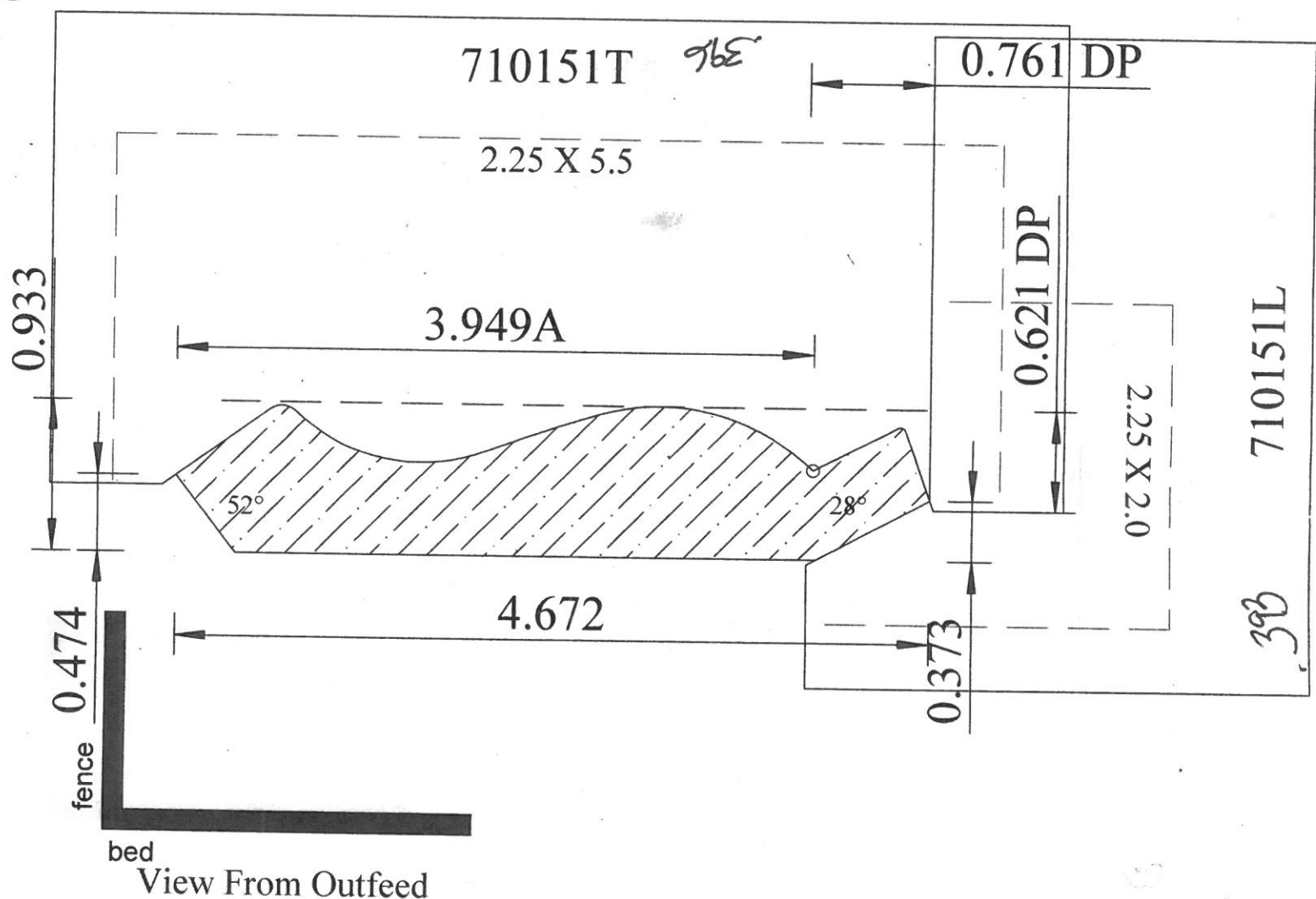
CLIENT NAME: FILLINGER

SIGN FOR APPROVALS: X
DRAWN BY: MARIA ALEMAN

DATE: _____

THIS DRAWING IS PROPERTY OF WEINIG INC.

I-88



FILLINGER INC

Client Name: _____

Sign for approvals:

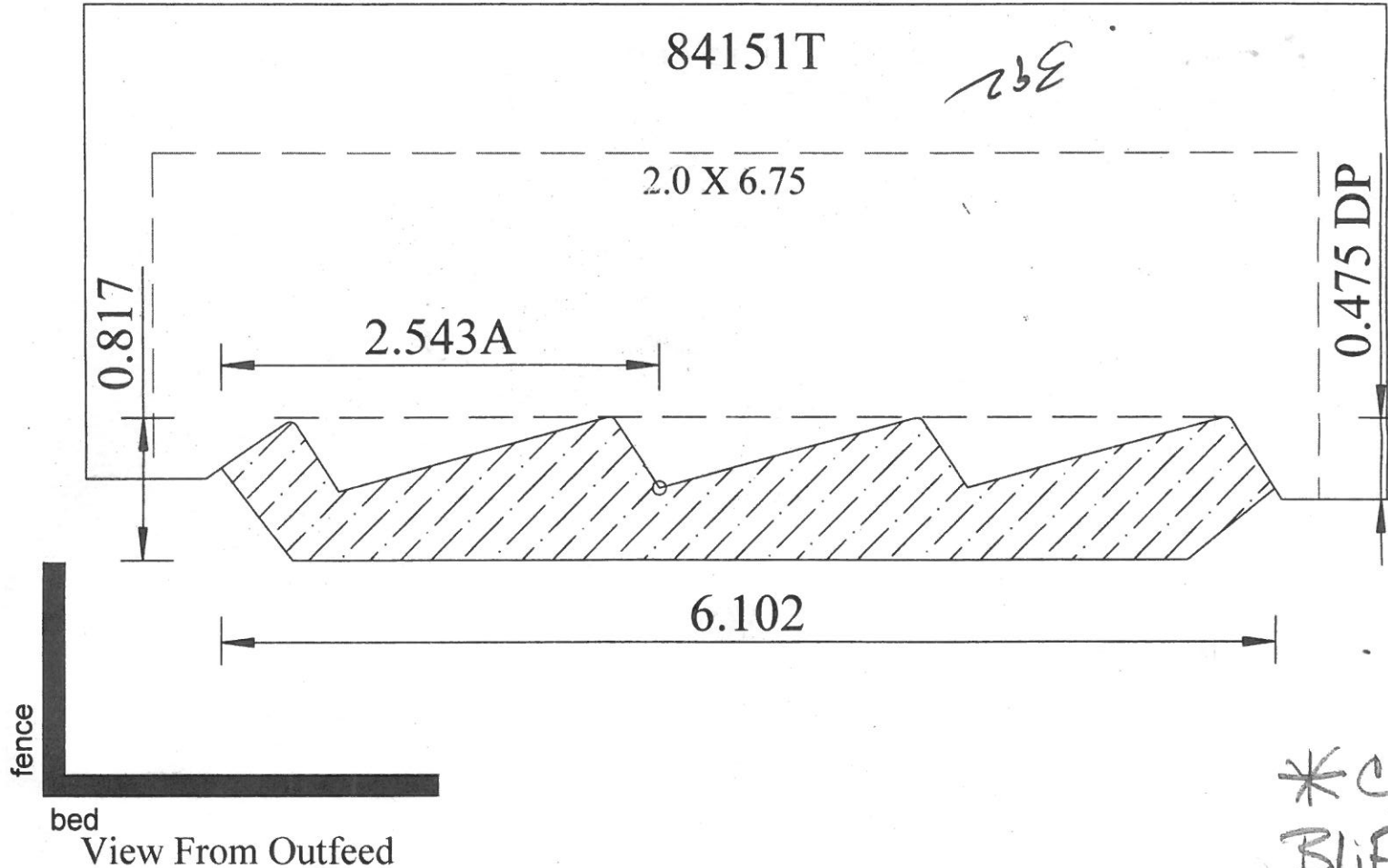
DRAWN BY: "Michael Neville"

Date: _____

THIS DRAWING IS PROPERTY OF WEINIG INC.



I-93



* Custom for
Blifford Lumber
Co

Client Name: FILLINGER INC

Sign for approvals: X Date: _____
DRAWN BY: "Michael Neville"

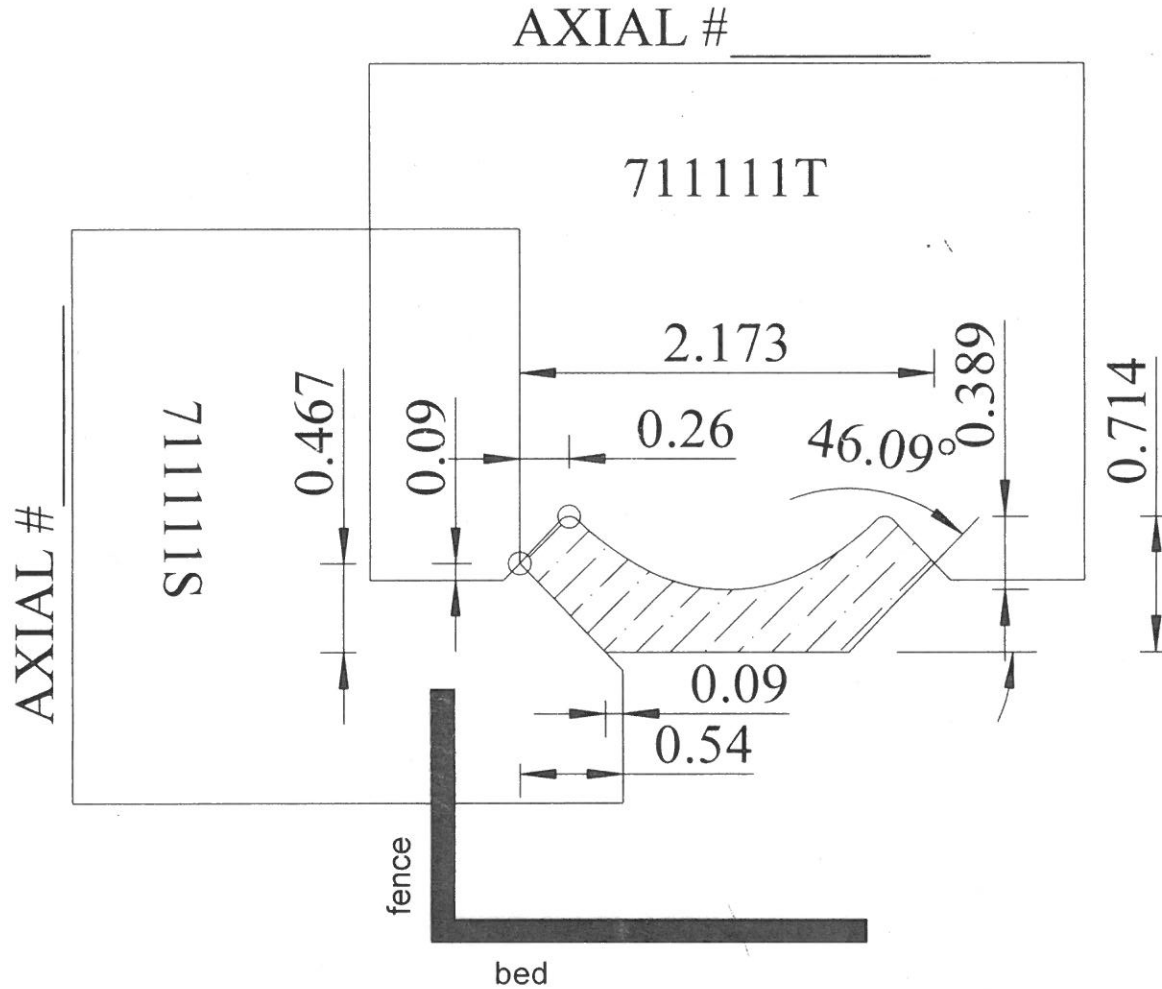
THIS DRAWING IS PROPERTY OF WEINIG INC.



Services Requested & Material Selection
(circle all that apply)

	Finished	Rough
M3+HSS	Double-Back	Supre
TCT Inlaid	Insert	SRS

J-20



AXIAL # _____

R
.665

L
.662



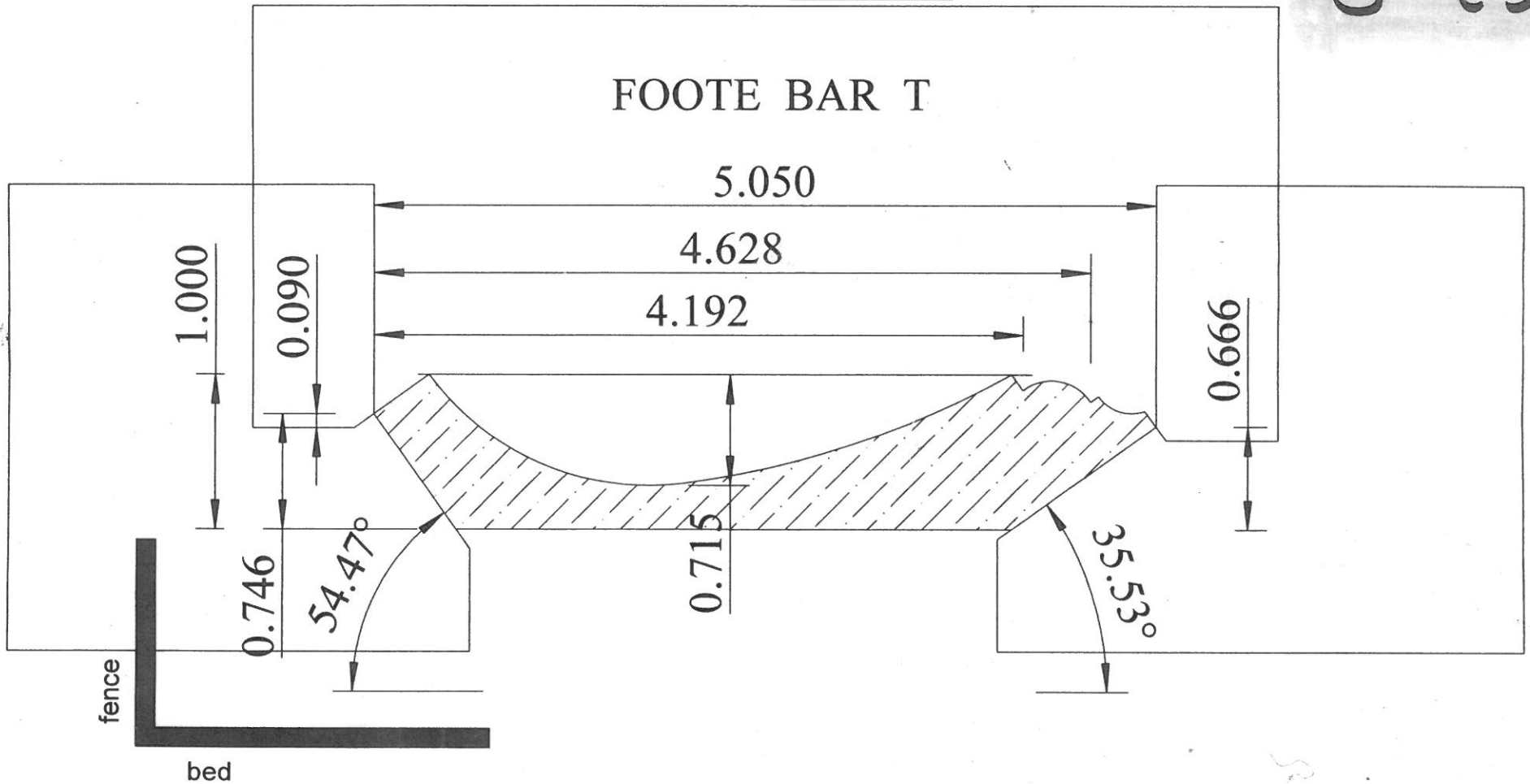
Services Requested & Material Selection
(circle all that apply)

	Finished	Rough
M3+HSS	Double-Back	Supre
TCT Inlaid	Insert	SRS

J-43

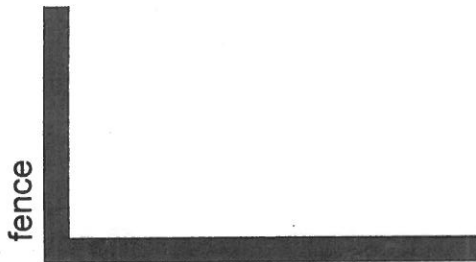
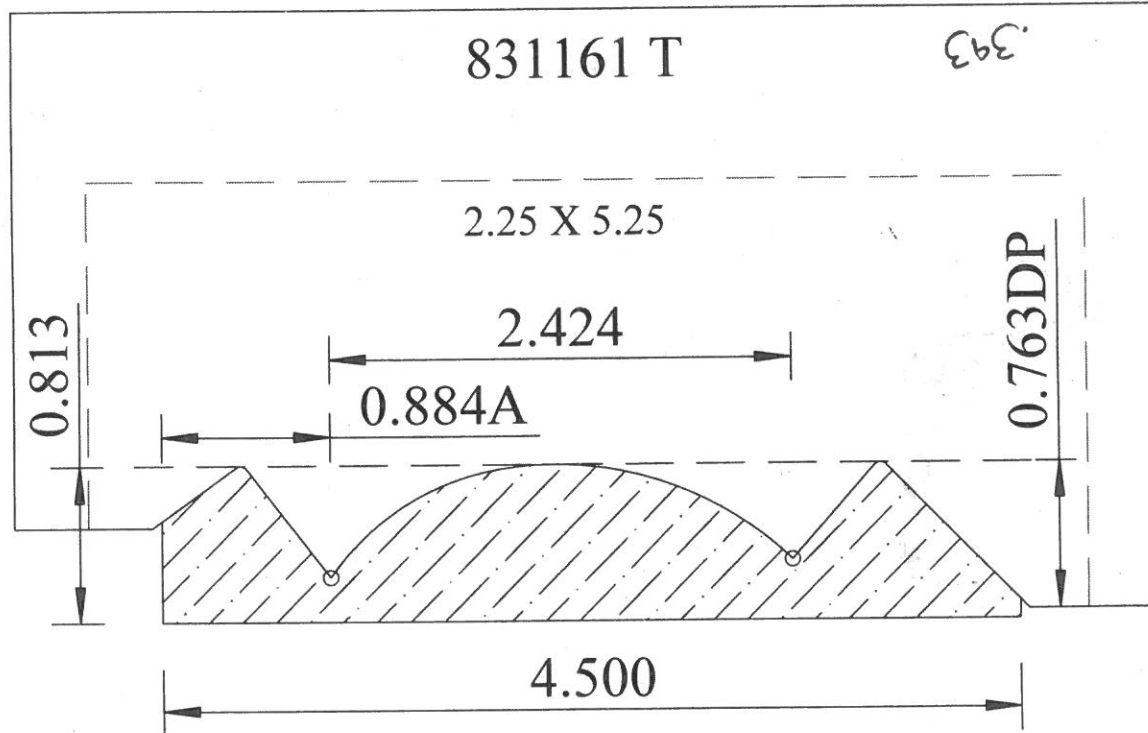
AXIAL # _____

FOOTE BAR T





J-73



fence

bed

View From Outfeed

*Custom
for Conrad
Schafel

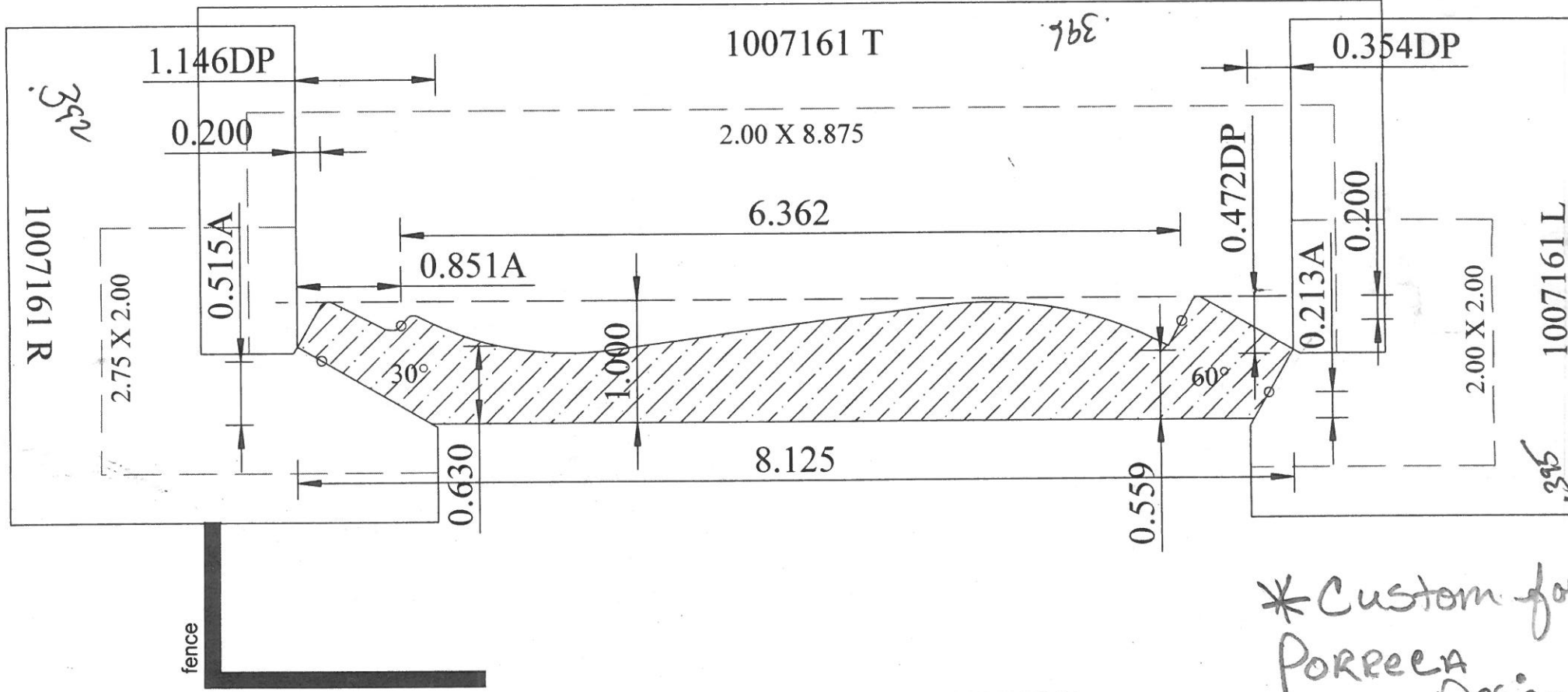
THIS DRAWING IS PROPERTY OF WEINIG INC.

CLIENT NAME: FILLINGER

SIGN FOR APPROVALS: X
DRAWN BY: MARIA ALEMAN

DATE: _____

K-66



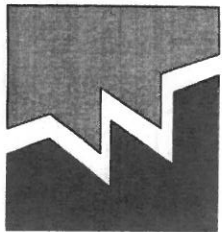
*Custom for PORCELA Design

CLIENT NAME: FILLINGER

SIGN FOR APPROVALS: X
DRAWN BY: MARIA ALEMAN

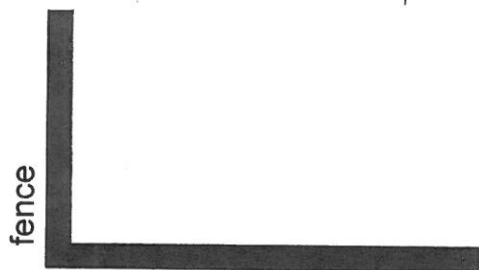
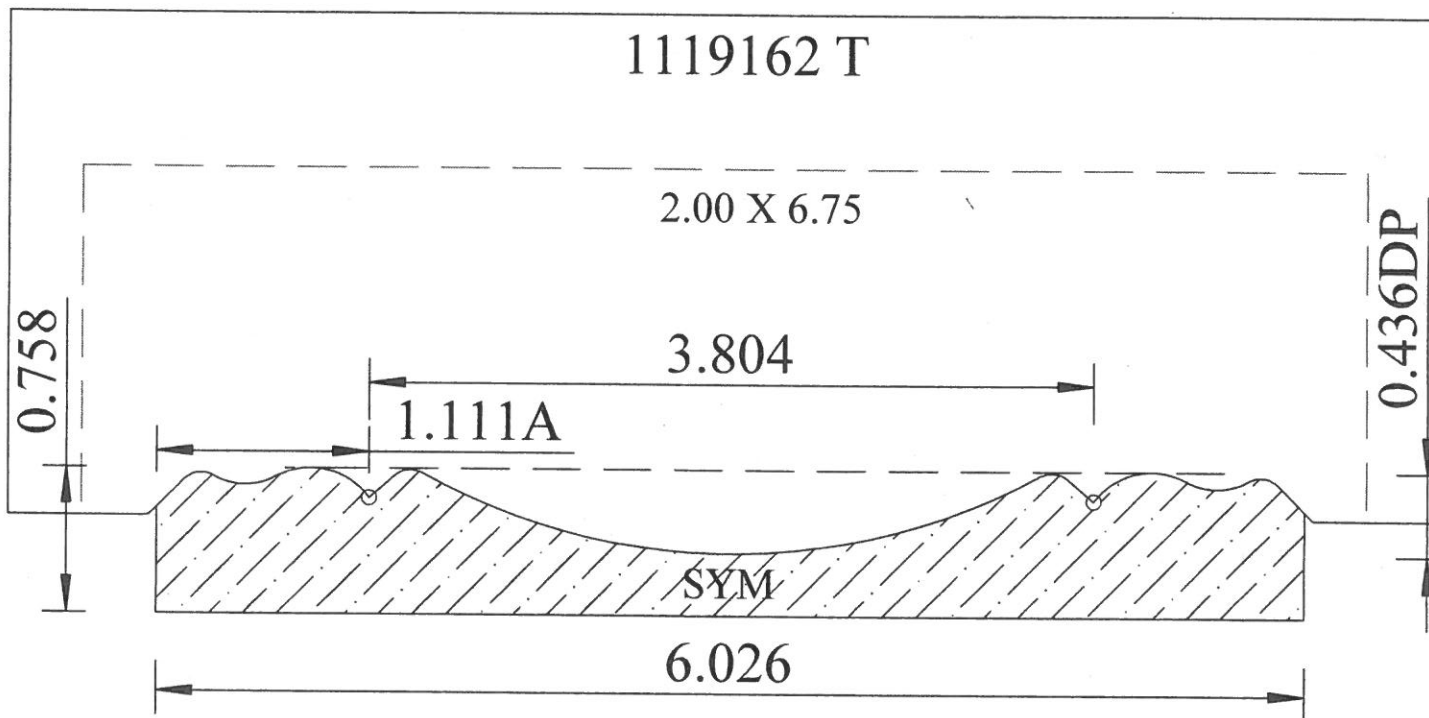
DATE: _____

THIS DRAWING IS PROPERTY OF WEINIG INC.



WEINIG

K-76



bed

View From Outfeed

* Custom for Jim Construction

CLIENT NAME: FILLINGER

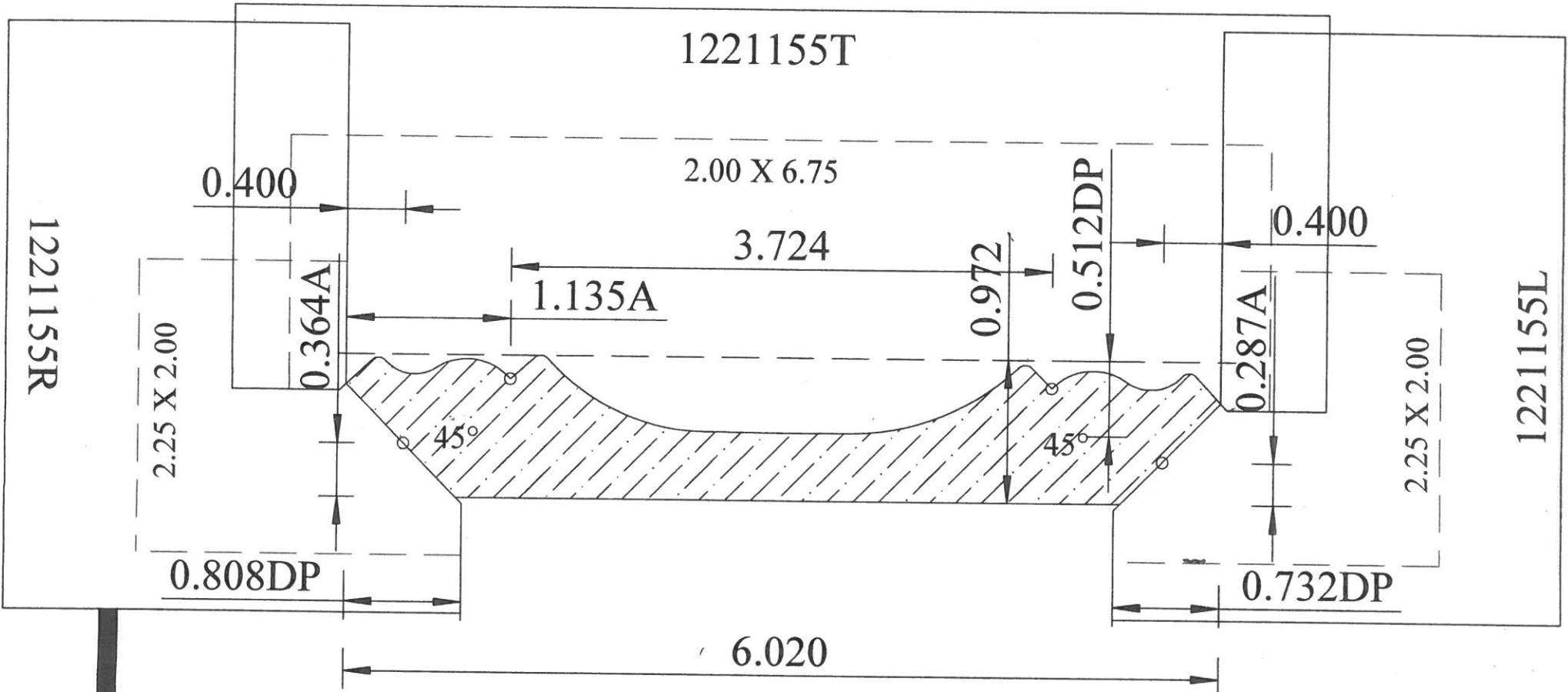
SIGN FOR APPROVALS: X _____ DATE: _____
DRAWN BY: MARIA ALEMAN

THIS DRAWING IS PROPERTY OF WEINIG INC.



K-81

Profile (E)



fence bed

* Custom for Jim Construction

View From Outfeed

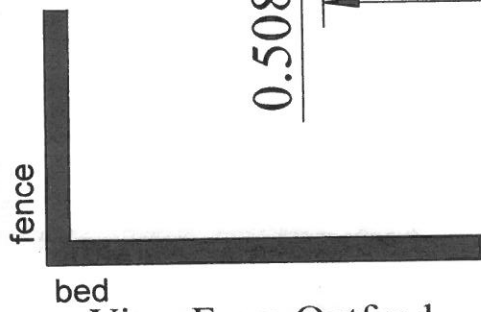
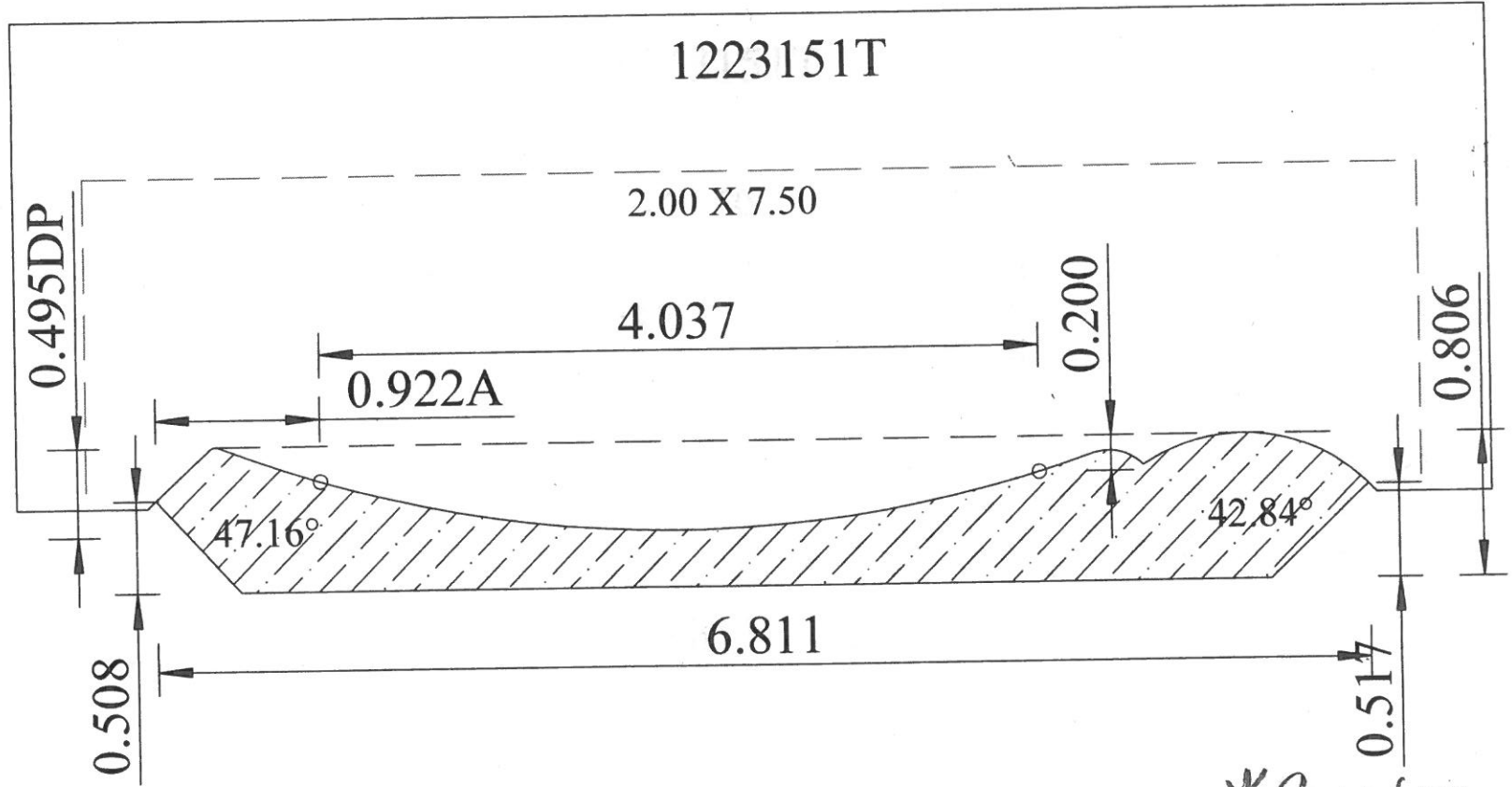
THIS DRAWING IS PROPERTY OF WEINIG INC.

CLIENT NAME: FILLINGER (Bullman Residence)

SIGN FOR APPROVALS: X DATE: DRAWN BY: MARIA ALEMAN



K-87



**Custom for
Jim Construction
(Bench Drive Res)*

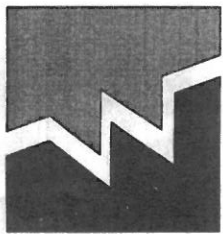
View From Outfeed

THIS DRAWING IS PROPERTY OF WEINIG INC.

CLIENT NAME: FILLINGER

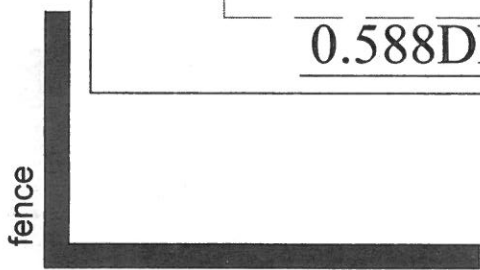
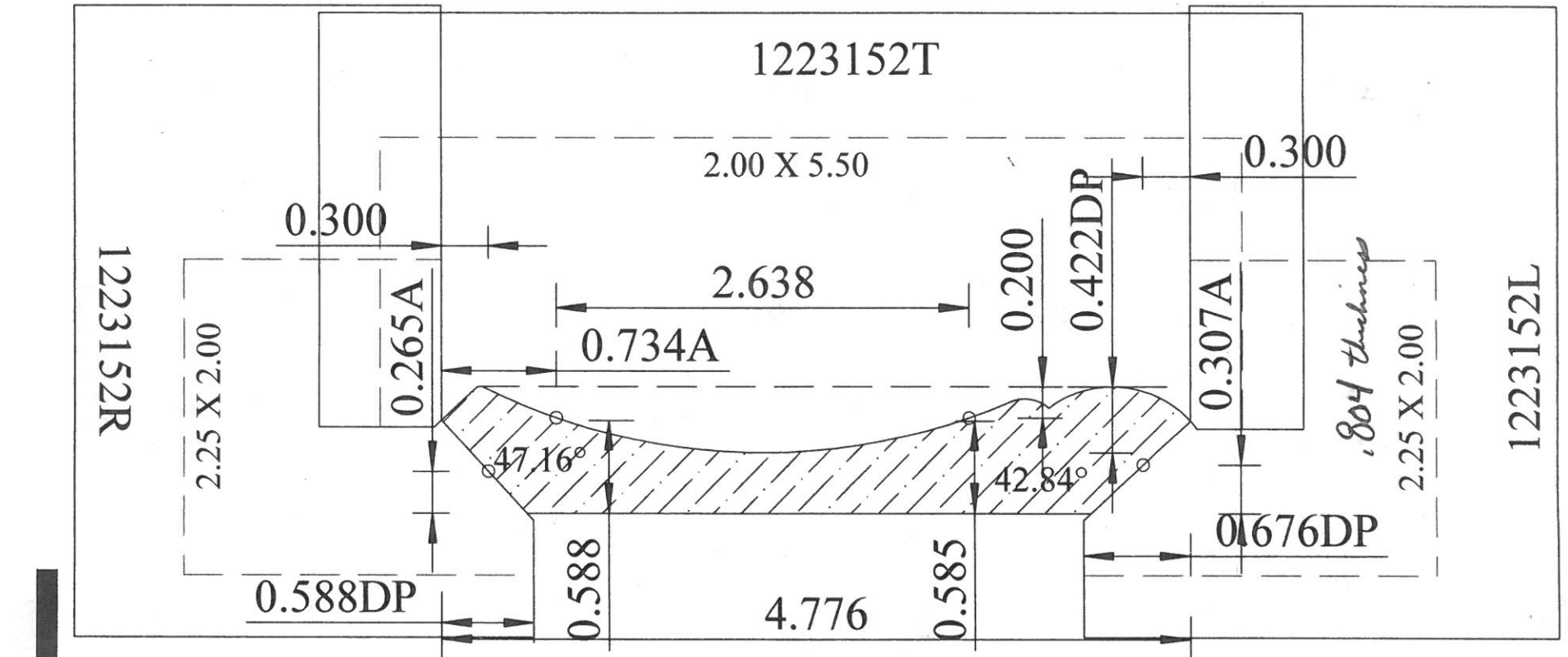
SIGN FOR APPROVALS: X _____
DRAWN BY: MARIA ALEMAN

DATE: _____



WEINIG

K-88



fence
bed

**Custom for
Jim Construction
(Beach Drive Res)*

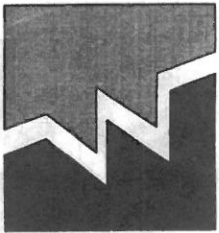
View From Outfeed

THIS DRAWING IS PROPERTY OF WEINIG INC.

CLIENT NAME: FILLINGER

SIGN FOR APPROVALS: X
DRAWN BY: MARIA ALEMAN

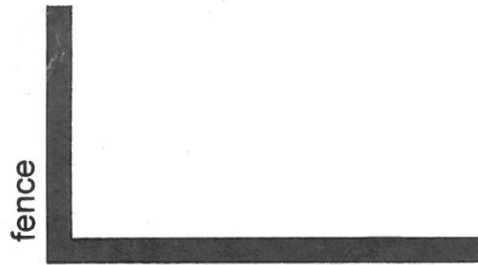
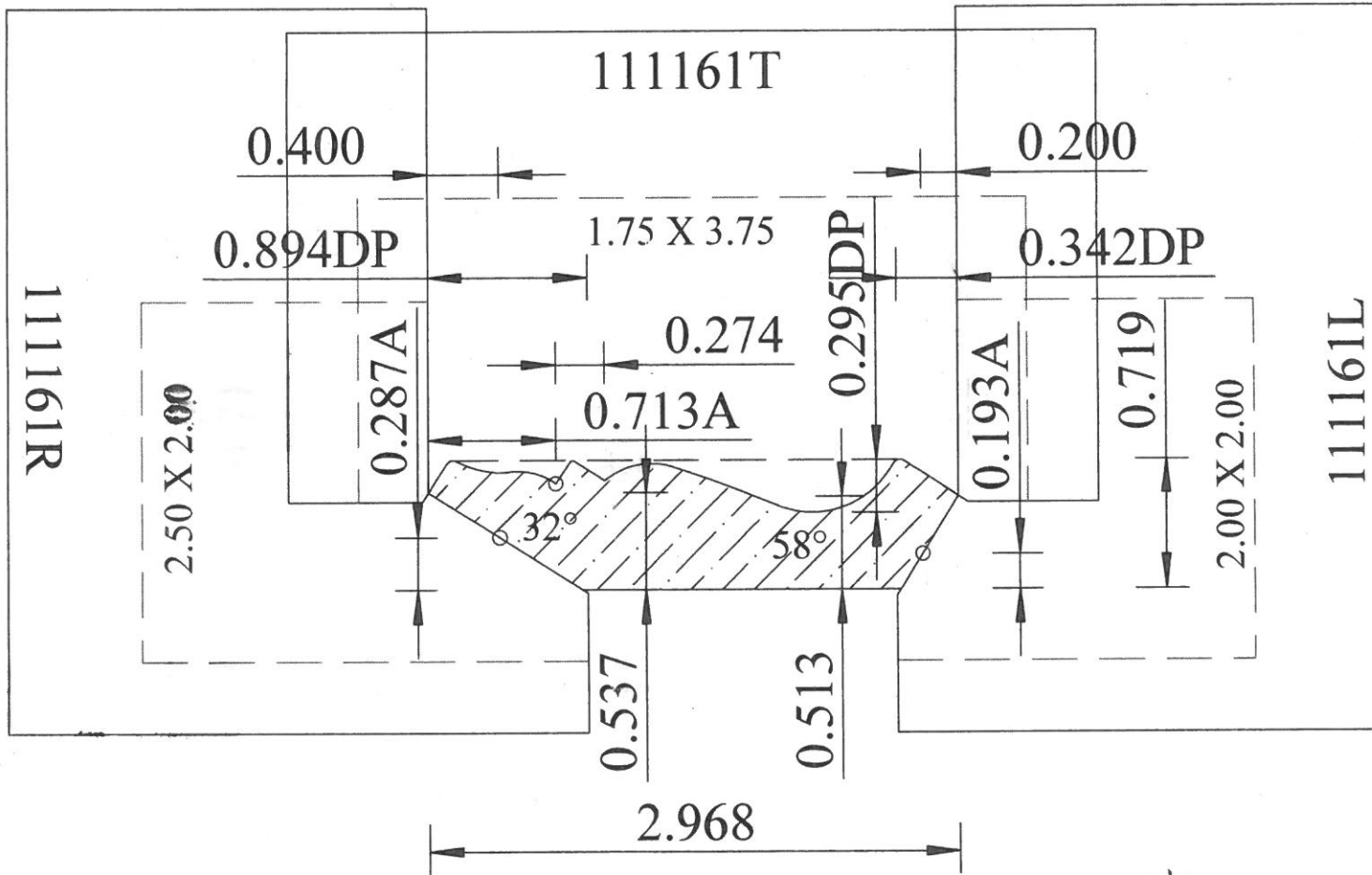
DATE: _____



WEINIG

K-90

F



fence

bed

View From Outfeed

* Custom for Jim Construction (Builtman Residence)

CLIENT NAME: FILLINGER

SIGN FOR APPROVALS: X
DRAWN BY: MARIA ALEMAN

DATE: _____

THIS DRAWING IS PROPERTY OF WEINIG INC.

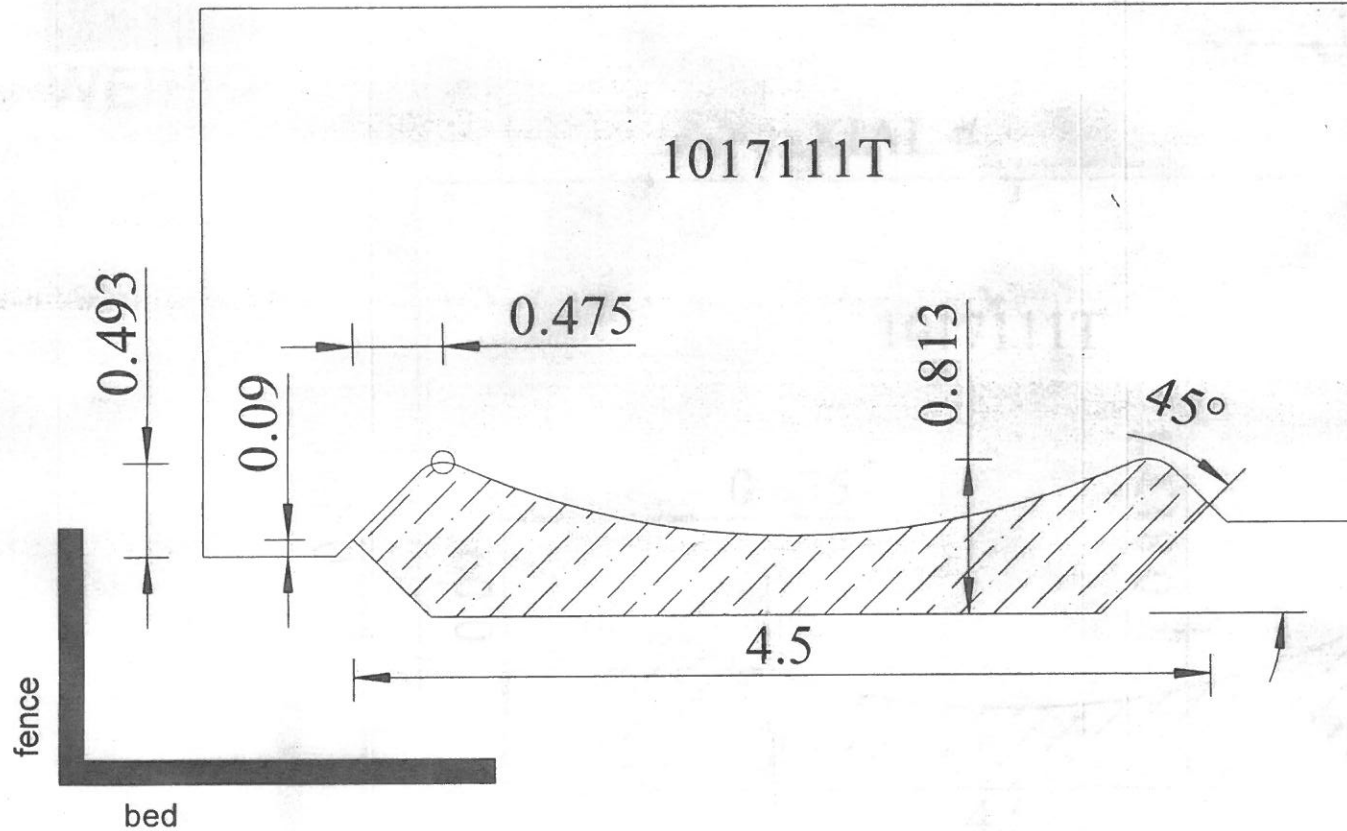


Services Requested & Material Selection
(circle all that apply)

	Finished	Rough
M3+HSS	Double-Back	Supre
TCT Inlaid	Insert	SRS

AXIAL # _____

M-21



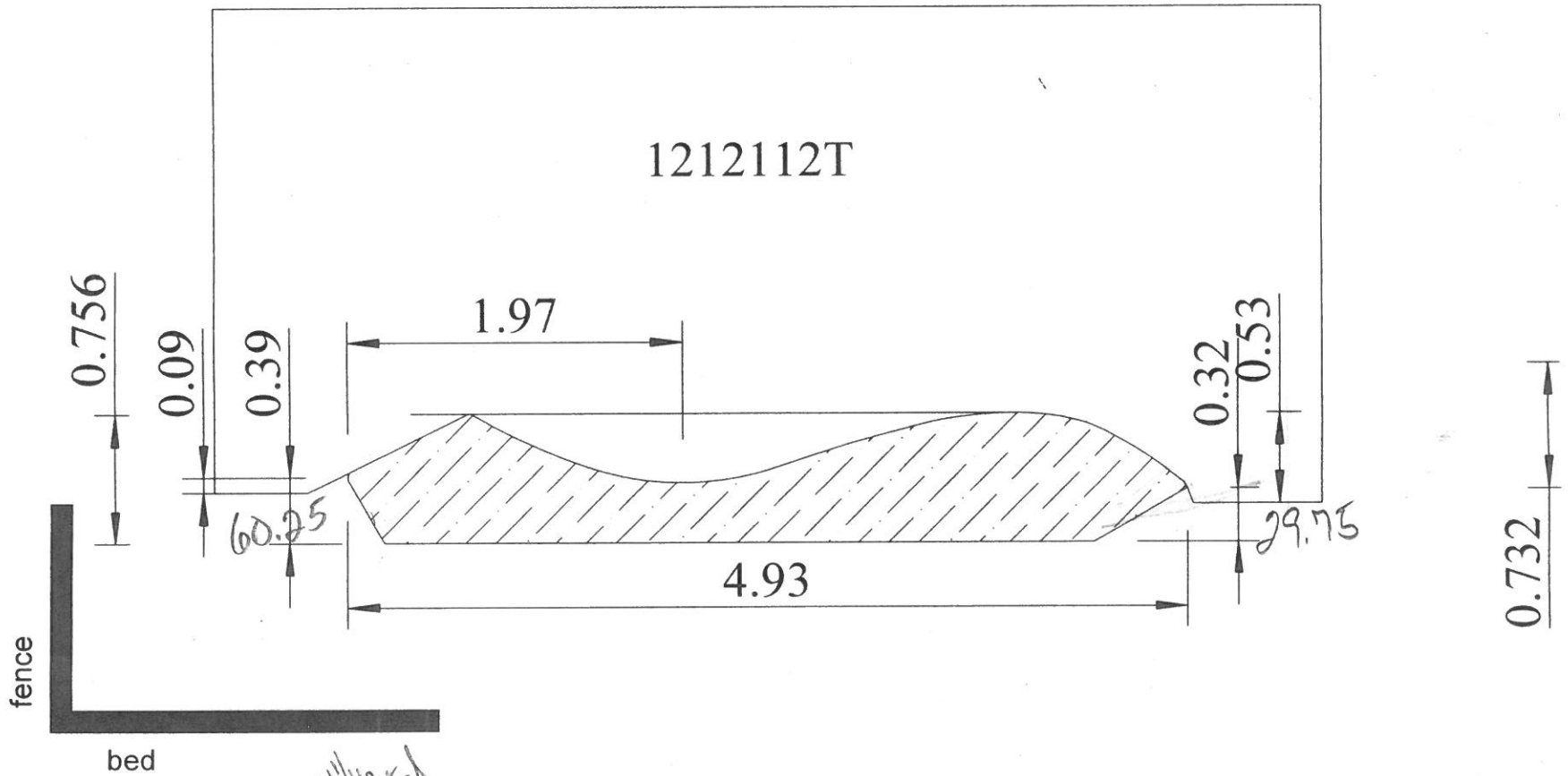


Services Requested & Material Selection
(circle all that apply)

	Finished	Rough
M3+HSS	Double-Back	Supre
TCT Inlaid	Insert	SRS

0-17

AXIAL # _____



5 1/16 steel

Michael Weinig, Inc
124 Crosslake Park Drive
Mooresville, NC 28117

Sign for approval or make changes: _____ X
DRAWN BY: "CHADROE" SLOAN

Thank you



Services Requested & Material Selection
(circle all that apply)

	Finished	Rough
M3+HSS	Double-Back	Supre
TCT Inlaid	Insert	SRS

Q-32

