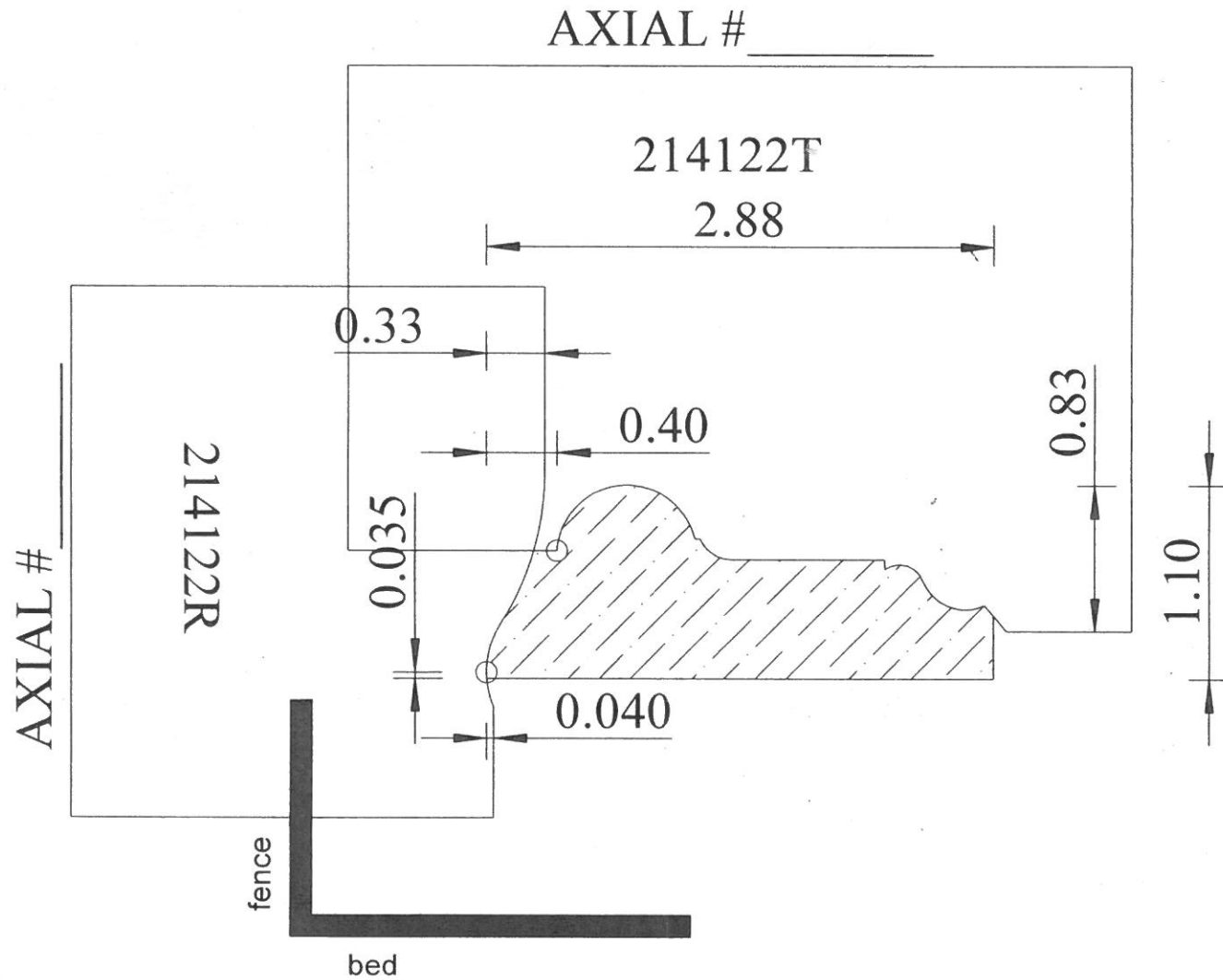




Services Requested & Material Selection
(circle all that apply)

	Finished	Rough
M3+HSS	Double-Back	Supre
TCT Inlaid	Insert	SRS

A-69

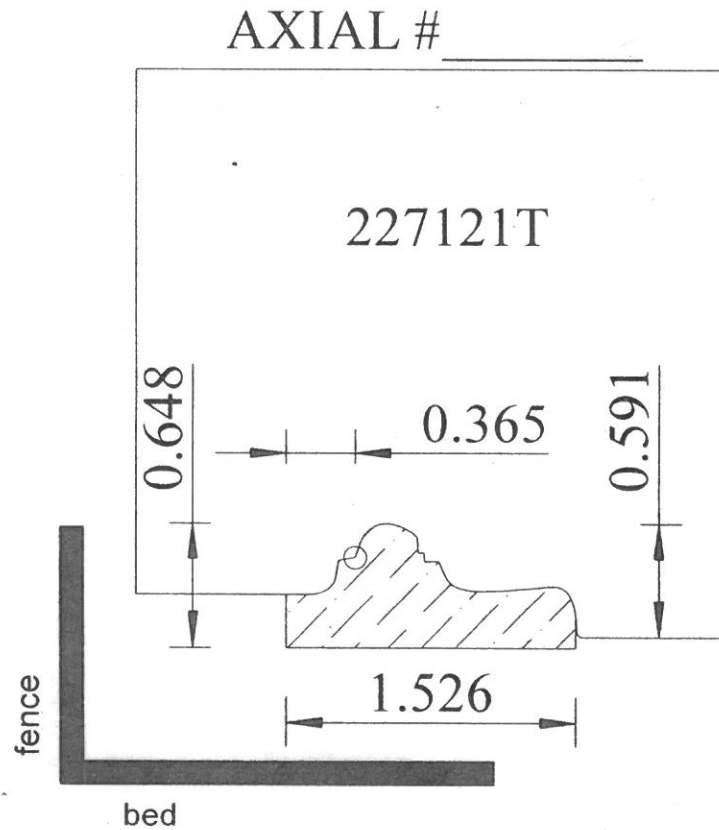




Services Requested & Material Selection
(circle all that apply)

	Finished	Rough
M3+HSS	Double-Back	Supre
TCT Inlaid	Insert	SRS

A-71

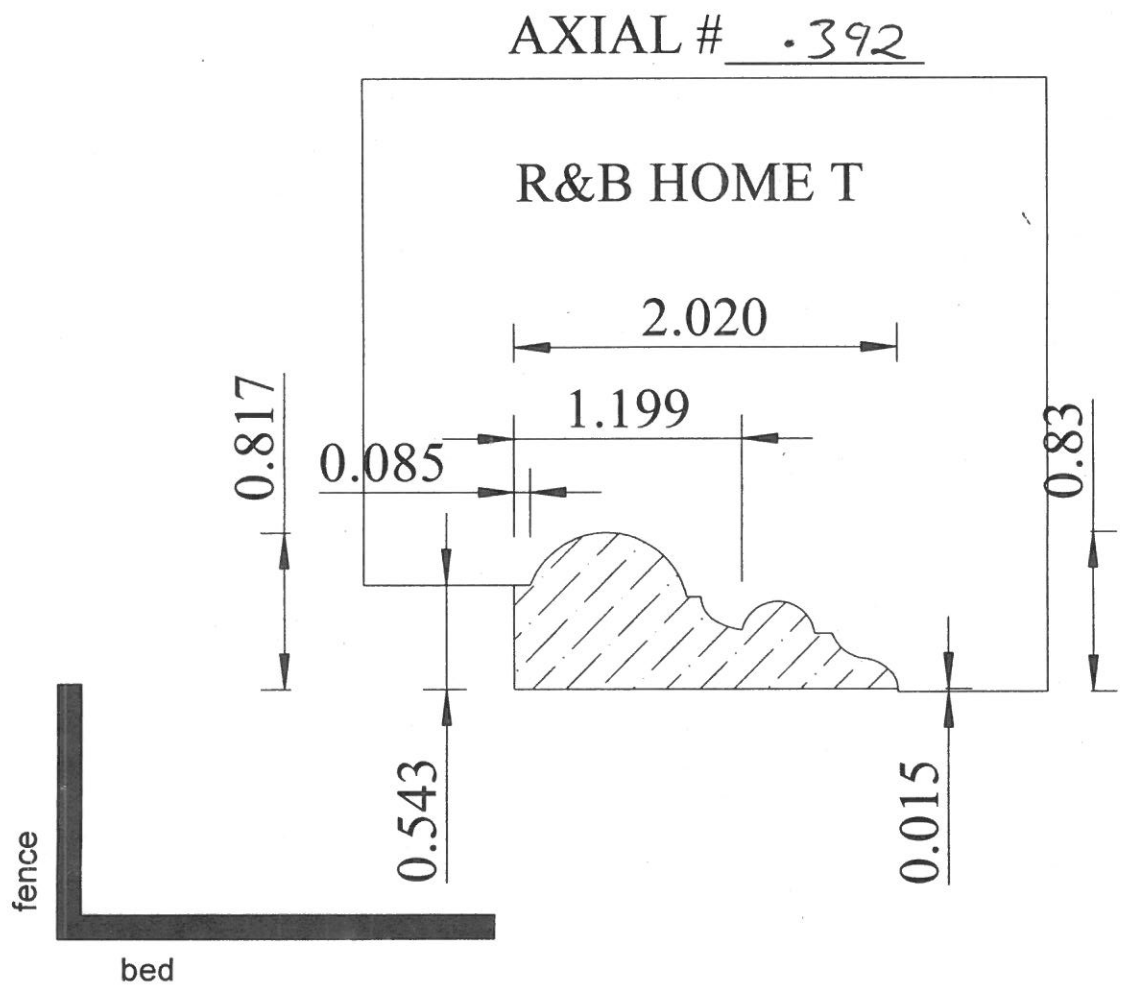




Services Requested & Material Selection
(circle all that apply)

	Finished	Rough
M3+HSS	Double-Back	Supre
TCT Inlaid	Insert	SRS

A-83



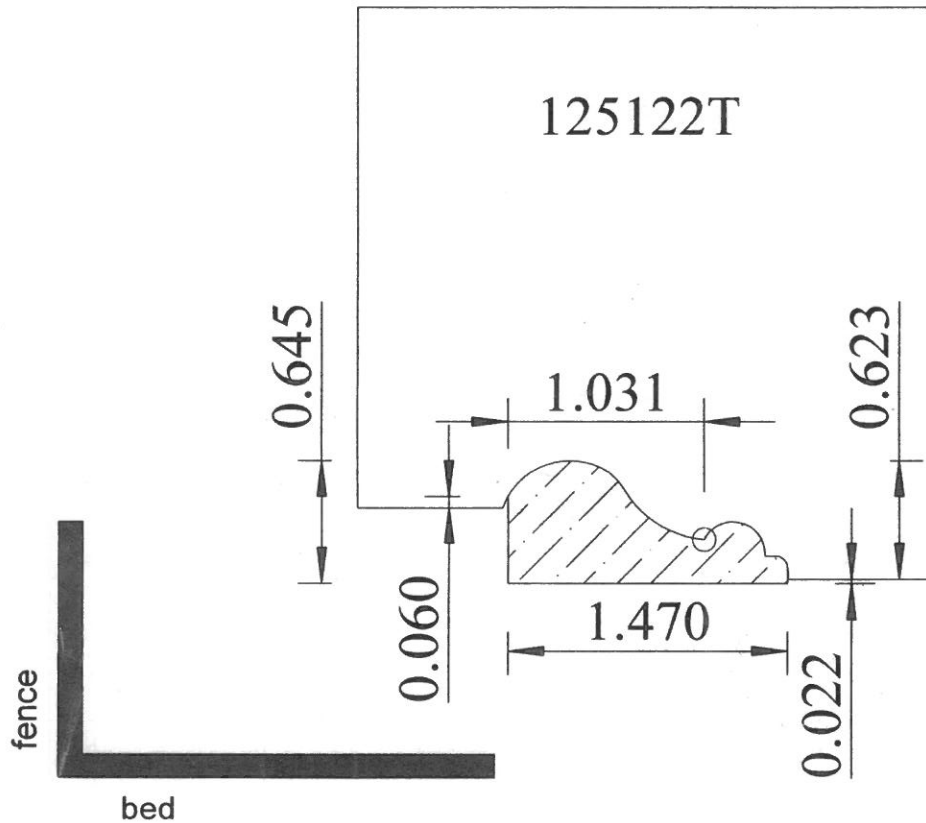


Services Requested & Material Selection
(circle all that apply)

	Finished	Rough
M3+HSS	Double-Back	Supre
TCT Inlaid	Insert	SRS

A-89

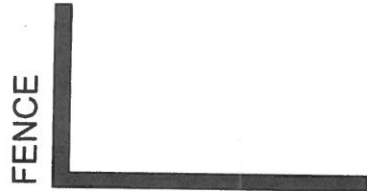
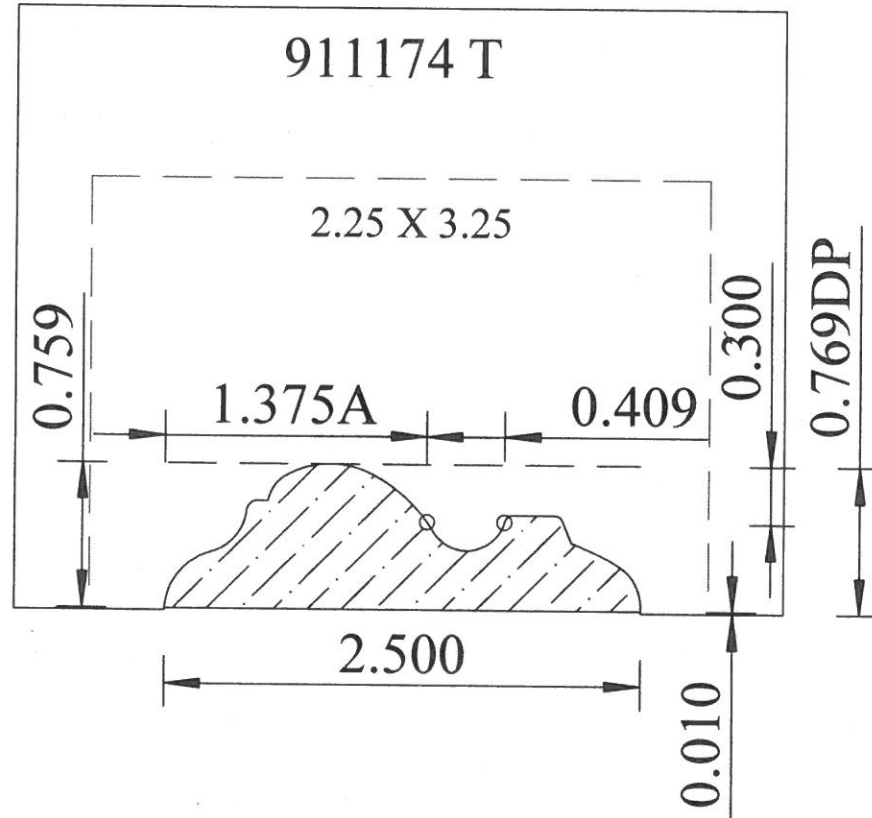
AXIAL # 392



* Custom for Pinnacle



C-58



BED

VIEW FROM OUTFEED

*Custom for John CZARNECK

THIS DRAWING IS PROPERTY OF WEINIG INC.

CLIENT NAME: FILLINGER

SIGN FOR APPROVALS: X
DRAWN BY: MARIA ALEMAN

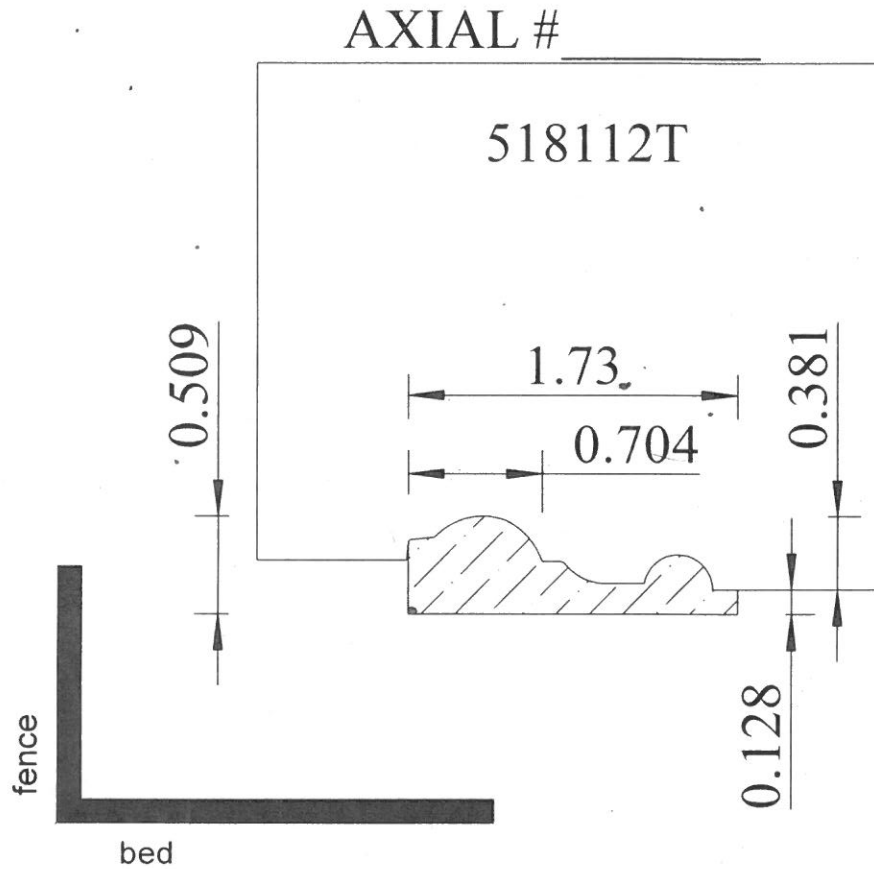
DATE: _____



Services Requested & Material Selection
(circle all that apply)

	Finished	Rough
M3+HSS	Double-Back	Supre
TCT Inlaid	Insert	SRS

C-74



*2" Steel
Cut @ 2 1/2*

Michael Weing, Inc
124 Crosslake Park Drive
Mooresville, NC 28117

Sign for approval or make changes: _____
DRAWN BY: "CHADROE" SLOAN

X

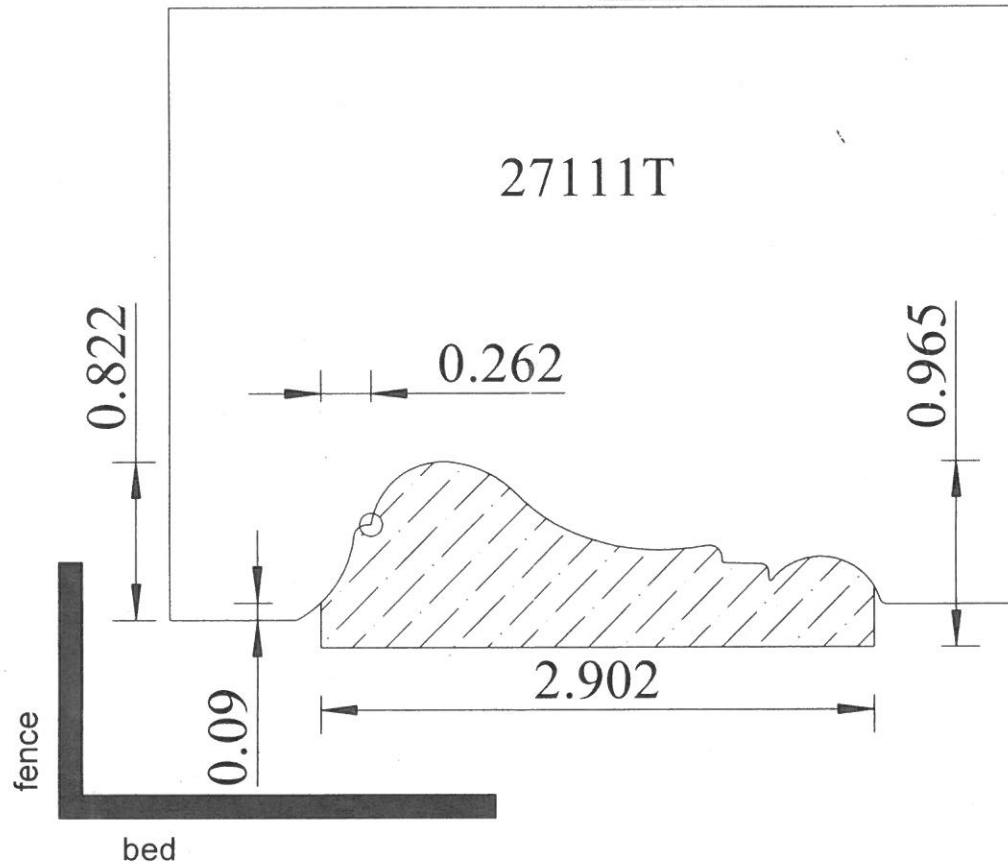
Thank you



Services Requested & Material Selection
(circle all that apply)

	Finished	Rough
M3+HSS	Double-Back	Supre
TCT Inlaid	Insert	SRS

AXIAL # _____



D-44

Grid # ~~_____~~

D-44

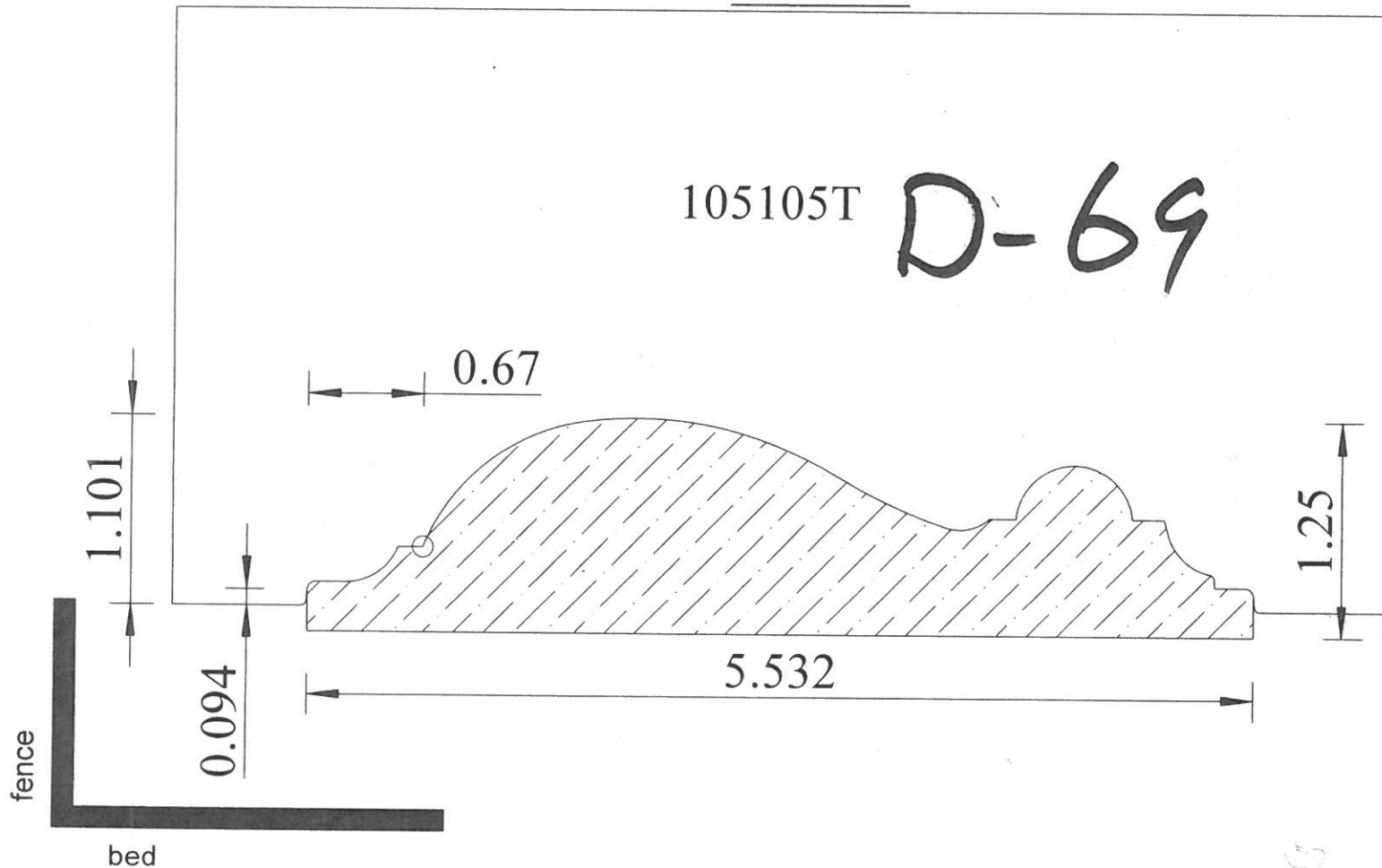


Services Requested & Material Selection
(circle all that apply)

	Finished	Rough
M3+HSS	Double-Back	Supre
TCT Inlaid	Insert	SRS

AXIAL # _____

D-69





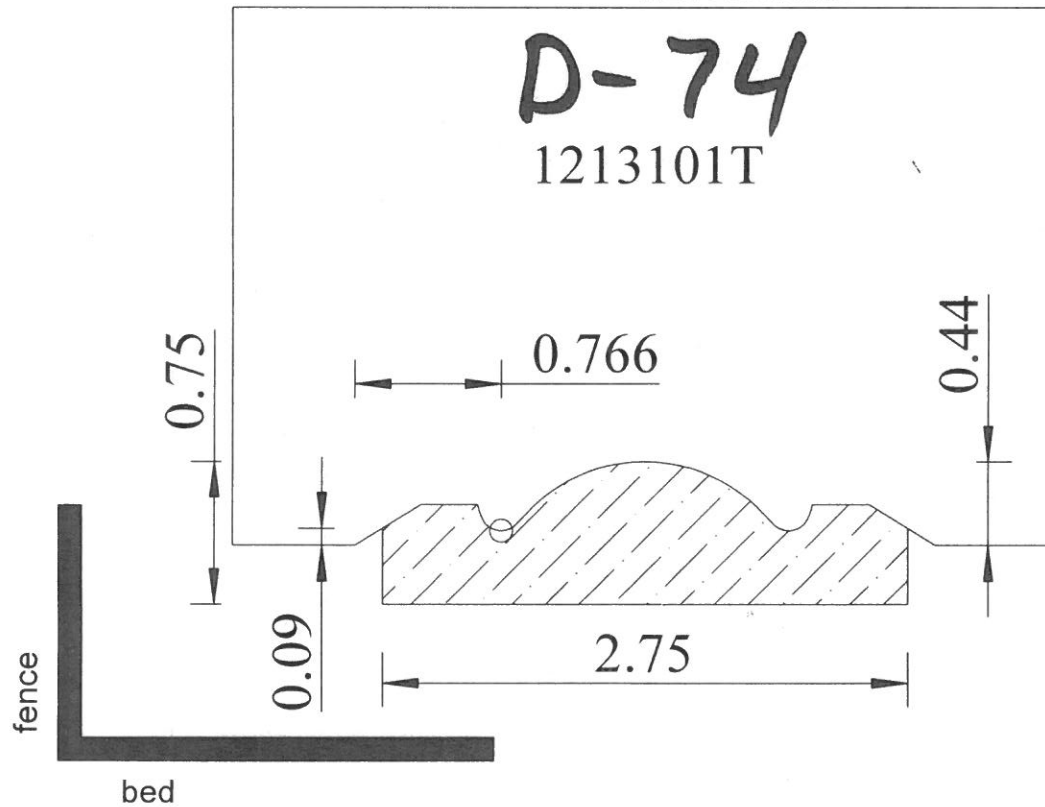
Services Requested & Material Selection
(circle all that apply)

	Finished	Rough
M3+HSS	Double-Back	Supre
TCT Inlaid	Insert	SRS

D-74

AXIAL # _____

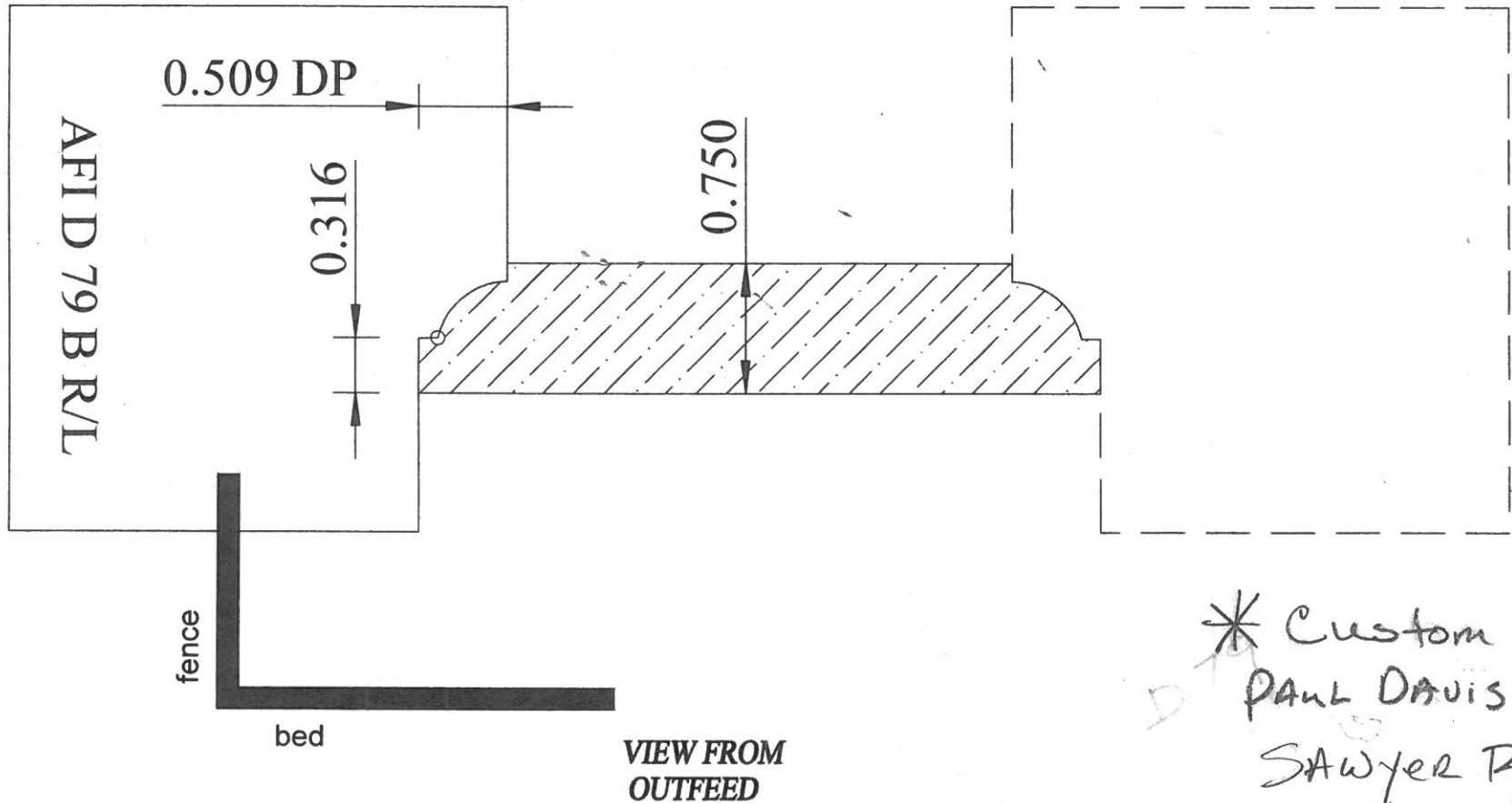
D-74
1213101T





	KNIFE MATERIAL	
M2 5/16"	M3+ HSS	SUPRE-18

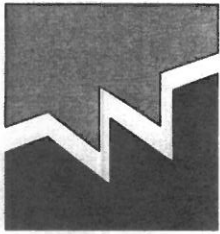
D-79



* Custom for
PAUL DAVIS Restorati
Sawyer Rd. Project

THIS DRAWING IS PROPERTY OF WEINIG INC.

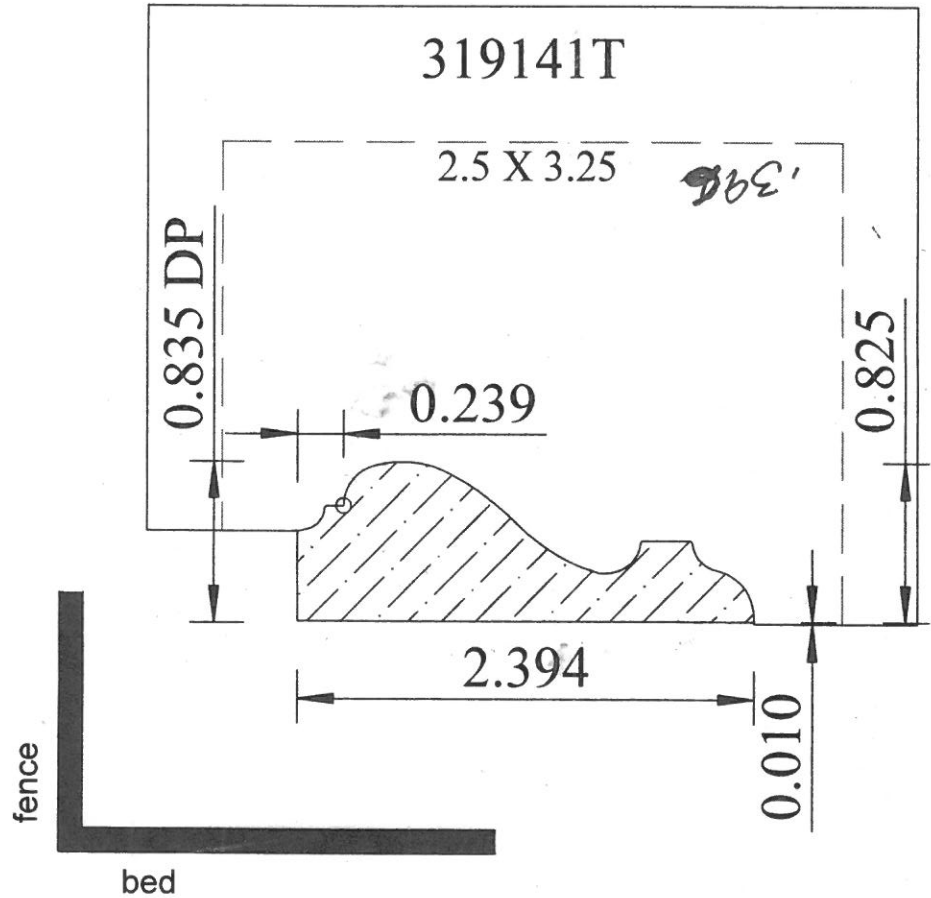
Sign for approvals: X Date: _____
DRAWN BY: "Michael Neville"



WEINIG

	KNIFE MATERIAL	
M2 5/16"	M3+ HSS	SUPRE-18

D-93



* Custom for Edgars

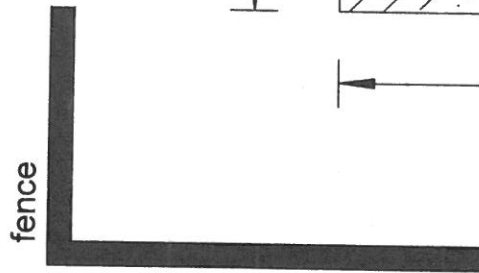
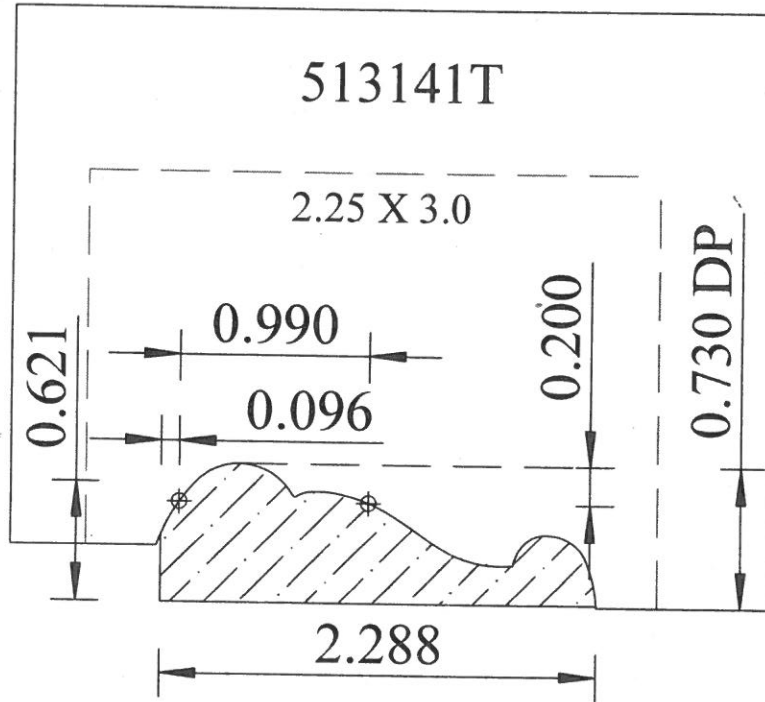
VIEW FROM
OUTFEED

THIS DRAWING IS PROPERTY OF WEINIG INC.

Sign for approvals: X _____ Date: _____
DRAWN BY: "Michael Neville"



E-89



View From Outfeed

1720 finish thickness

**Custom for
KUGEL Custom
Carpenter*

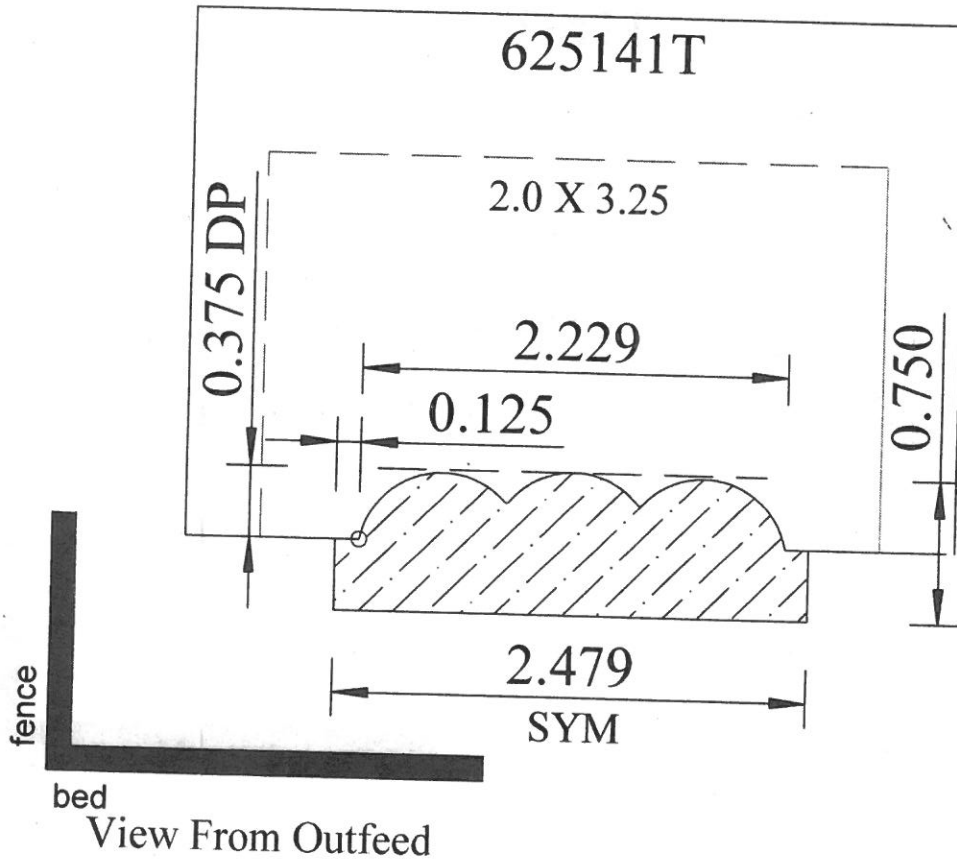
Client Name: FILLINGER

Sign for approvals: X
DRAWN BY: "Michael Neville" Date: _____

THIS DRAWING IS PROPERTY OF WEINIG INC.



E-93



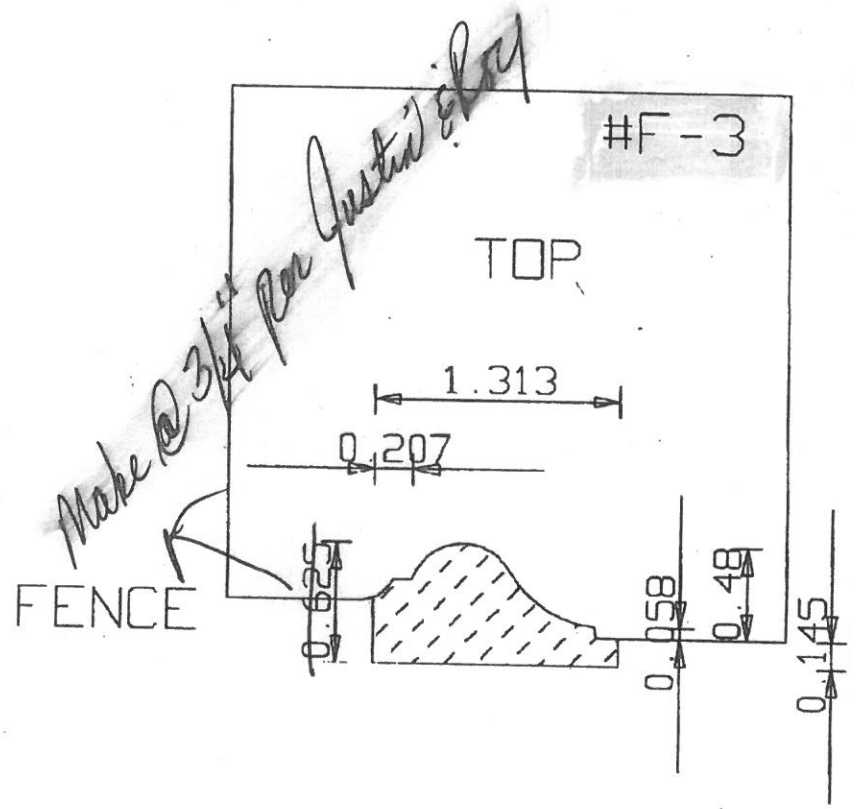
*Custom for
Quality Remodeling

Client Name: FILLINGER

Sign for approvals: X Date: _____
DRAWN BY: "Michael Neville"

THIS DRAWING IS PROPERTY OF WEINIG INC.

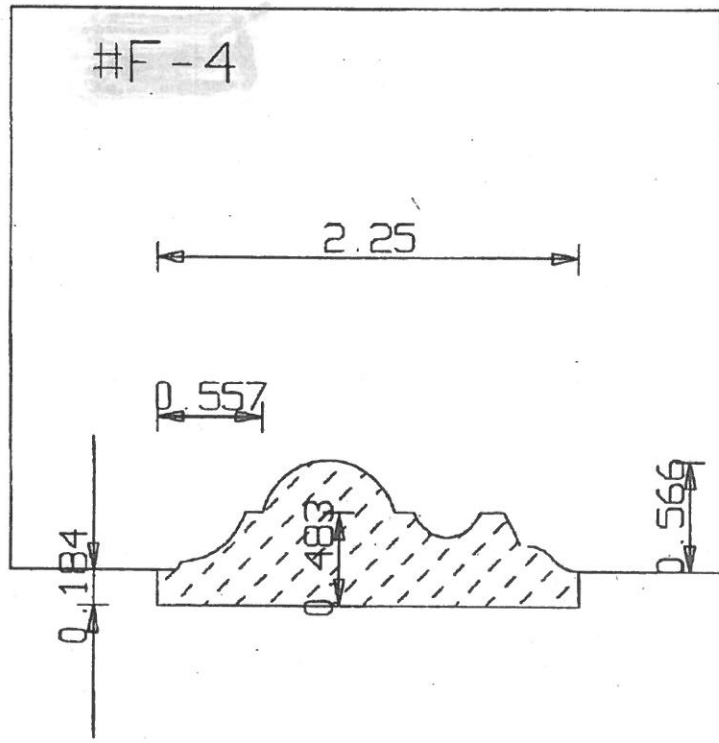
OK



ok

FENCE

0.75



0.184

0.557

2.25

0.483

0.566

0.184



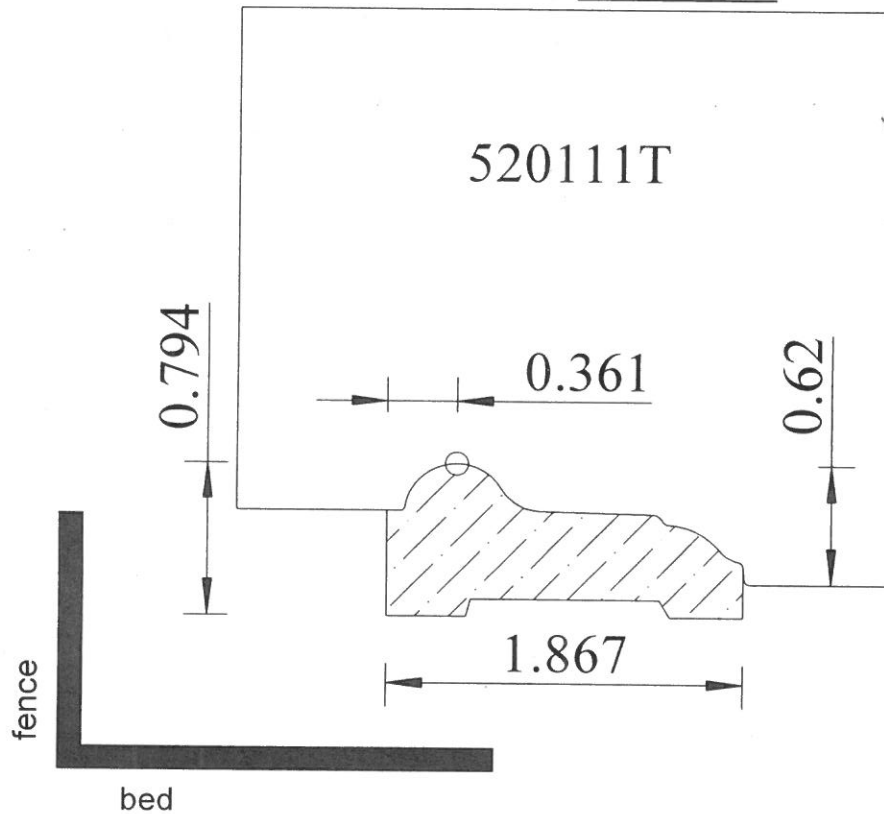
Services Requested & Material Selection
(circle all that apply)

	Finished	Rough
M3+HSS	Double-Back	Supre
TCT Inlaid	Insert	SRS

F-5

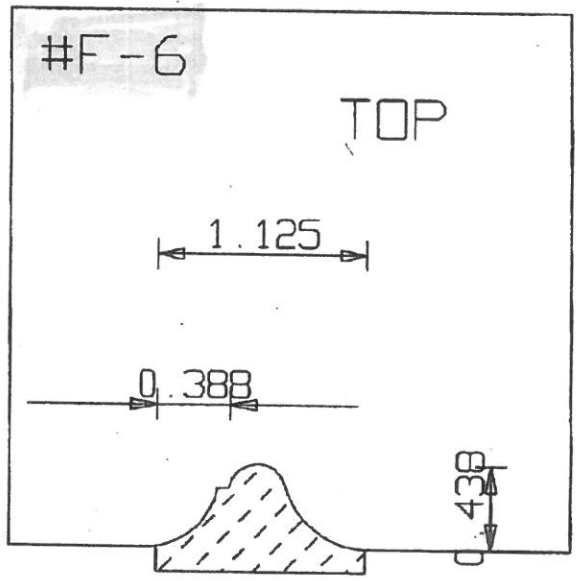
IKTOP F-CAB

AXIAL # _____



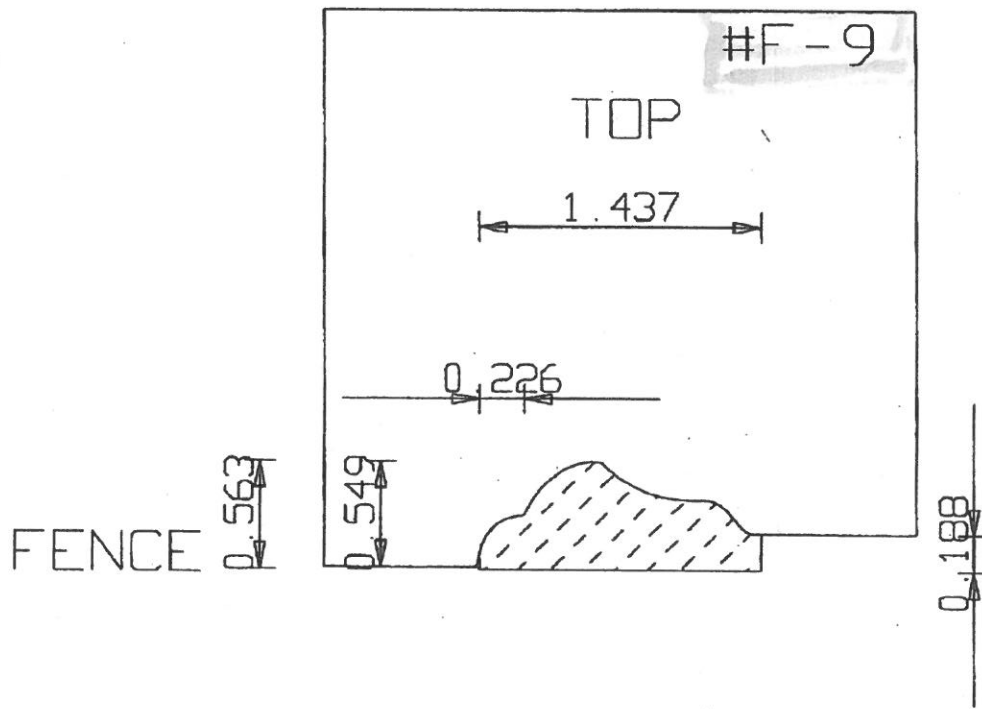
OK

FENCE 0.563

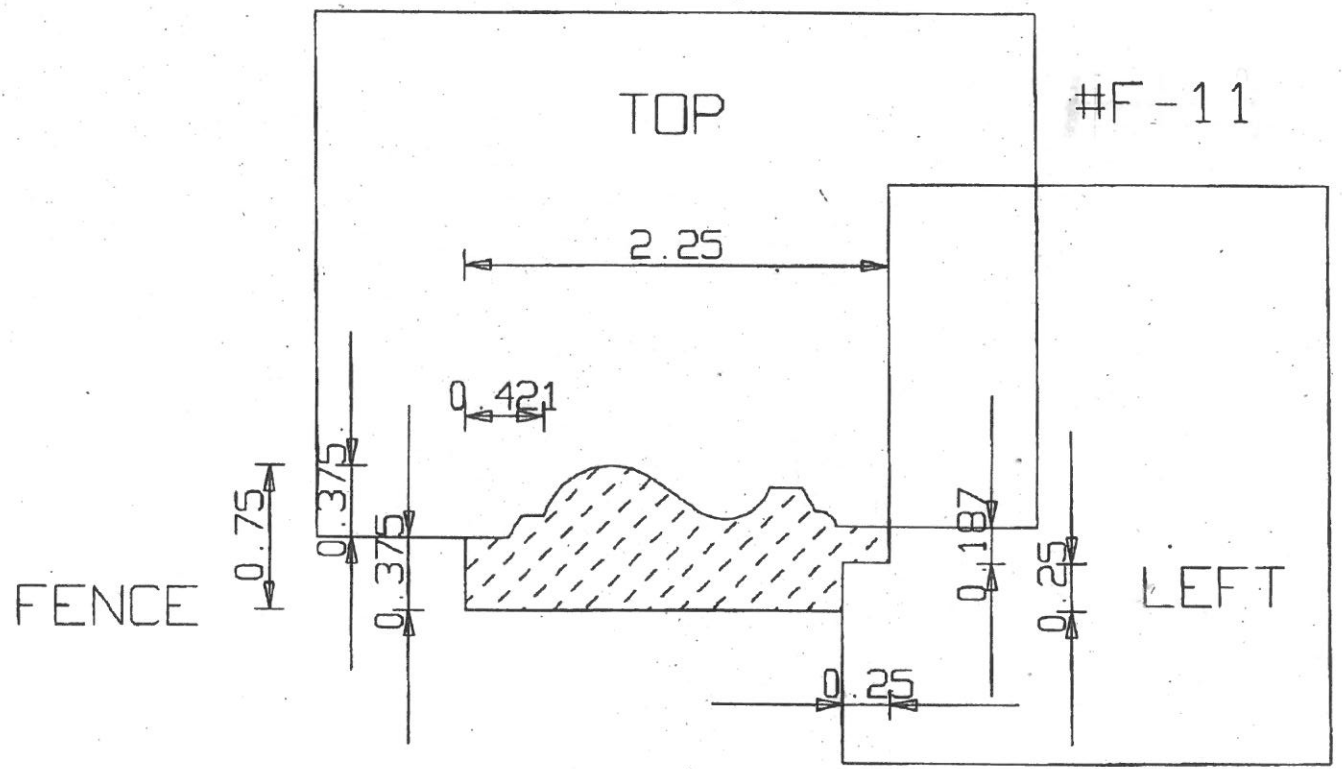


0.125

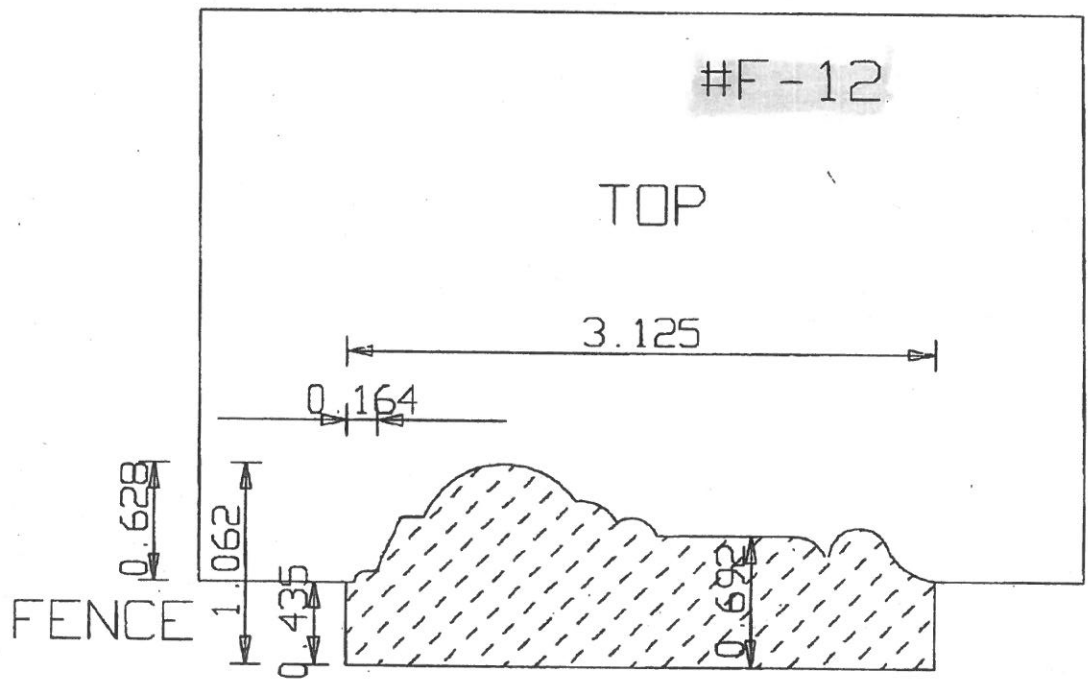
OK



ok

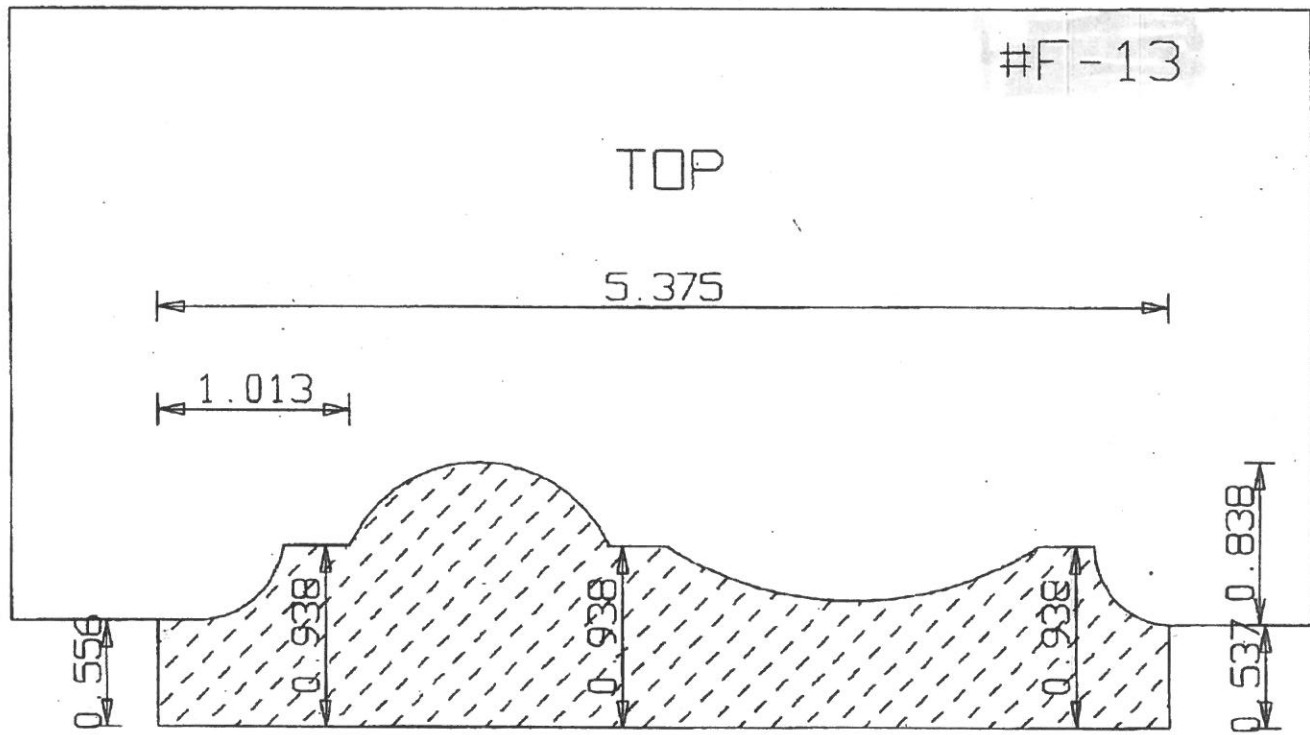


OK



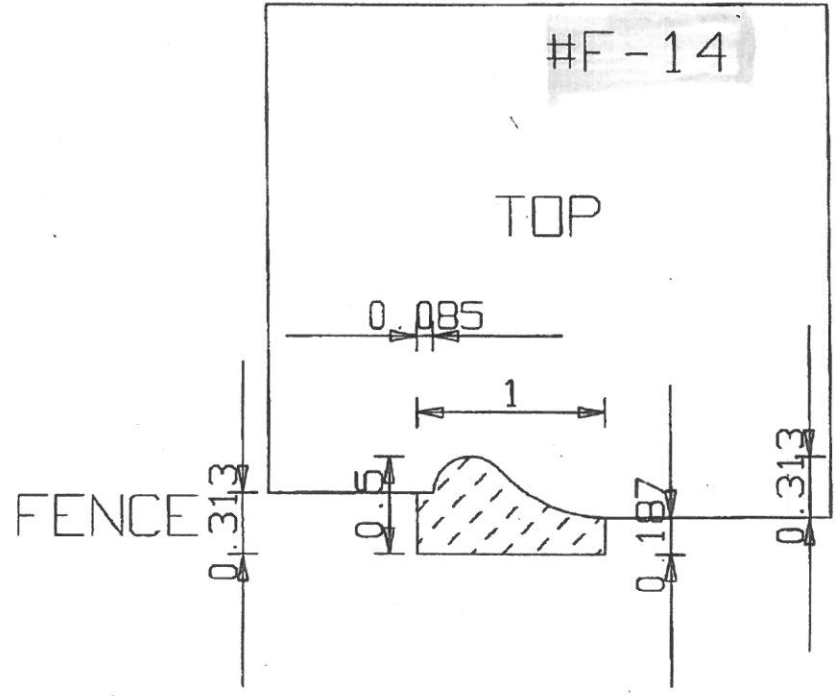
OK

FENCE 1.250

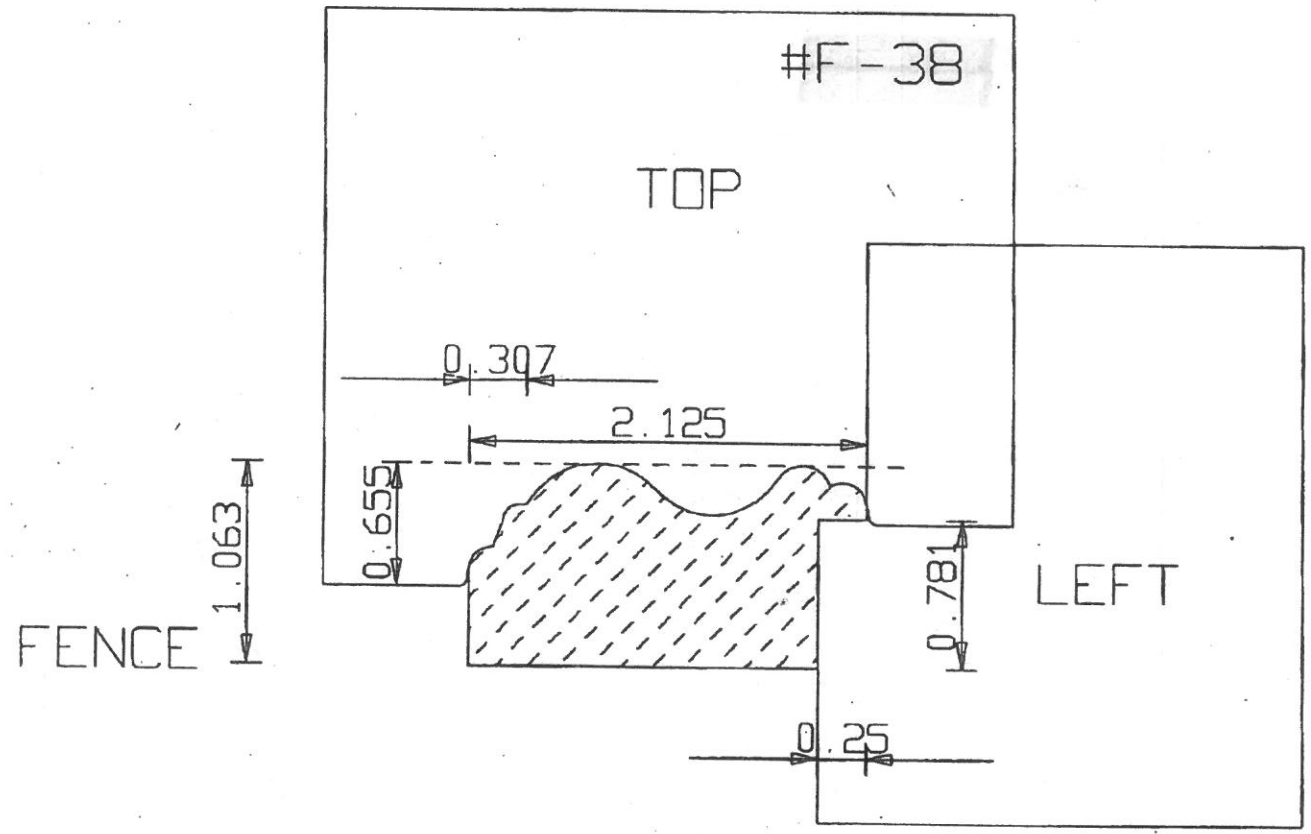


[Handwritten signature]

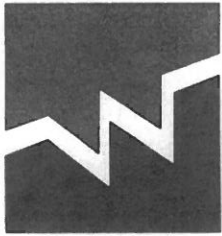
OK



OK



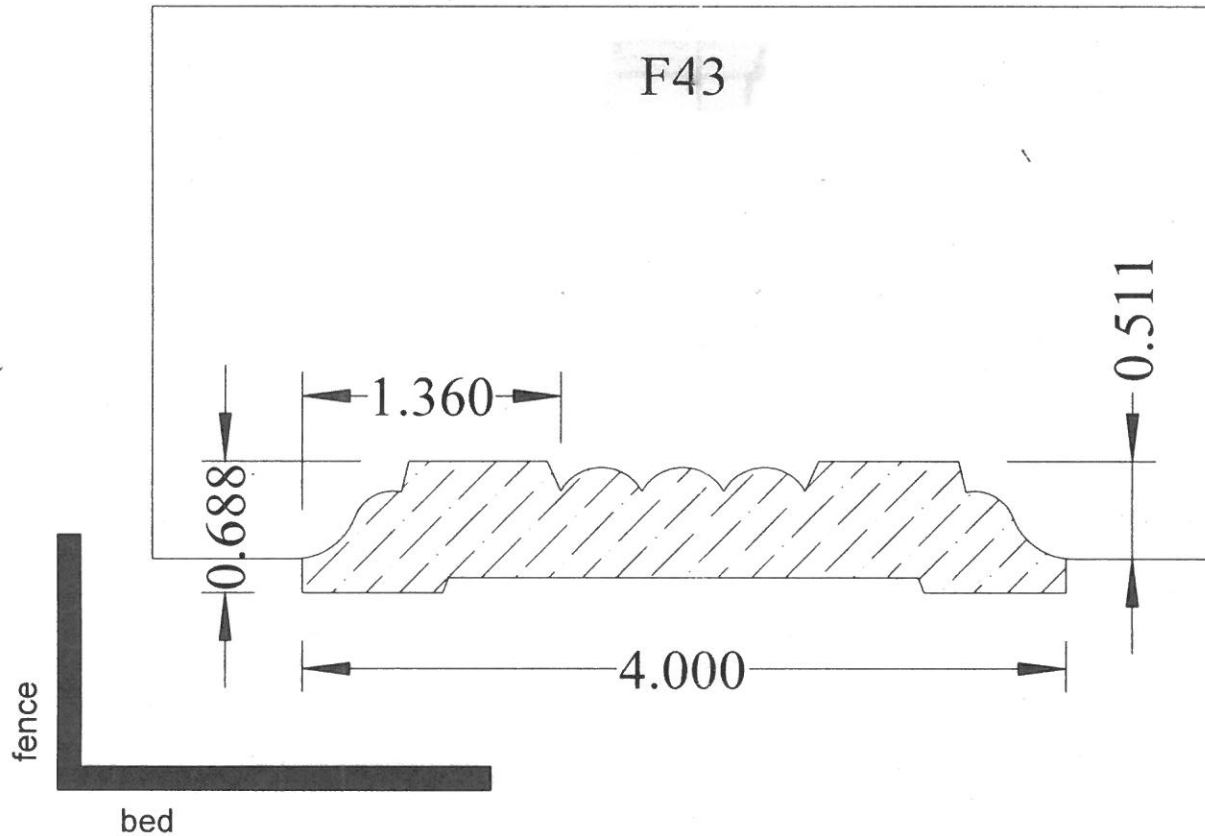
F-11
same
BACK out

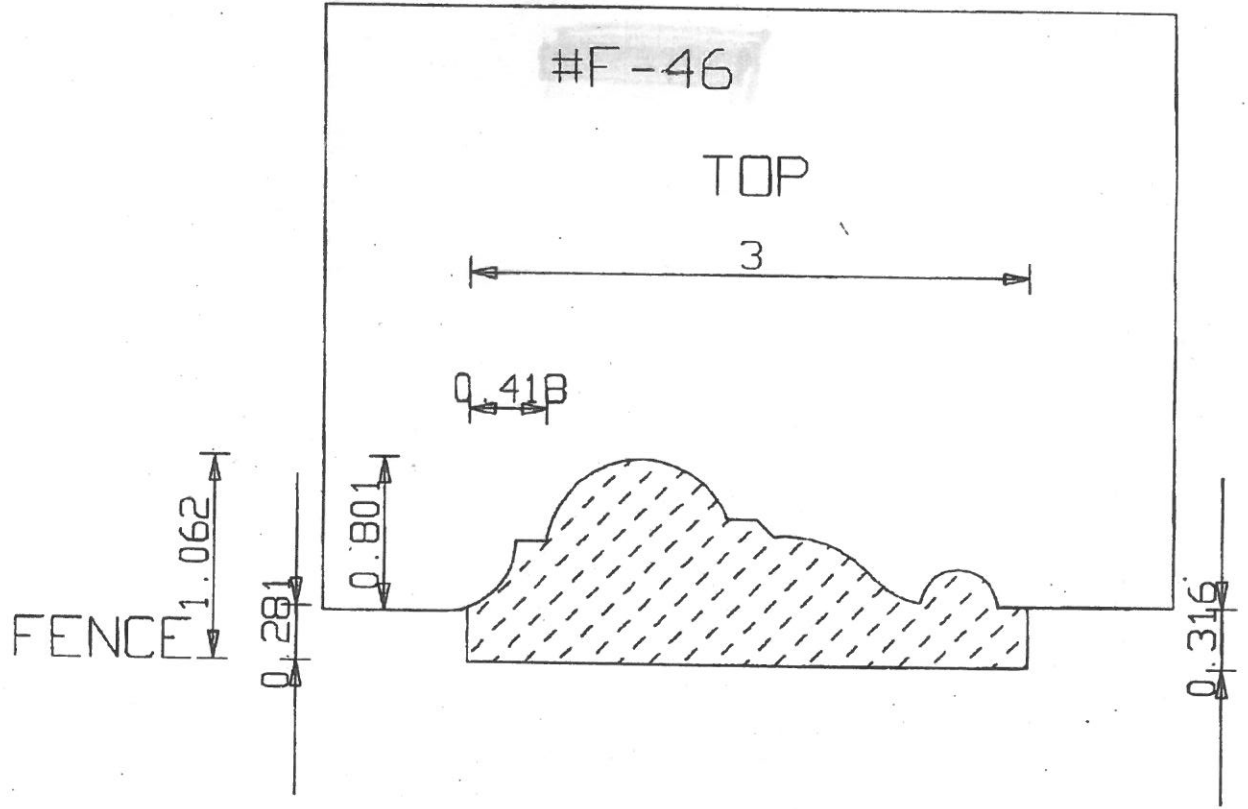


**WEINIG
GROUP**

Services Requested & Material Selection
(circle all that apply)

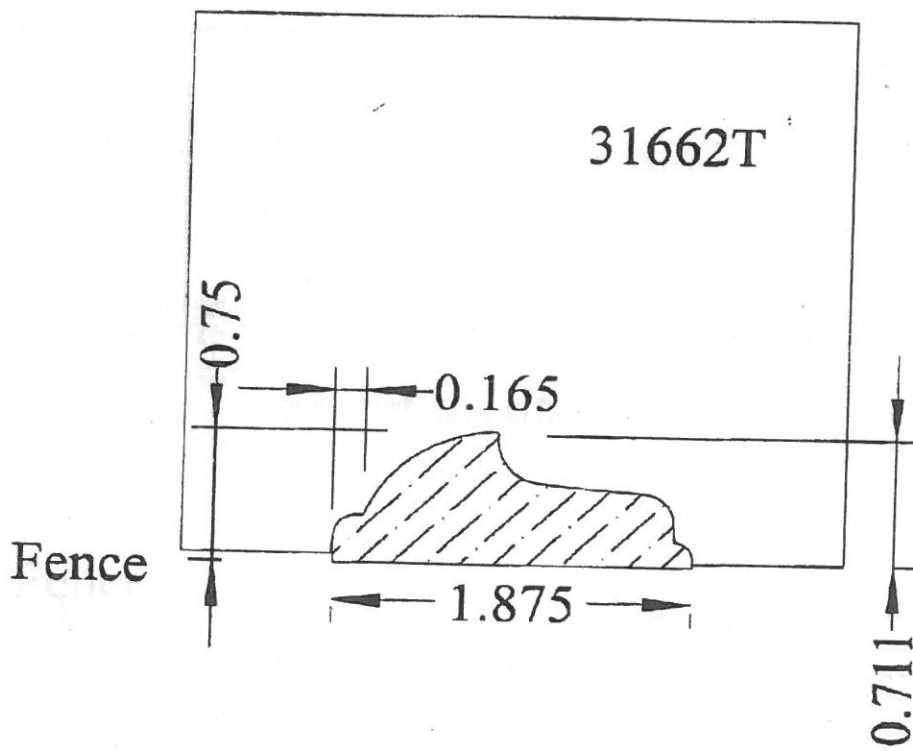
	Finished	Rough
M3+HSS	Double-Back	Supre
TCT Inlaid	Insert	SRS

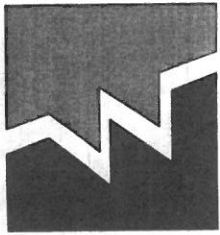




OK

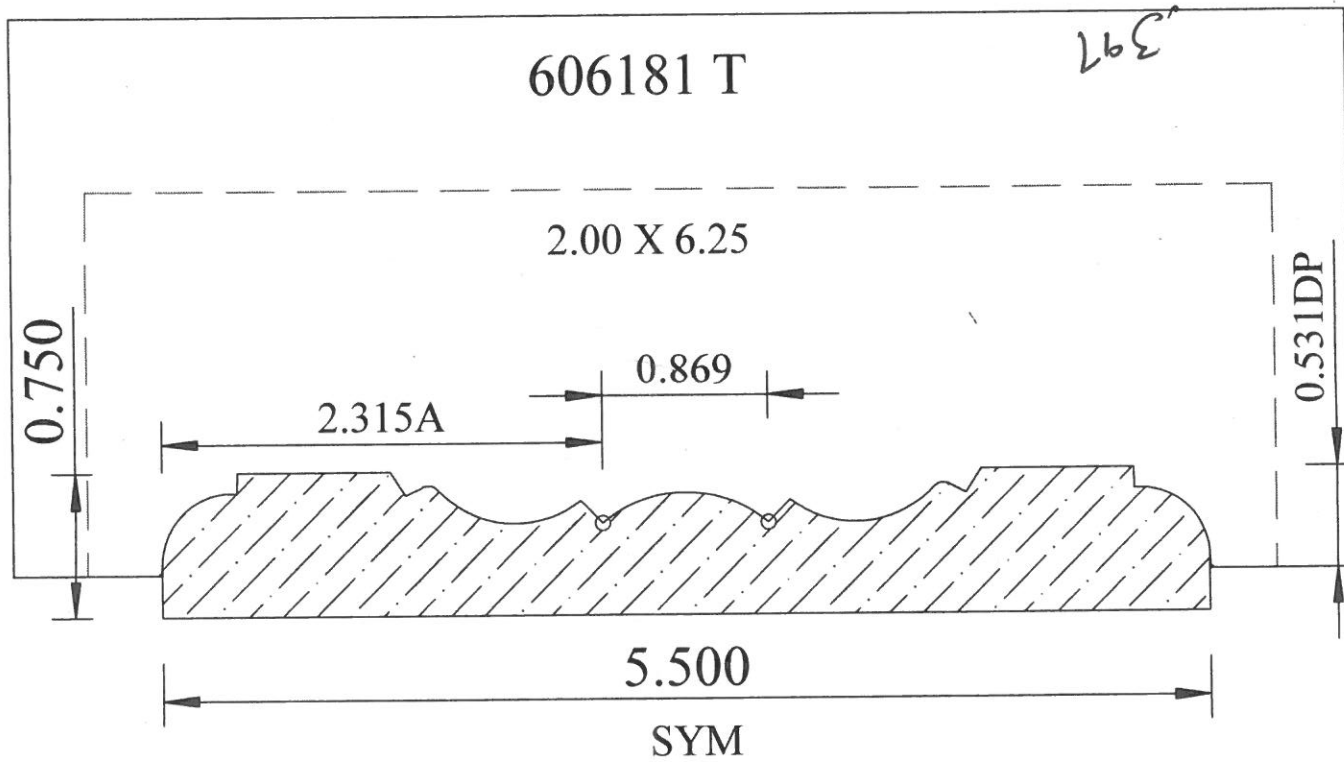
F-74



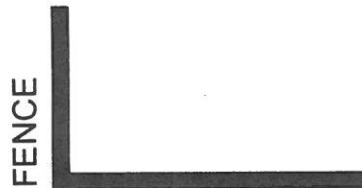


WEINIG

F-53



262



FENCE

BED

VIEW FROM OUTFEED

*Custom for
KIRA VODEN

CLIENT NAME: FILLINGER

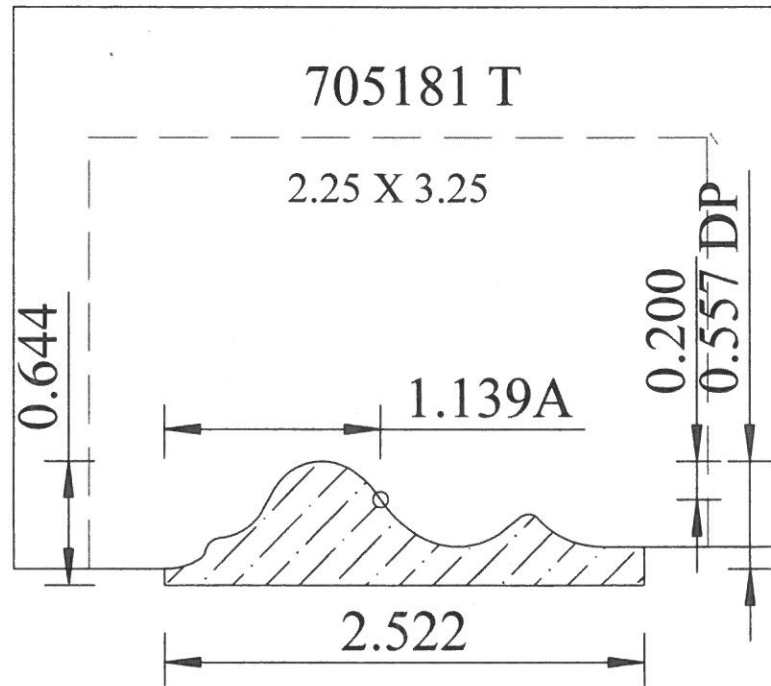
SIGN FOR APPROVALS: X _____ DATE: _____
DRAWN BY: MARIA ALEMAN

THIS DRAWING IS PROPERTY OF WEINIG INC.



F-58

fence
bed
View From Outfeed



*Custom for
Jason Wallace

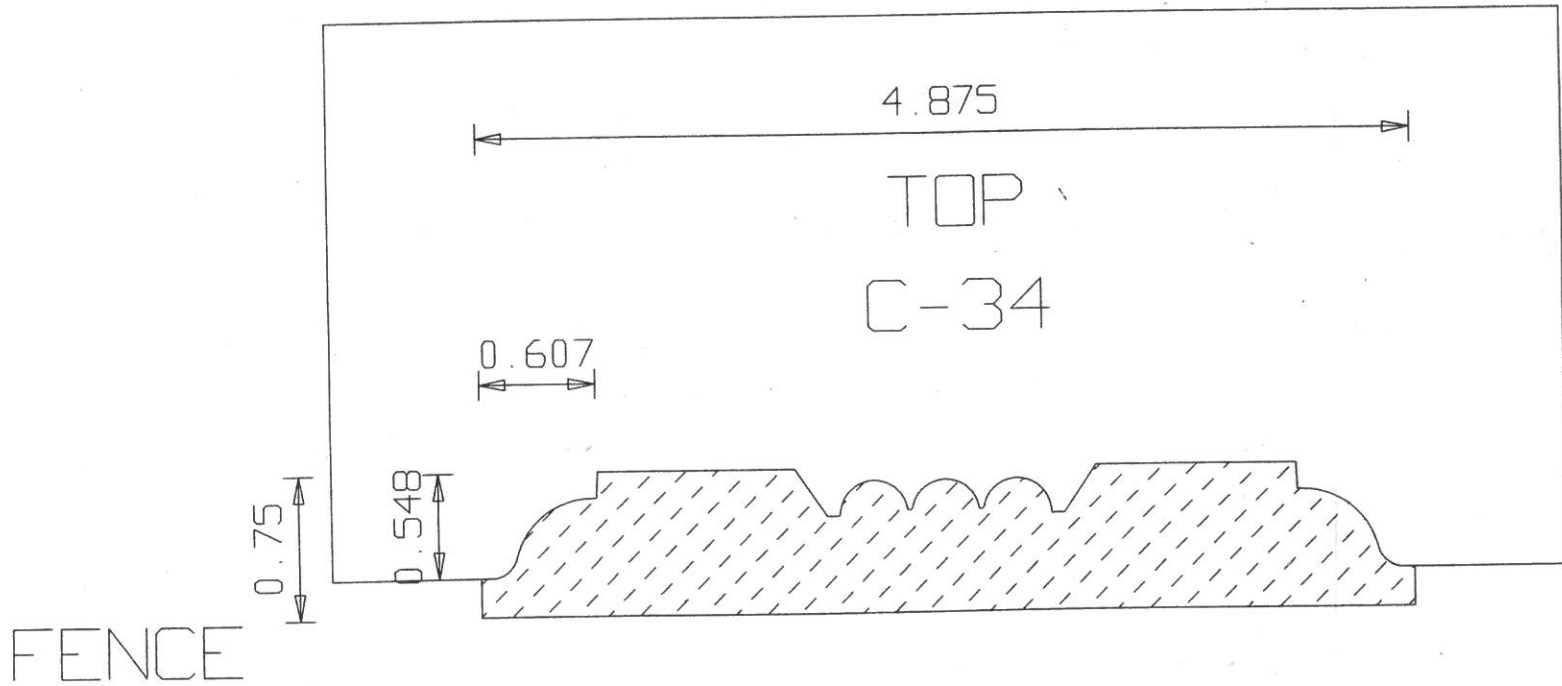
Client Name: FILLINGER

Sign for approvals: X Date: _____
DRAWN BY: "Igor Arsenovich"

THIS DRAWING IS PROPERTY OF WEINIG INC.

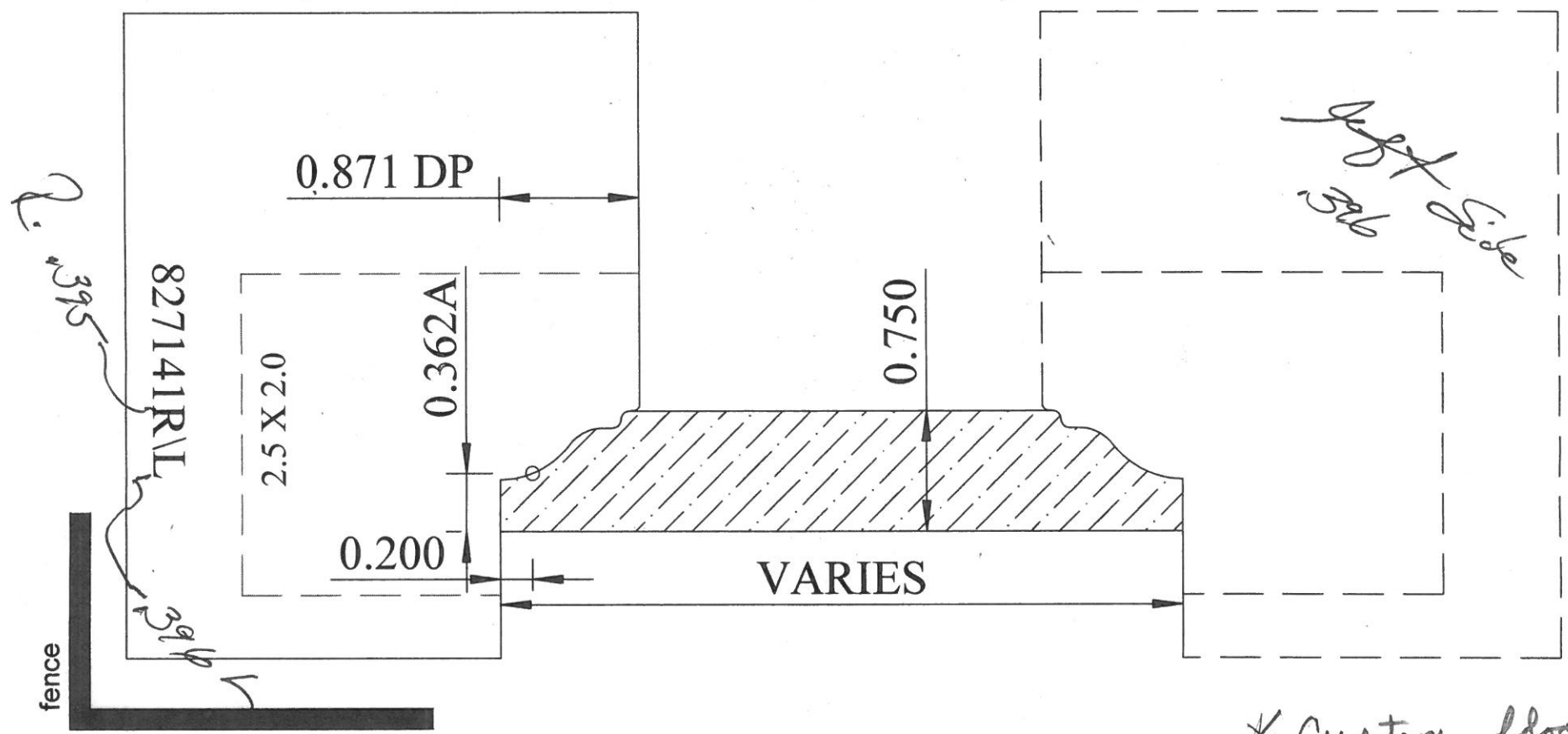
Fillinger

F-69





F.91



View From Outfeed

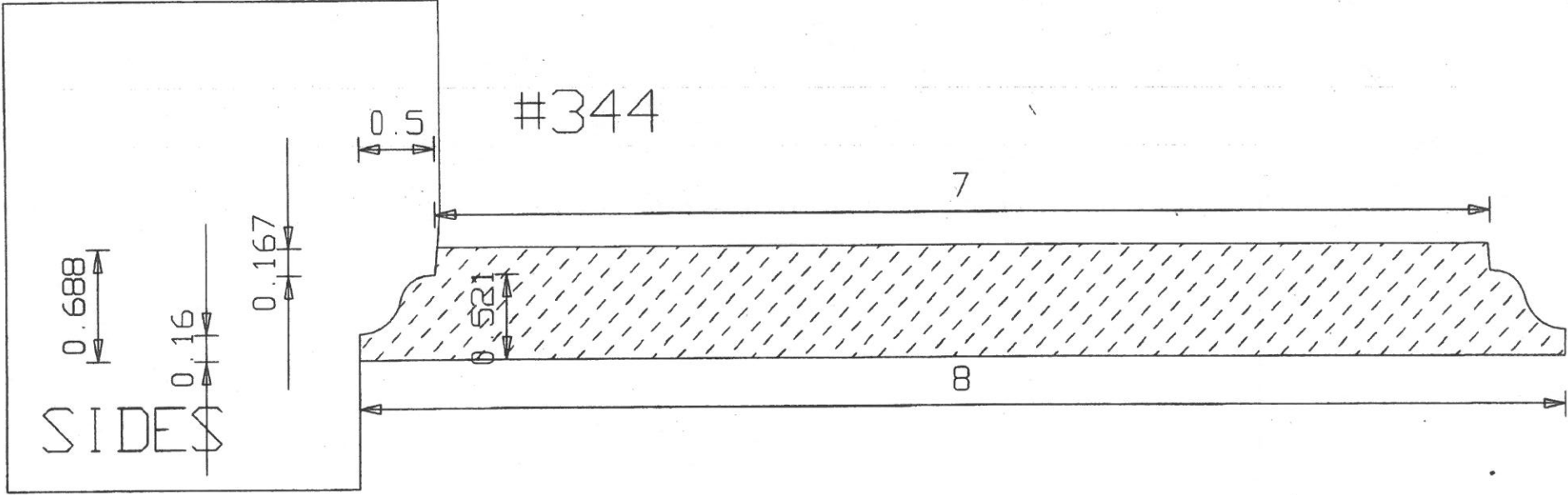
* Custom floor
Custom Ceramics & flooring

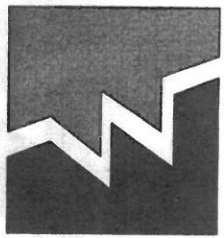
FILLINGER INC
Client Name: _____

Sign for approvals: X Date: _____
DRAWN BY: "Michael Neville"

THIS DRAWING IS PROPERTY OF WEINIG INC.

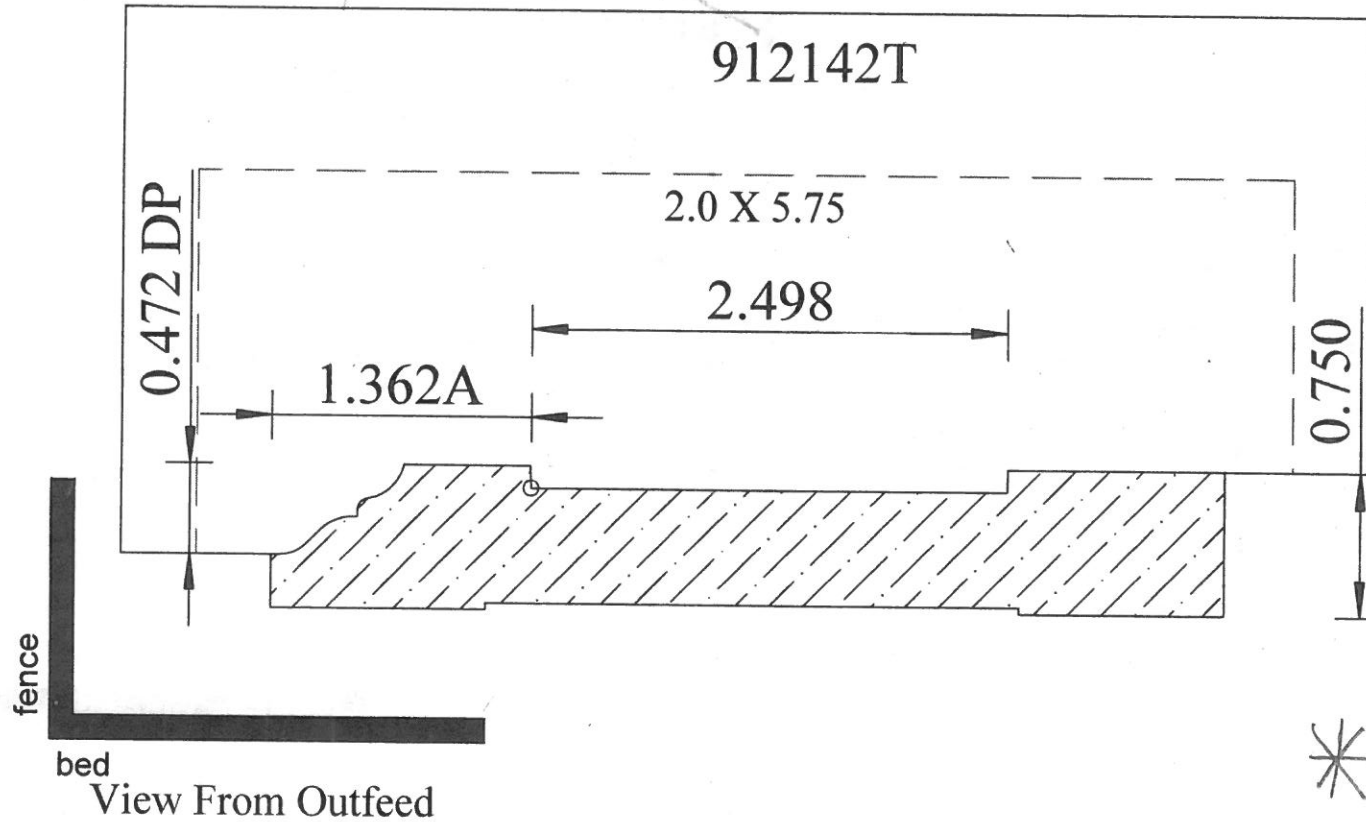
G-64





WEINIG

G-79



* Custom for
Becker.

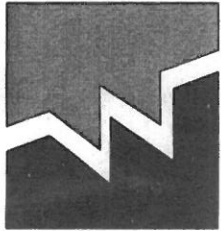
Client Name: FILLINGER INC

Sign for approvals: X

DRAWN BY: "Michael Neville"

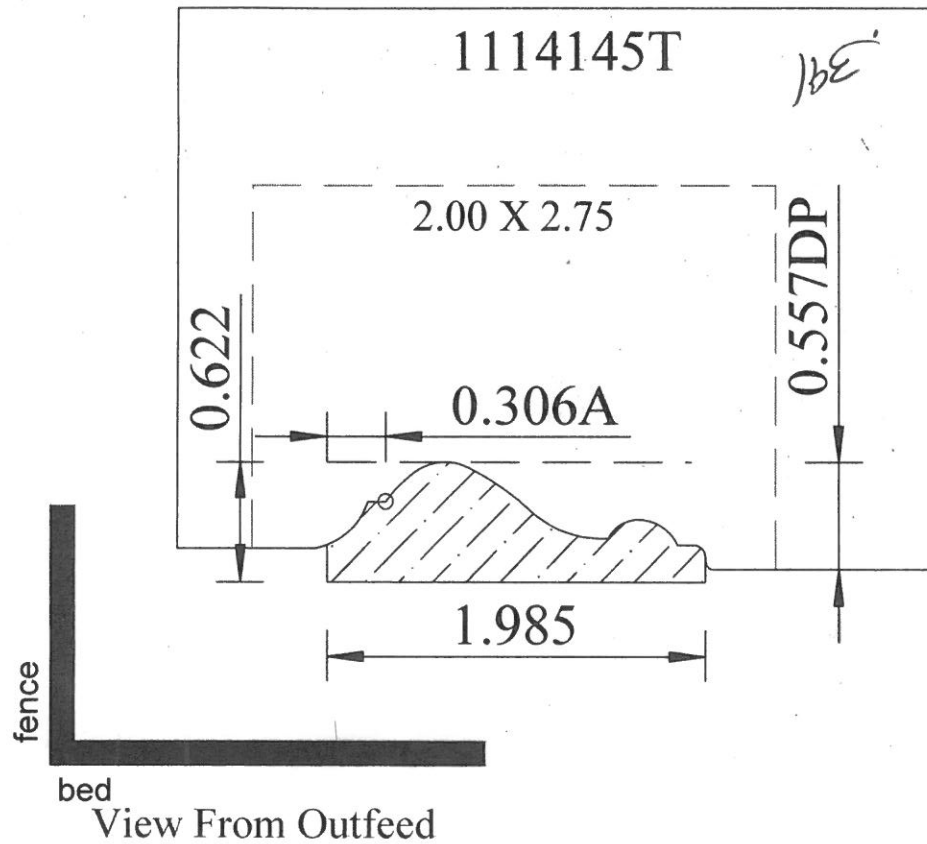
Date: _____

THIS DRAWING IS PROPERTY OF WEINIG INC.



WEINIG

G-83



CLIENT NAME: FILLINGER

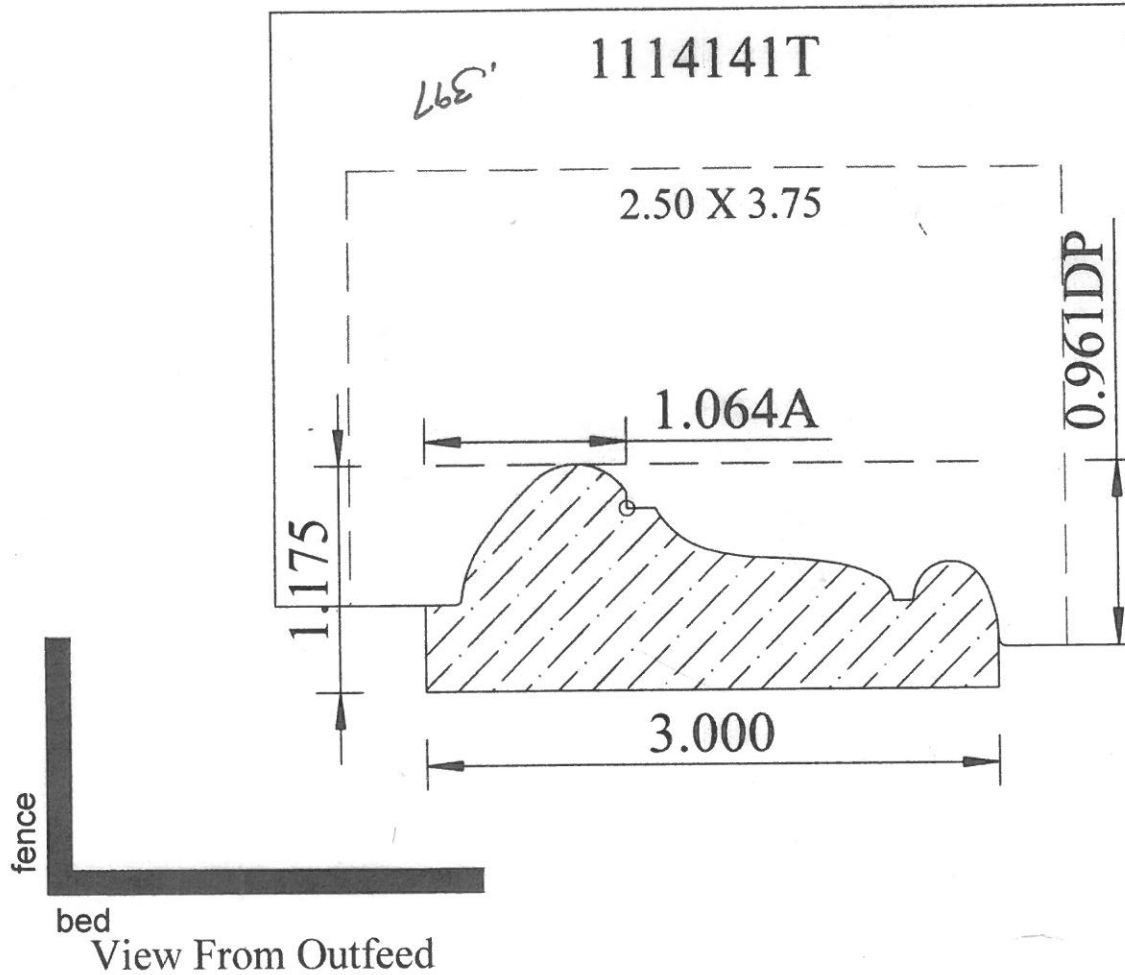
SIGN FOR APPROVALS: X _____
DRAWN BY: MARIA ALEMAN

DATE: _____

THIS DRAWING IS PROPERTY OF WEINIG INC.



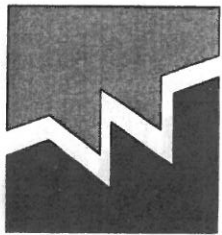
G-85



CLIENT NAME: FILLINGER

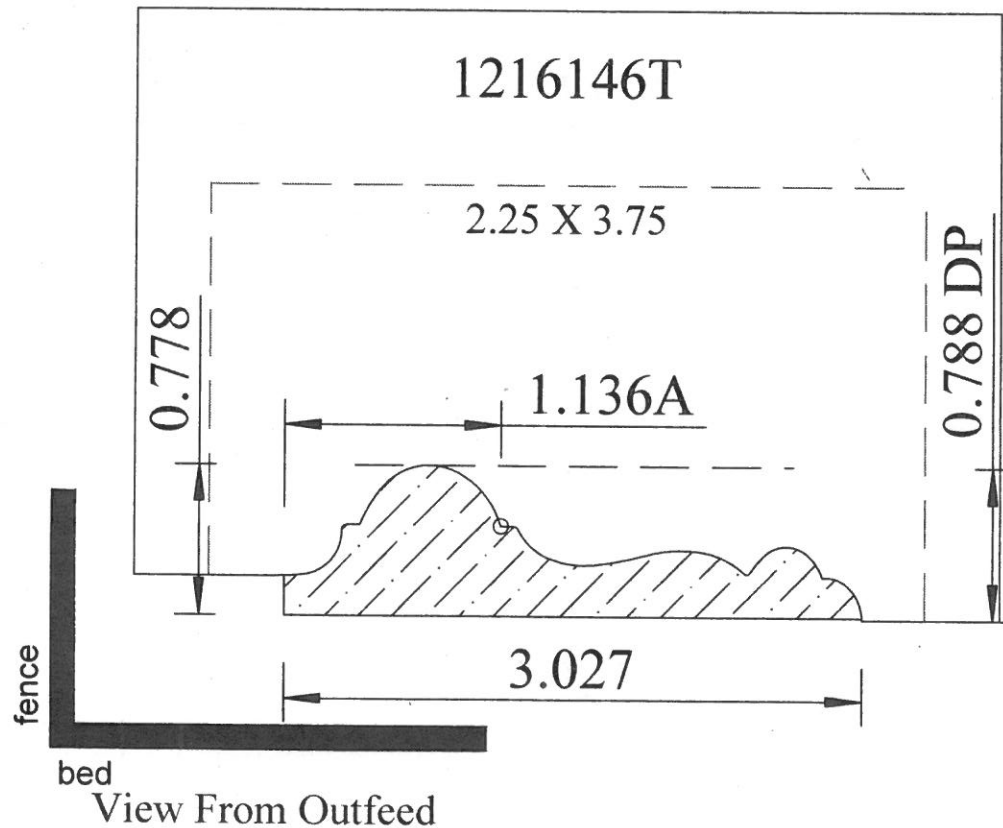
SIGN FOR APPROVALS: X _____ DATE: _____
DRAWN BY: MARIA ALEMAN

THIS DRAWING IS PROPERTY OF WEINIG INC.



WEINIG

G-91



* Custom for
KLEIBER Const.

Client Name: FILLINGER INC

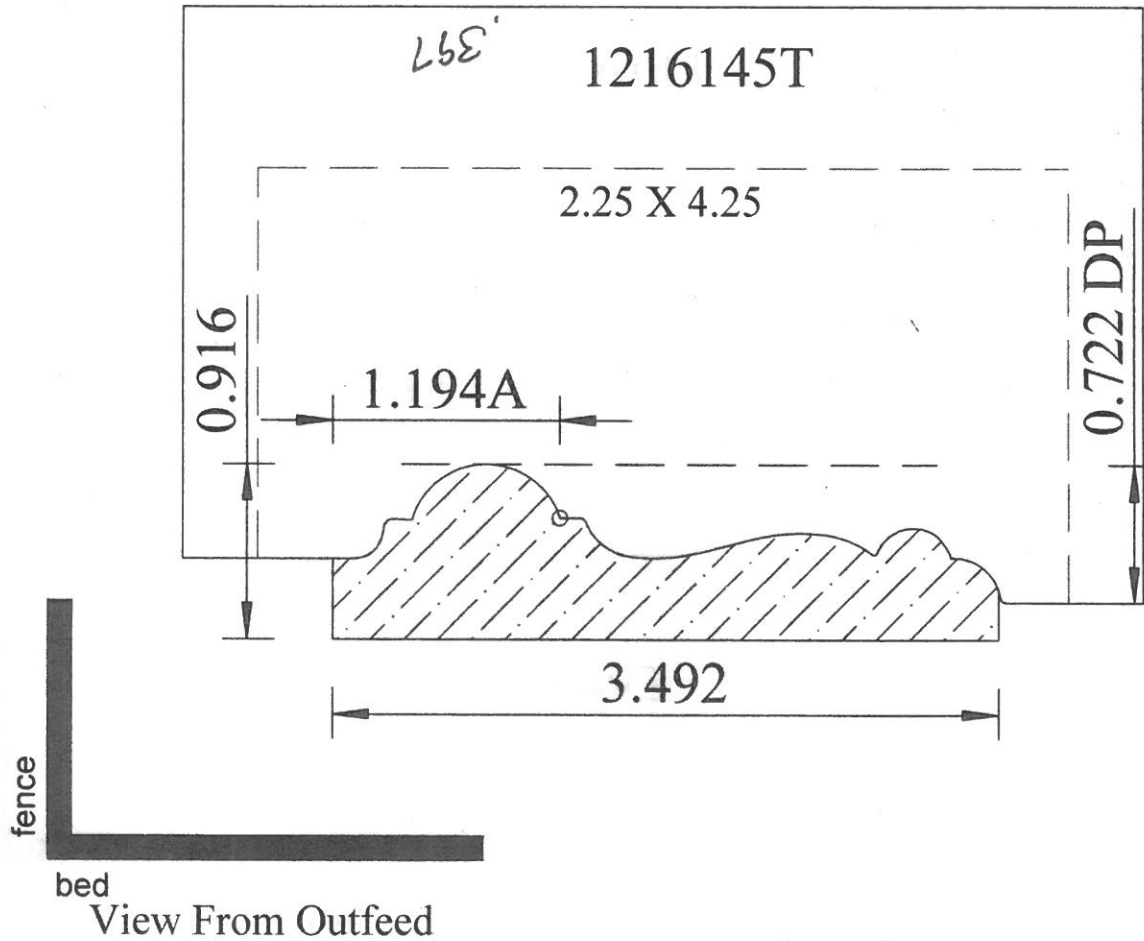
Sign for approvals: X
DRAWN BY: "Michael Neville"

Date: _____

THIS DRAWING IS PROPERTY OF WEINIG INC.



G-92



*Custom for Kleiber Cons

Client Name: FILLINGER INC

Sign for approvals: X

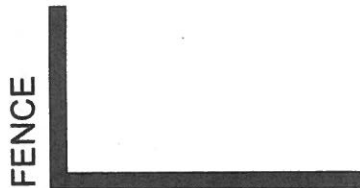
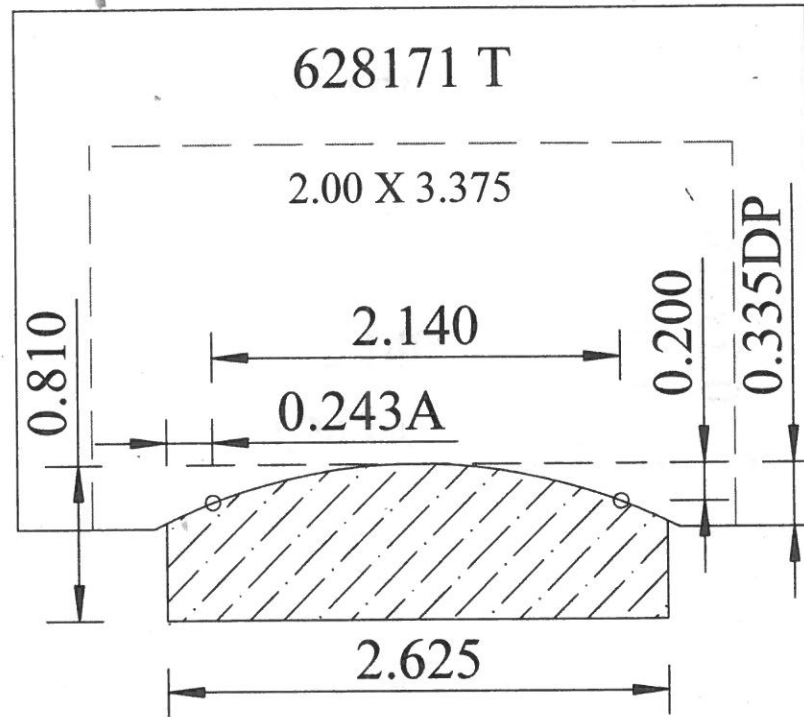
DRAWN BY: "Michael Neville"

Date: _____

THIS DRAWING IS PROPERTY OF WEINIG INC.



H-74



FENCE

BED

VIEW FROM OUTFEED

THIS DRAWING IS PROPERTY OF WEINIG INC.

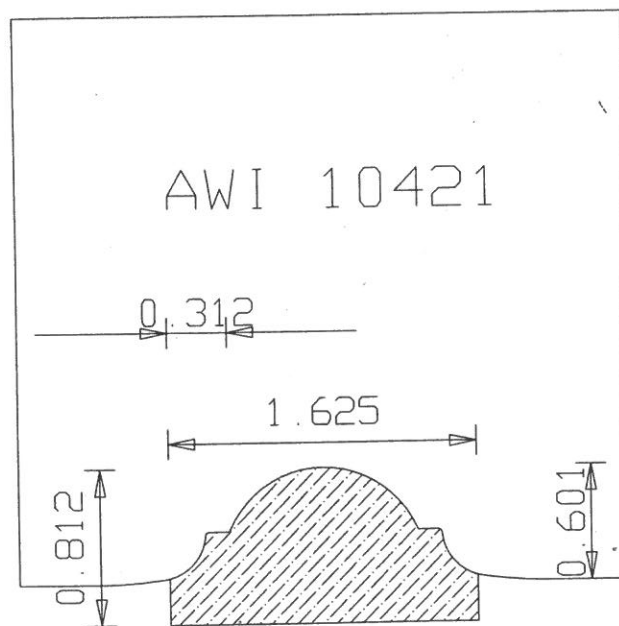
* Custom for
PAUL CRANDALL
& ASSOCIATE

CLIENT NAME: FILLINGER

SIGN FOR APPROVALS: X
DRAWN BY: MARIA ALEMAN

DATE: _____

I-43

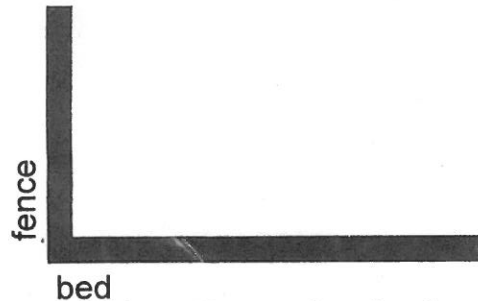
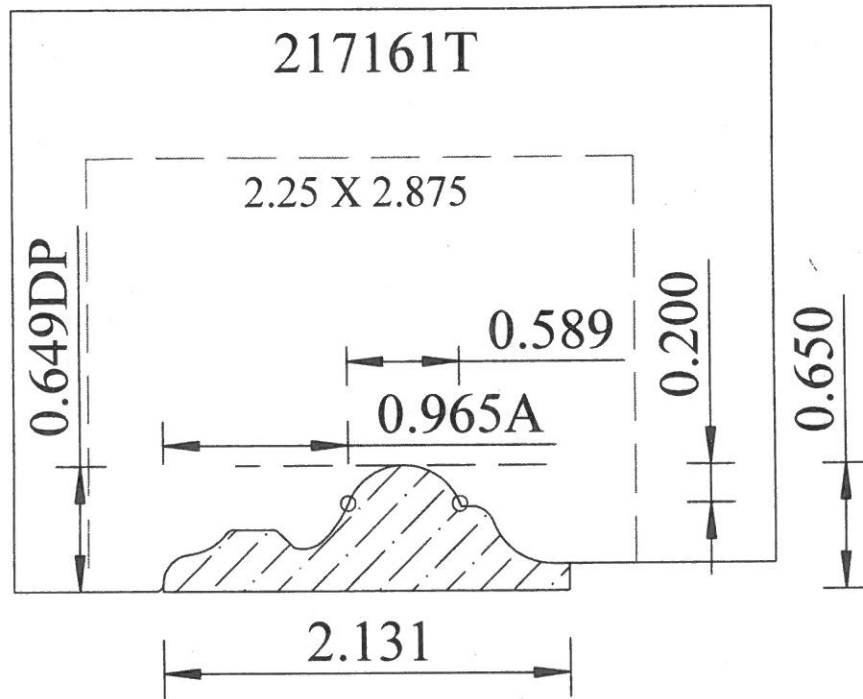


270



WEINIG

I-64



View From Outfeed

* Custom for Steve Peterma

CLIENT NAME: FILLINGER

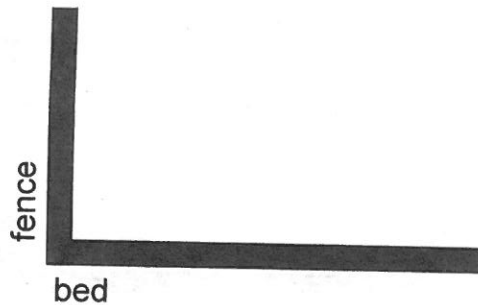
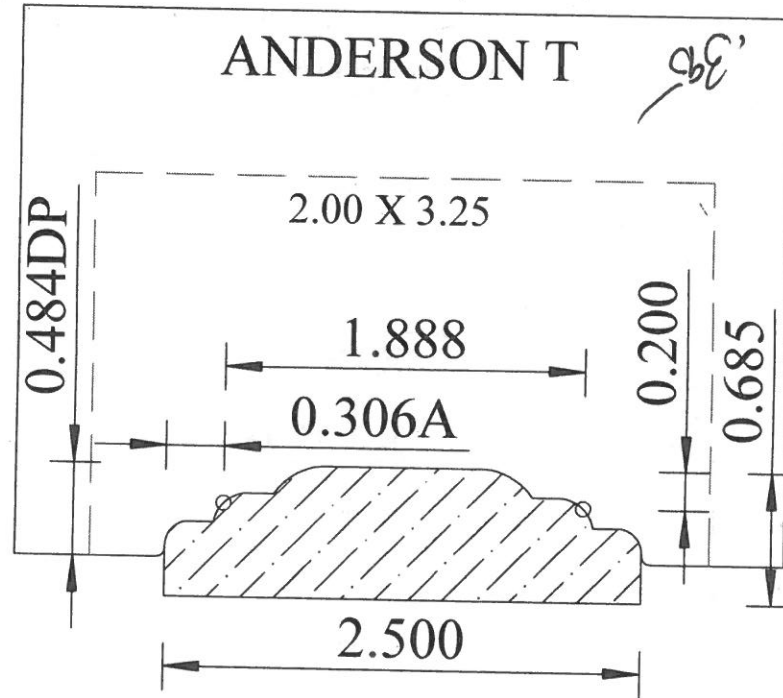
SIGN FOR APPROVALS: X _____ DATE: _____
DRAWN BY: MARIA ALEMAN

THIS DRAWING IS PROPERTY OF WEINIG INC.



WEINIG

I-70



View From Outfeed

* Custom for Tom Anderson

CLIENT NAME: FILLINGER

SIGN FOR APPROVALS: X _____
DRAWN BY: MARIA ALEMAN

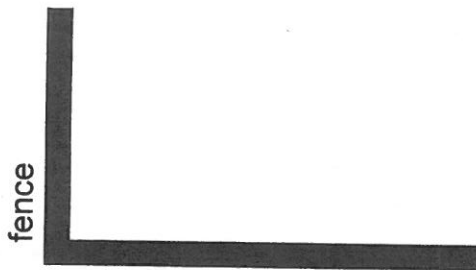
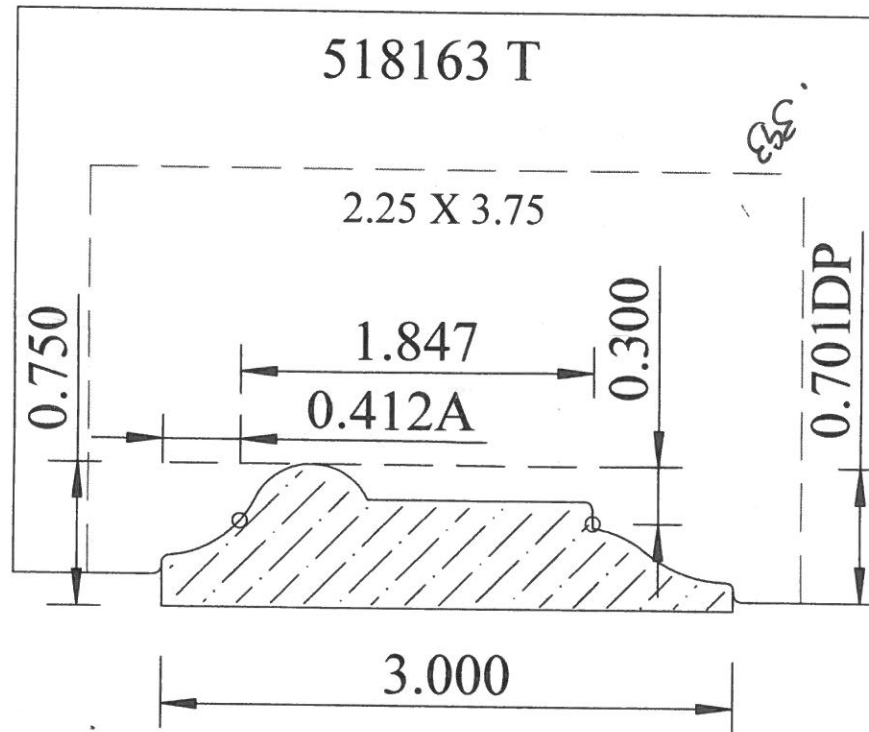
DATE: _____

THIS DRAWING IS PROPERTY OF WEINIG INC.



WEINIG

I-73



fence

bed

View From Outfeed

* Custom for
J. A & Company

Gunn Resider

CLIENT NAME: FILLINGER

SIGN FOR APPROVALS: X _____

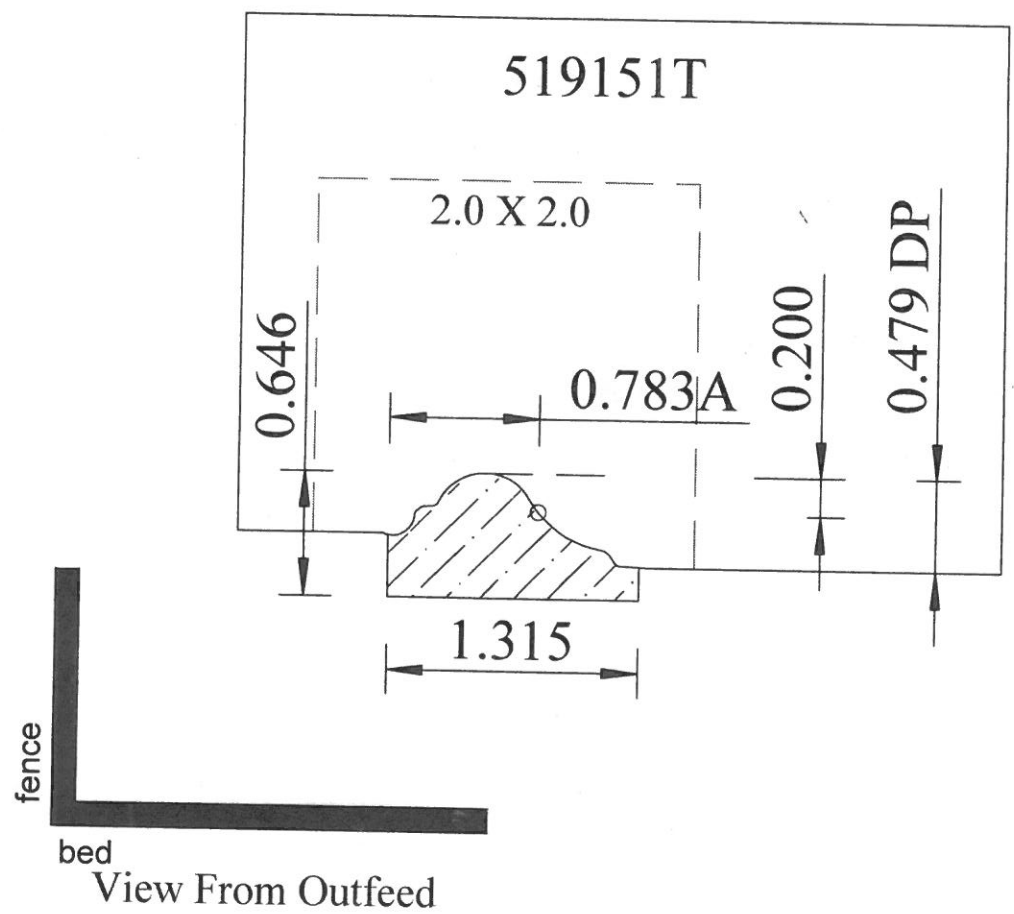
DRAWN BY: MARIA ALEMAN

DATE: _____

THIS DRAWING IS PROPERTY OF WEINIG INC.



I-81



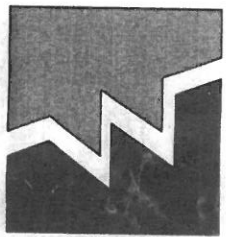
* Custom for
W.M. Zachow
& Son

Client Name: FILLINGER INC

Sign for approvals: X
DRAWN BY: "Michael Neville"

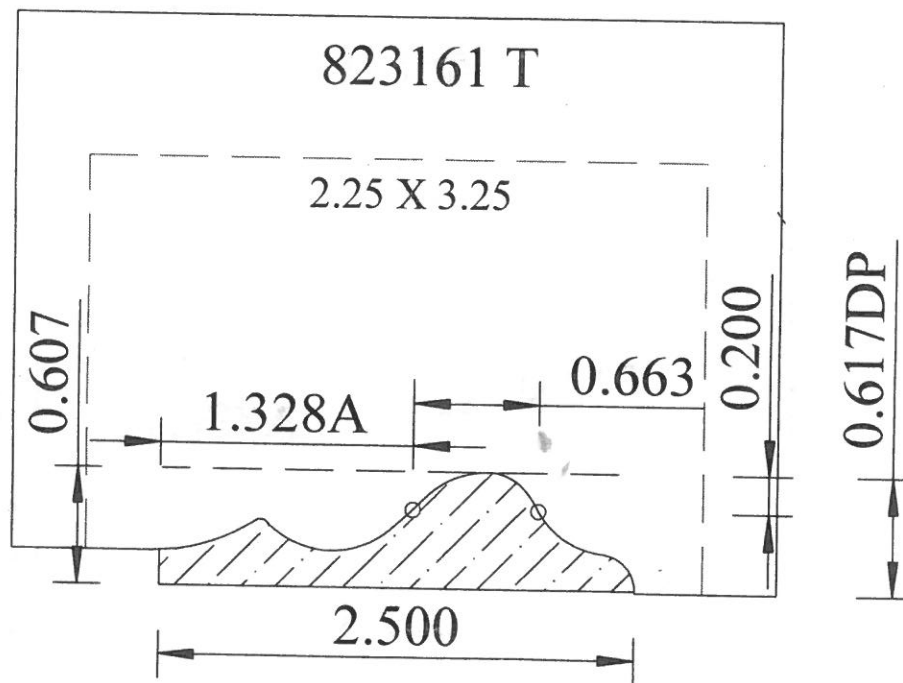
Date: _____

THIS DRAWING IS PROPERTY OF WEINIG INC.

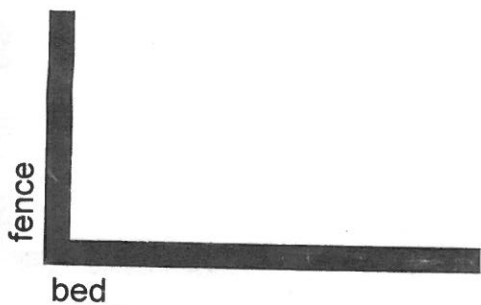


WEINIG

J-70



*Custom for
Refined Renouatio



fence

bed

View From Outfeed

THIS DRAWING IS PROPERTY OF WEINIG INC.

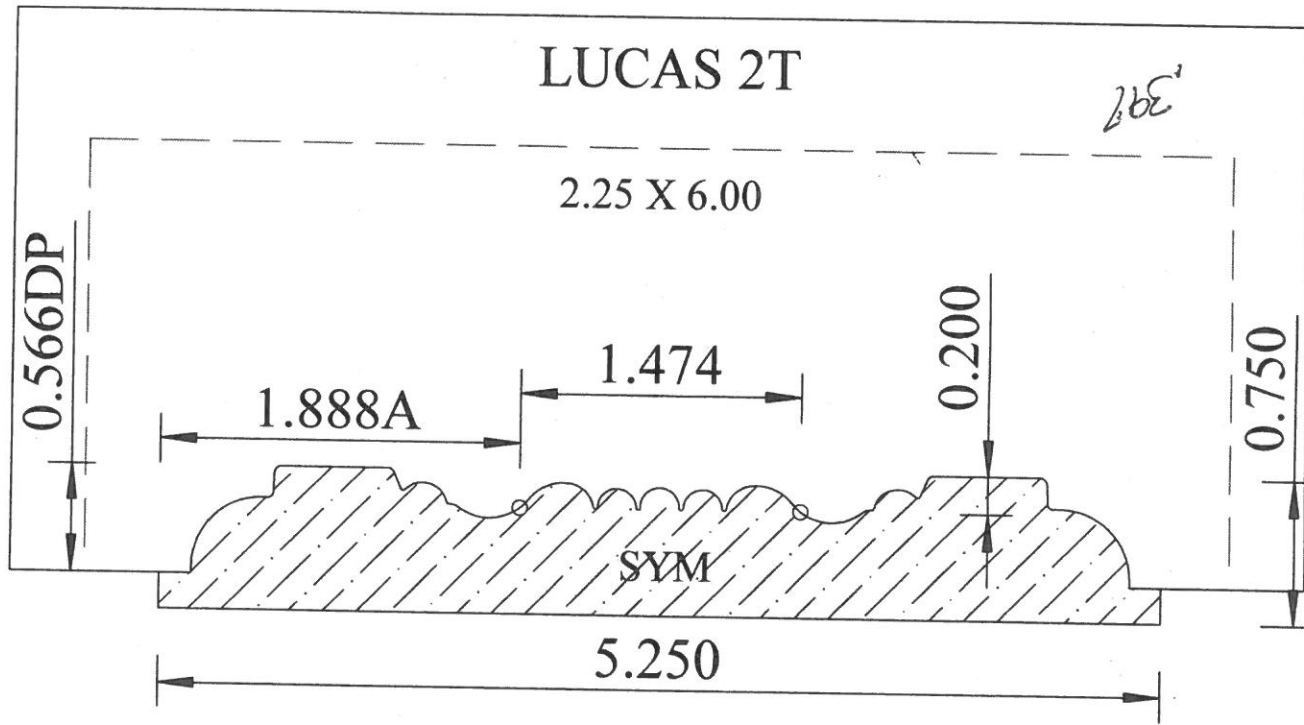
CLIENT NAME: FILLINGER

SIGN FOR APPROVALS: X _____
DRAWN BY: MARIA ALEMAN

DATE: _____



J-89



View From Outfeed

* Custom for Paula Lucas

CLIENT NAME: FILLINGER

SIGN FOR APPROVALS: X
DRAWN BY: MARIA ALEMAN

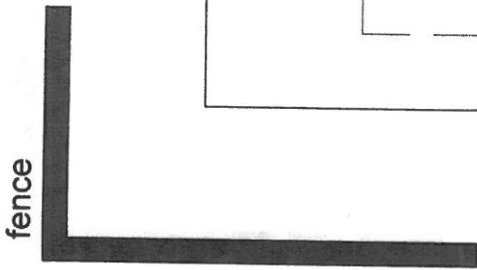
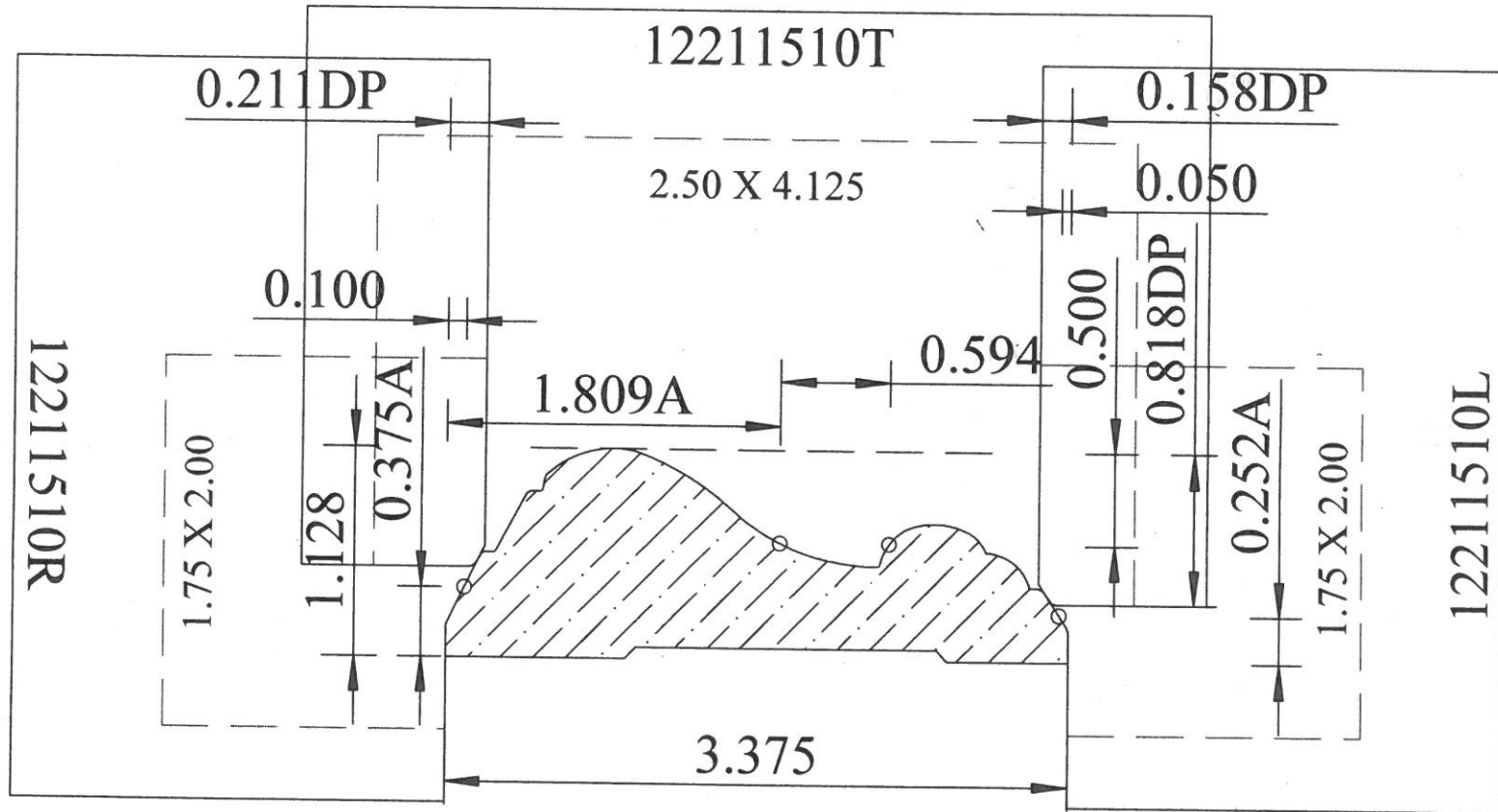
DATE: _____

THIS DRAWING IS PROPERTY OF WEINIG INC.



J-94

Profile L



fence
bed

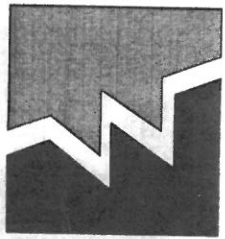
View From Outfeed

THIS DRAWING IS PROPERTY OF WEINIG INC.

*Custom for
Jim Construct

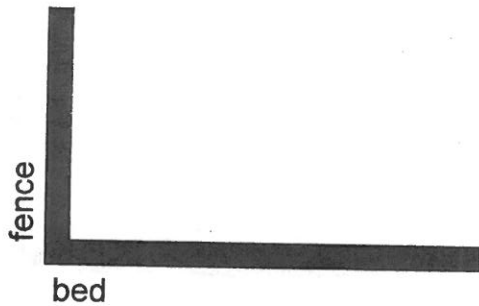
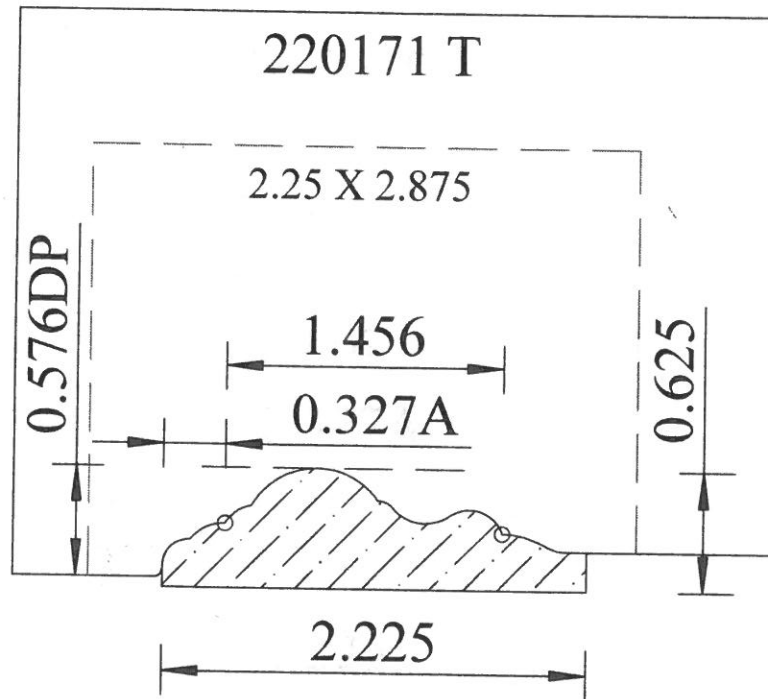
CLIENT NAME: FILLINGER (Bullman Residence)

SIGN FOR APPROVALS: X _____ DATE: _____
DRAWN BY: MARIA ALEMAN



WEINIG

L-73



View From Outfeed

THIS DRAWING IS PROPERTY OF WEINIG INC.

*Custom for
Ted SCHAAR

CLIENT NAME: FILLINGER

SIGN FOR APPROVALS: X _____ DATE: _____
DRAWN BY: MARIA ALEMAN