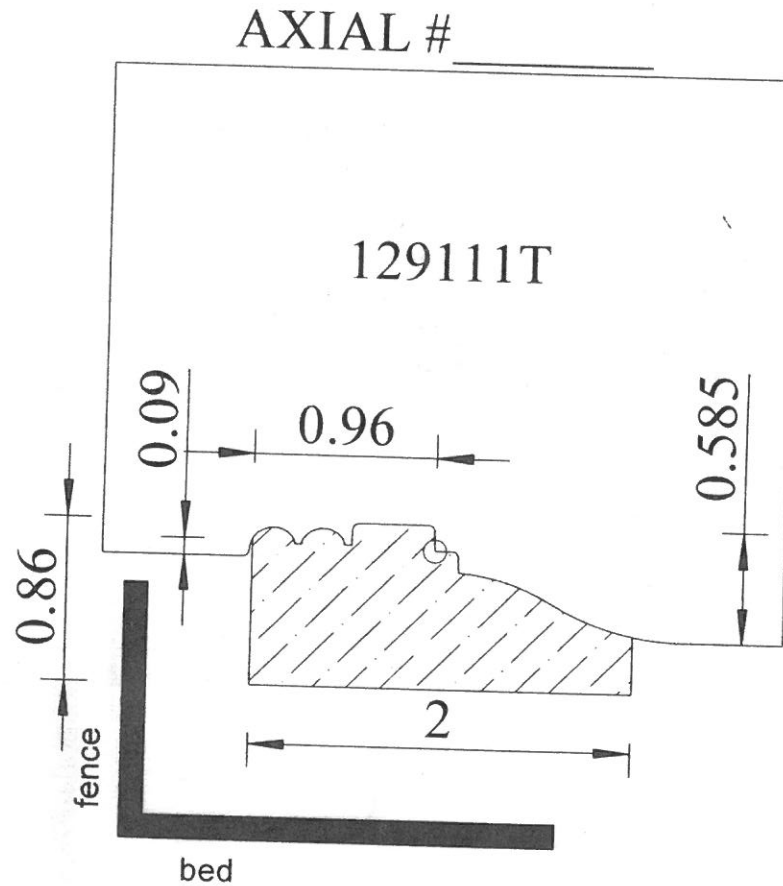




Services Requested & Material Selection
(circle all that apply)

	Finished	Rough
M3+HSS	Double-Back	Supre
TCT Inlaid	Insert	SRS

A-63



WALDORF
Custom

Michael Weinig, Inc
124 Crosslake Park Drive
Mooresville, NC 28117

Sign for approval or make changes: X
DRAWN BY: Jason Lloyd

Thank you

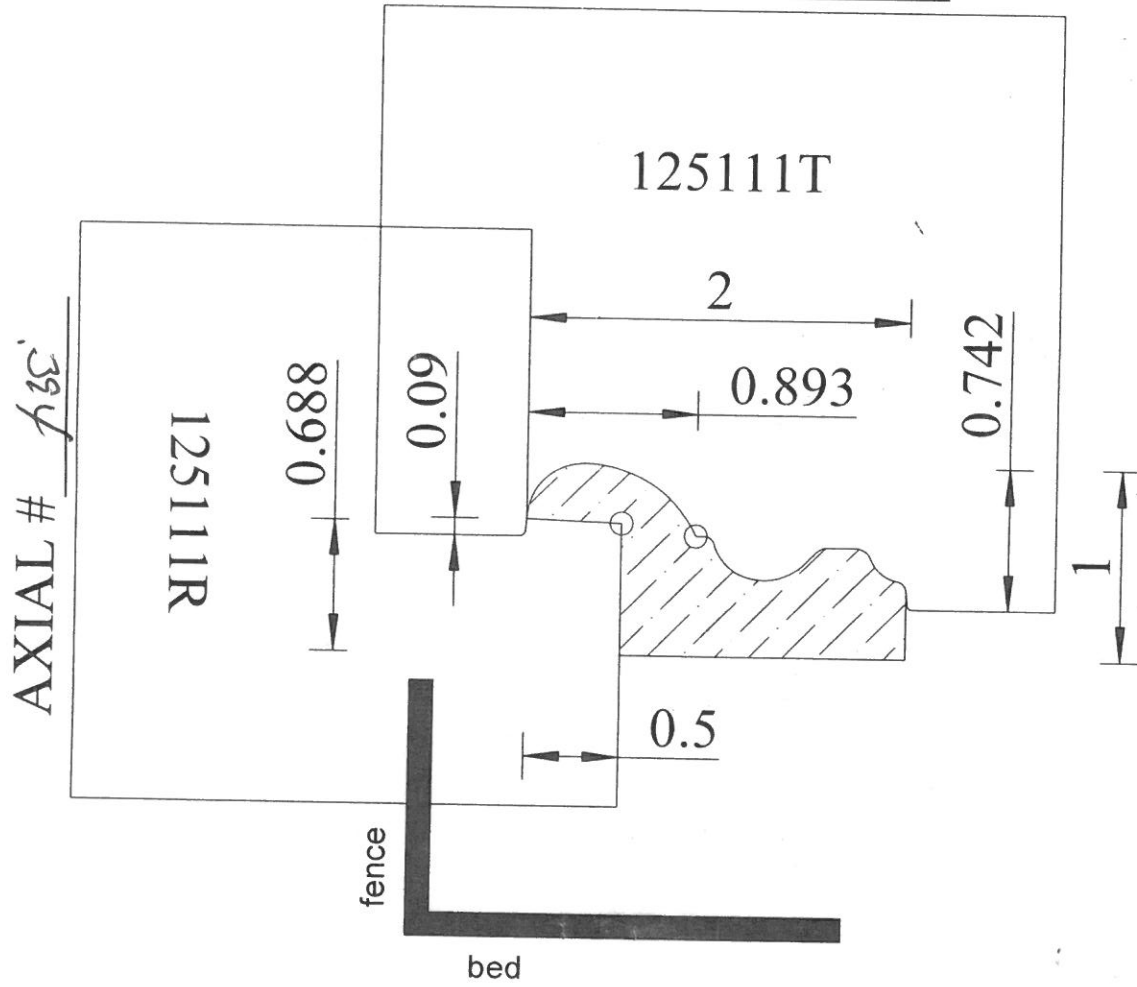


Services Requested & Material Selection
(circle all that apply)

	Finished	Rough
M3+HSS	Double-Back	Supre
TCT Inlaid	Insert	SRS

AXIAL # .392

A-65



Michael Weing, Inc
124 Crosslake Park Drive
Mooreville, NC 28117

Sign for approval or make changes: X
DRAWN BY: Jason Lloyd

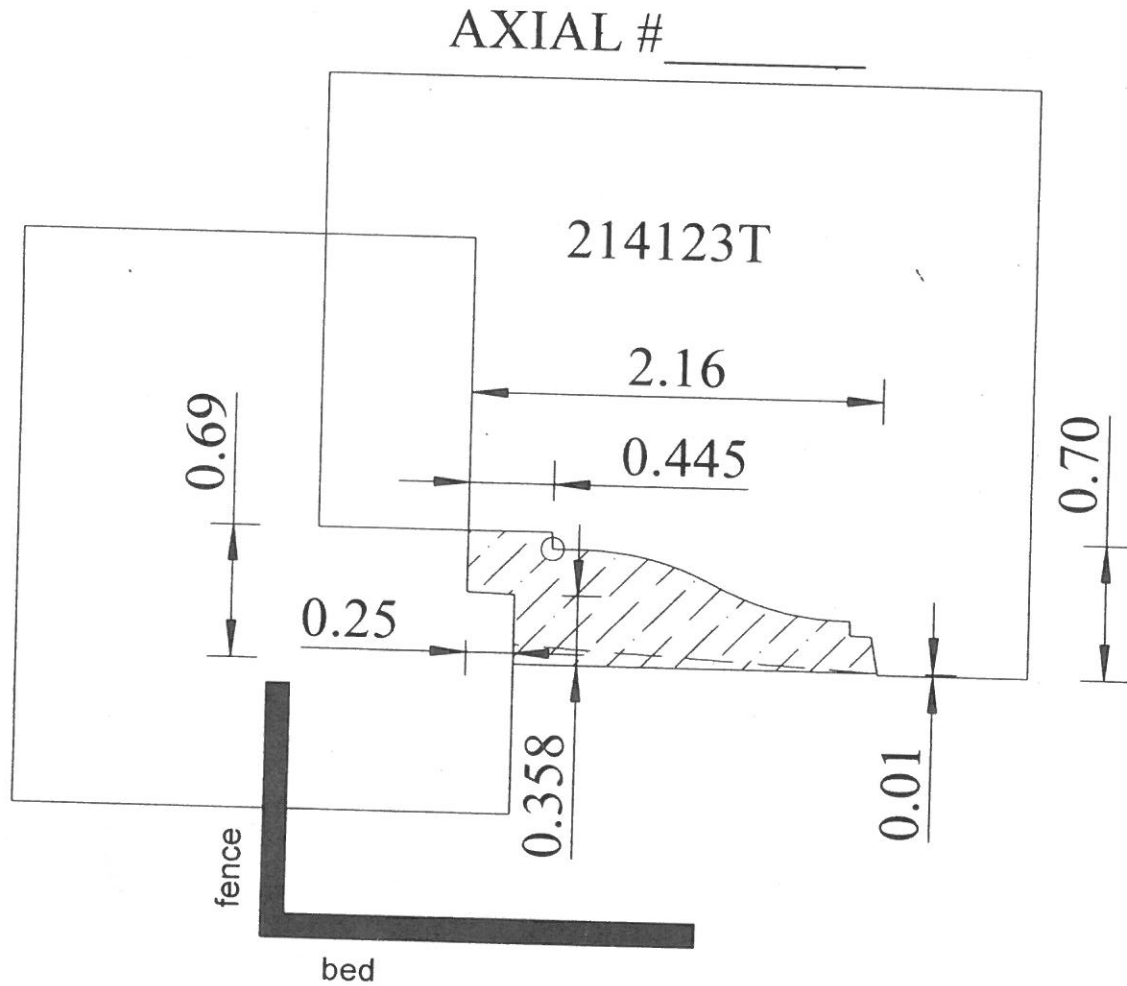
Thank you



Services Requested & Material Selection
(circle all that apply)

	Finished	Rough
M3+HSS	Double-Back	Supre
TCT Inlaid	Insert	SRS

A-70



Michael Weinig, Inc
124 Crosslake Park Drive
 Mooresville, NC 28117

Sign for approval or make changes: X
DRAWN BY: Jason Lloyd

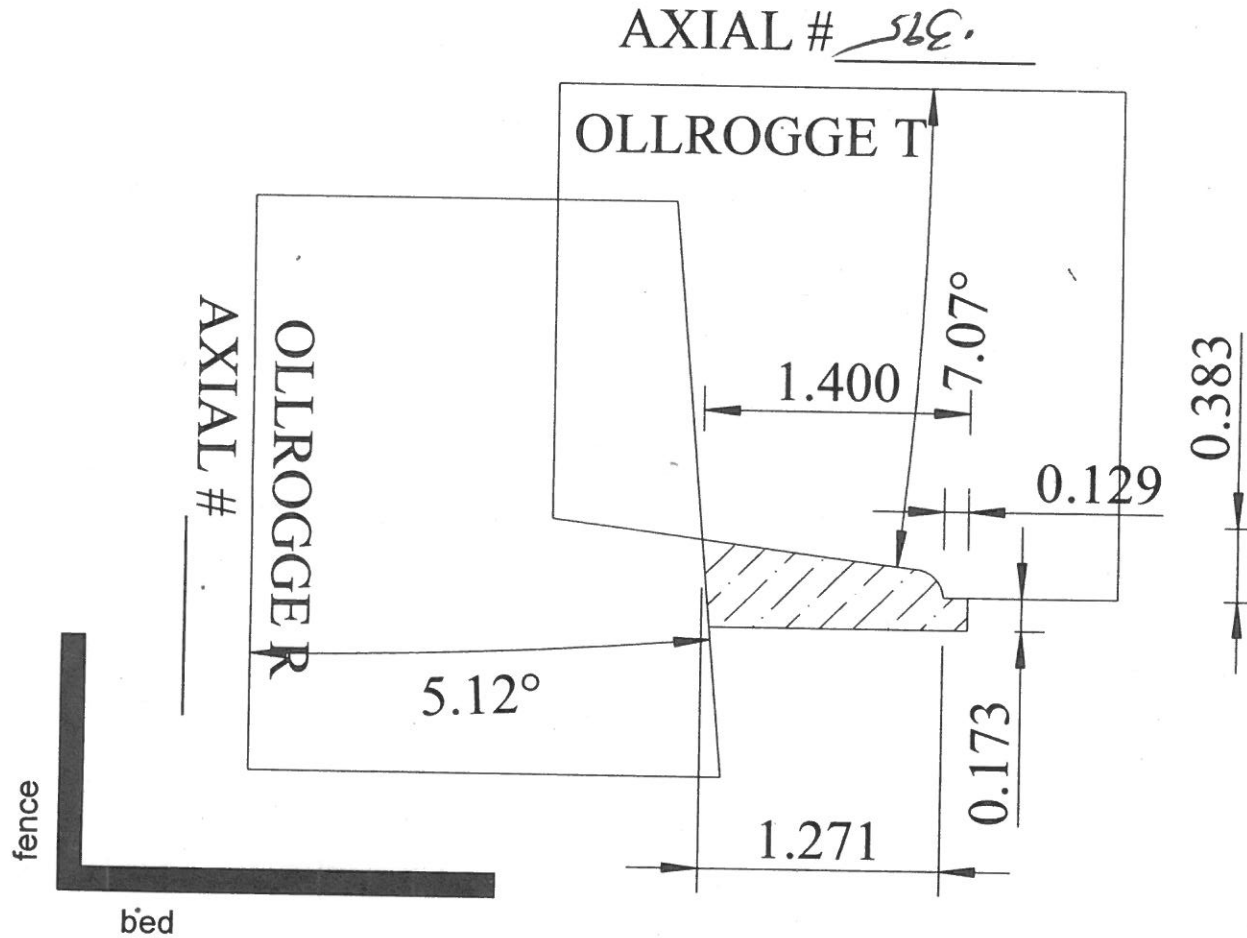
Thank you



Services Requested & Material Selection
(circle all that apply)

	Finished	Rough
M3+HSS	Double-Back	Supre
TCT Inlaid	Insert	SRS

A-81



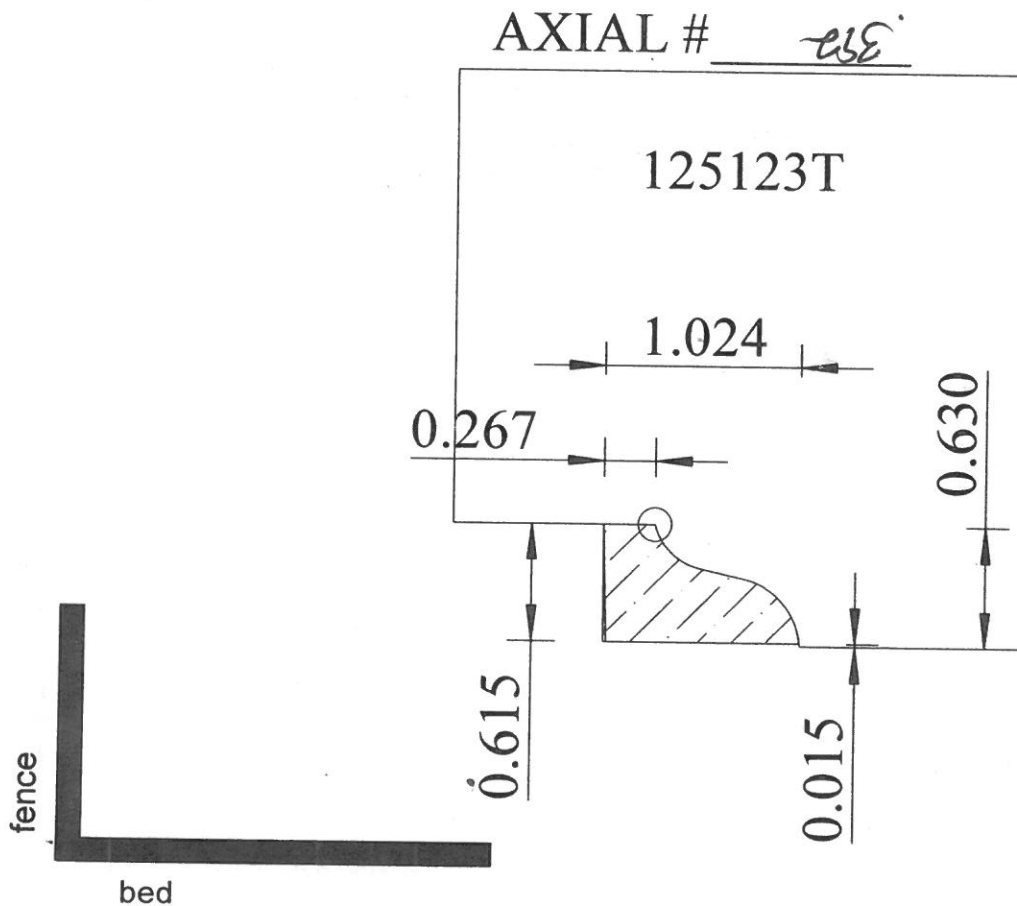
0.460 thick



Services Requested & Material Selection
(circle all that apply)

	Finished	Rough
M3+HSS	Double-Back	Supre
TCT Inlaid	Insert	SRS

A-90



** Custom for Pinnacle*

Michael Weing, Inc
124 Crosslake Park Drive
Mooresville, NC 28117

Sign for approval or make changes: X
DRAWN BY: "CHADROE" SLOAN

Thank you

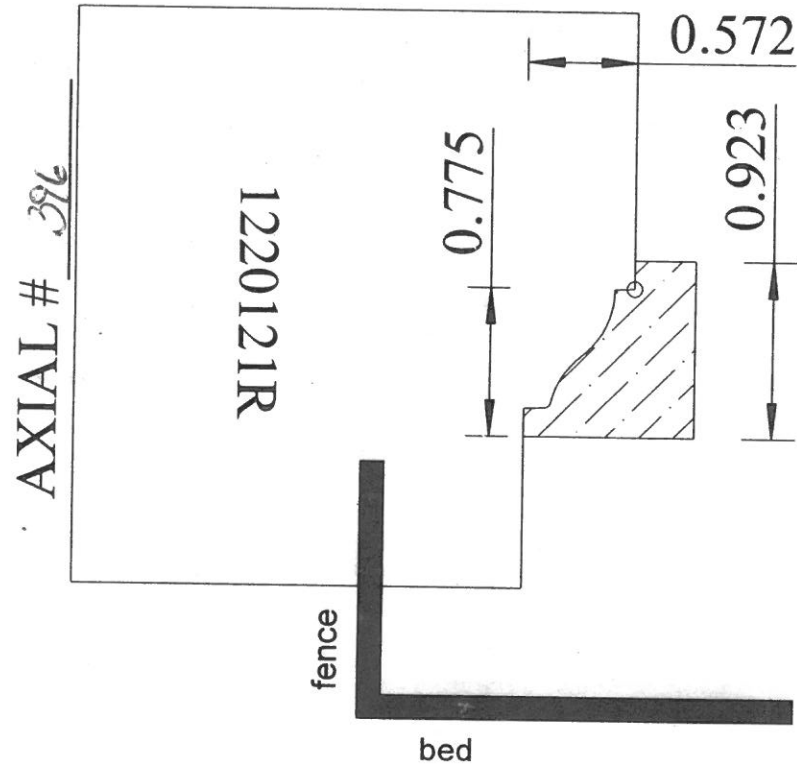


Services Requested & Material Selection
(circle all that apply)

	Finished	Rough
M3+HSS	Double-Back	Supre
TCT Inlaid	Insert	SRS

A-92

* Custom for
Lottor



943 Side
923 Top

346 Left
396 Right

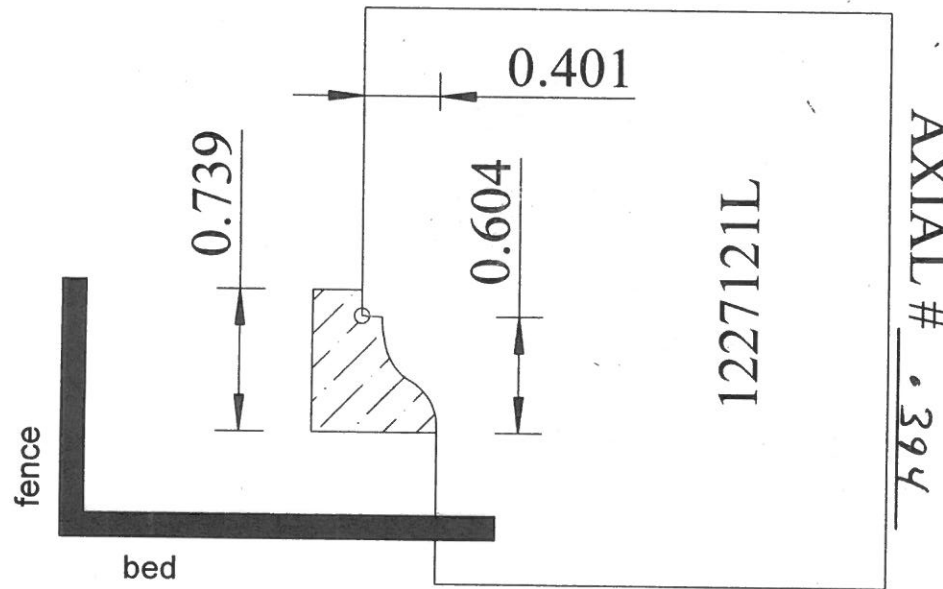


Services Requested & Material Selection
(circle all that apply)

	Finished	Rough
M3+HSS	Double-Back	Supre
TCT Inlaid	Insert	SRS

A-93

** Custom for G/12*

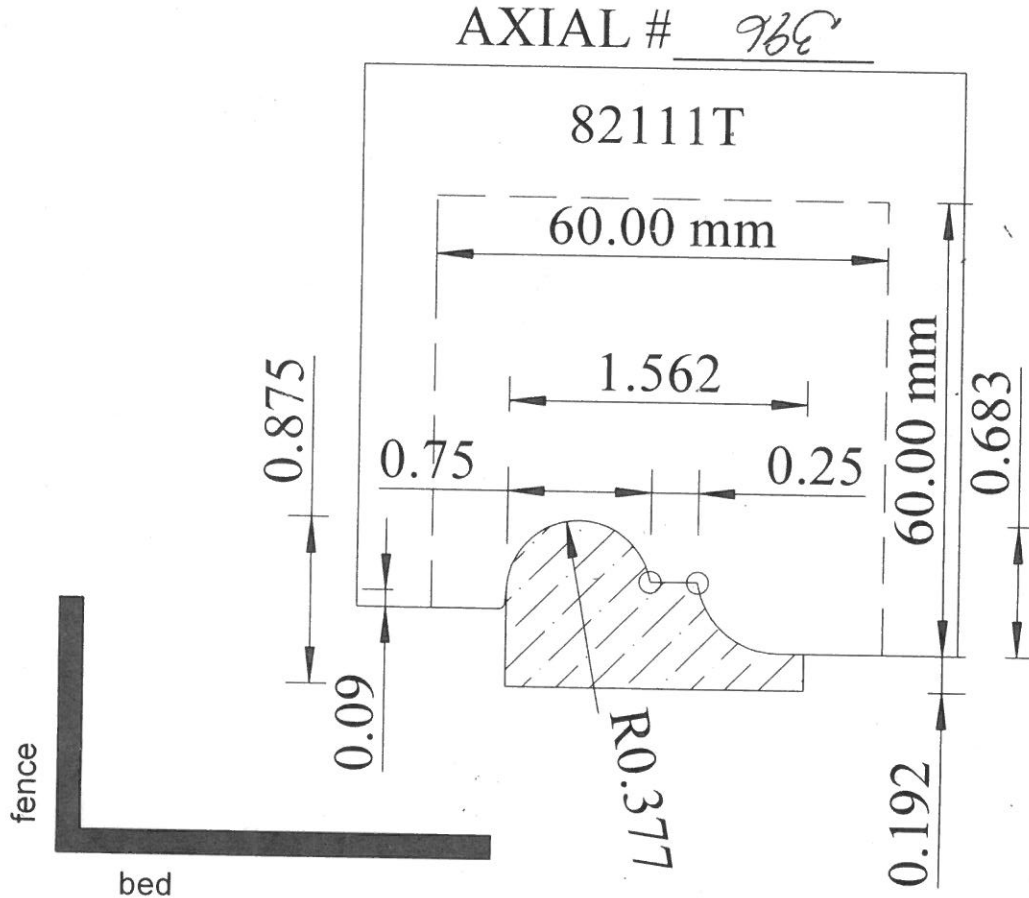




Services Requested & Material Selection
(circle all that apply)

	Finished	Rough
M3+HSS	Double-Back	Supre
TCT Inlaid	Insert	SRS

B-69



Michael Weinig, Inc
124 Crosslake Park Drive
Mooresville, NC 28117

Sign for approval or make changes: X
DRAWN BY: "CHADROE" SLOAN

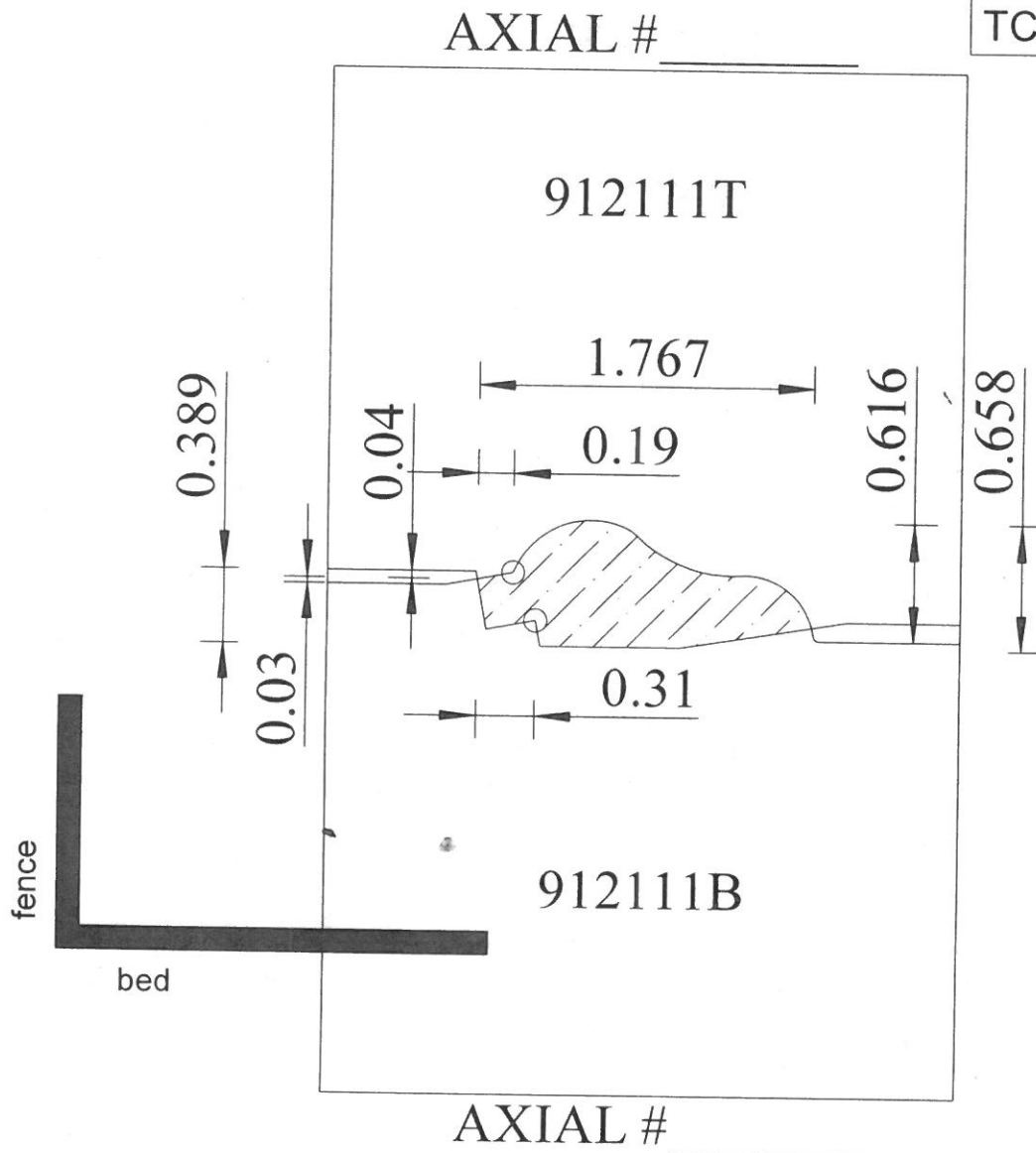
Thank you



Services Requested & Material Selection
(circle all that apply)

	Finished	Rough
M3+HSS	Double-Back	Supre
TCT Inlaid	Insert	SRS

B-74



Michael Weing, Inc
124 Crosslake Park Drive
Mooresville, NC 28117

Sign for approval or make changes: _____
DRAWN BY: Jason Lloyd

X

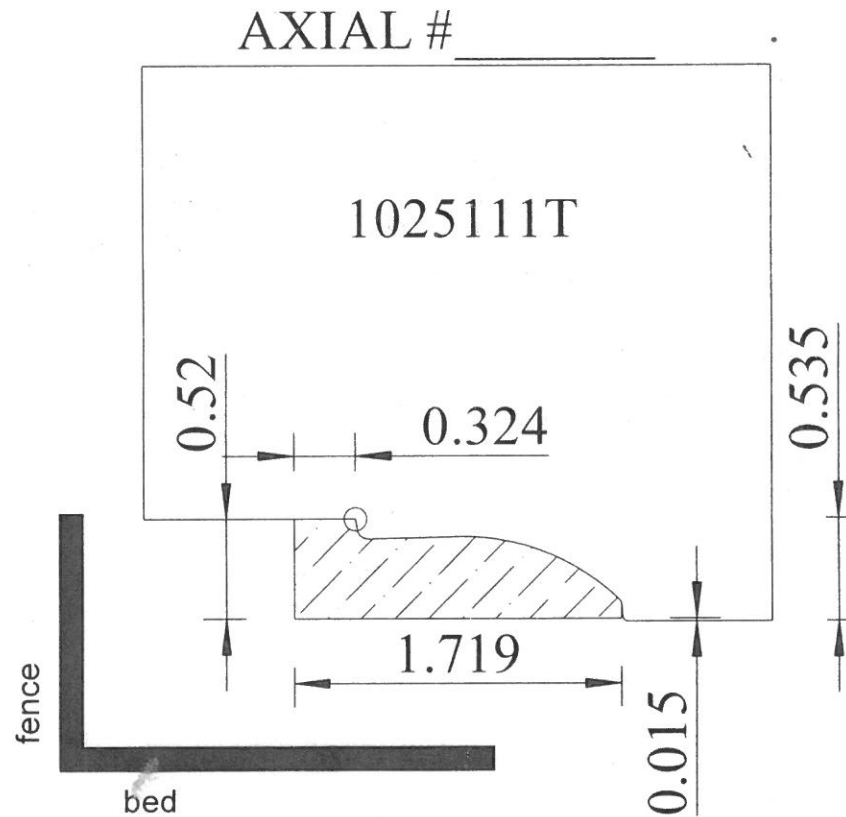
Thank you



Services Requested & Material Selection
(circle all that apply)

	Finished	Rough
M3+HSS	Double-Back	Supre
TCT Inlaid	Insert	SRS

B-77



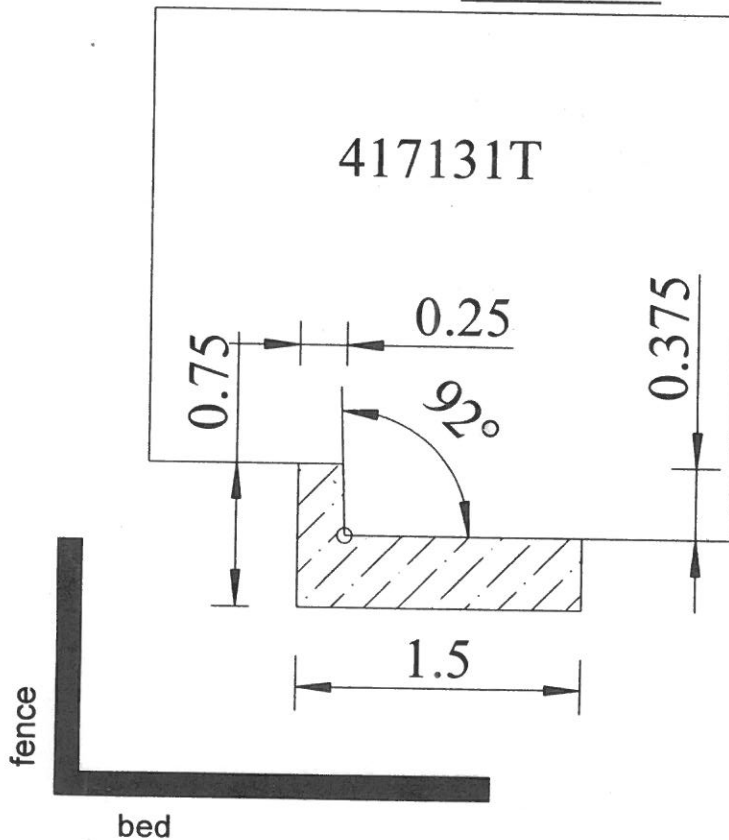


Services Requested & Material Selection
(circle all that apply)

	Finished	Rough
M3+HSS	Double-Back	Supre
TCT Inlaid	Insert	SRS

AXIAL # 938

B-88



* Custom for Schrie

Michael Weinig, Inc
124 Crosslake Park Drive
Mooresville, NC 28117

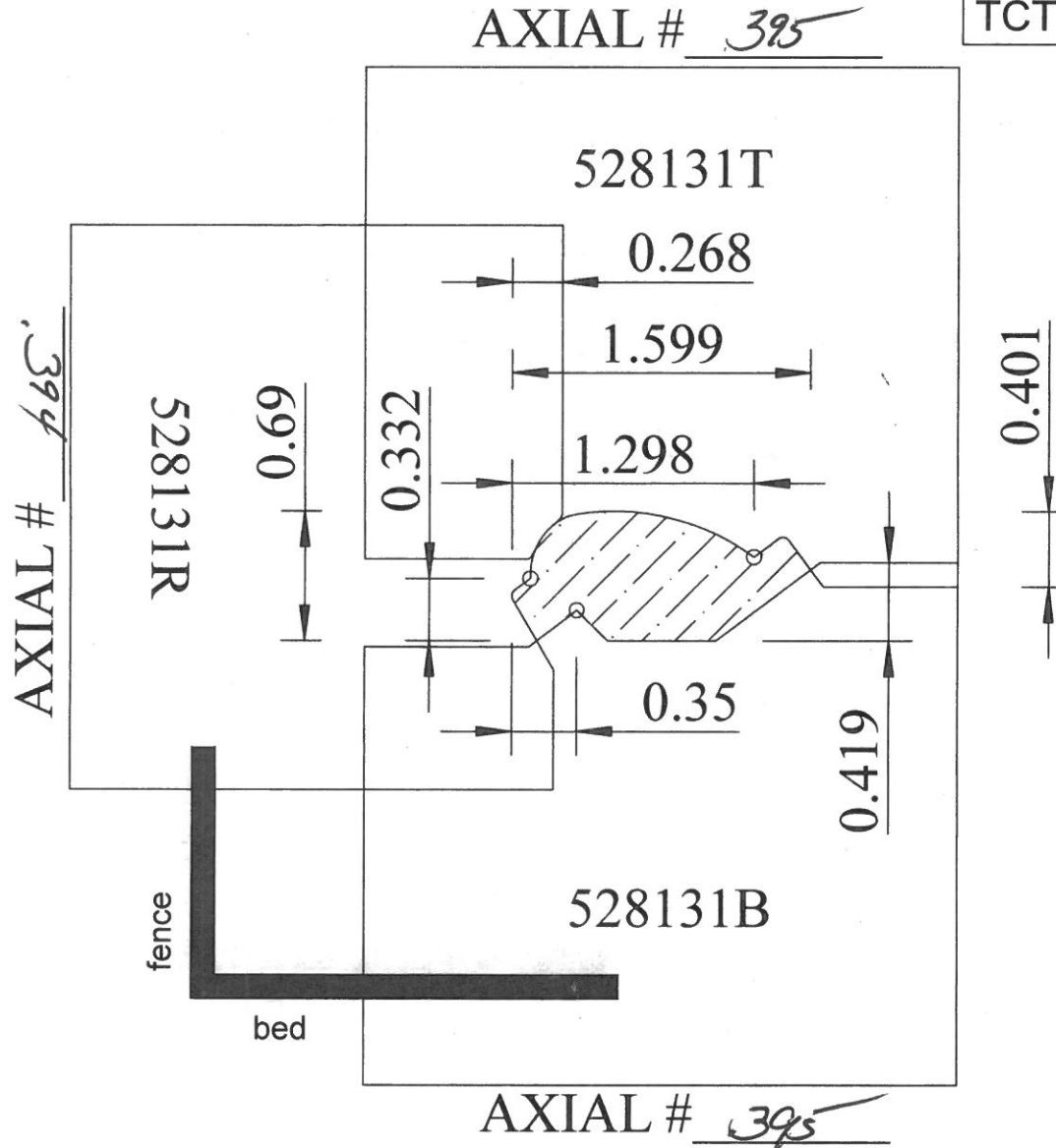
Sign for approval or make changes: X
DRAWN BY: Jason Lloyd

Thank you



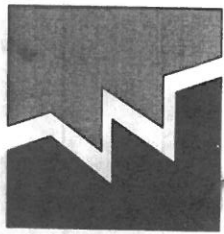
Services Requested & Material Selection
(circle all that apply)

	Finished	Rough
M3+HSS	Double-Back	Supre
TCT Inlaid	Insert	SRS



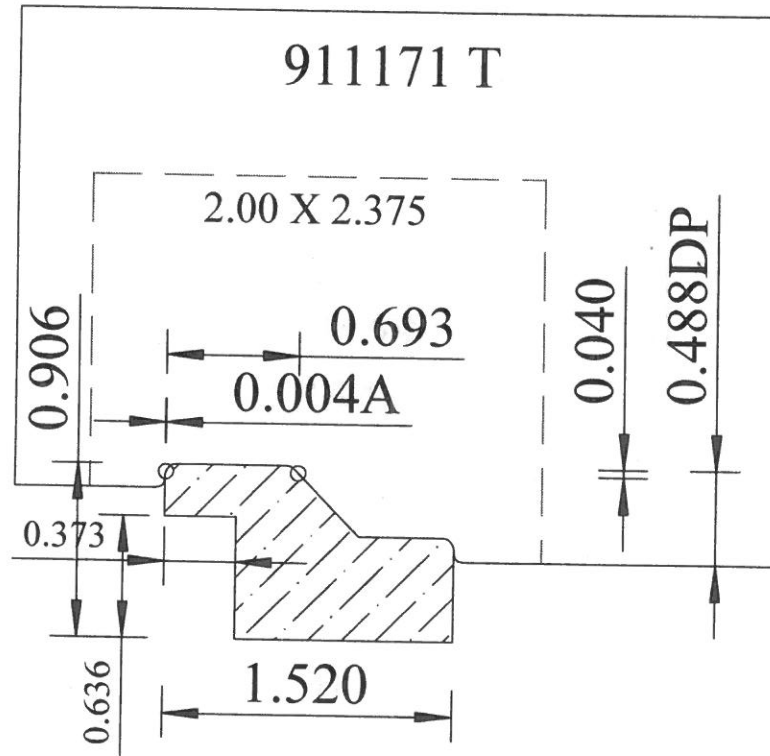
B-92

** Custom for Lakeside developm*



WEINIG

C-55



FENCE

BED

VIEW FROM OUTFEED

*Custom for
MATT AWAD

THIS DRAWING IS PROPERTY OF WEINIG INC.

CLIENT NAME: FILLINGER

SIGN FOR APPROVALS: X _____ DATE: _____
DRAWN BY: MARIA ALEMAN

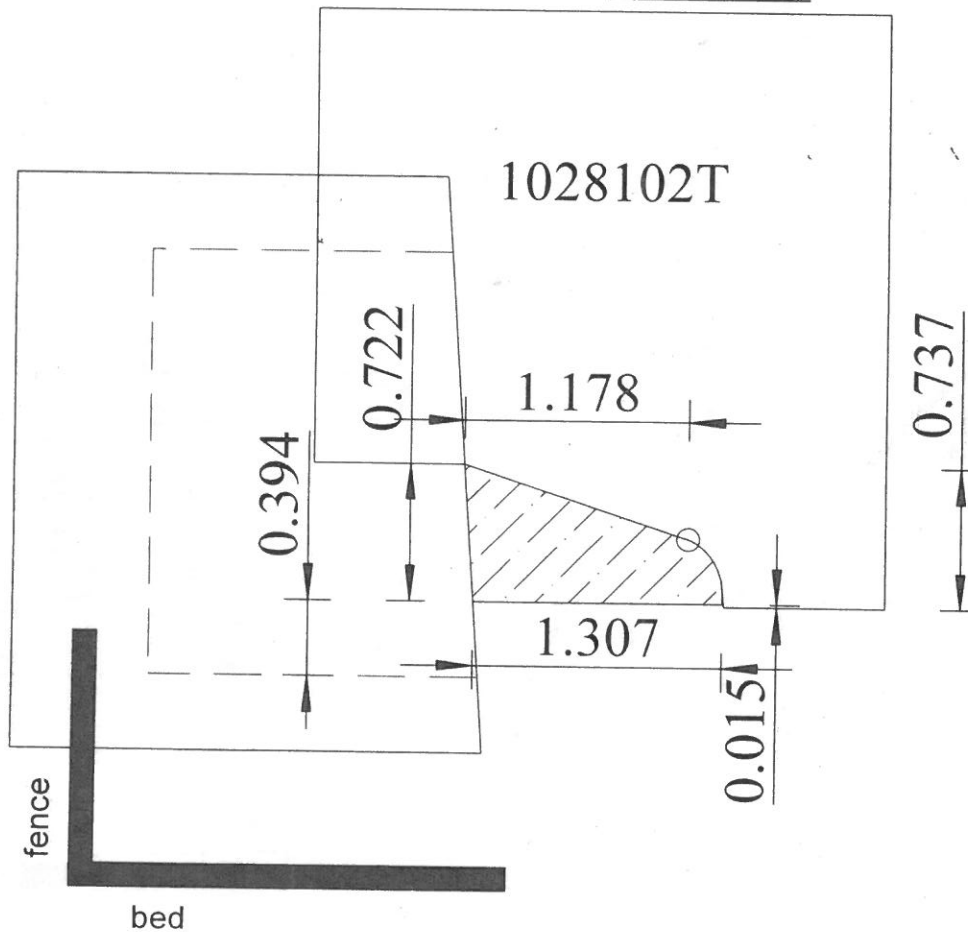


Services Requested & Material Selection
(circle all that apply)

	Finished	Rough
M3+HSS	Double-Back	Supre
TCT Inlaid	Insert	SRS

C-70
Thermo-stop

AXIAL # _____



Right AXIAL
3.174

1.364



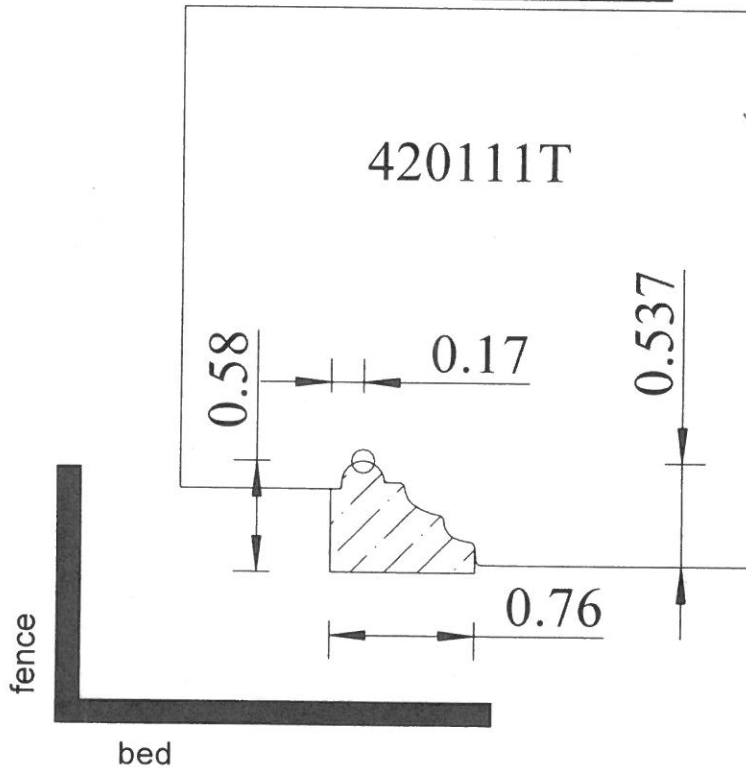
Grid #
C-72

AXIAL # _____

Services Requested & Material Selection
(circle all that apply)

	Finished	Rough
M3+HSS	Double-Back	Supre
TCT Inlaid	Insert	SRS

Krivilus
Custom

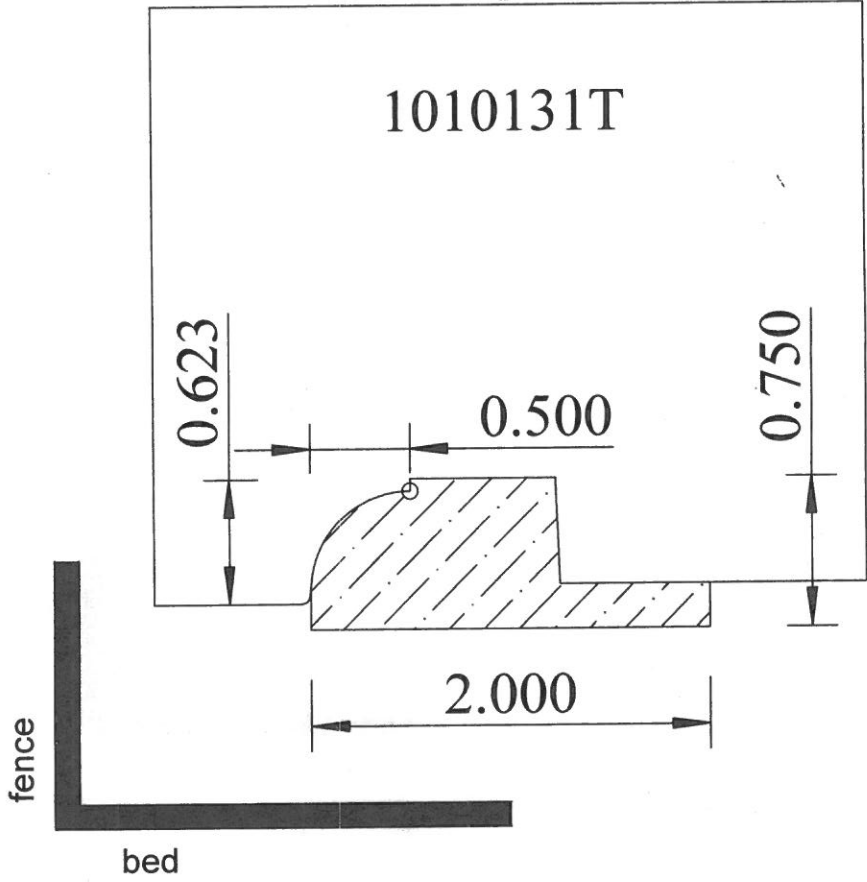




	KNIFE MATERIAL	
M2 5/16"	M3+ HSS	SUPRE-18

C-87

AXIAL # 838



VIEW FROM
OUTFEED

* Custom for
STATZ RESTORATI

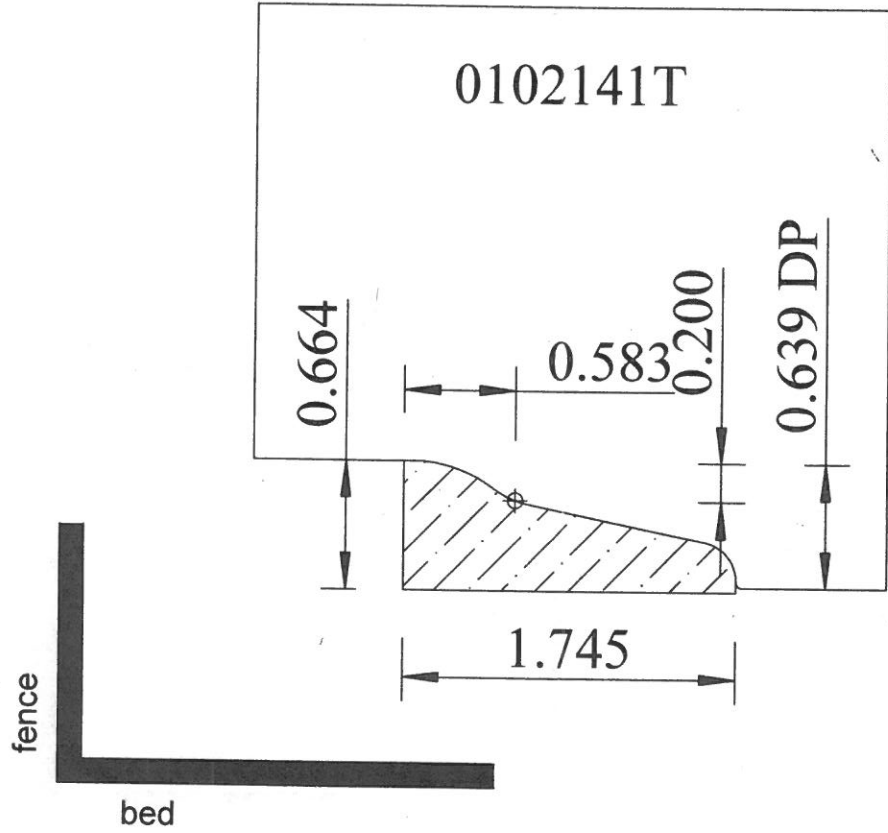
THIS DRAWING IS PROPERTY OF WEINIG INC.

Sign for approvals: X Date: _____
DRAWN BY: "Michael Neville"



	KNIFE MATERIAL	
M2 5/16"	M3+ HSS	SUPRE-18

C-93



* Custom for
MATT Mueller

VIEW FROM
OUTFEED

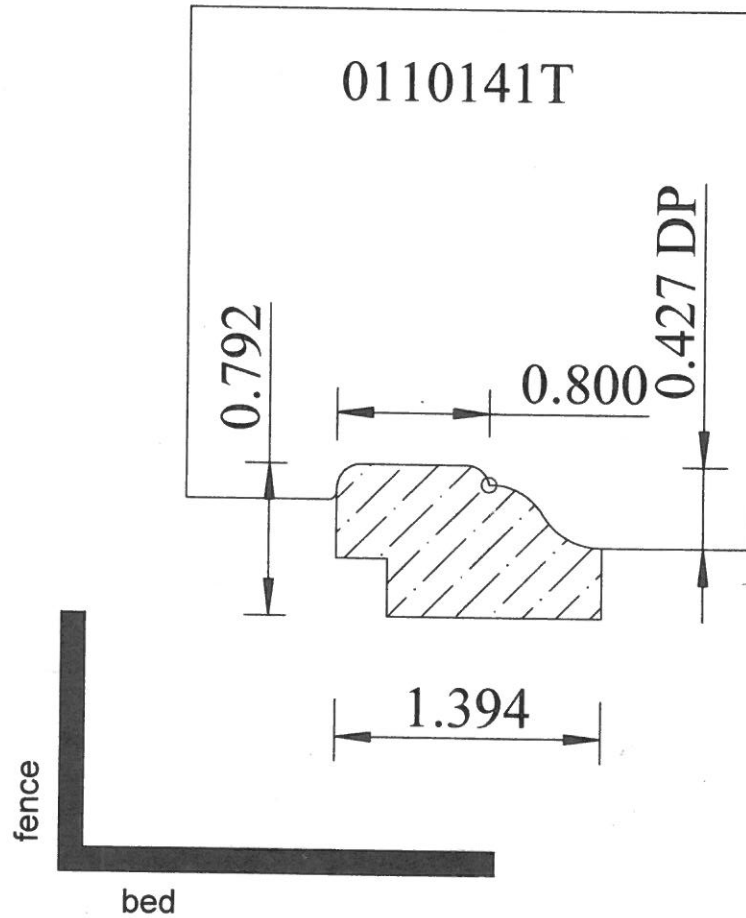
THIS DRAWING IS PROPERTY OF WEINIG INC.

Sign for approvals: X _____ Date: _____
DRAWN BY: "Michael Neville"



	KNIFE MATERIAL	
M2 5/16"	M3+ HSS	SUPRE-18

C-94



VIEW FROM
OUTFEED

* Custom for
BeIFOR USA Gro

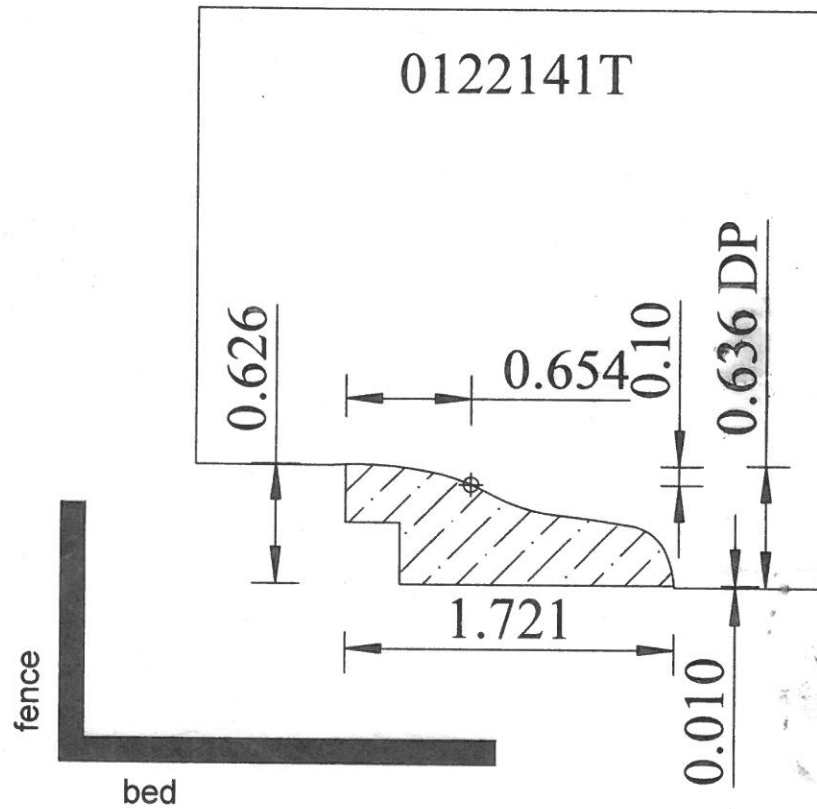
THIS DRAWING IS PROPERTY OF WEINIG INC.

Sign for approvals: _____ Date: _____
DRAWN BY: "Michael Neville"



	KNIFE MATERIAL	
M2 5/16"	M3+ HSS	SUPRE-18

C-95



* Custom for
DAVE CLARK

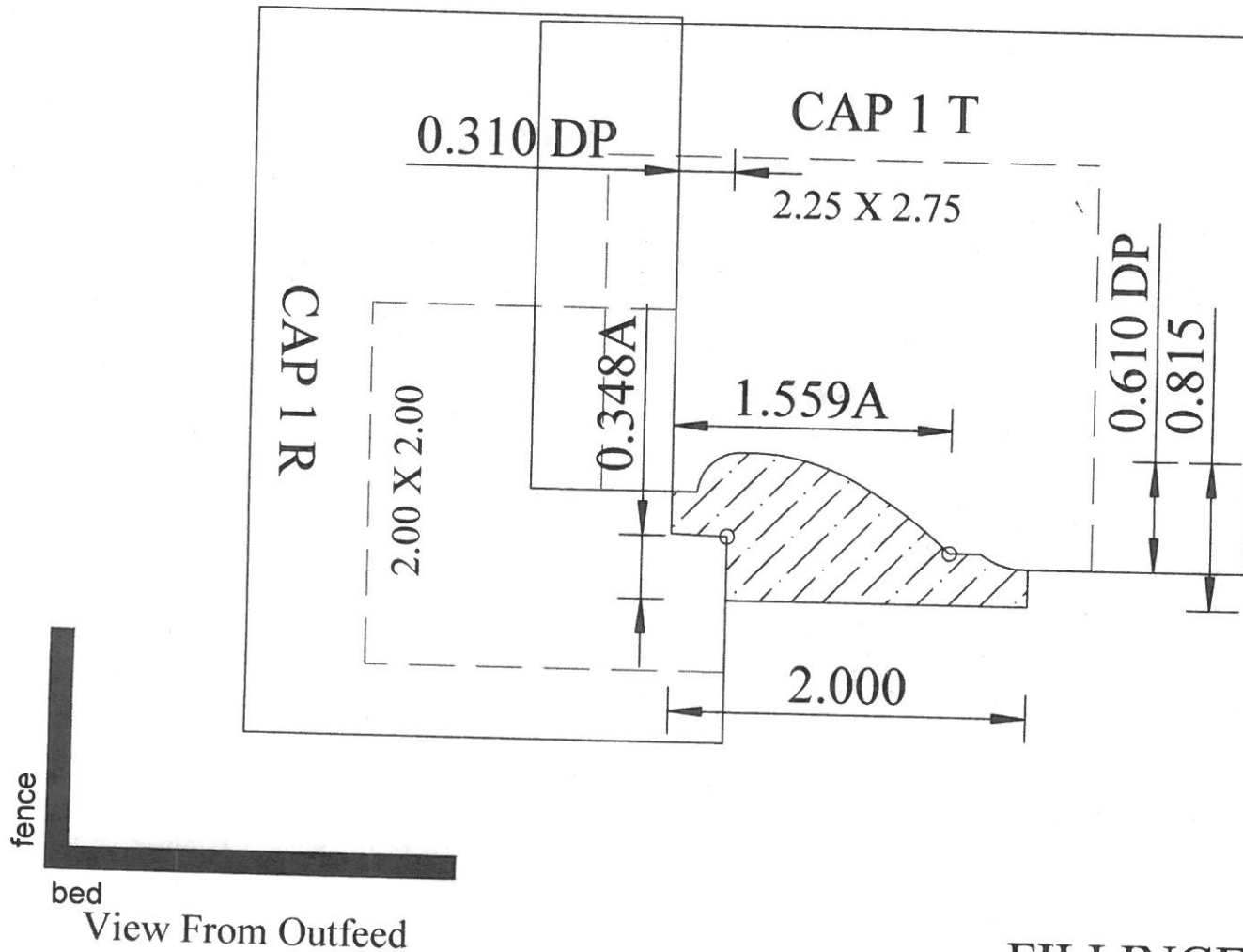
VIEW FROM
OUTFEED

THIS DRAWING IS PROPERTY OF WEINIG INC.

Sign for approvals: X
DRAWN BY: "Michael Neville" Date: _____



D-56



* Custom FOR
CHARLIE FOX

Client Name: FILLINGER

Sign for approvals: X

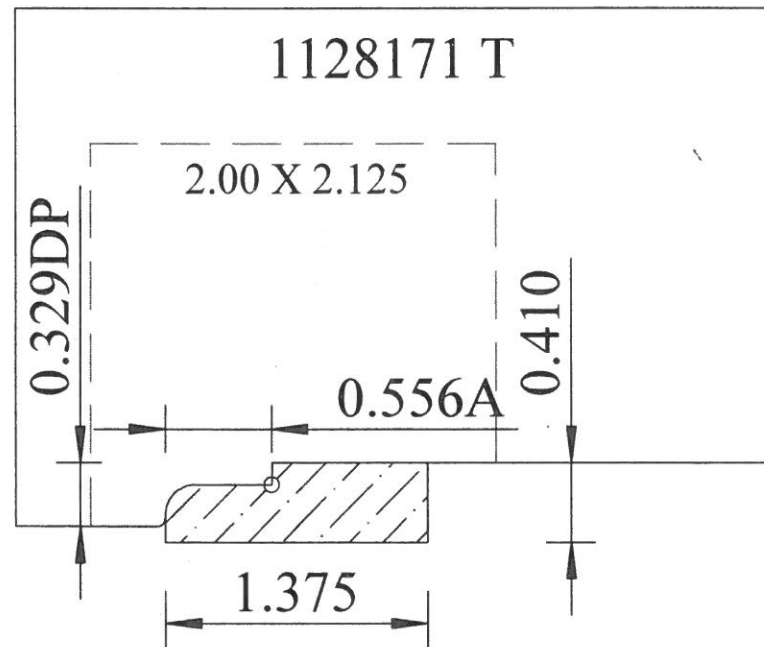
DRAWN BY: "Igor Arsenovich"

Date: _____

THIS DRAWING IS PROPERTY OF WEINIG INC.



D-61



* Custom for
Duane Nelson.



FENCE

BED

VIEW FROM OUTFEED

THIS DRAWING IS PROPERTY OF WEINIG INC.

CLIENT NAME: FILLINGER

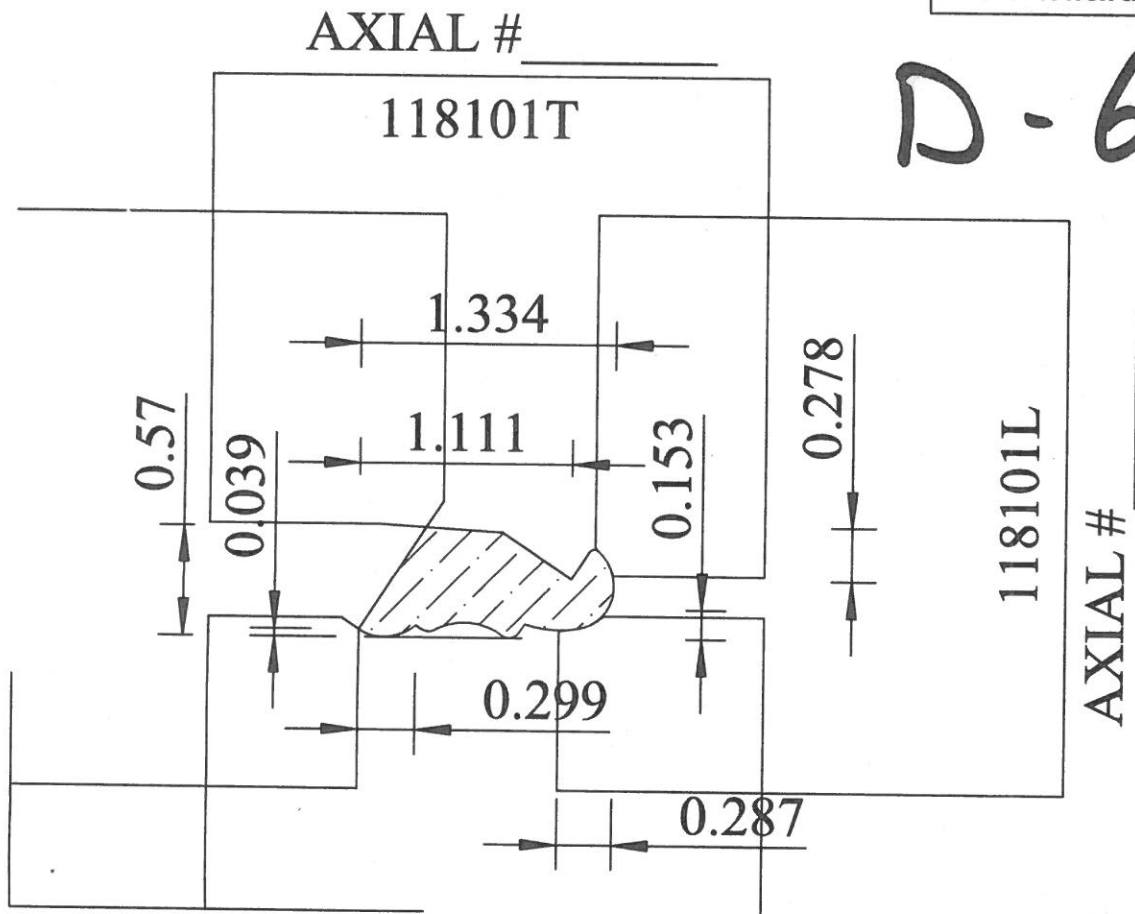
SIGN FOR APPROVALS: X _____
DRAWN BY: MARIA ALEMAN

DATE: _____

D-67

	Finished
M3+HSS	Double-Back
TCT Inlaid	Insert

D-67



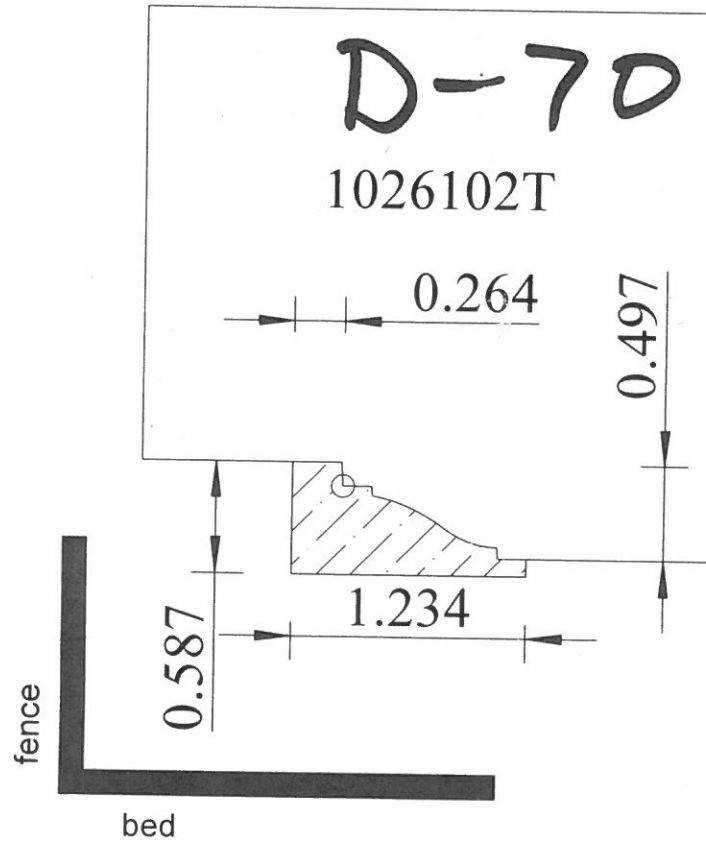


Services Requested & Material Selection
(circle all that apply)

	Finished	Rough
M3+HSS	Double-Back	Supre
TCT Inlaid	Insert	SRS

AXIAL # _____

D-70



Michael Weing, Inc
124 Crosslake Park Drive
Mooresville, NC 28117

Sign for approval or make changes: X
DRAWN BY: Jason Lloyd
Thank you

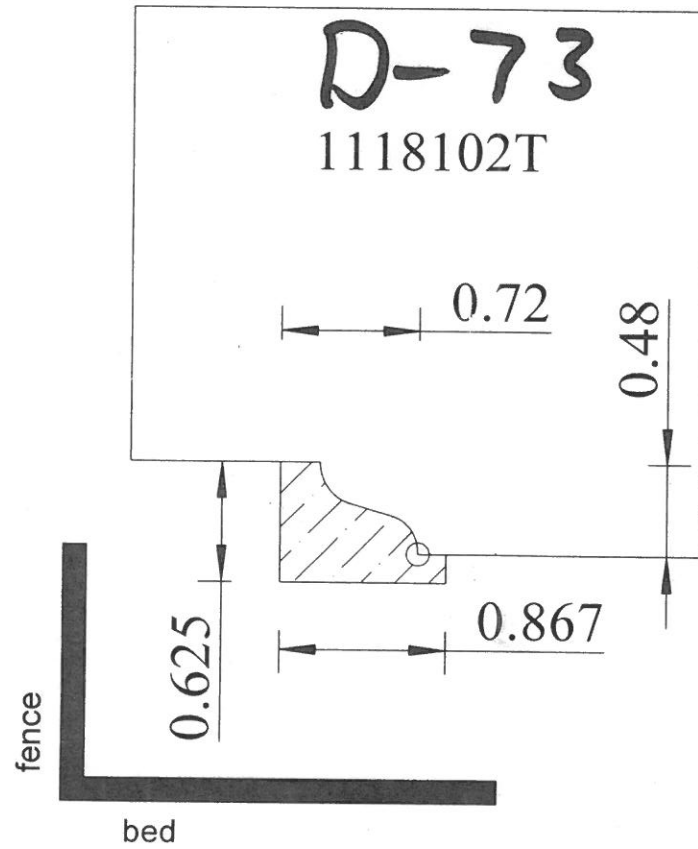


Services Requested & Material Selection
(circle all that apply)

	Finished	Rough
M3+HSS	Double-Back	Supre
TCT Inlaid	Insert	SRS

D-73

AXIAL # _____



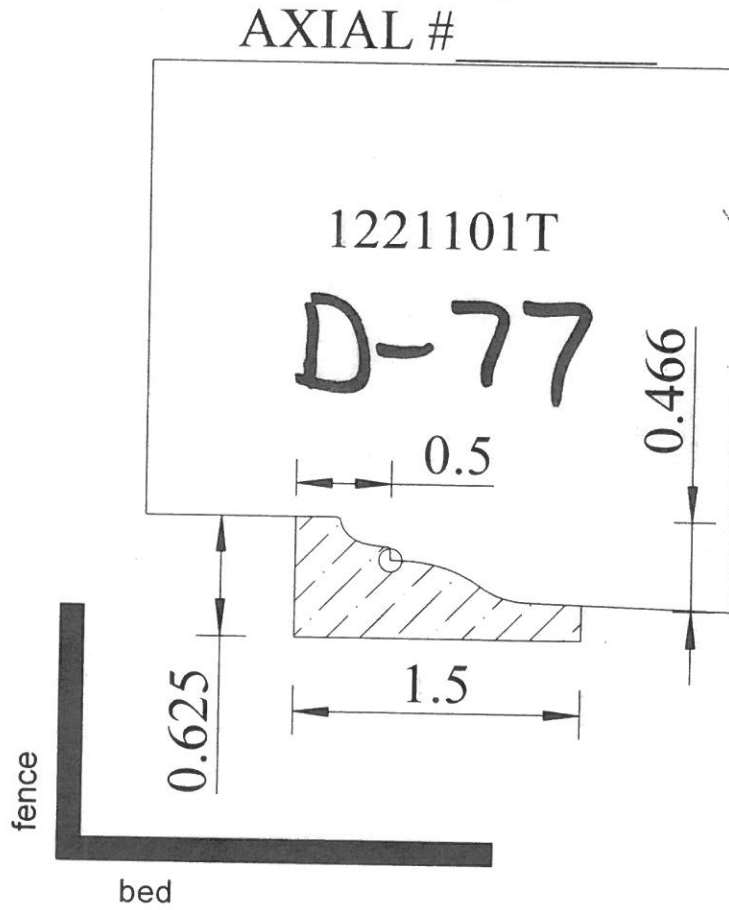
Schnell



Services Requested & Material Selection
(circle all that apply)

	Finished	Rough
M3+HSS	Double-Back	Supre
TCT Inlaid	Insert	SRS

D-77



Michael Weing, Inc
124 Crosslake Park Drive
 Mooresville, NC 28117

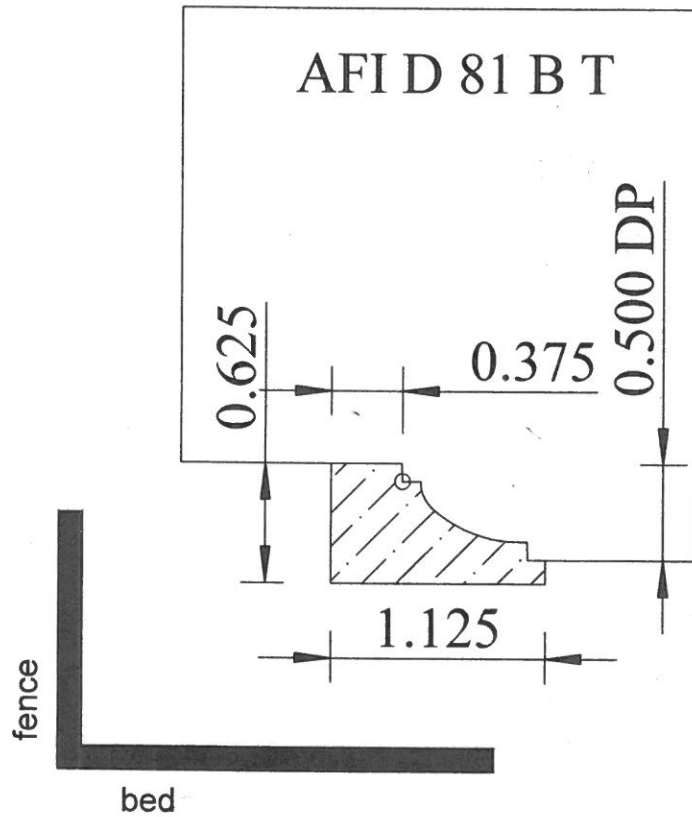
Sign for approval or make changes: X
DRAWN BY: Jason Lloyd

Thank you



	KNIFE MATERIAL	
M2 5/16"	M3+ HSS	SUPRE-18

D-82



* Custom for
PAUL DAVIS RESTORATION
Sawyer Rd. Project

VIEW FROM
OUTFEED

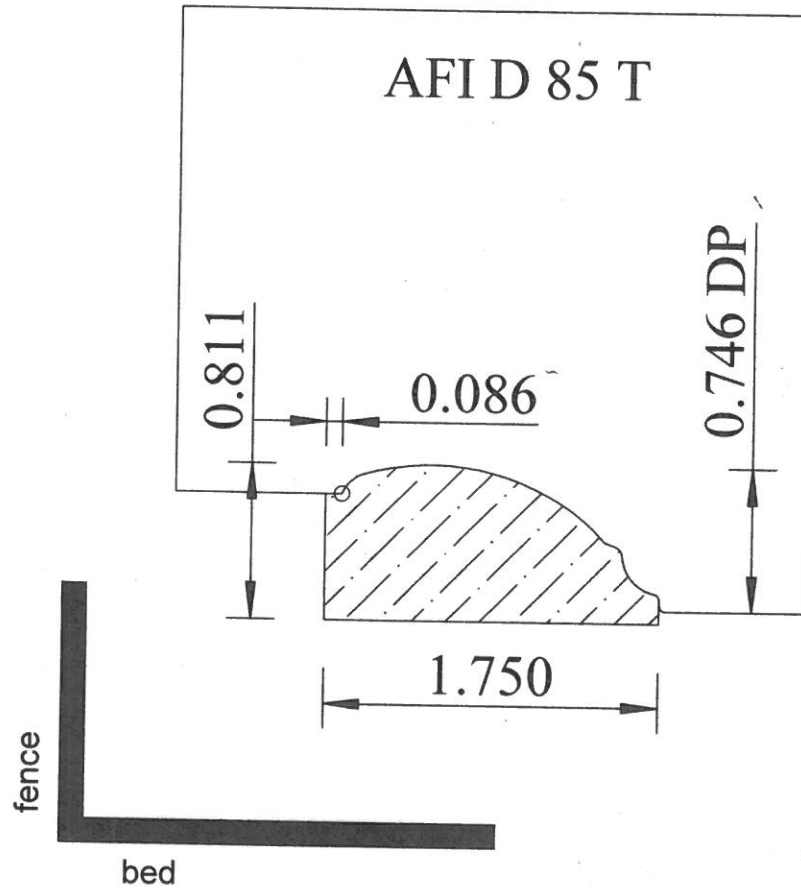
THIS DRAWING IS PROPERTY OF WEINIG INC.

Sign for approvals: X
DRAWN BY: "Michael Neville" Date: _____



	KNIFE MATERIAL	
M2 5/16"	M3+ HSS	SUPRE-18

D-85



VIEW FROM
OUTFEED

* Custom for
PAUL DAVIS Restorat
Sawyer Rd. Project

THIS DRAWING IS PROPERTY OF WEINIG INC.

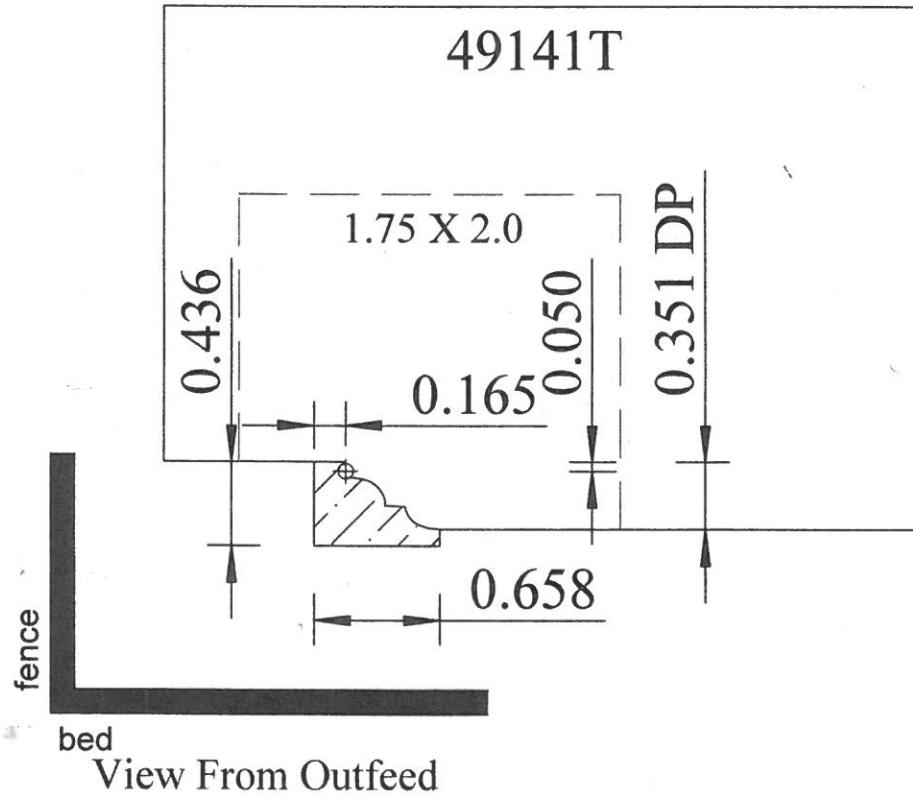
Sign for approvals: X
DRAWN BY: "Michael Neville" Date: _____



WEINIG

D-96

CHARLIE FOX



* Custom for Charlie fox.

Client Name: FILLINGER INC

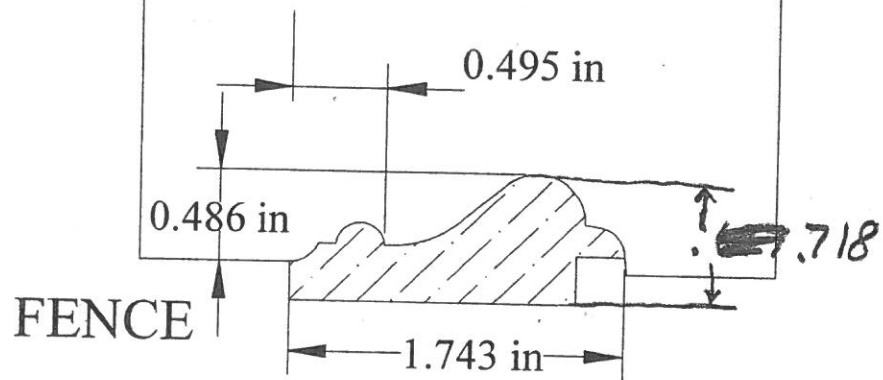
Sign for approvals: X
DRAWN BY: "Michael Neville"

Date: _____

THIS DRAWING IS PROPERTY OF WEINIG INC.

E-75

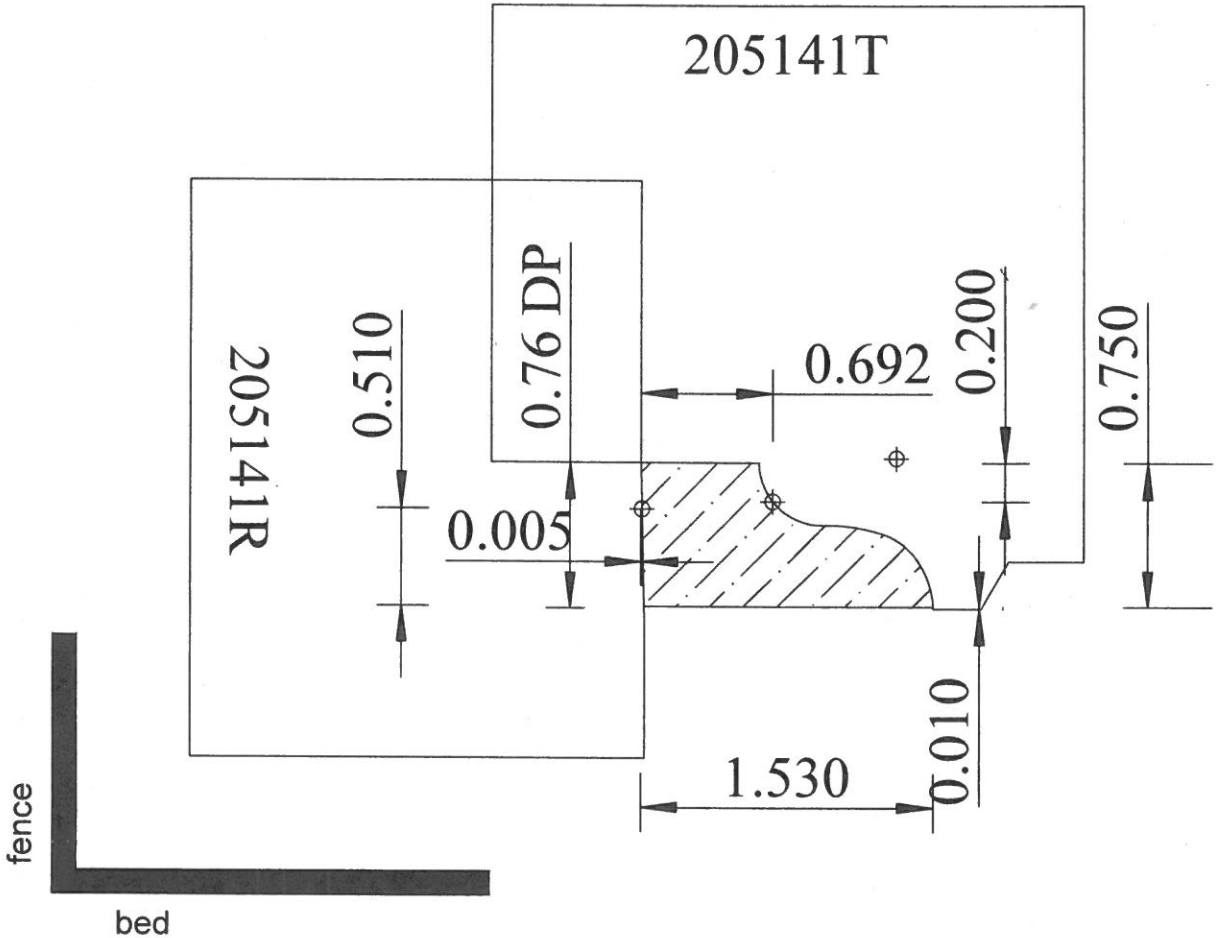
929061T





	KNIFE MATERIAL	
M2 5/16"	M3+ HSS	SUPRE-18

E-81



* Custom for Miron Builders

VIEW FROM
OUTFEED

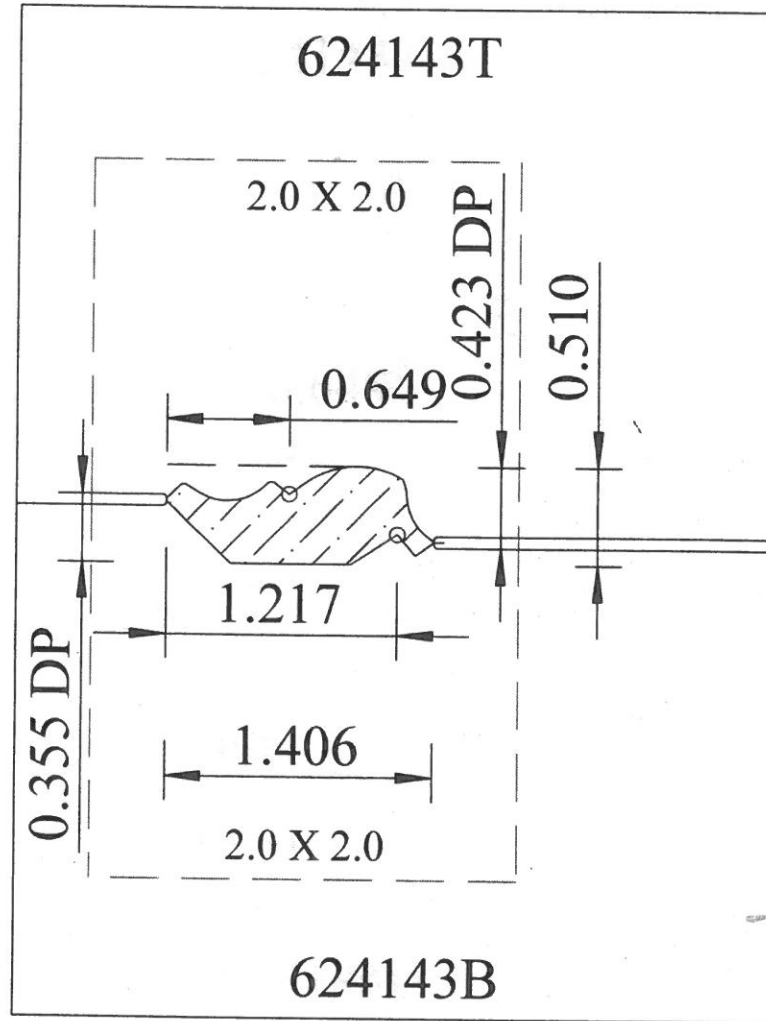
THIS DRAWING IS PROPERTY OF WEINIG INC.

Sign for approvals: X
DRAWN BY: "Michael Neville" Date: _____



WEINIG

E-94



*NOTE: Must Run Longer lengths to get Desired lengths

* Custom for Tom ZAl e

fence

bed

View From Outfeed

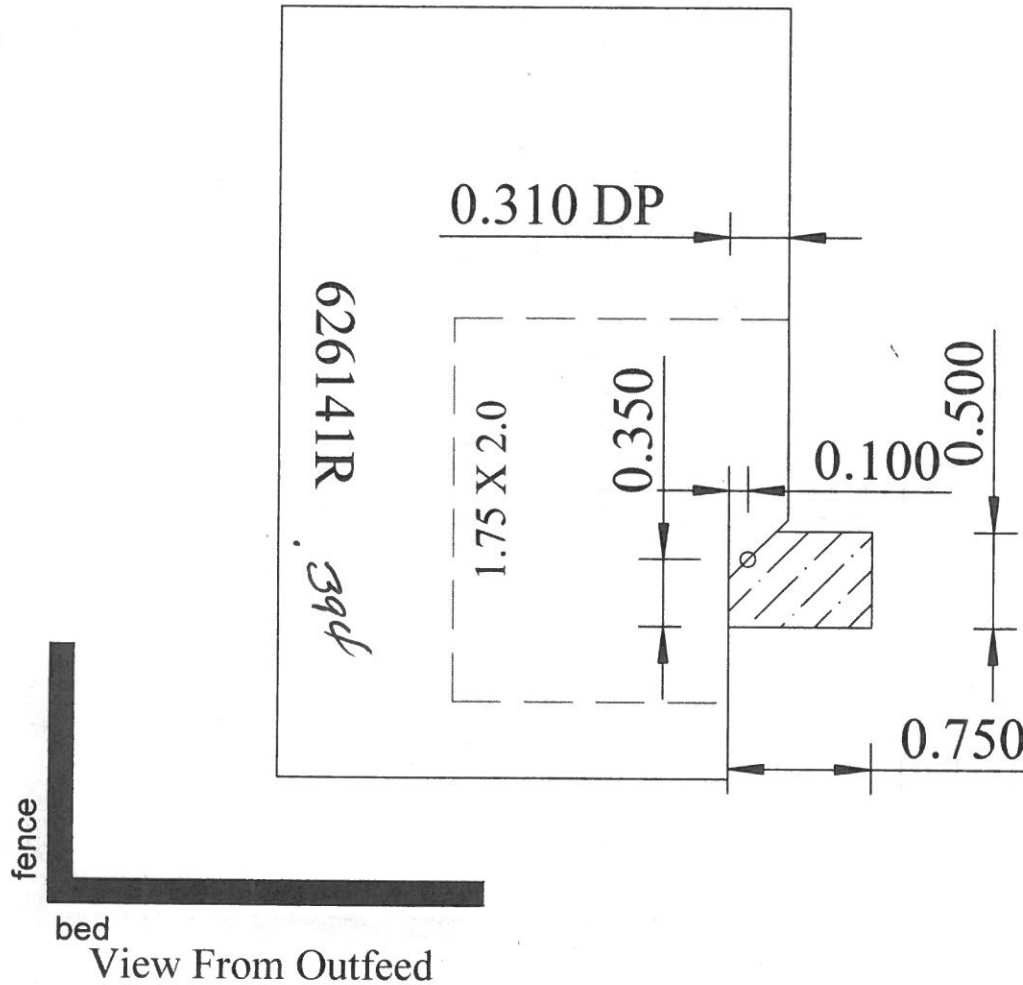
Client Name: FILLINGER

Sign for approvals: X
 DRAWN BY: "Michael Neville" Date: _____

THIS DRAWING IS PROPERTY OF WEINIG INC.



E-95



* Custom for
Divorhan

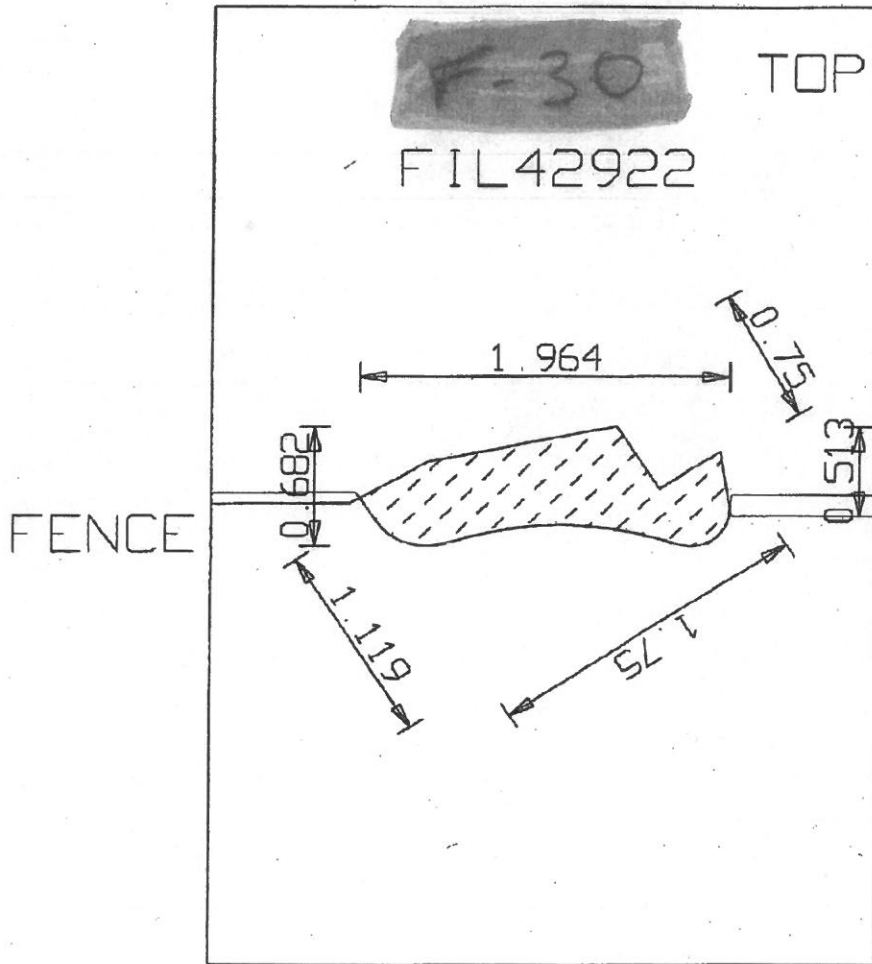
Client Name: FILLINGER

Sign for approvals: X
DRAWN BY: "Michael Neville"

Date: _____

THIS DRAWING IS PROPERTY OF WEINIG INC.

Take out .020 plate
at end of machine.



2nd Top
Head

Last + Bottom
Head

~~346~~
1365

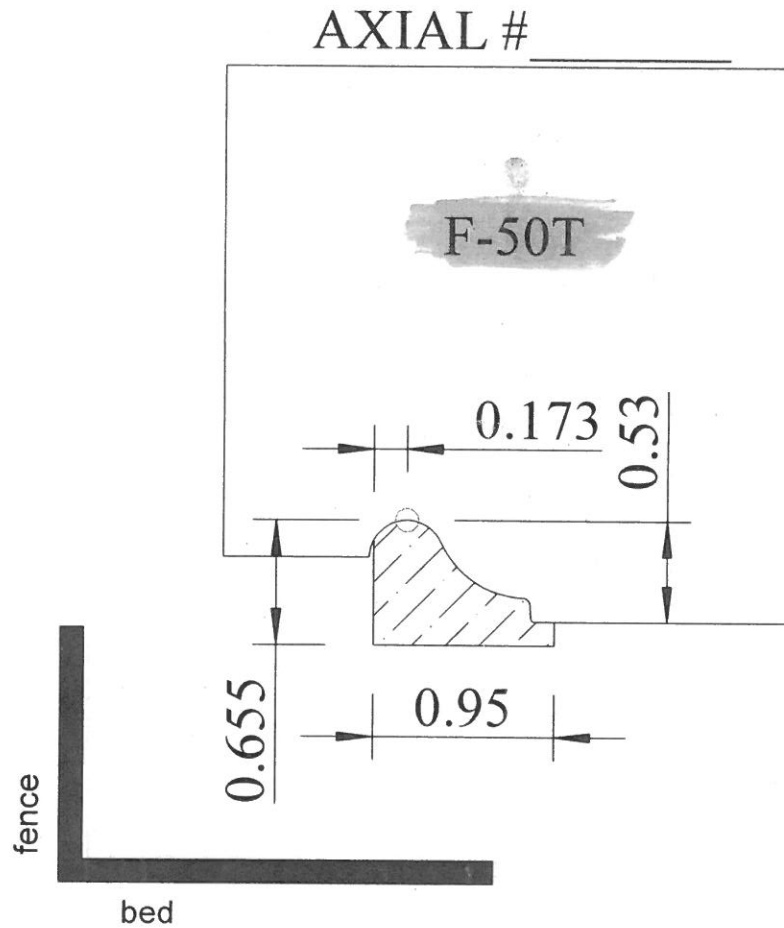
~~355~~ 394

Rip 2 1/8"



Services Requested & Material Selection
(circle all that apply)

	Finished	Rough
M3+HSS	Double-Back	Supre
TCT Inlaid	Insert	SRS



Michael Weing, Inc
124 Crosslake Park Drive
Mooresville, NC 28117

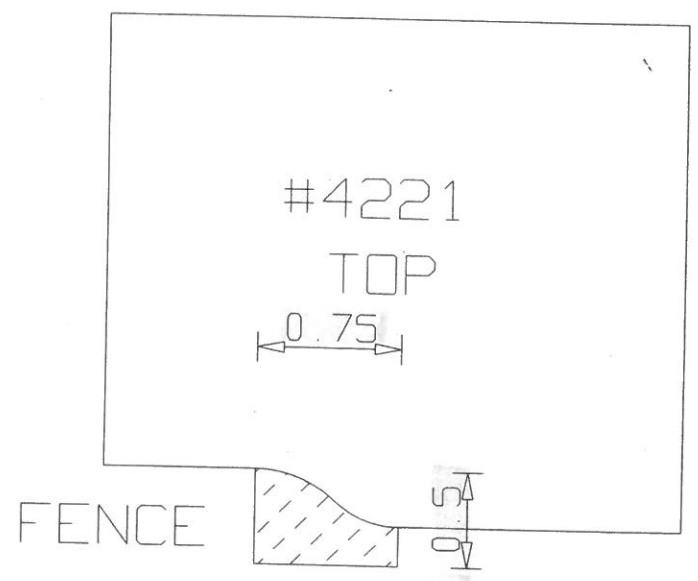
Sign for approval or make changes: X

DRAWN BY: Jason Lloyd

Thank you

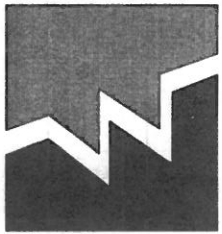
BASE CAP

IN F-LAB

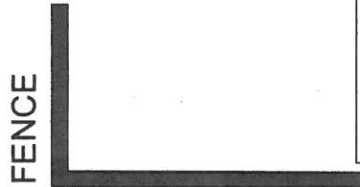
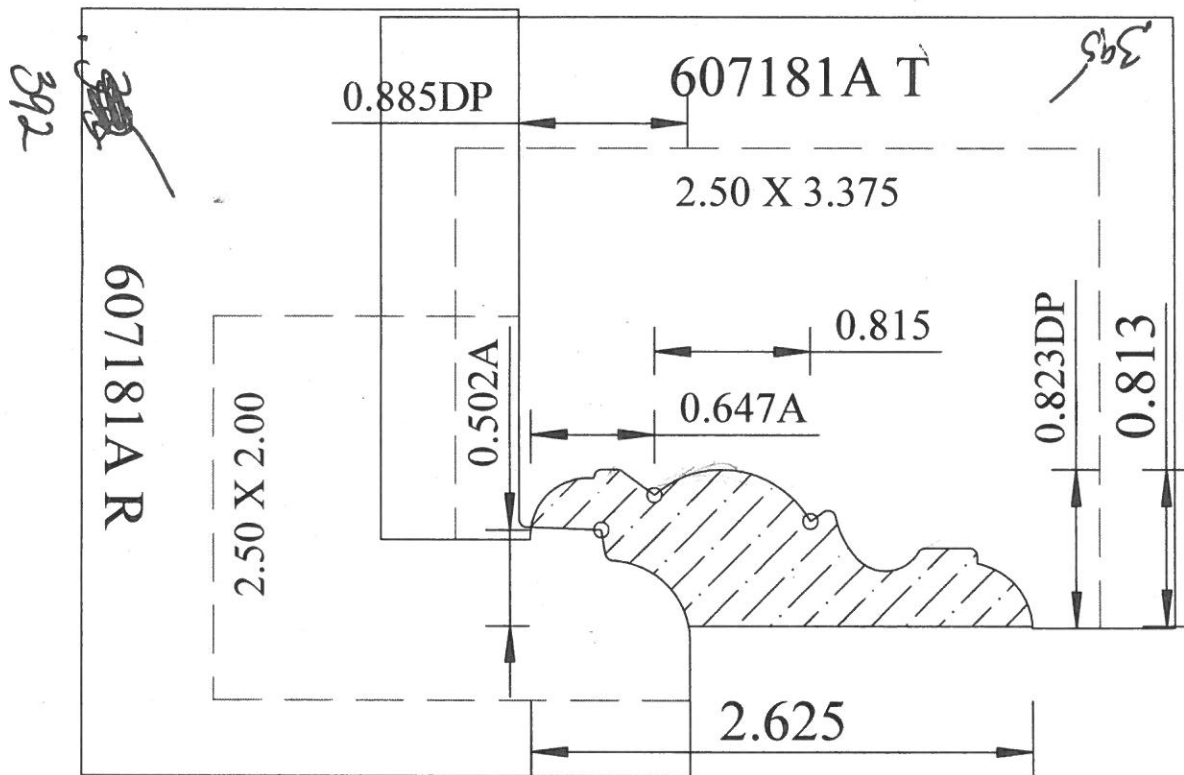
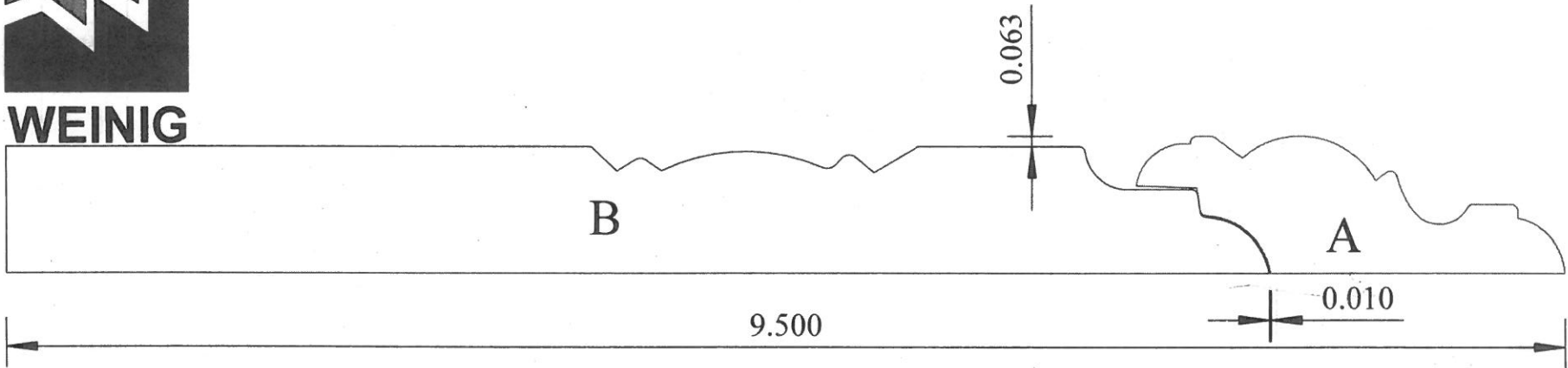


BASE Cap

F-55



WEINIG



VIEW FROM OUTFEED

*Custom for
Kira Vorden

THIS DRAWING IS PROPERTY OF WEINIG INC.

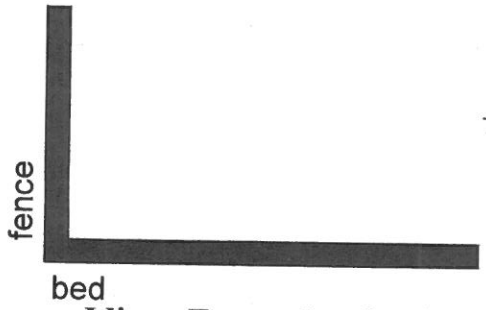
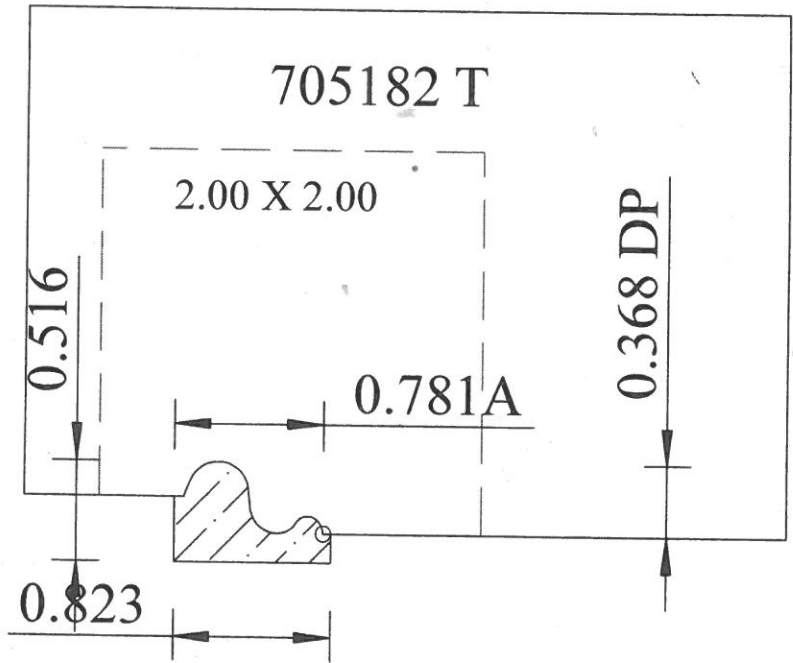
CLIENT NAME: FILLINGER

SIGN FOR APPROVALS: X
DRAWN BY: MARIA ALEMAN

DATE: _____



F-57



View From Outfeed

* Custom for
JASON WALLACE

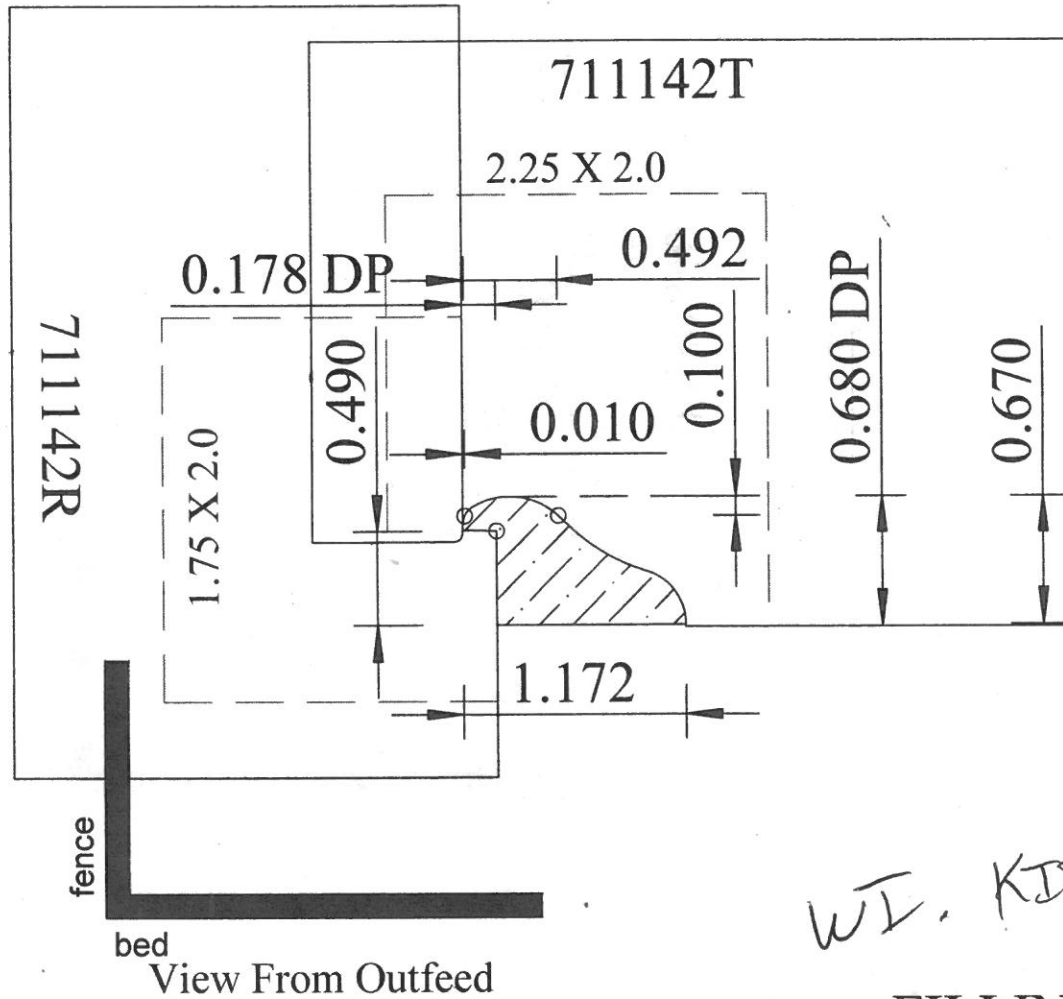
Client Name: FILLINGER

Sign for approvals: X Date: _____
DRAWN BY: "Igor Arsenovich"

THIS DRAWING IS PROPERTY OF WEINIG INC.



F-79



WI. KITCHEN MART

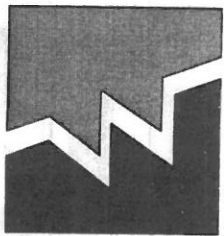
FILLINGER

Client Name: _____

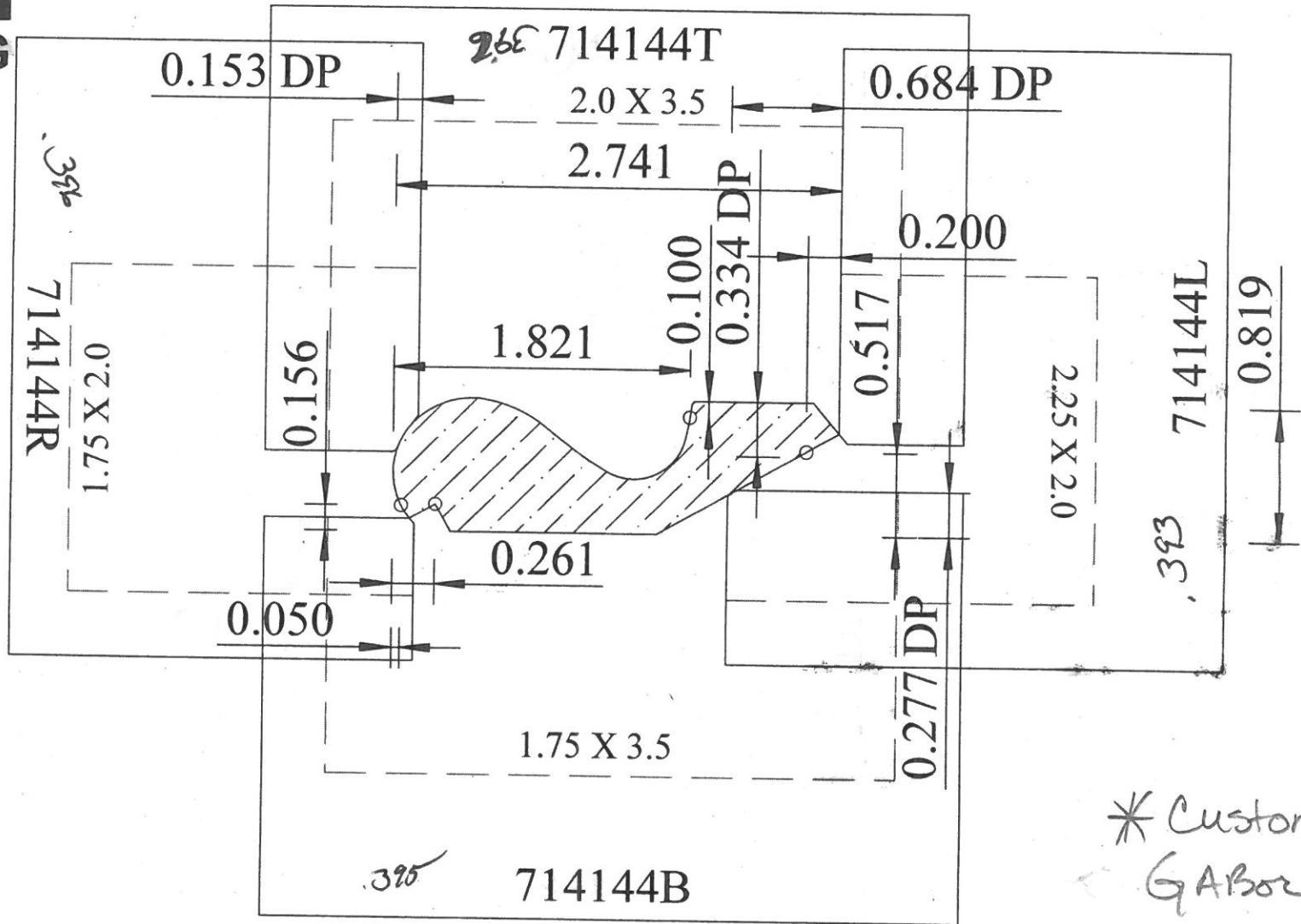
Sign for approvals: _____
DRAWN BY: "Michael Neville" _____ Date: _____

THIS DRAWING IS PROPERTY OF WEINIG INC.

F-82



WEINIG



* Custom for GABOR Design

FILLINGER

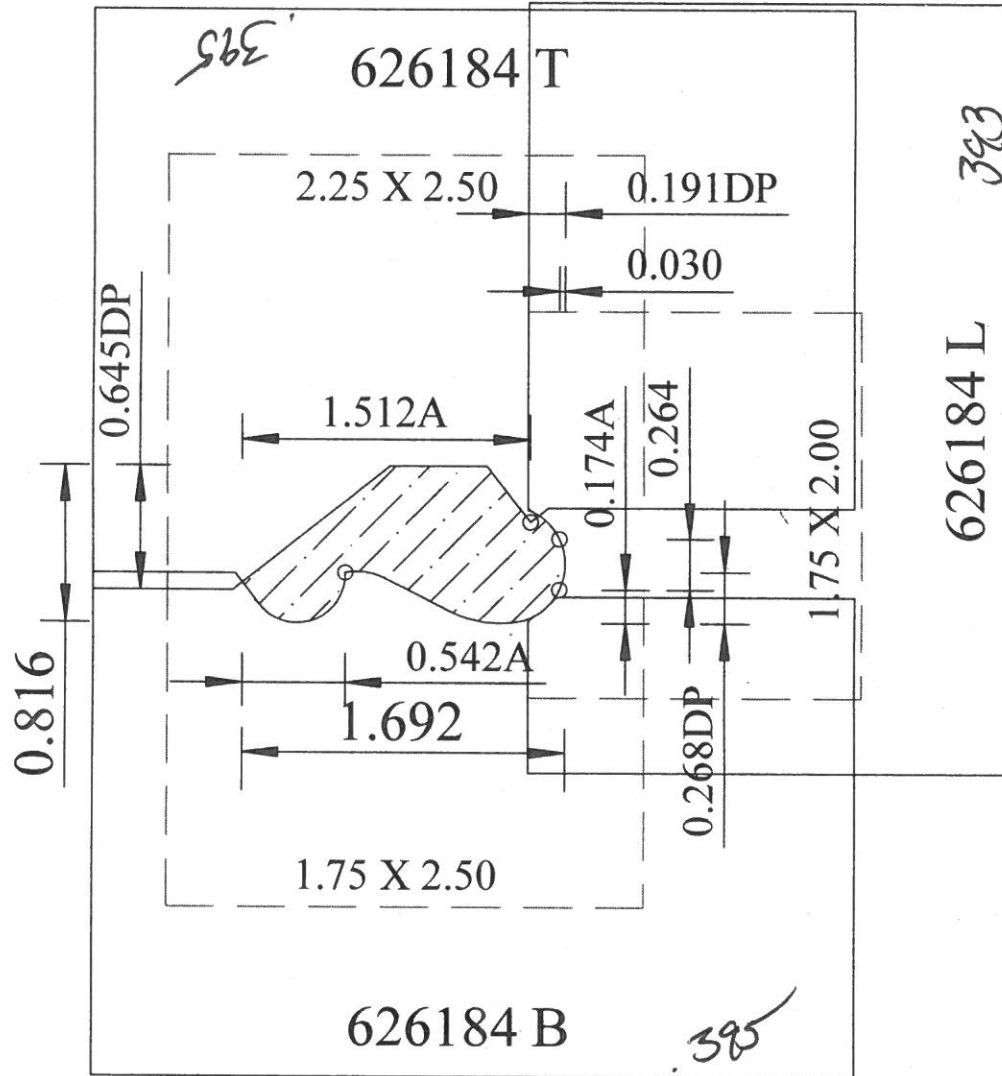
Client Name: _____

Sign for approvals: DRAWN BY: "Michael Neville" Date: _____

THIS DRAWING IS PROPERTY OF WEINIG INC.



G-54



* Custom for Kleiber Const.



FENCE

BED

VIEW FROM OUTFEED

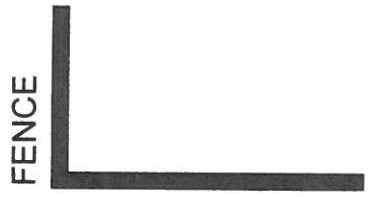
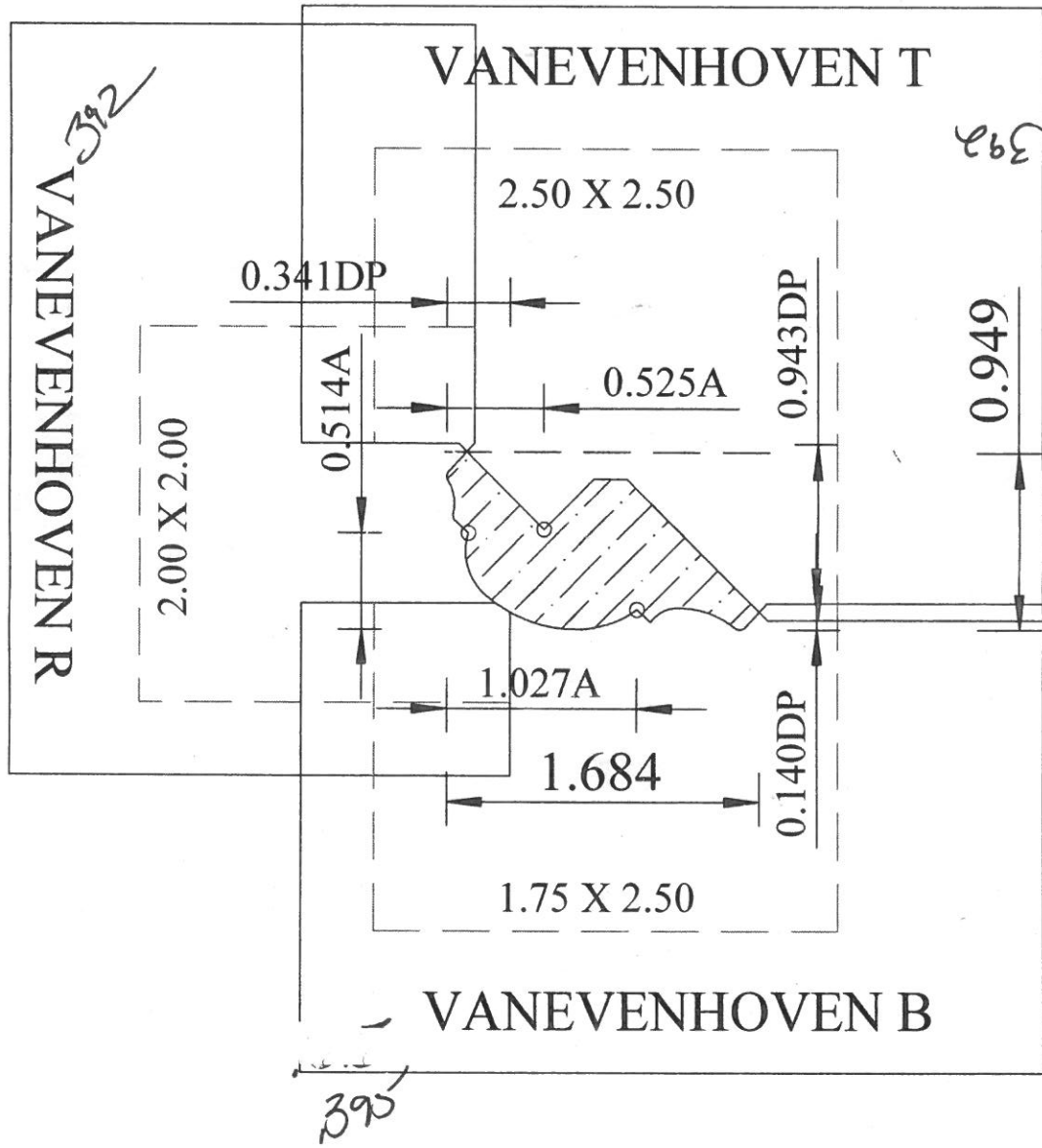
THIS DRAWING IS PROPERTY OF WEINIG INC.

CLIENT NAME: FILLINGER

SIGN FOR APPROVALS: X _____ DATE: _____
DRAWN BY: MARIA ALEMAN



455



BED

VIEW FROM OUTFEED

THIS DRAWING IS PROPERTY OF WEINIG INC.

CLIENT NAME: FILLINGER

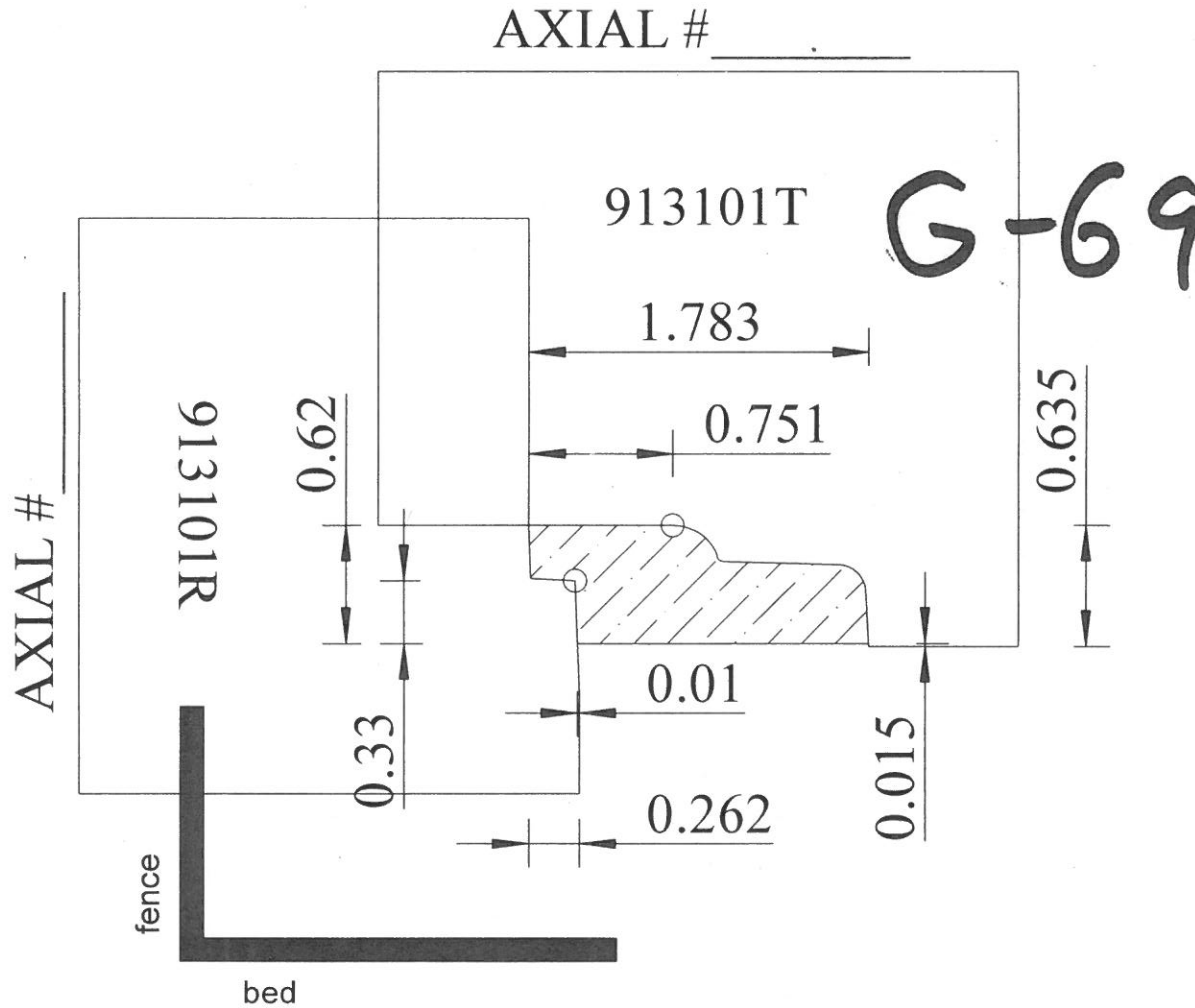
SIGN FOR APPROVALS: X
DRAWN BY: MARIA ALEMAN

DATE: _____



Services Requested & Material Selection
(circle all that apply)

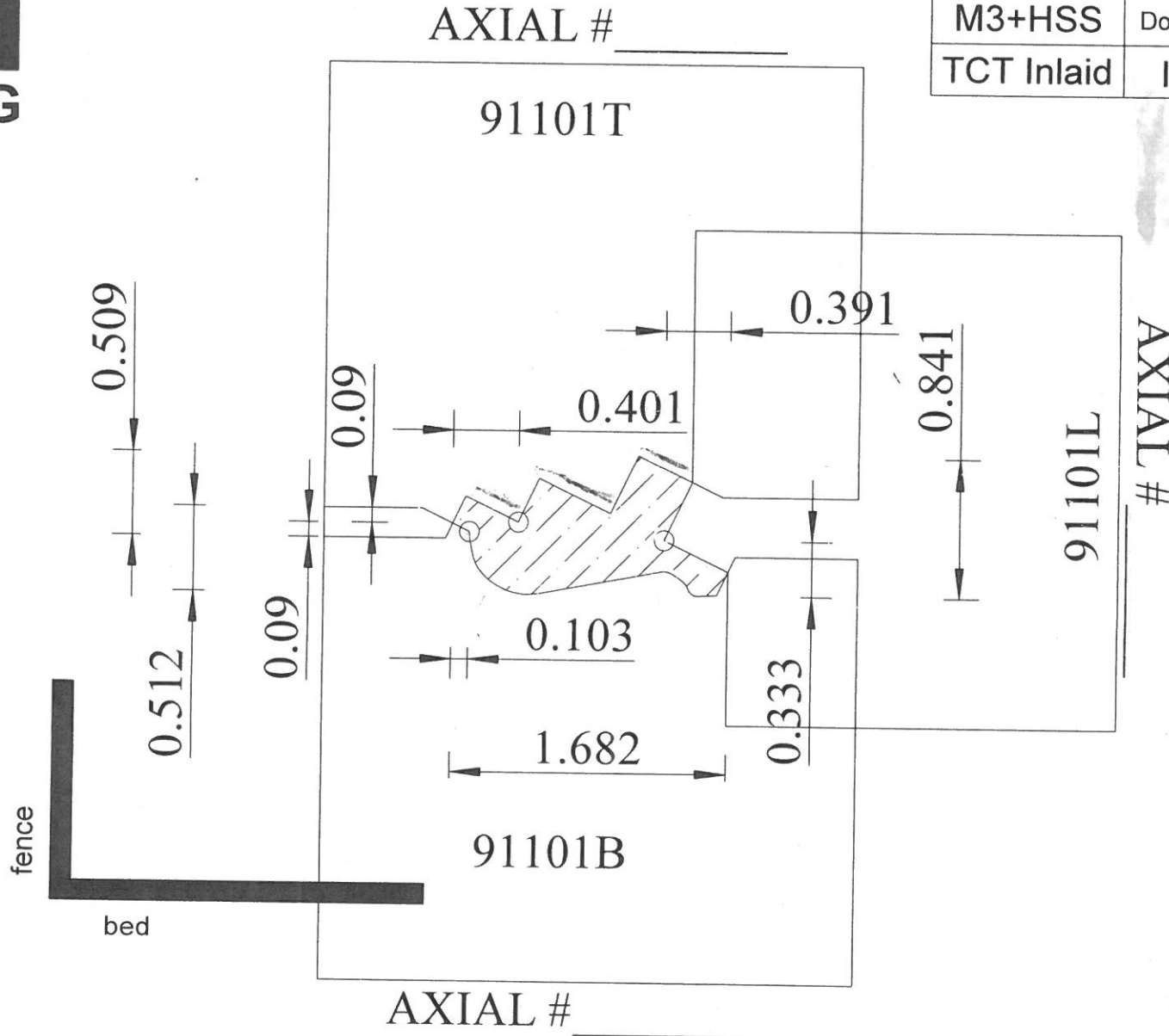
	Finished	Rough
M3+HSS	Double-Back	Supre
TCT Inlaid	Insert	SRS





Services Requested & Material Selection
(circle all that apply)

	Finished	Rough
M3+HSS	Double-Back	Supre
TCT Inlaid	Insert	SRS



G-70

Jason
Lloyd

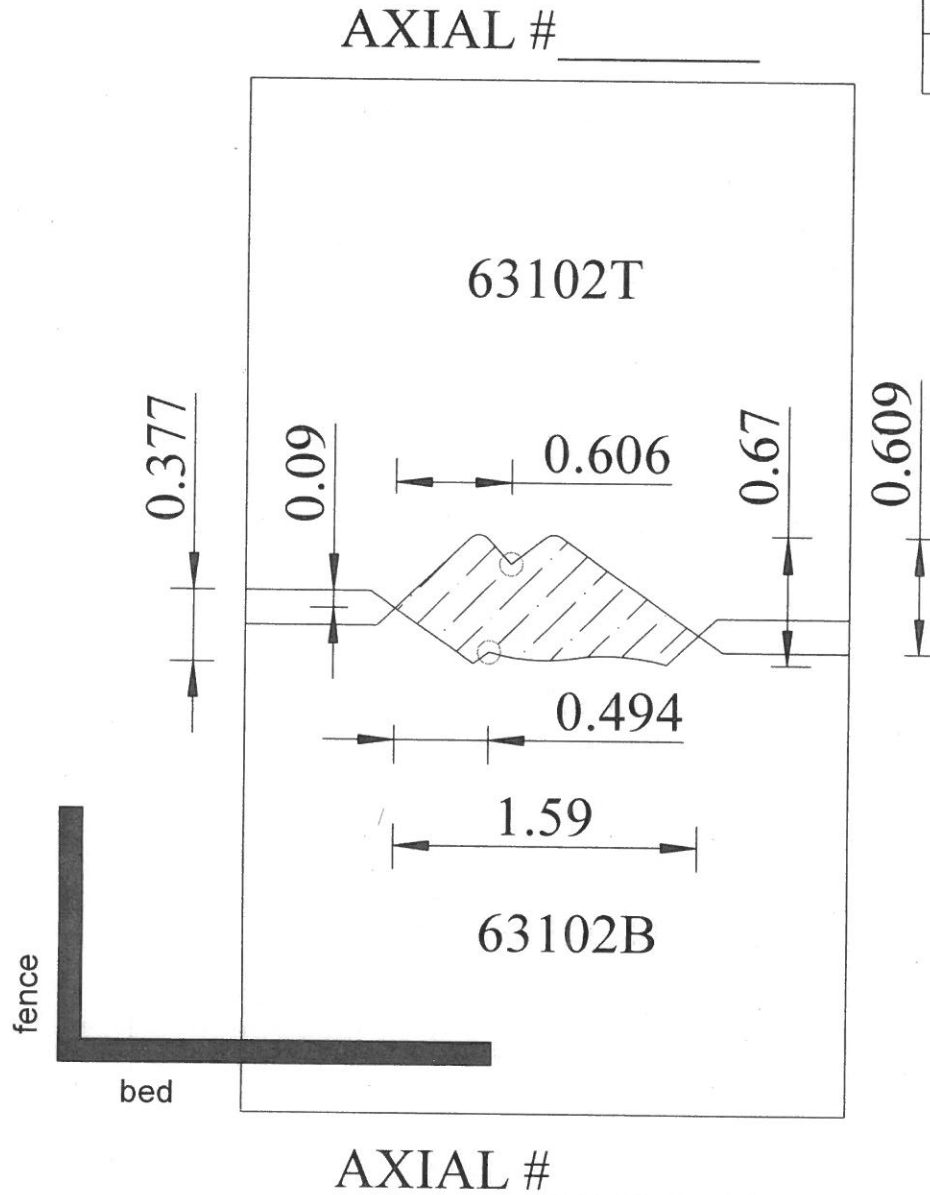
1-800
343-4644
ext
7757



Services Requested & Material Selection
(circle all that apply)

	Finished	Rough
M3+HSS	Double-Back	Supre
TCT Inlaid	Insert	SRS

G-74



Michael Weing, Inc
124 Crosslake Park Drive
 Mooresville, NC 28117

Sign for approval or make changes: _____
DRAWN BY: Jason Lloyd

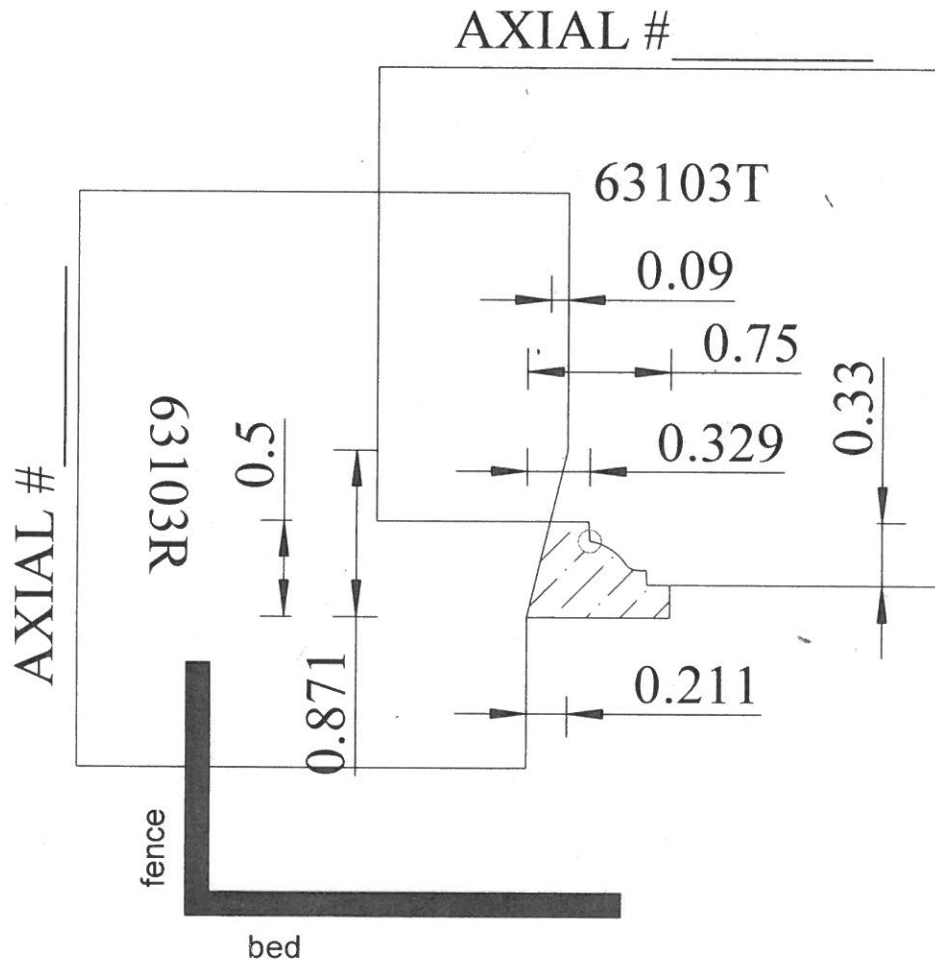
X _____
Thank you



Services Requested & Material Selection
(circle all that apply)

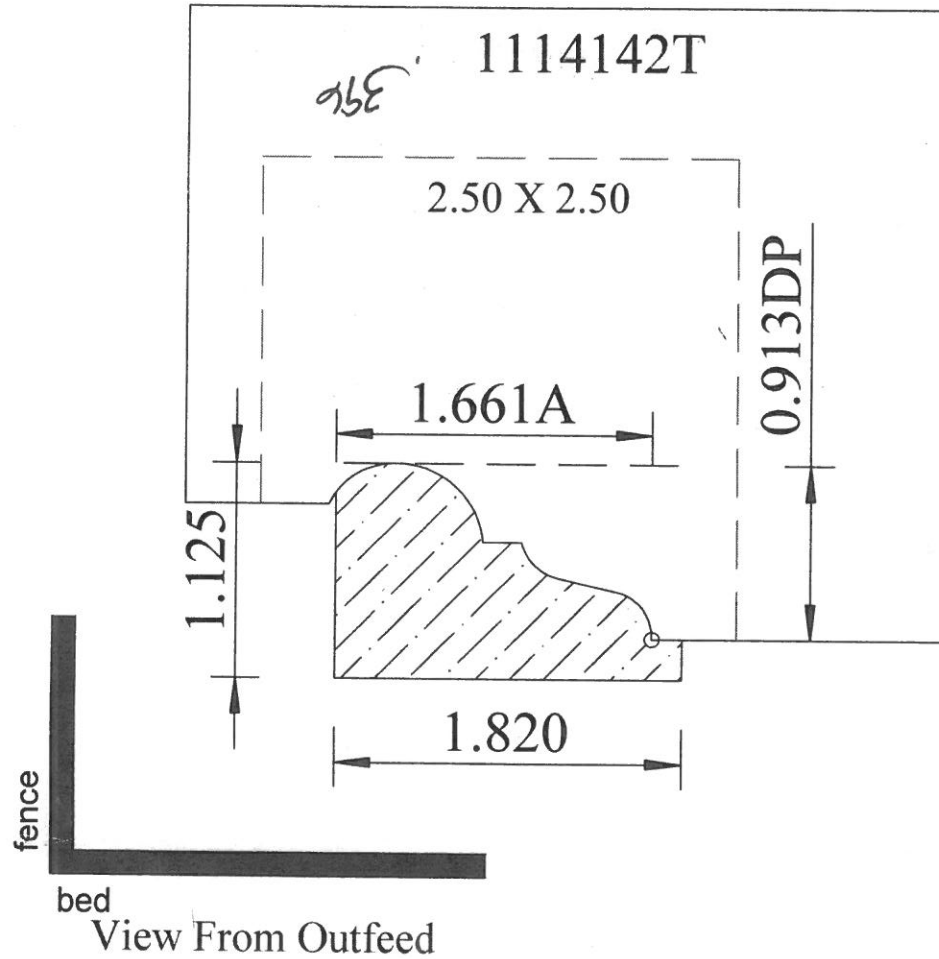
	Finished	Rough
M3+HSS	Double-Back	Supre
TCT Inlaid	Insert	SRS

G-78





G-84



CLIENT NAME: FILLINGER

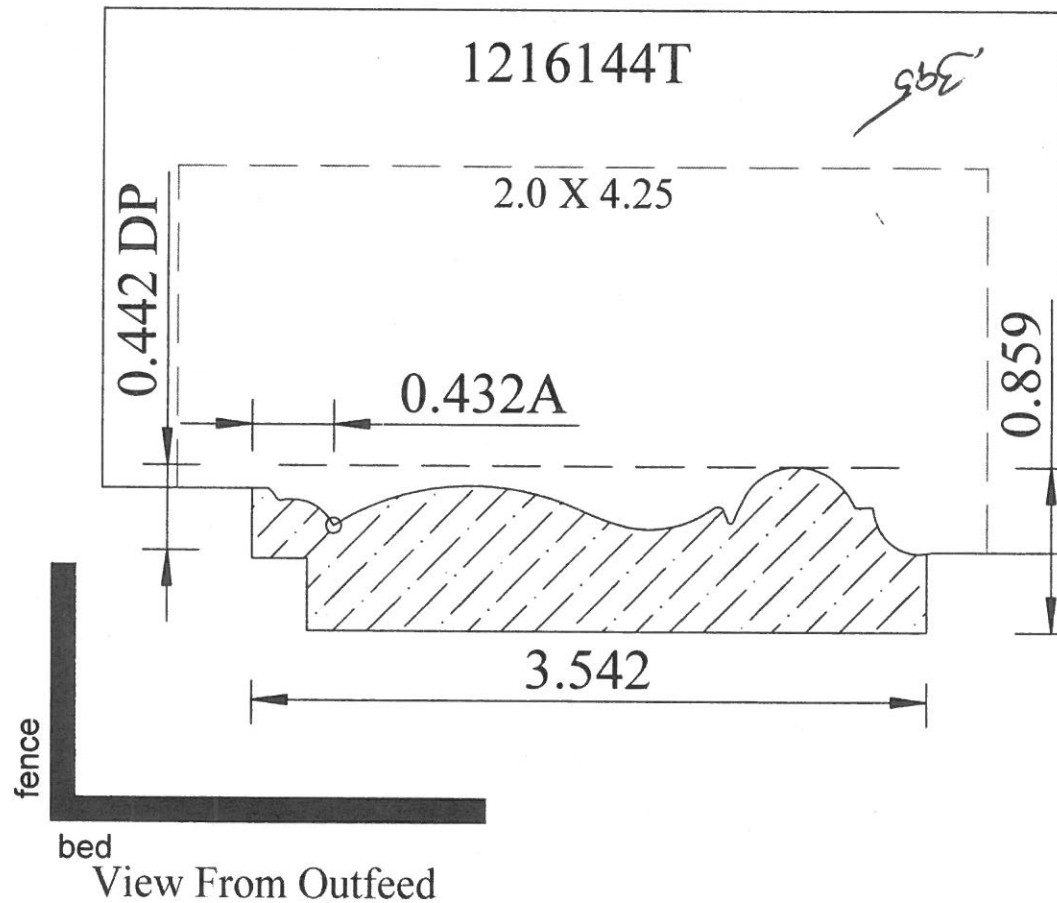
SIGN FOR APPROVALS: X _____
DRAWN BY: MARIA ALEMAN

DATE: _____

THIS DRAWING IS PROPERTY OF WEINIG INC.



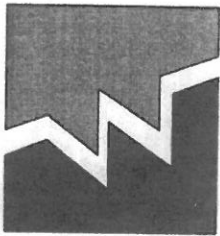
G-90



* Custom for
KLEIBER CONE

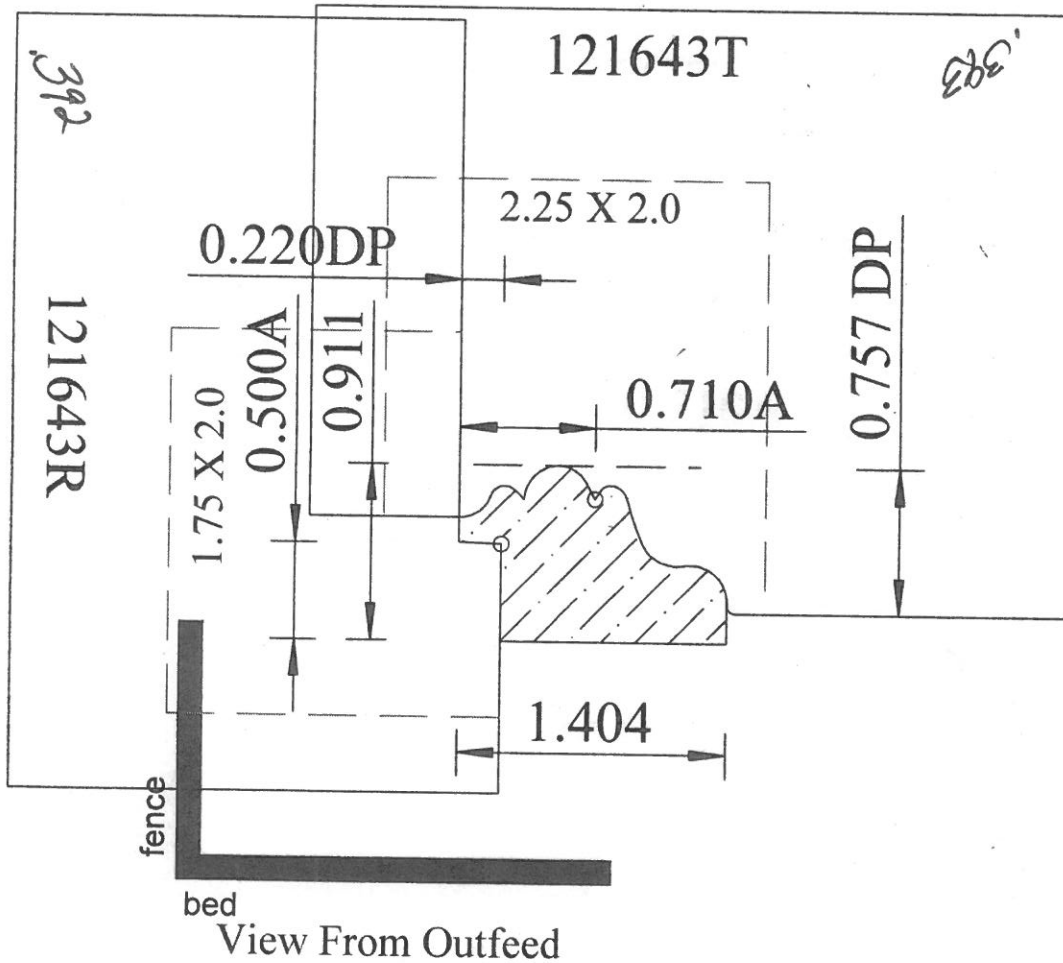
THIS DRAWING IS PROPERTY OF WEINIG INC.

Client Name: _____
Sign for approvals: X _____ Date: _____
DRAWN BY: "Michael Neville"



WEINIG

G-93



* Custom for Kleiber Const.

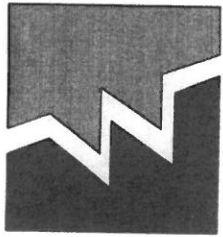
Client Name: FILLINGER INC

Sign for approvals: X

DRAWN BY: "Michael Neville"

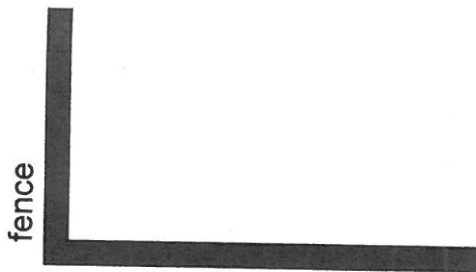
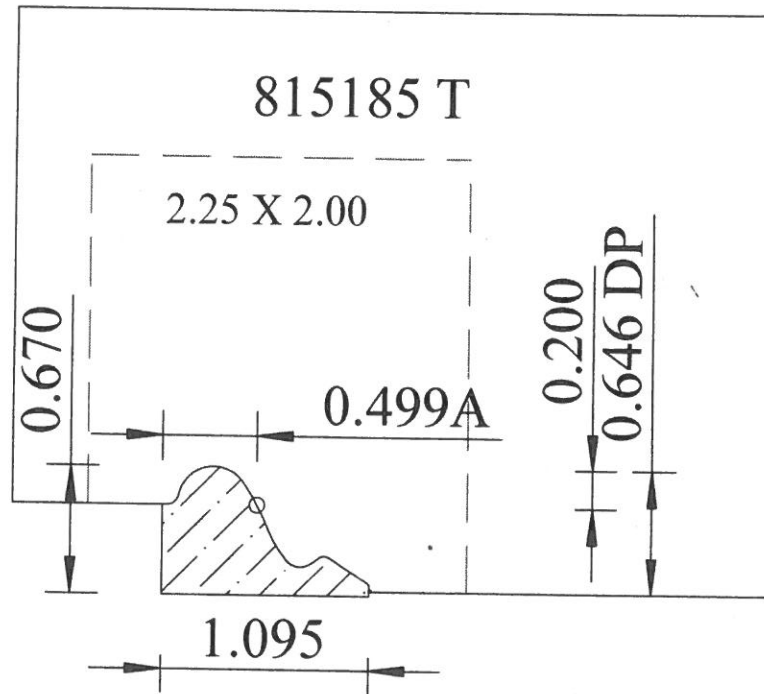
Date: _____

THIS DRAWING IS PROPERTY OF WEINIG INC.



WEINIG

H-53



View From Outfeed

*Custom for
R.P Custom Home

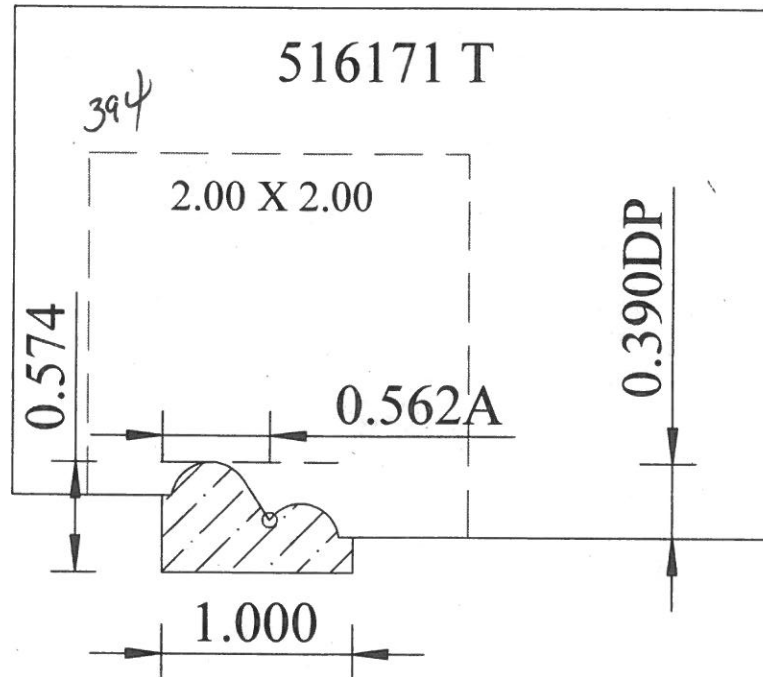
Client Name: FILLINGER

Sign for approvals: X
DRAWN BY: "Igor Arsenovich" Date: _____

THIS DRAWING IS PROPERTY OF WEINIG INC.



H-70



* Custom for
ERIC GROSS



FENCE

BED

VIEW FROM OUTFEED

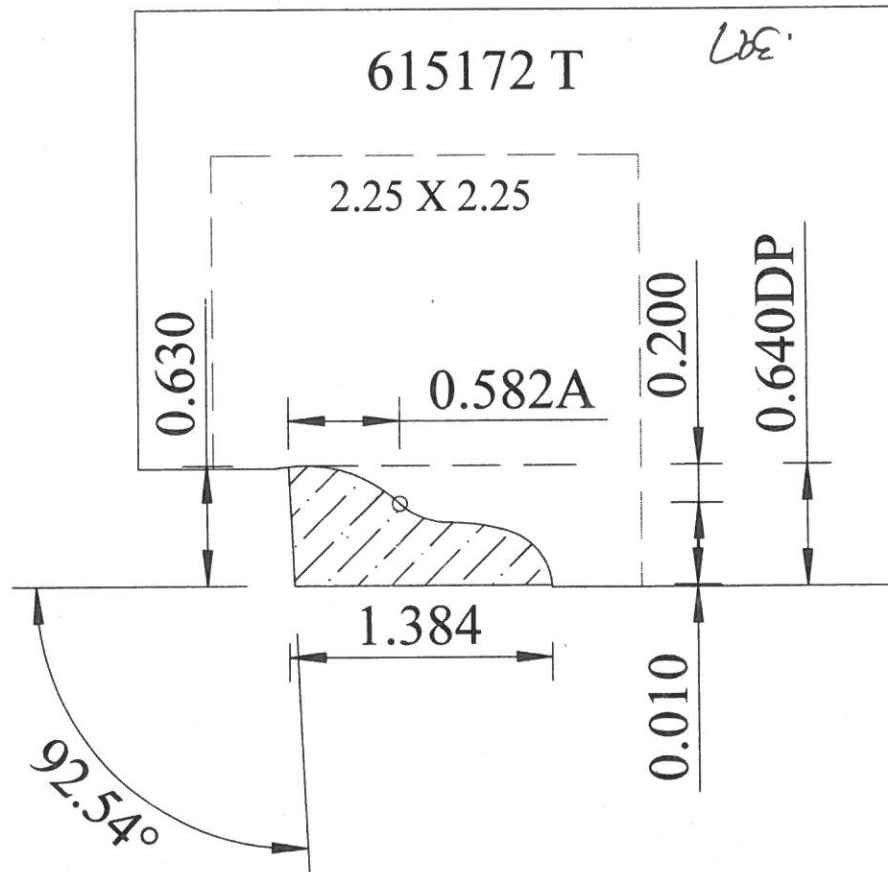
THIS DRAWING IS PROPERTY OF WEINIG INC.

CLIENT NAME: FILLINGER

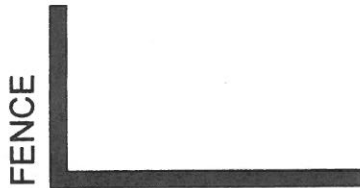
SIGN FOR APPROVALS: X _____ DATE: _____
DRAWN BY: MARIA ALEMAN



H-71



* Custom for
Denton Jones



FENCE

BED

VIEW FROM OUTFEED

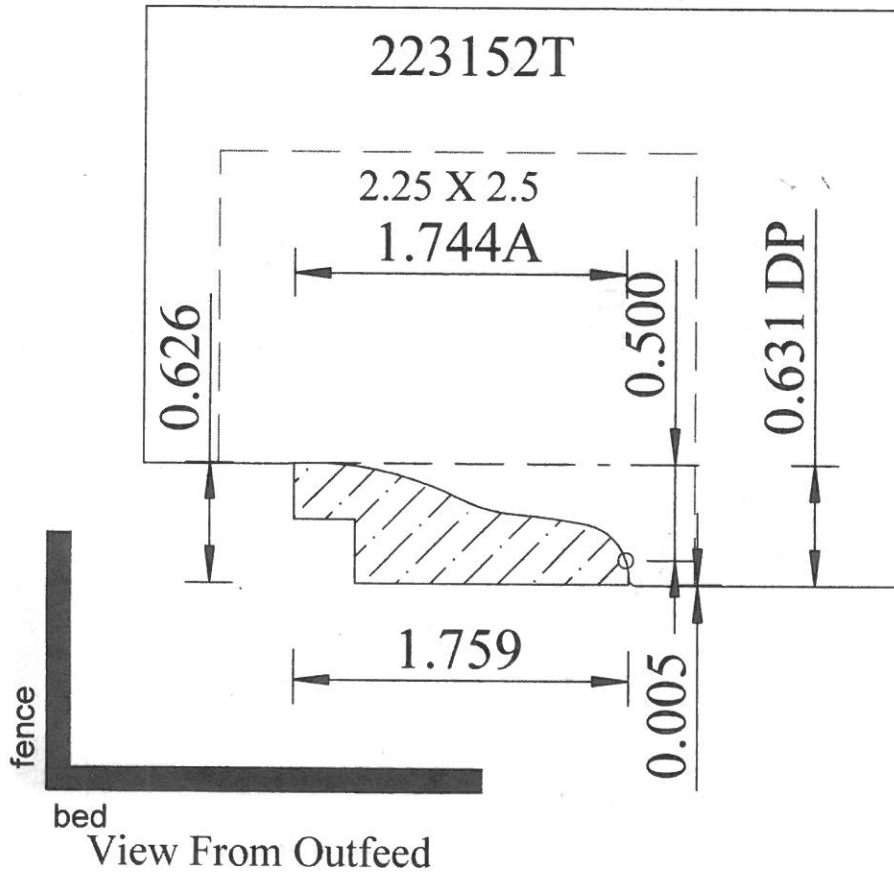
THIS DRAWING IS PROPERTY OF WEINIG INC.

CLIENT NAME: FILLINGER

SIGN FOR APPROVALS: X _____ DATE: _____
DRAWN BY: MARIA ALEMAN



H-81



* Custom for
Steve
MATHORY

Client Name: FILLINGER INC

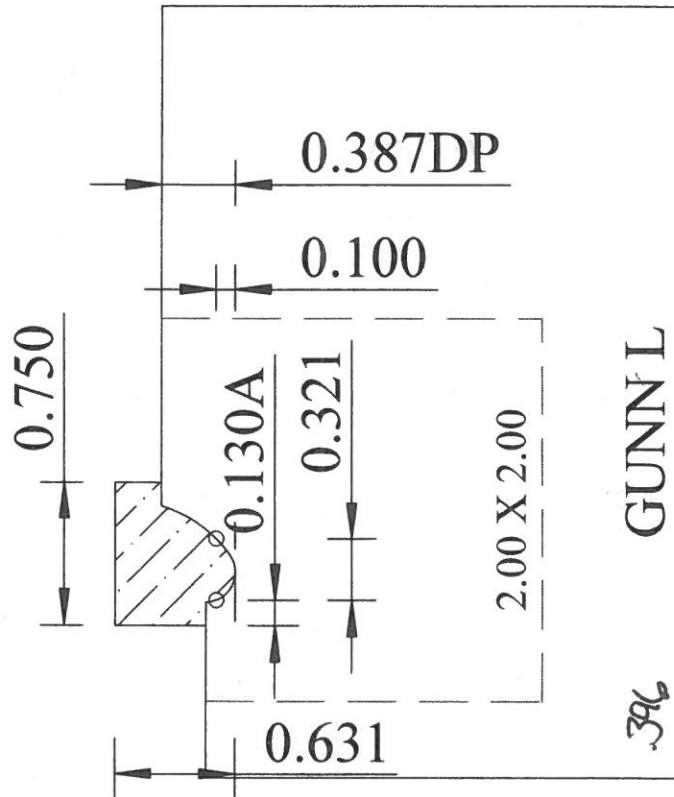
Sign for approvals: X Date: _____
DRAWN BY: "Michael Neville"

THIS DRAWING IS PROPERTY OF WEINIG INC.



WEINIG

I-71



View From Outfeed

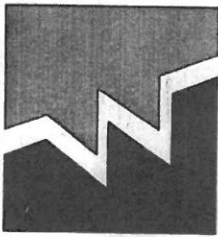
THIS DRAWING IS PROPERTY OF WEINIG INC.

* Custom for
JA and Company
(Gunn Res.)

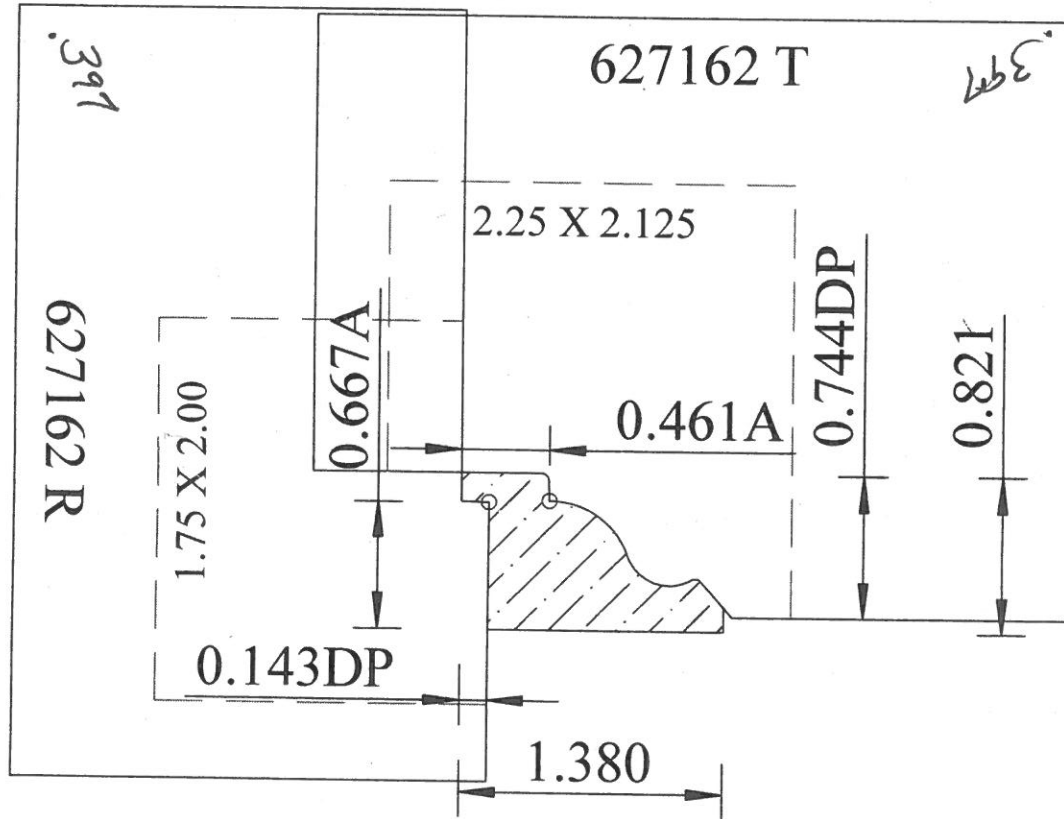
CLIENT NAME: FILLINGER

SIGN FOR APPROVALS: X _____ DATE: _____
DRAWN BY: MARIA ALEMAN

I-77



WEINIG



fence

bed

View From Outfeed

THIS DRAWING IS PROPERTY OF WEINIG INC.

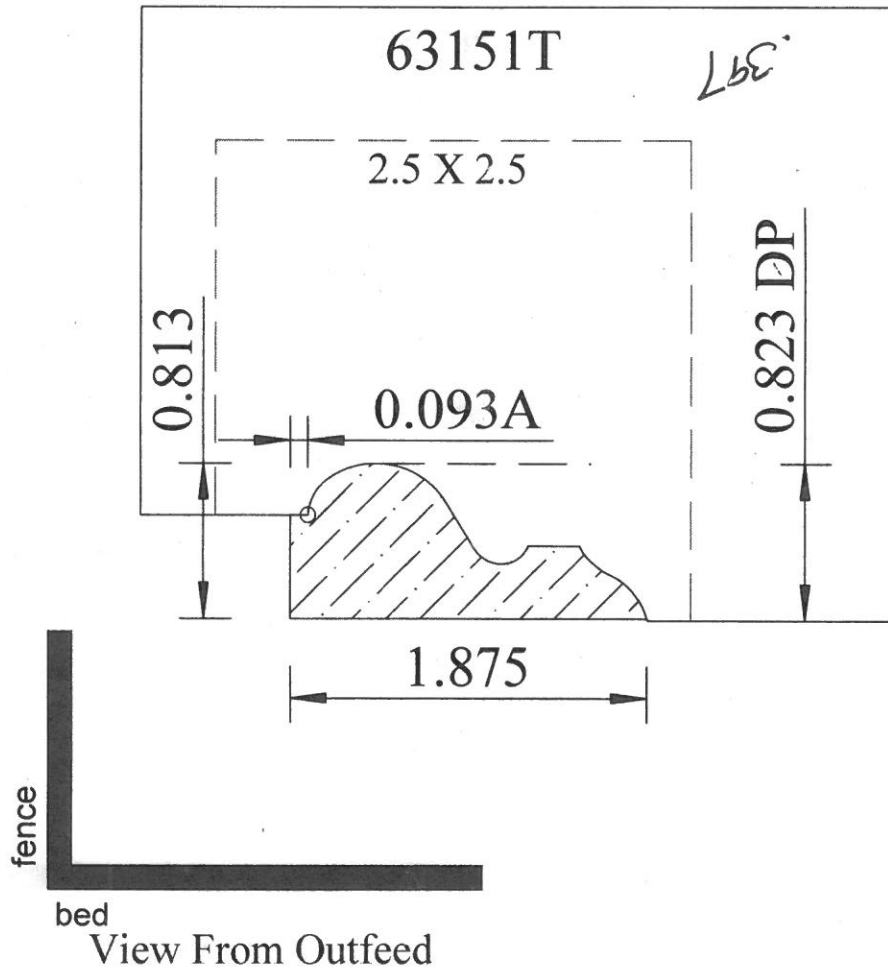
CLIENT NAME: FILLINGER

SIGN FOR APPROVALS: X _____
DRAWN BY: MARIA ALEMAN

DATE: _____



I-82



* Custom for
Greg Foster

Client Name: FILLINGER INC

Sign for approvals: X Date: _____

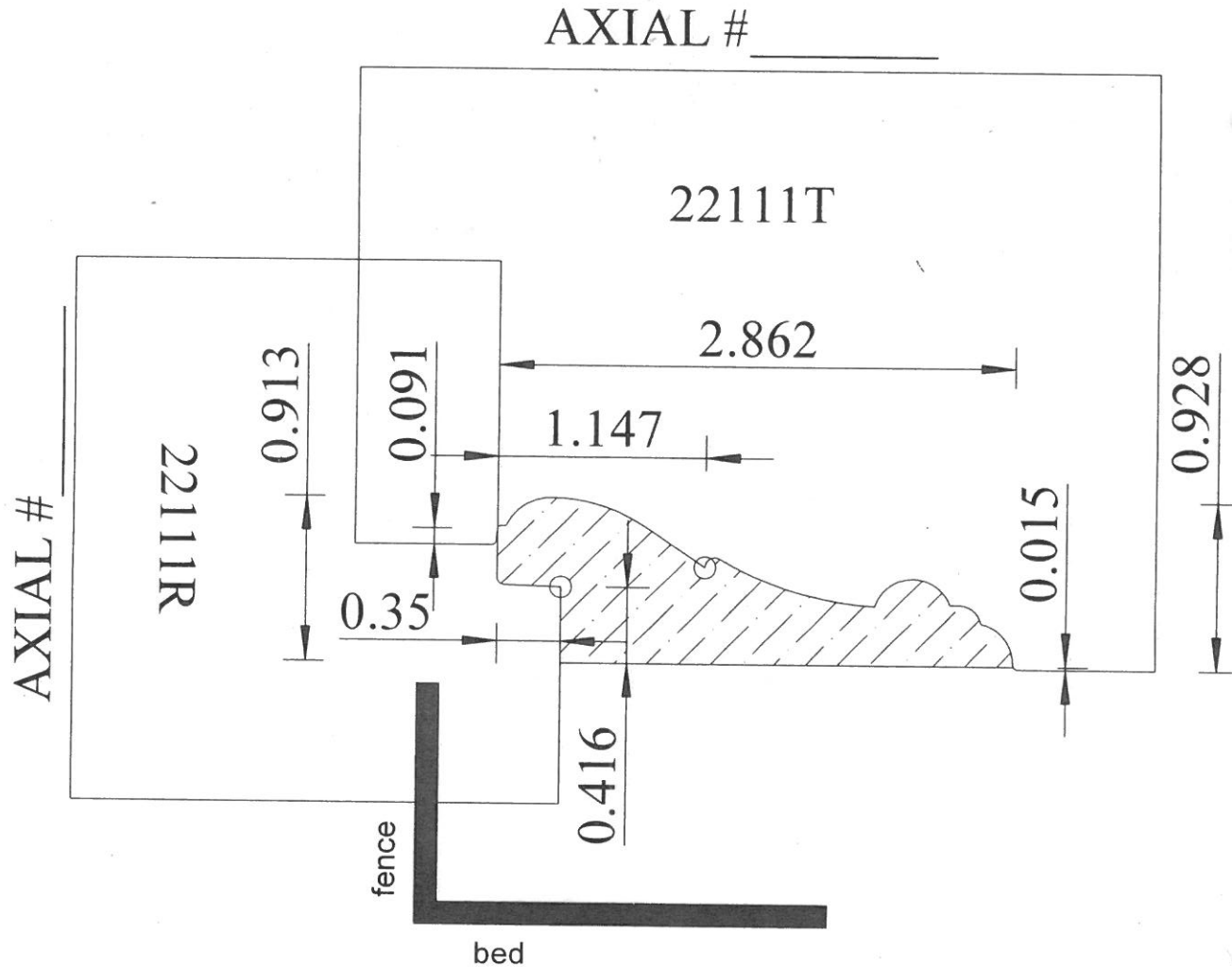
DRAWN BY: "Michael Neville"

THIS DRAWING IS PROPERTY OF WEINIG INC.



Services Requested & Material Selection
(circle all that apply)

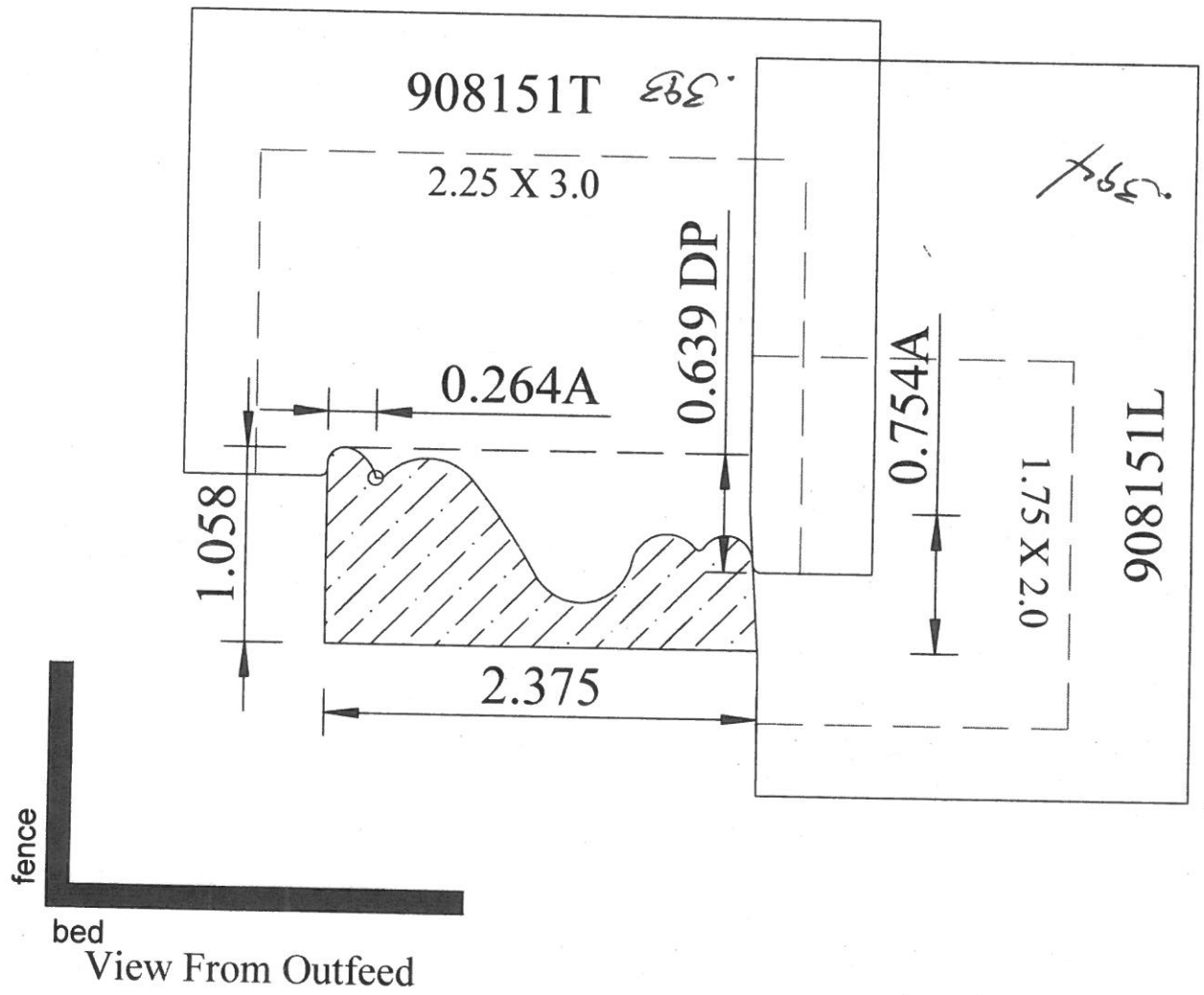
	Finished	Rough
M3+HSS	Double-Back	Supre
TCT Inlaid	Insert	SRS



2 3/8 steel



J-82



* Custom for David Henderson

Client Name: FILLINGER INC

Sign for approvals: X

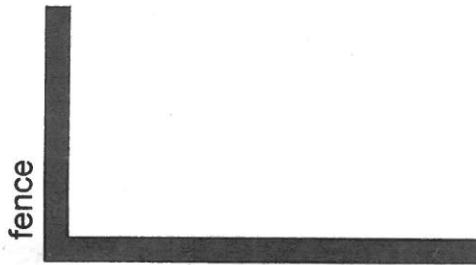
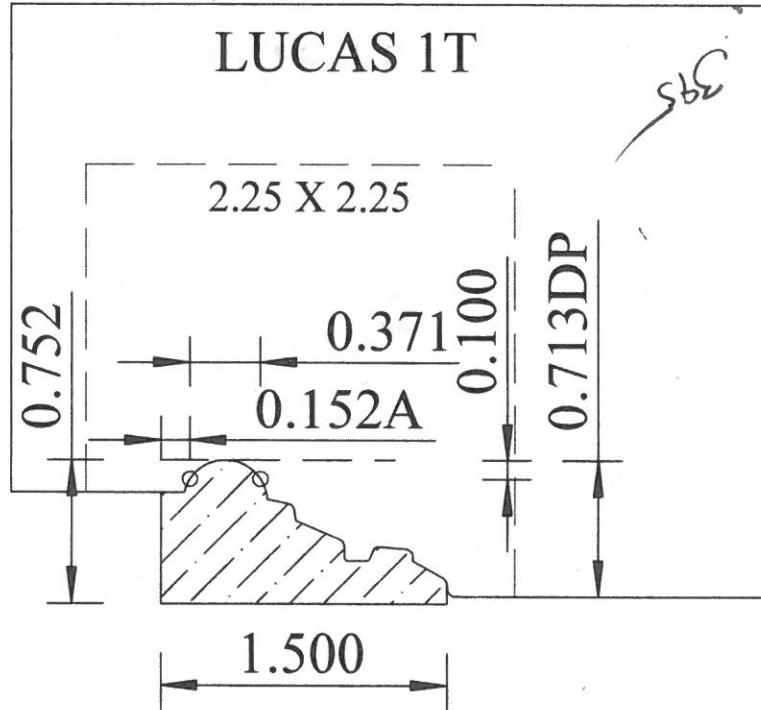
DRAWN BY: "Michael Neville"

Date: _____

THIS DRAWING IS PROPERTY OF WEINIG INC.



J-88



* Custom for Paula Lucas

View From Outfeed

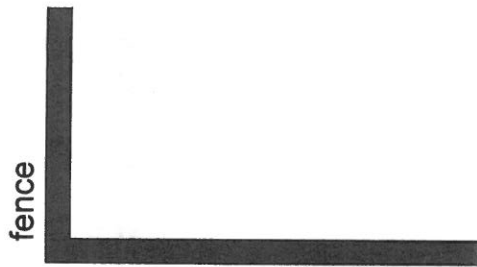
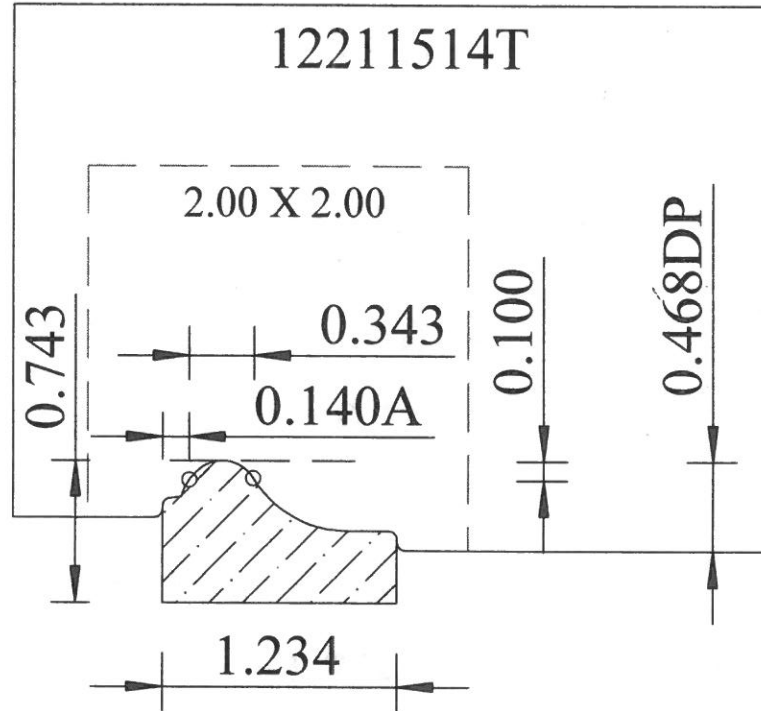
CLIENT NAME: FILLINGER

SIGN FOR APPROVALS: X _____ DATE: _____
DRAWN BY: MARIA ALEMAN

THIS DRAWING IS PROPERTY OF WEINIG INC.



J-92
Profile®



View From Outfeed

*Custom for
Jim Construction

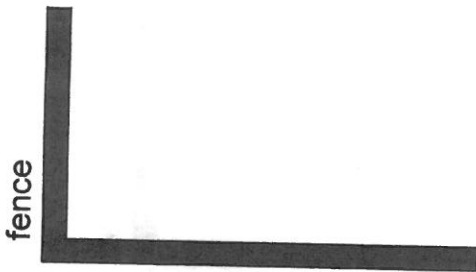
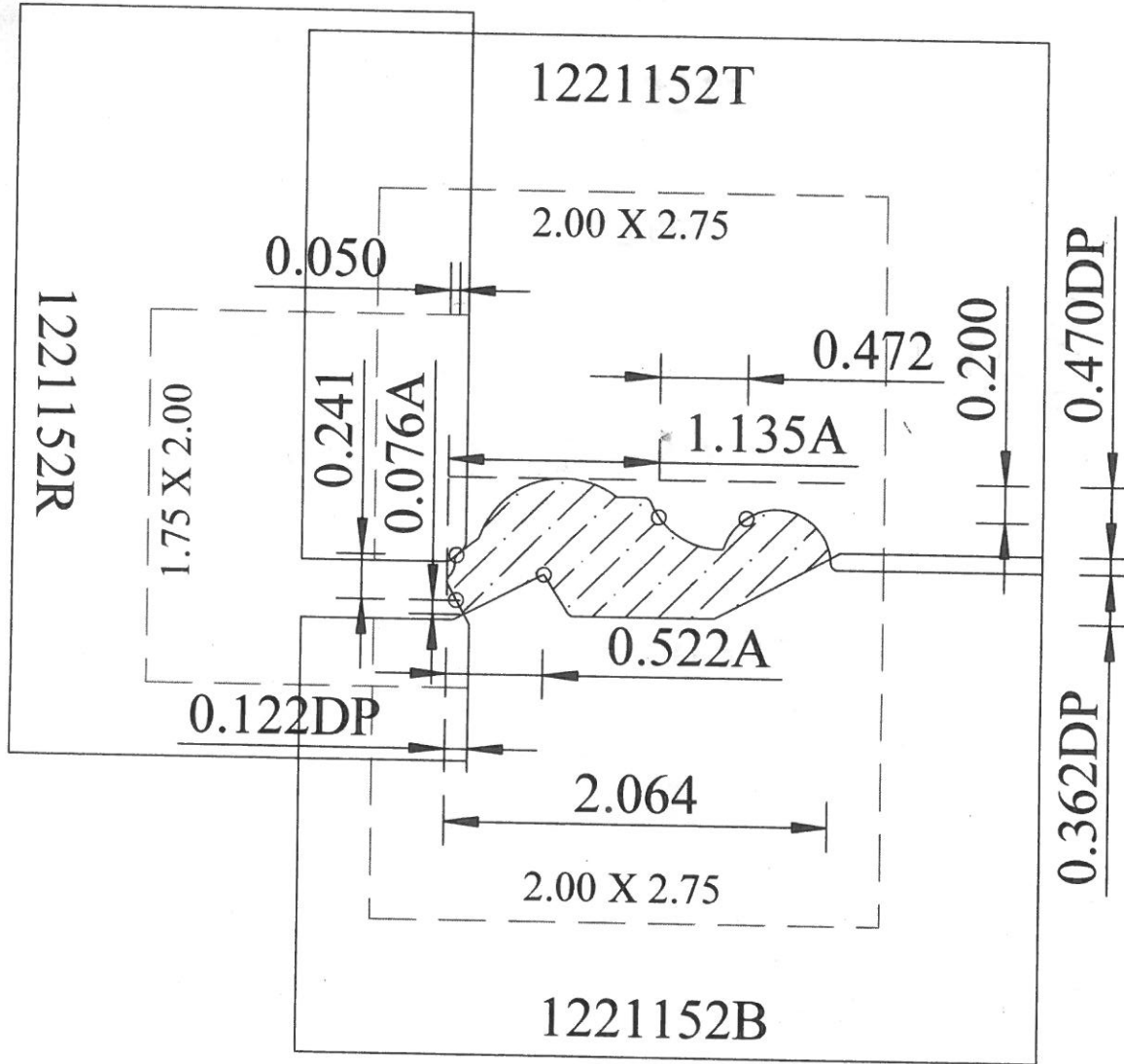
THIS DRAWING IS PROPERTY OF WEINIG INC.

CLIENT NAME: FILLINGER (Baltman Residence)
 SIGN FOR APPROVALS: X _____ DATE: _____
 DRAWN BY: MARIA ALEMAN



J-96

Profile (B)



fence

bed

View From Outfeed

* Custom for
gm construction
(Baltman Residence)

CLIENT NAME: FILLINGER

SIGN FOR APPROVALS: X _____

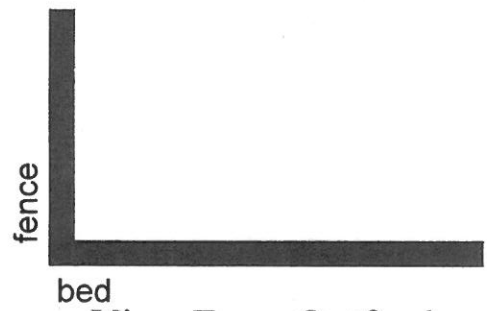
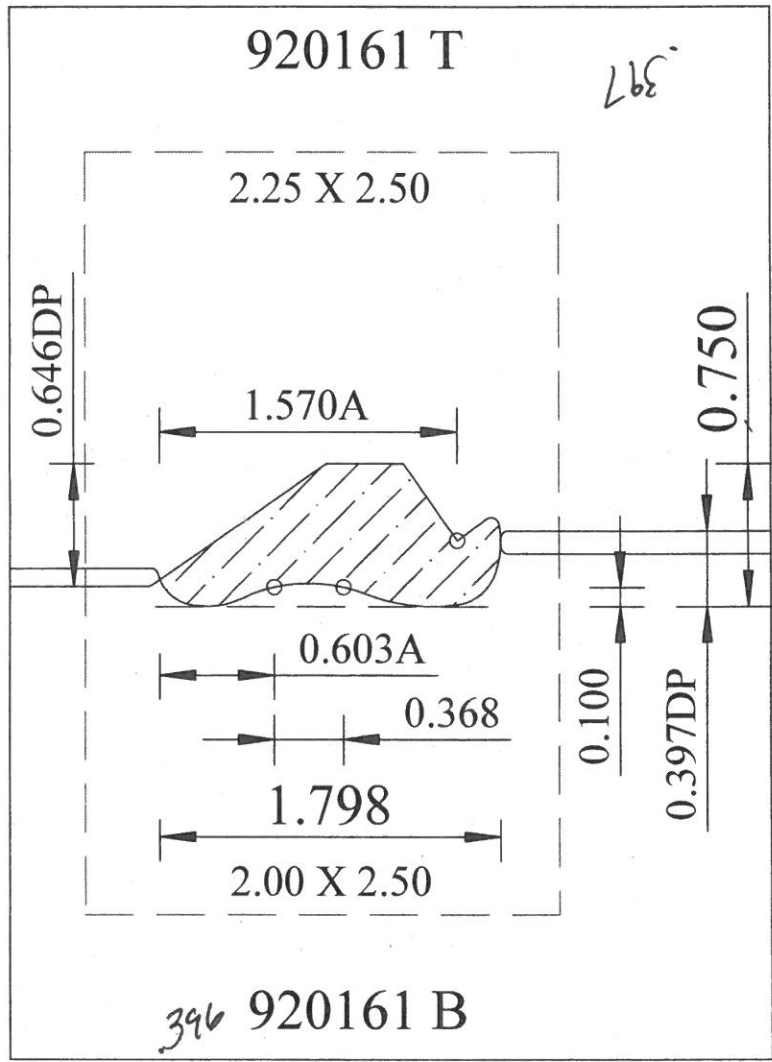
DATE: _____

DRAWN BY: MARIA ALEMAN

THIS DRAWING IS PROPERTY OF WEINIG INC.



K-63



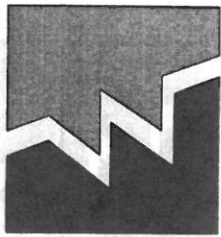
* Custom for BRIAN Seigl

View From Outfeed

CLIENT NAME: FILLINGER

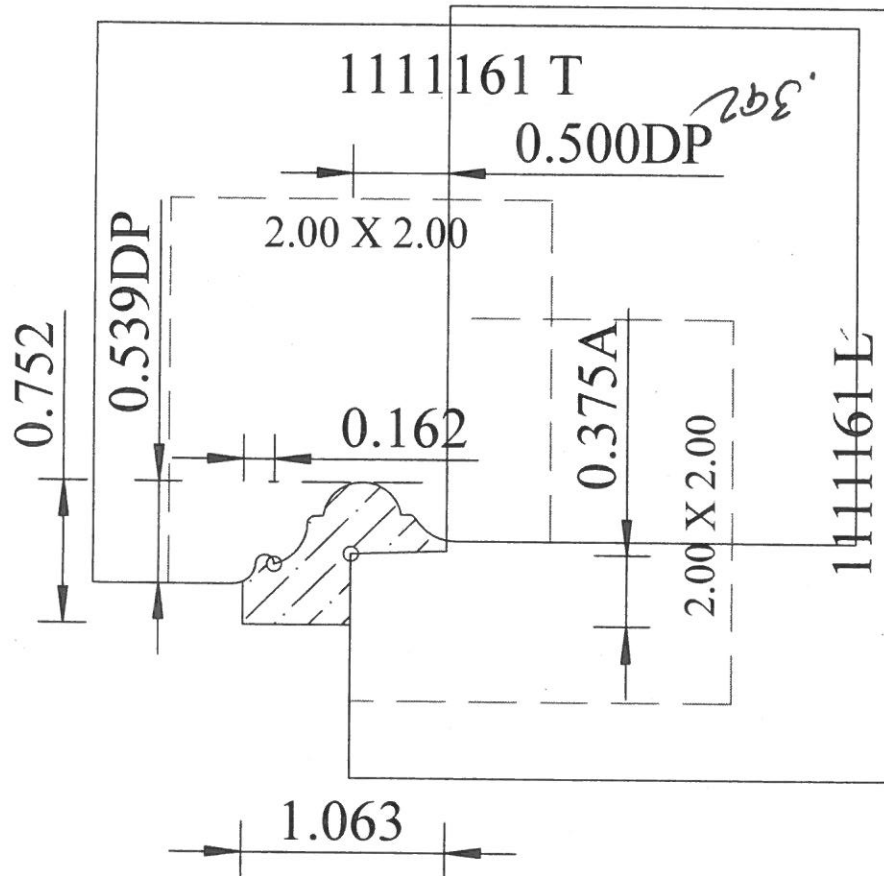
SIGN FOR APPROVALS: X _____ DATE: _____
DRAWN BY: MARIA ALEMAN

THIS DRAWING IS PROPERTY OF WEINIG INC.

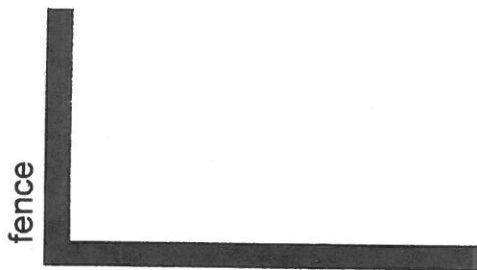


WEINIG

K-72



*Custom for
Inovations
Custom
Doors



fence

bed

View From Outfeed

THIS DRAWING IS PROPERTY OF WEINIG INC.

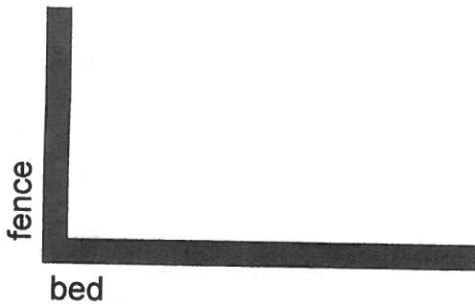
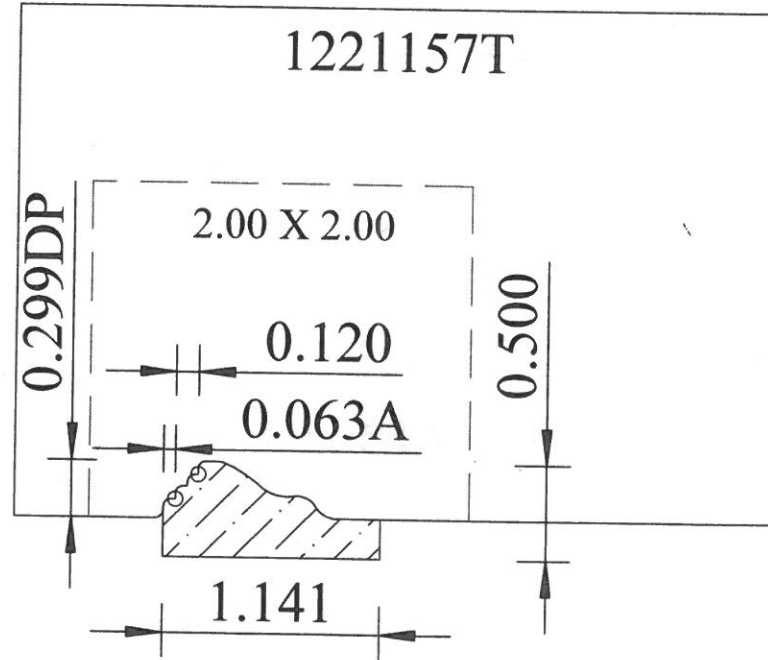
CLIENT NAME: FILLINGER

SIGN FOR APPROVALS: X _____
DRAWN BY: MARIA ALEMAN

DATE: _____



K-82
Profile (I)



* Custom for
Jim Construction

View From Outfeed

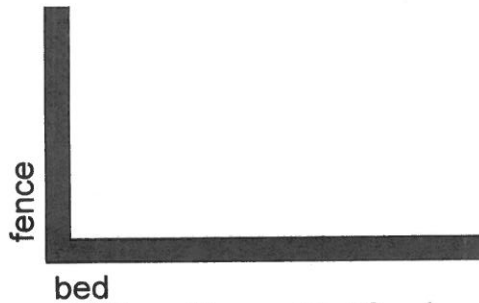
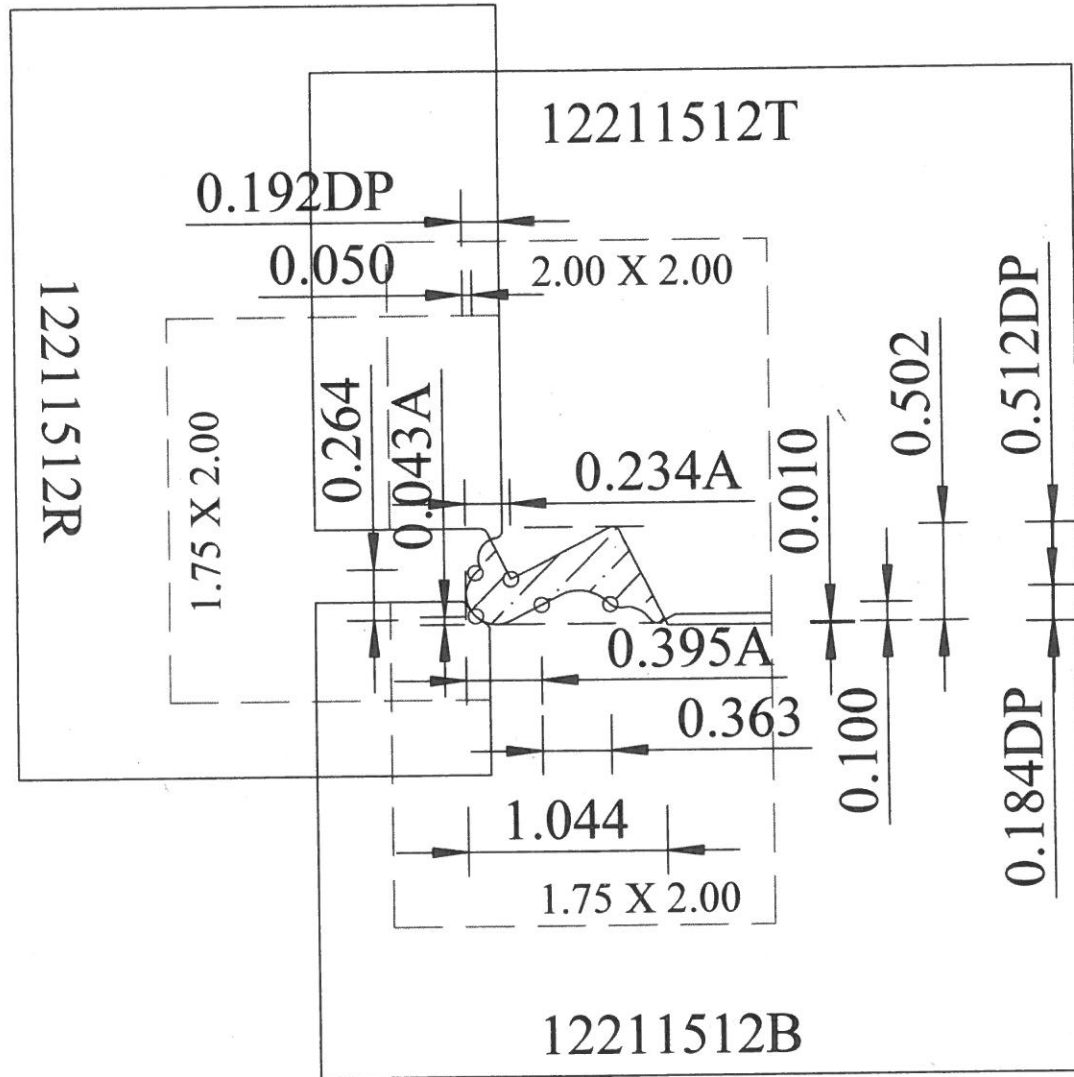
THIS DRAWING IS PROPERTY OF WEINIG INC.

CLIENT NAME: FILLINGER (Bultman Res)

SIGN FOR APPROVALS: X _____ DATE: _____
DRAWN BY: MARIA ALEMAN



K-89
Profile



View From Outfeed

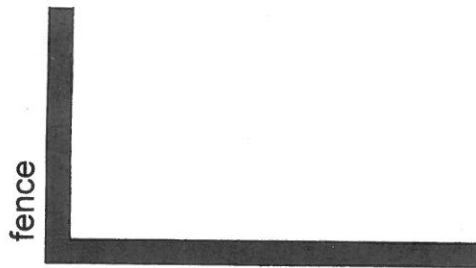
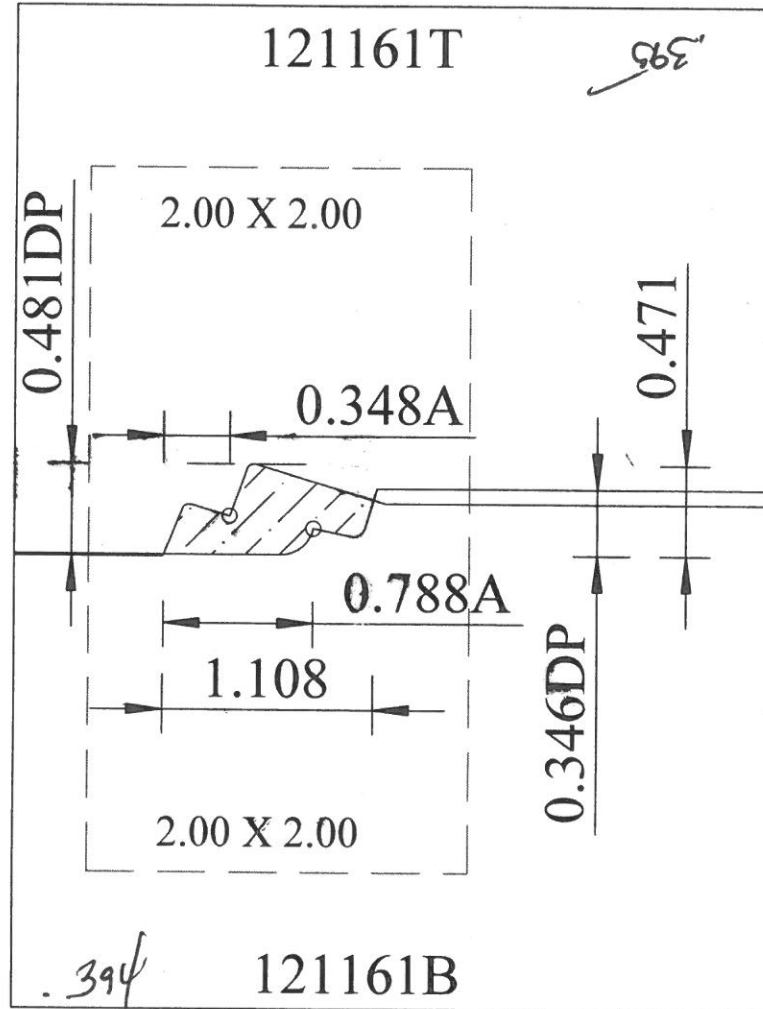
THIS DRAWING IS PROPERTY OF WEINIG INC.

* Custom for
Jim Construction

CLIENT NAME: FILLINGER / *Bullman Residence*
 SIGN FOR APPROVALS: X _____ DATE: _____
 DRAWN BY: MARIA ALEMAN



K-91



*Custom for
Jim Constructi
Pine Lake

View From Outfeed

CLIENT NAME: FILLINGER

SIGN FOR APPROVALS: X _____
DRAWN BY: MARIA ALEMAN

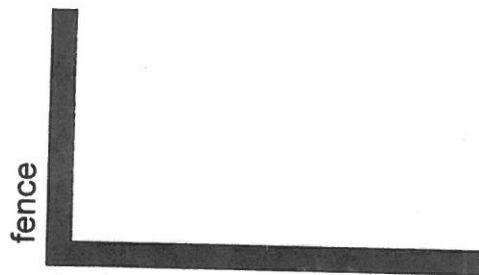
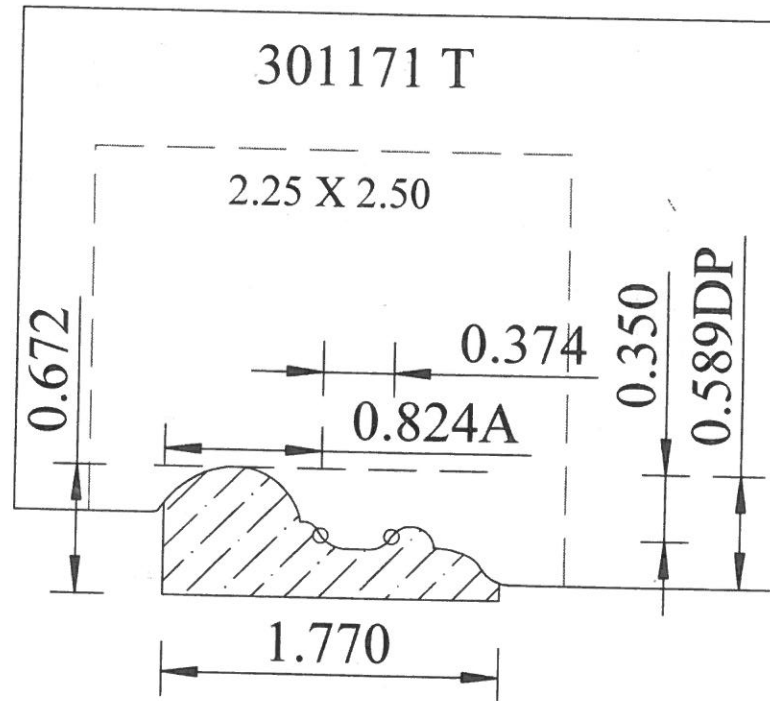
DATE: _____

THIS DRAWING IS PROPERTY OF WEINIG INC.



WEINIG

L-75



fence

bed

View From Outfeed

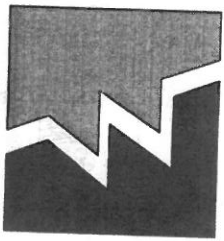
*Custom for
BARTHEN HEIER CONST.

THIS DRAWING IS PROPERTY OF WEINIG INC.

CLIENT NAME: FILLINGER

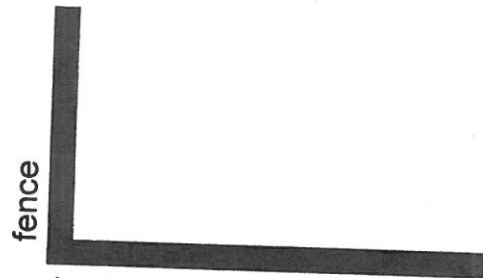
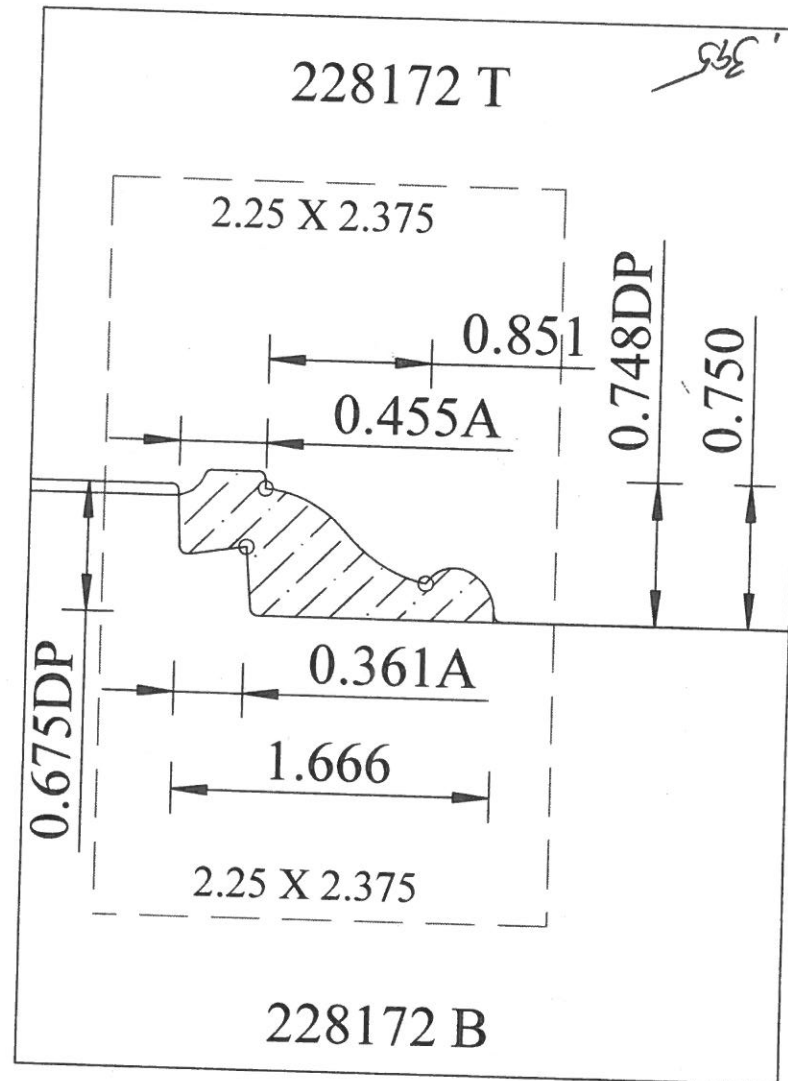
SIGN FOR APPROVALS: X _____
DRAWN BY: MARIA ALEMAN

DATE: _____



WEINIG

L-76



* Custom for Kevin SASO

View From Outfeed

THIS DRAWING IS PROPERTY OF WEINIG INC.

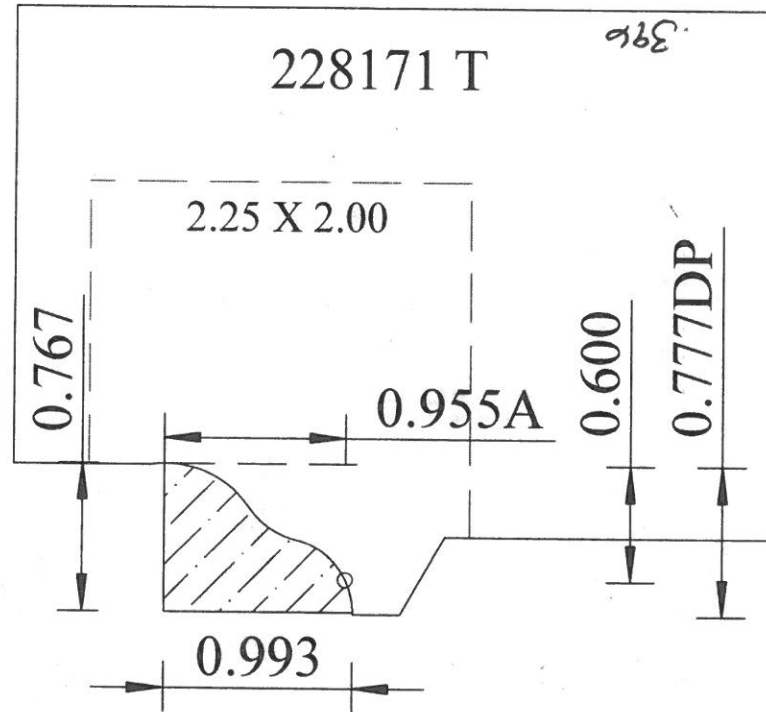
CLIENT NAME: FILLINGER

SIGN FOR APPROVALS: X
DRAWN BY: MARIA ALEMAN

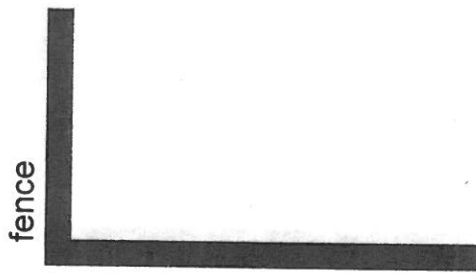
DATE: _____



L-77



*Custom for
Kevin SASO



fence

bed

View From Outfeed

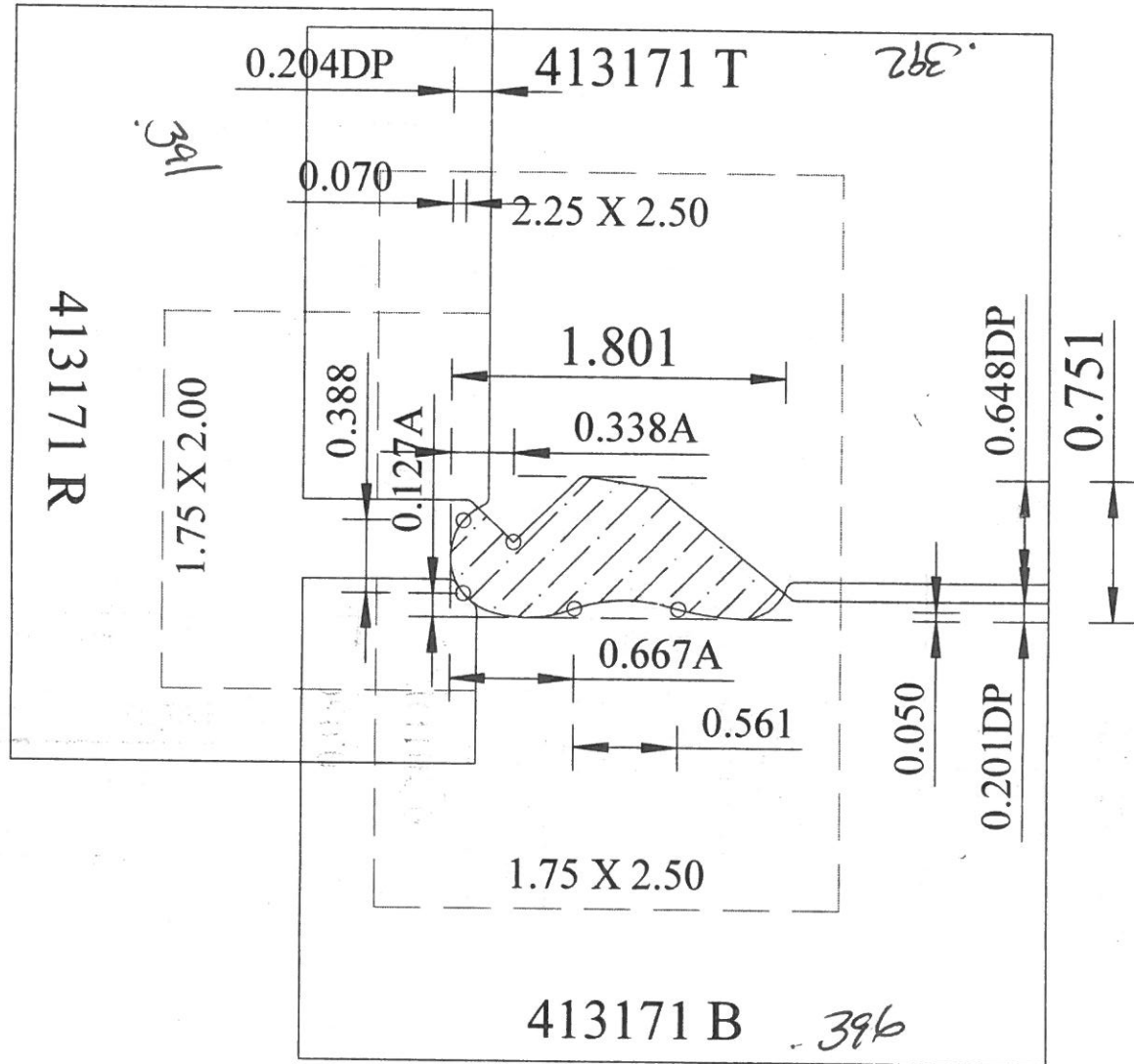
THIS DRAWING IS PROPERTY OF WEINIG INC.

CLIENT NAME: FILLINGER

SIGN FOR APPROVALS: X _____ DATE: _____
DRAWN BY: MARIA ALEMAN



L-78



* Custom for Bonerz home



BED

VIEW FROM OUTFEED

THIS DRAWING IS PROPERTY OF WEINIG INC.

CLIENT NAME: FILLINGER

SIGN FOR APPROVALS: X _____
DRAWN BY: MARIA ALEMAN

DATE: _____

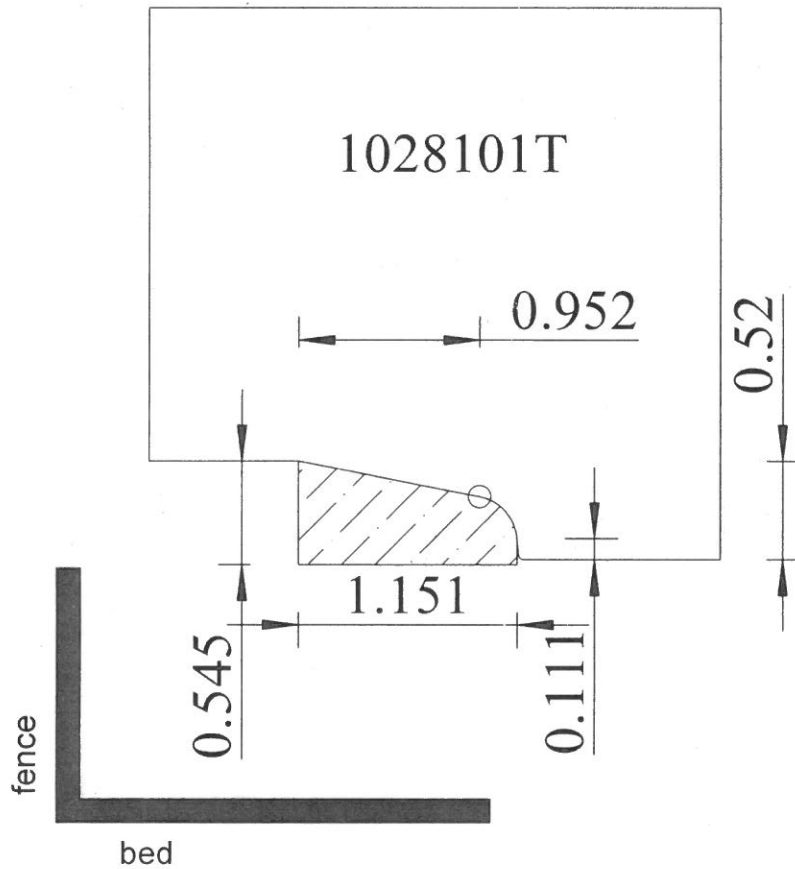


N-59

Services Requested & Material Selection
(circle all that apply)

	Finished	Rough
M3+HSS	Double-Back	Supre
TCT Inlaid	Insert	SRS

AXIAL # _____

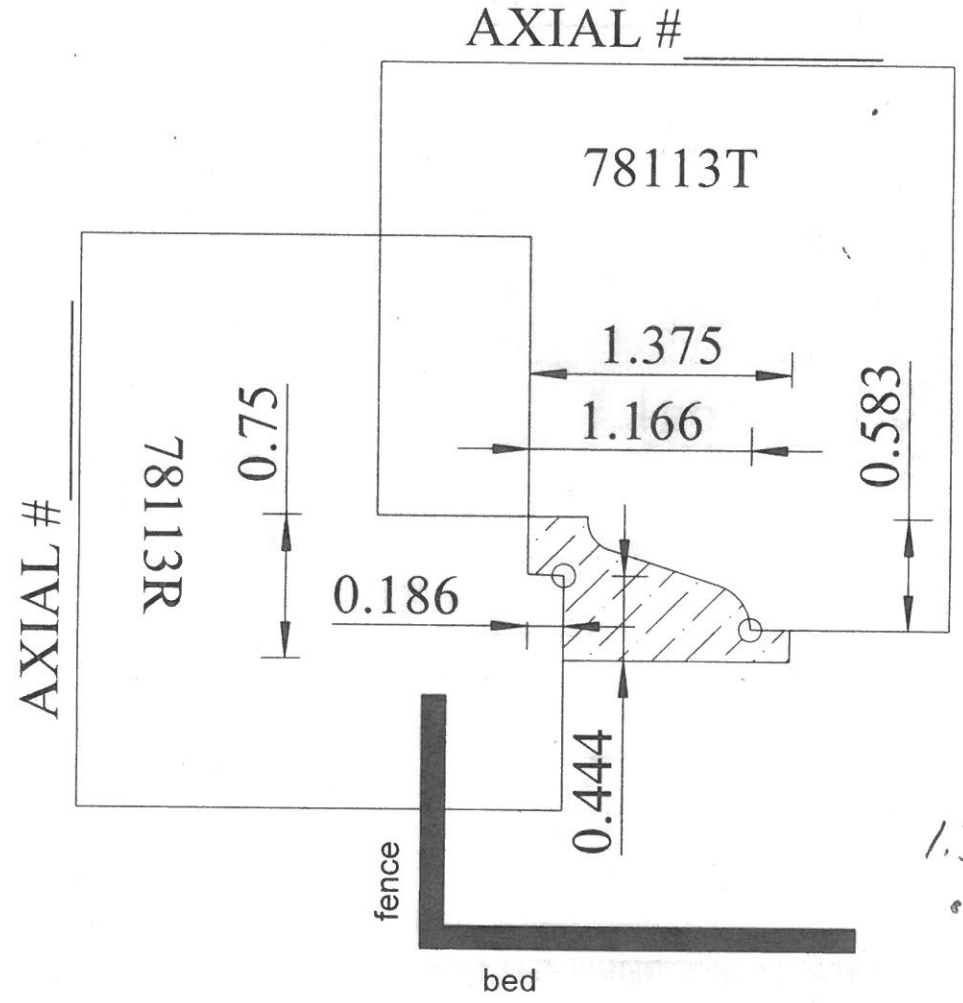




Services Requested & Material Selection
(circle all that apply)

	Finished	Rough
M3+HSS	Double-Back	Supre
TCT Inlaid	Insert	SRS

P-7
BB-27



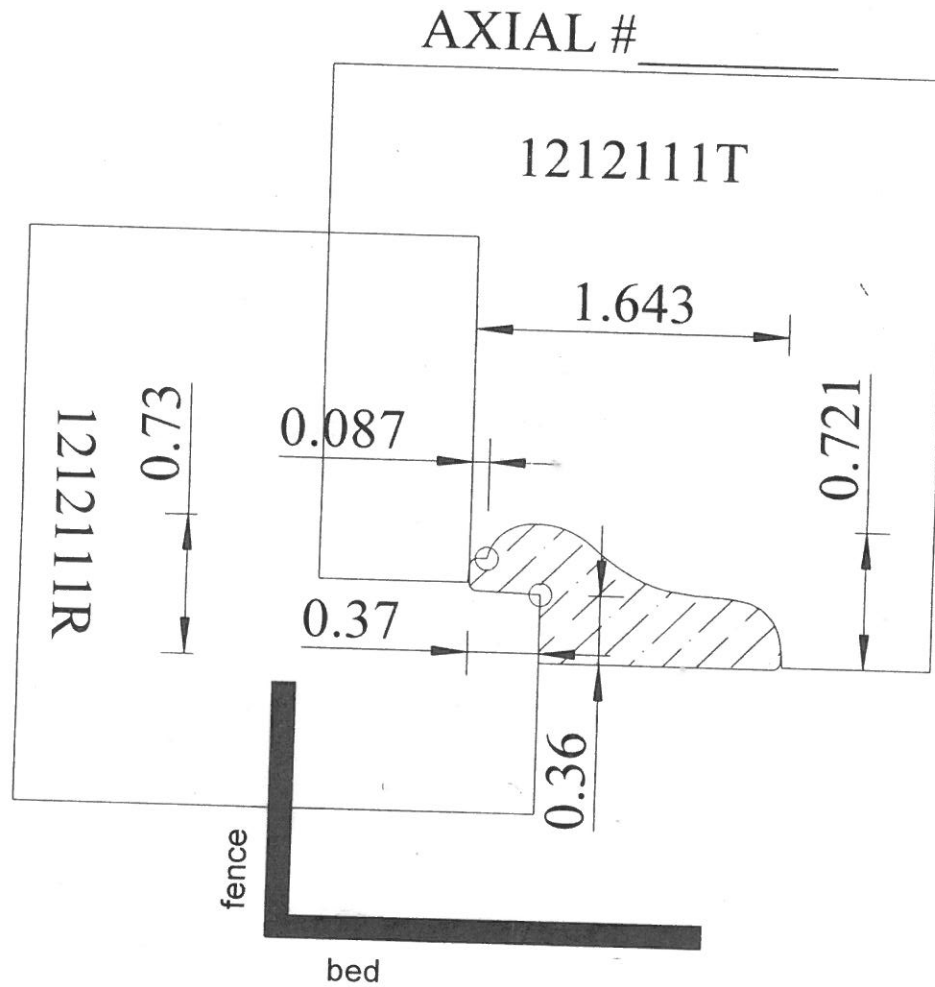
1.375
0.750



Services Requested & Material Selection
(circle all that apply)

	Finished	Rough
M3+HSS	Double-Back	Supre
TCT Inlaid	Insert	SRS

P-12



Michael Weing, Inc
124 Crosslake Park
Drive
 Mooresville, NC 28117

Sign for approval or make changes: X
DRAWN BY: "CHADROE" SLOAN

Thank you