

Services Requested & Material Selection

(circle all that apply)

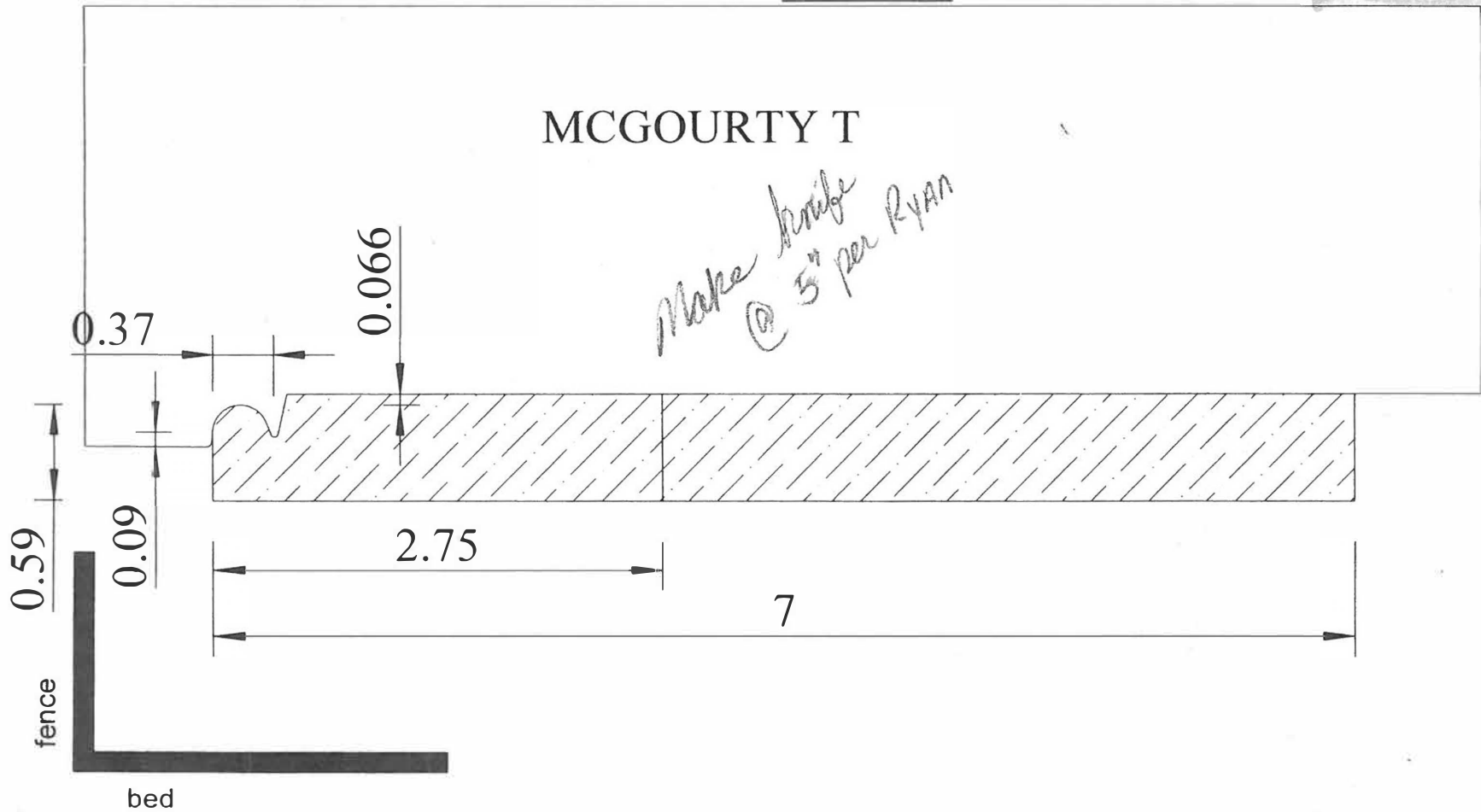
	Finished	Rough
M3+HSS	Double-Back	Supre
TCT Inlaid	Insert	SRS

A-66

AXIAL # _____

MCGOURTY T

Make knife @ 5" per RYAN



656

Sign for approval or make changes: X

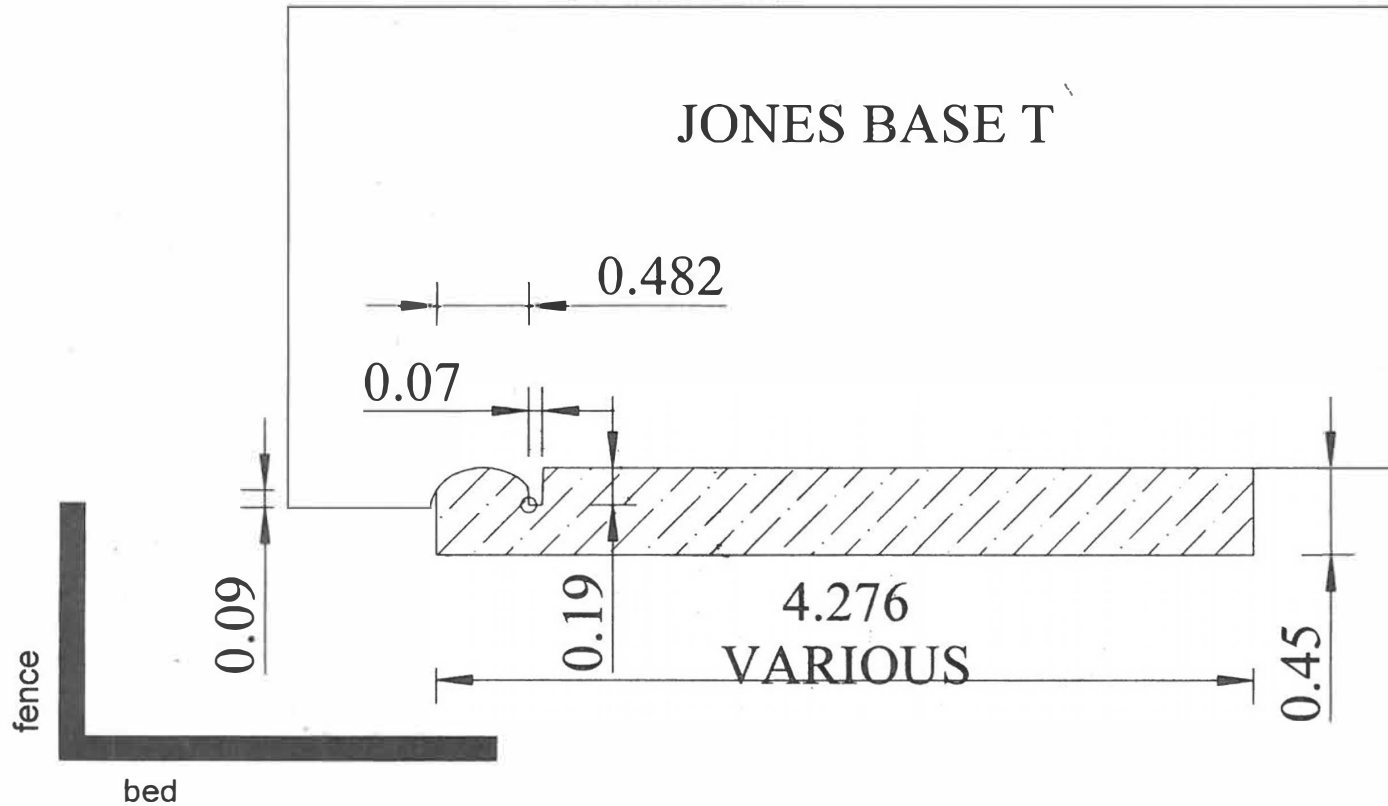
Thank you

Services Requested & Material Selection
(circle all that apply)

	Finished	Rough
M3+HSS	Double-Back	Supre
TCT Inlaid	Insert	SRS

A-80

AXIAL # 396



Sign for approval or make changes: X

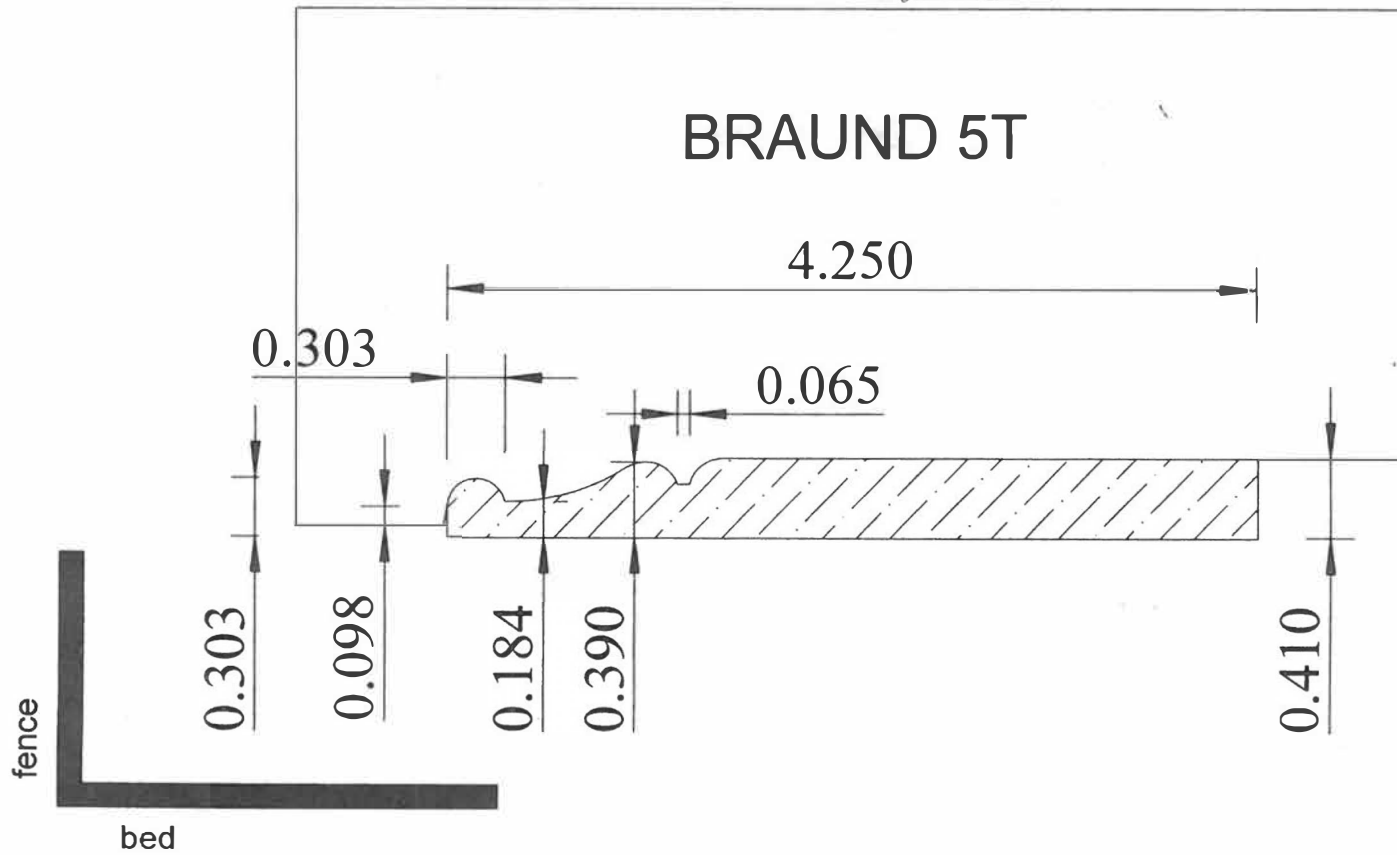
Thank you

Services Requested & Material Selection
(circle all that apply)

	Finished	Rough
M3+HSS	Double-Back	Supre
TCT Inlaid	Insert	SRS

A-82

AXIAL # 96E



Sign for approval or make changes: X

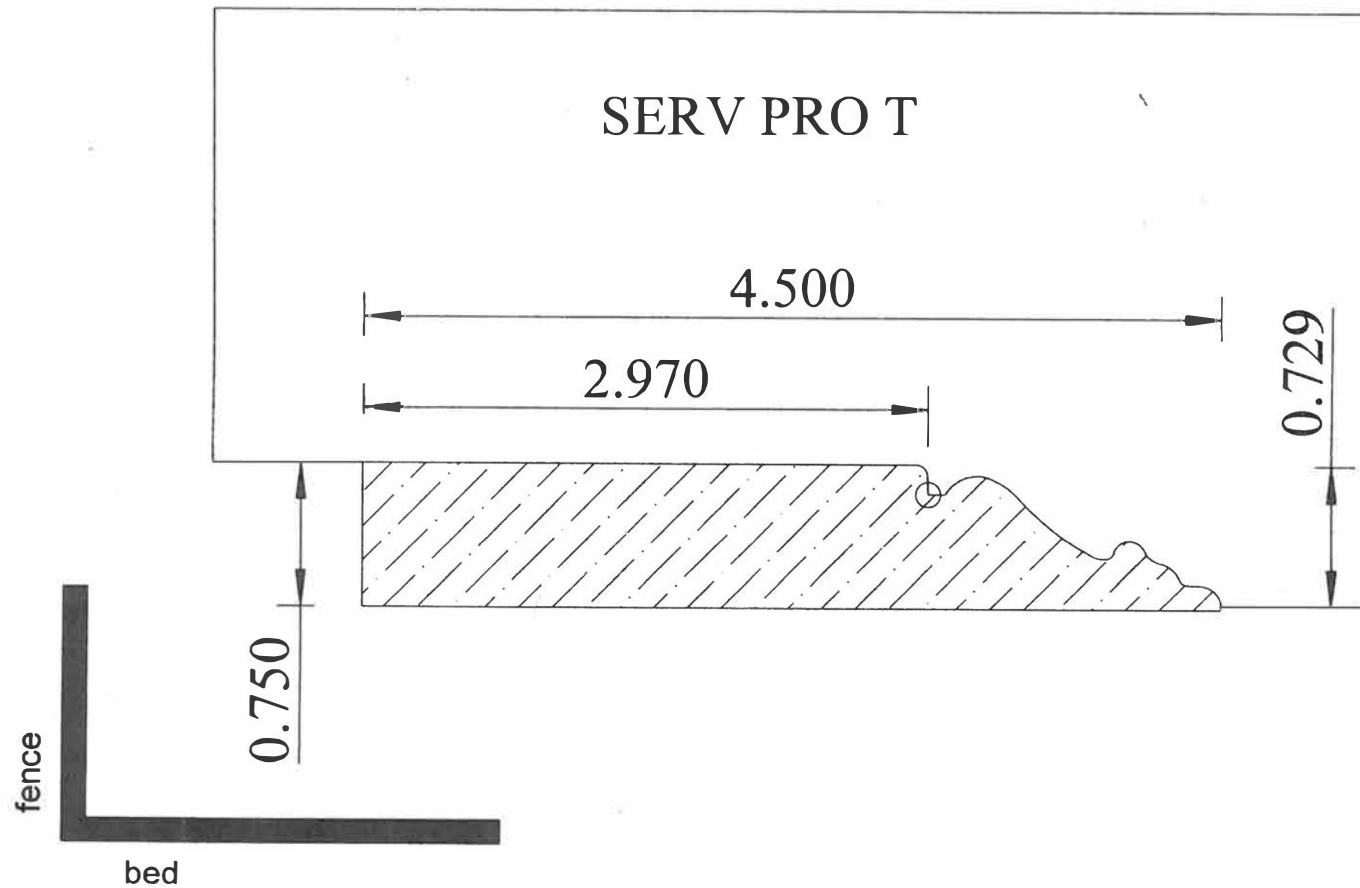
Thank you

Services Requested & Material Selection
(circle all that apply)

	Finished	Rough
M3+HSS	Double-Back	Supre
TCT Inlaid	Insert	SRS

A-86

AXIAL # .395



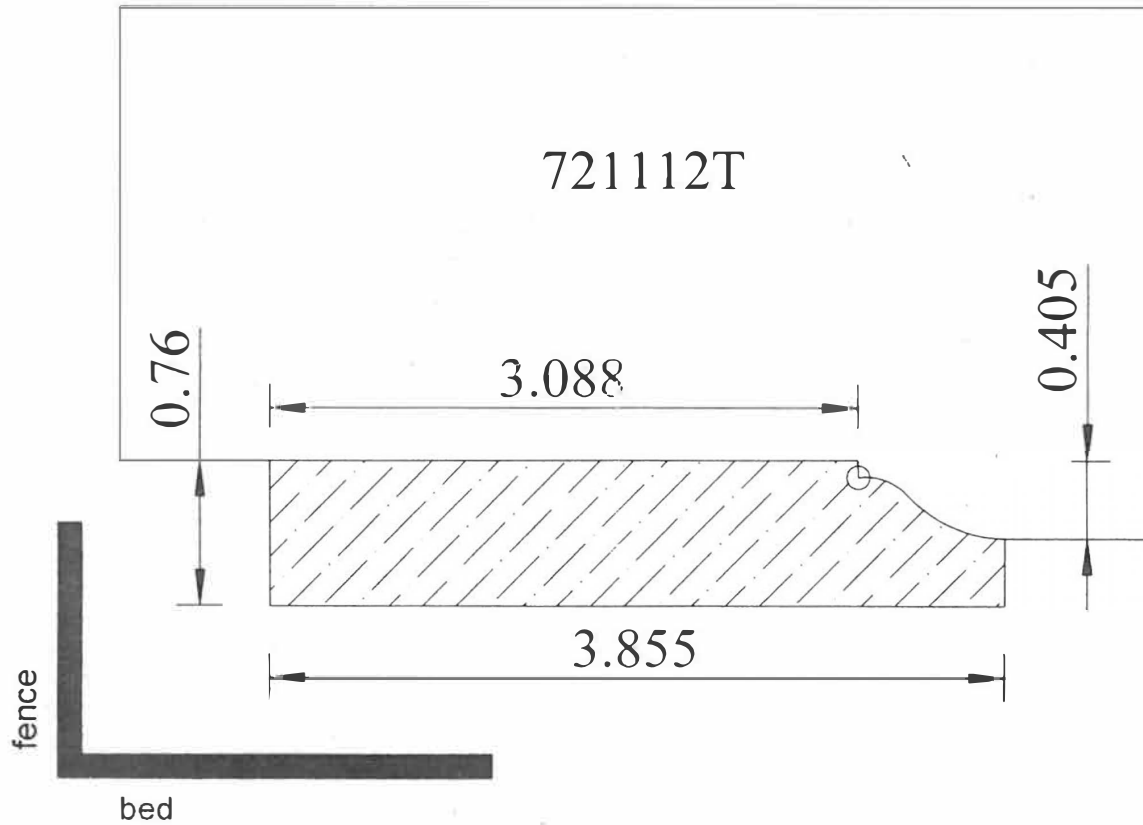
Sign for approval or make changes: X
Thank you

Services Requested & Material Selection
(circle all that apply)

	Finished	Rough
M3+HSS	Double-Back	Supre
TCT Inlaid	Insert	SRS

B-64

AXIAL # _____



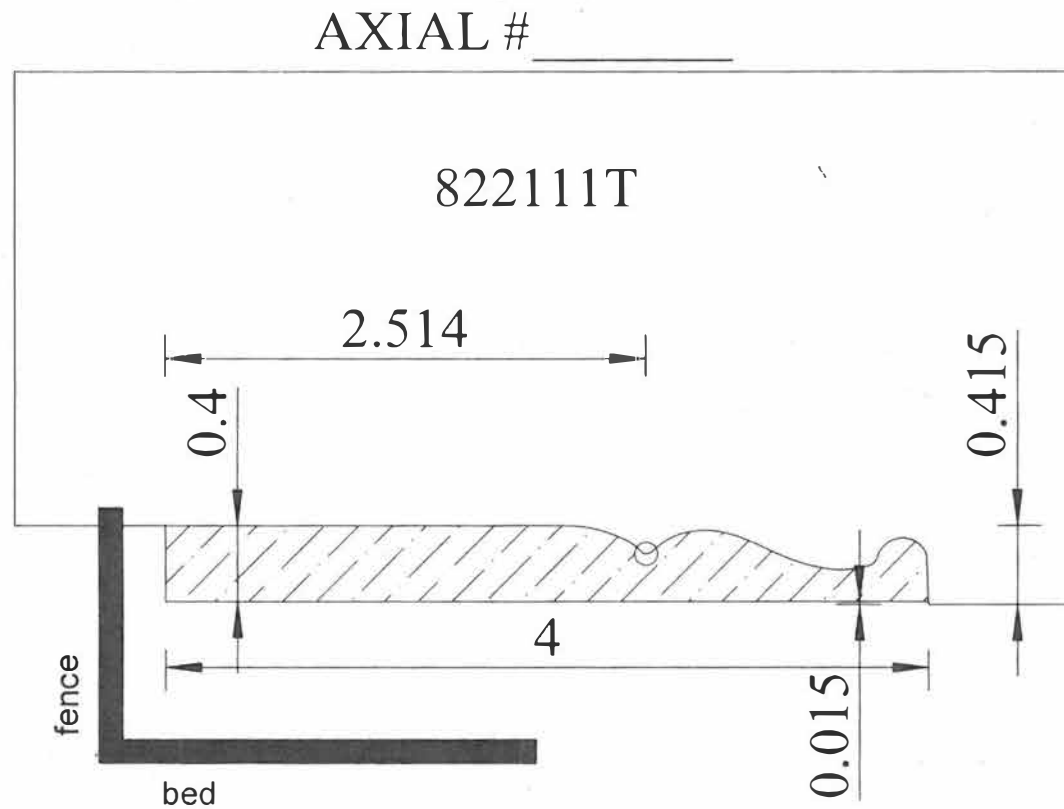
Sign for approval or make changes: X

Thank you

Services Requested & Material Selection
(circle all that apply)

	Finished	Rough
M3+HSS	Double-Back	Supre
TCT Inlaid	Insert	SRS

B-70

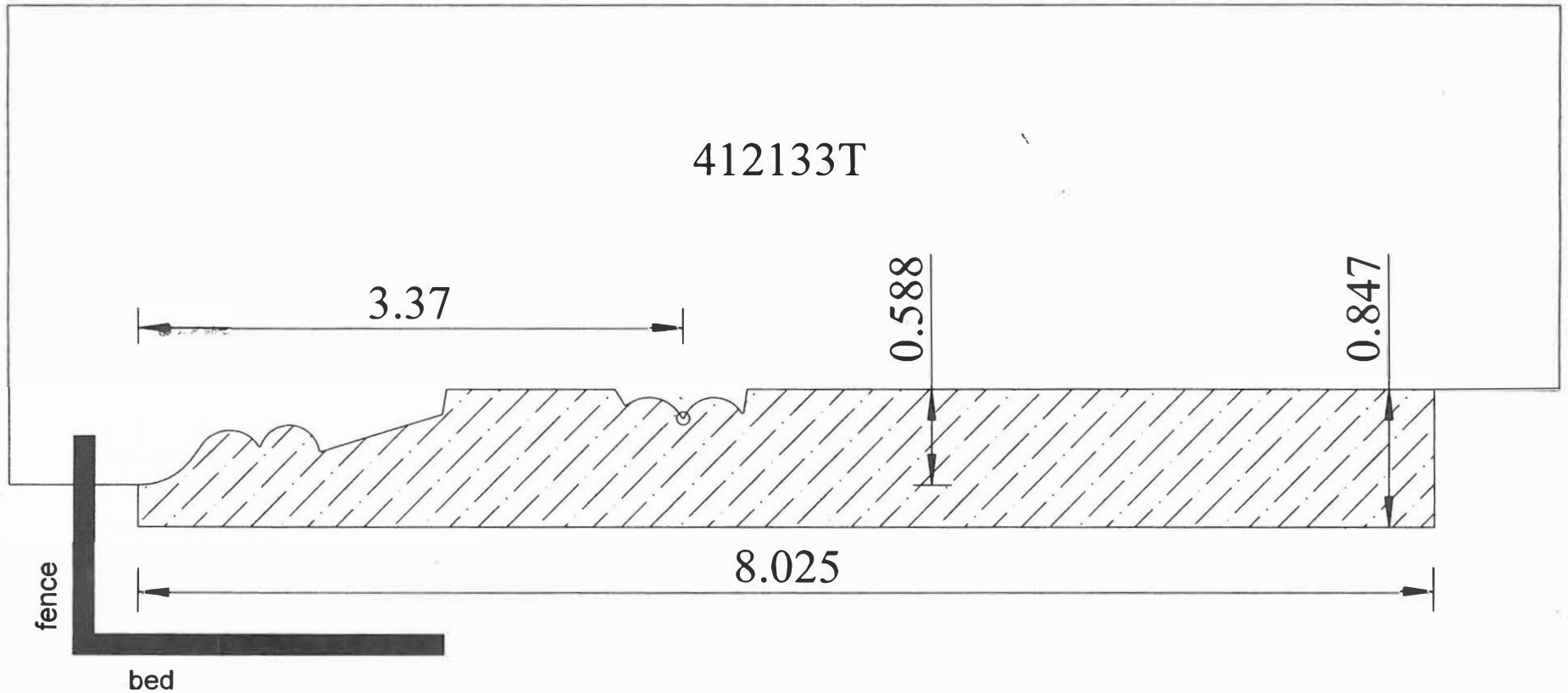


Services Requested & Material Selection
(circle all that apply)

	Finished	Rough
M3+HSS	Double-Back	Supre
TCT Inlaid	Insert	SRS

AXIAL # 93E1

B-87



Sign for approval or make changes: X Thank you

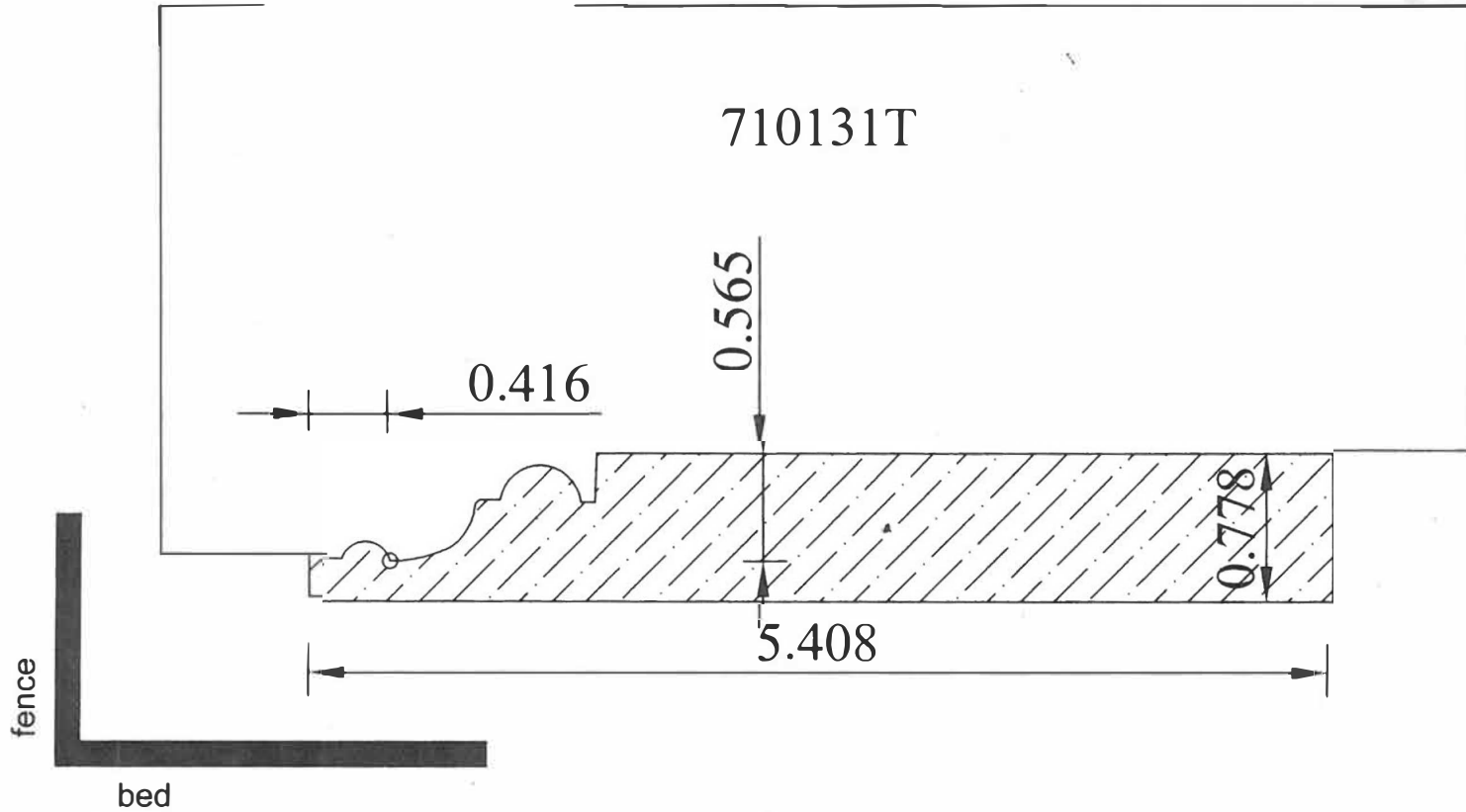
Services Requested & Material Selection
(circle all that apply)

	Finished	Rough
M3+HSS	Double-Back	Supre
TCT Inlaid	Insert	SRS

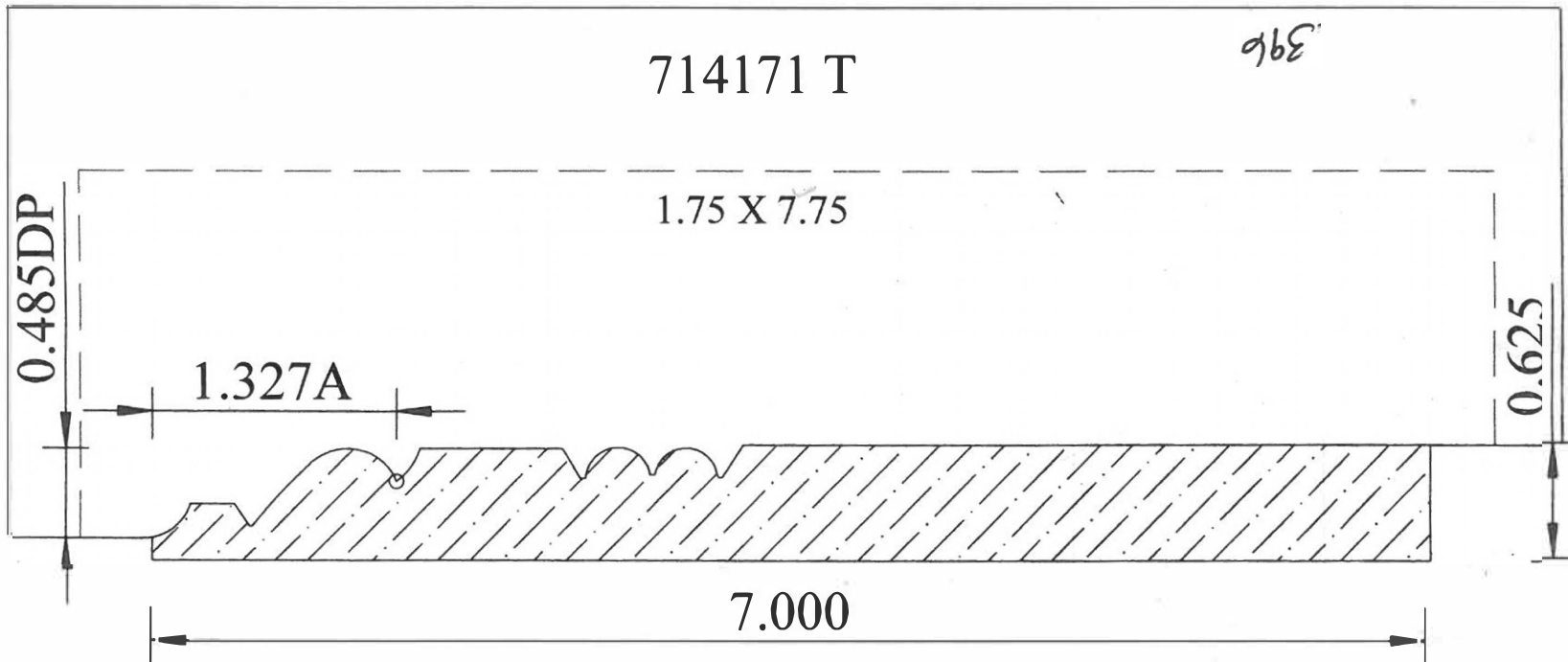
B-95

AXIAL # _____

710131T



C-51

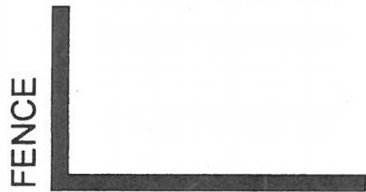
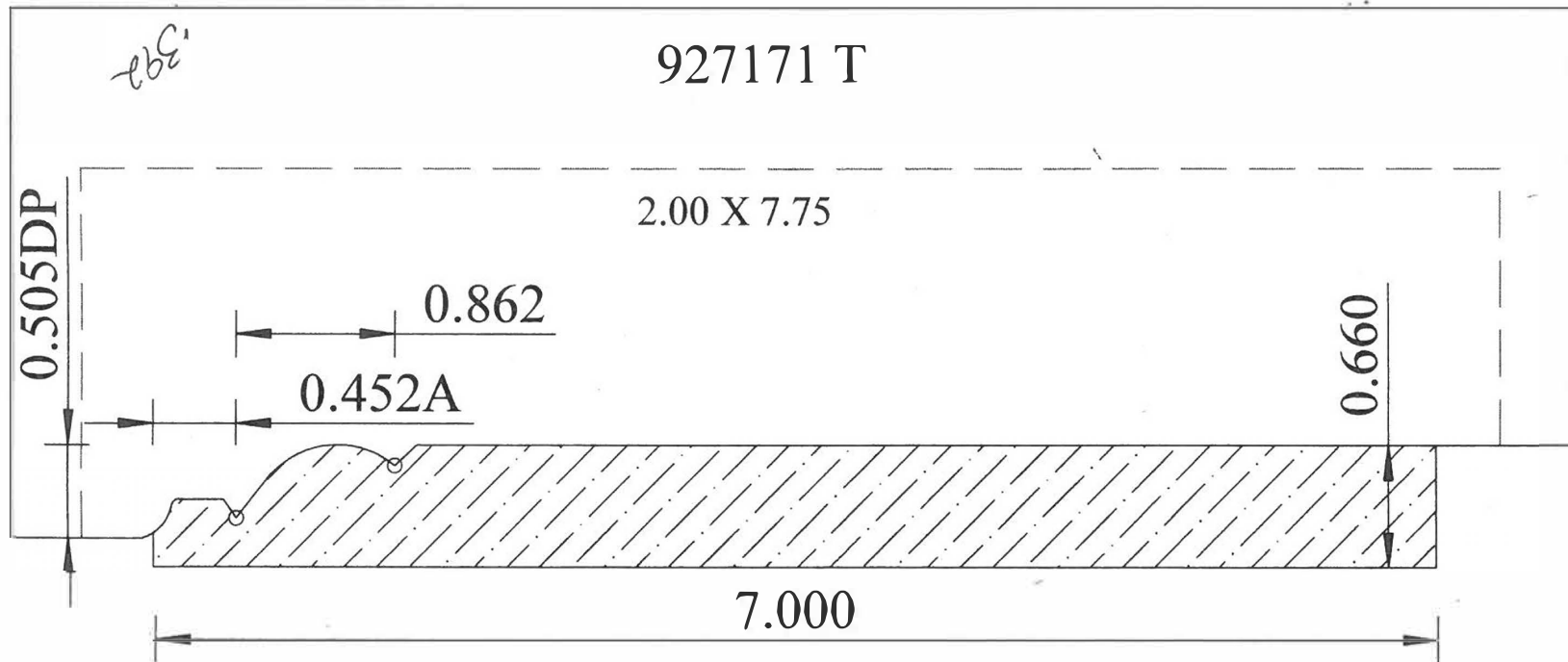


FENCE
BED
VIEW FROM OUTFEED

CLIENT NAME: _____

DATE: _____

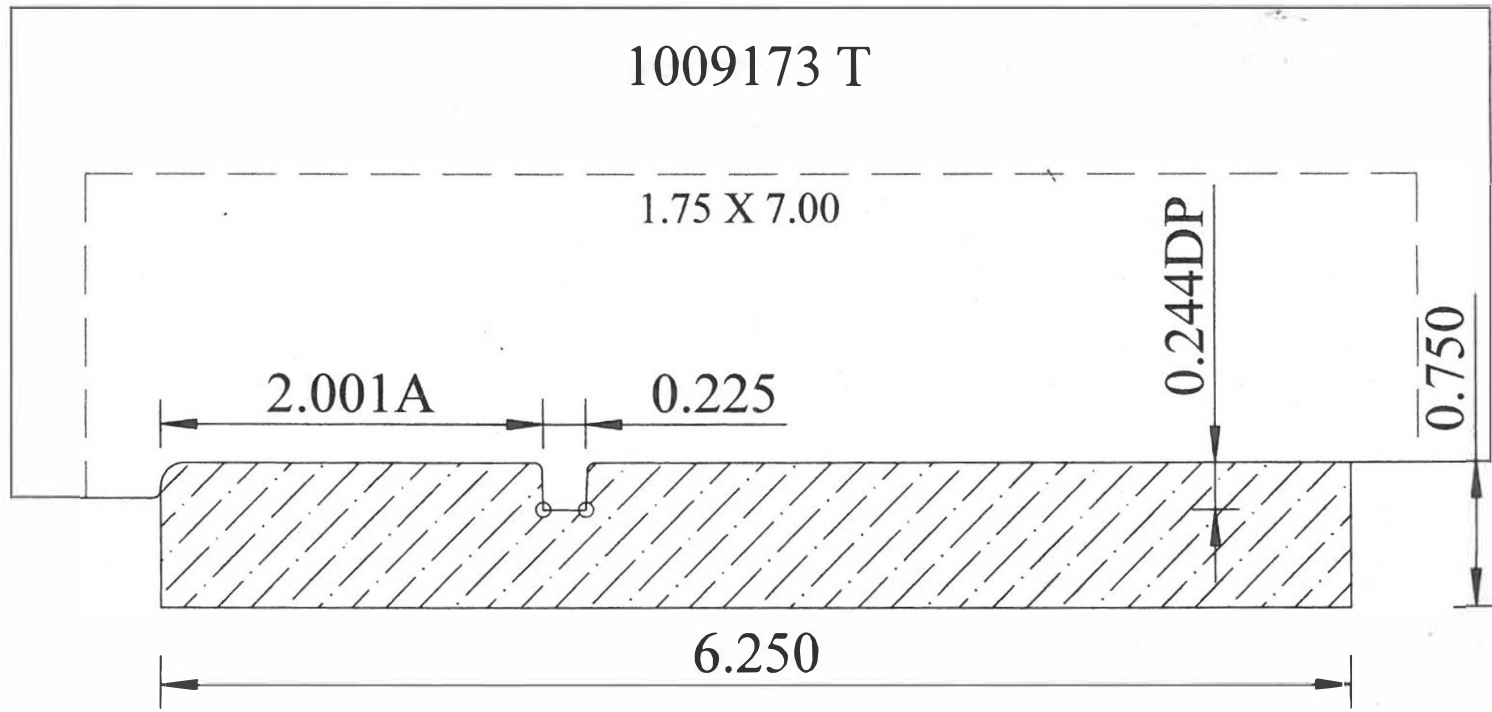
C-60



VIEW FROM OUTFEED

DATE:

C-61



BED
VIEW FROM OUTFEED

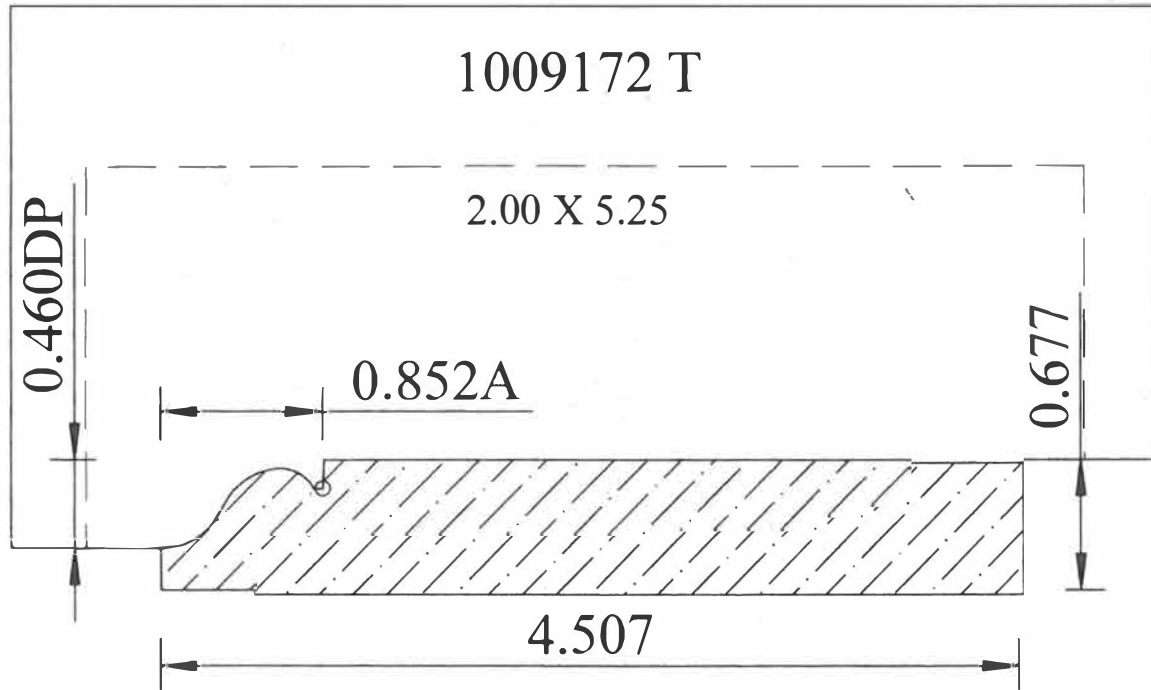
THIS DRAWING IS PROPERTY OF WEINIG INC.

CLIENT NAME: _____

SIGN FOR APPROVALS: X _____ DATE: _____
DRAWN BY: MARIA ALEMAN

DOB

C-62



FENCE

BED

VIEW FROM OUTFEED

CLIENT NAME: _____

SIGN FOR APPROVALS: X _____
DRAWN BY: MARIA ALEMAN

DATE: _____

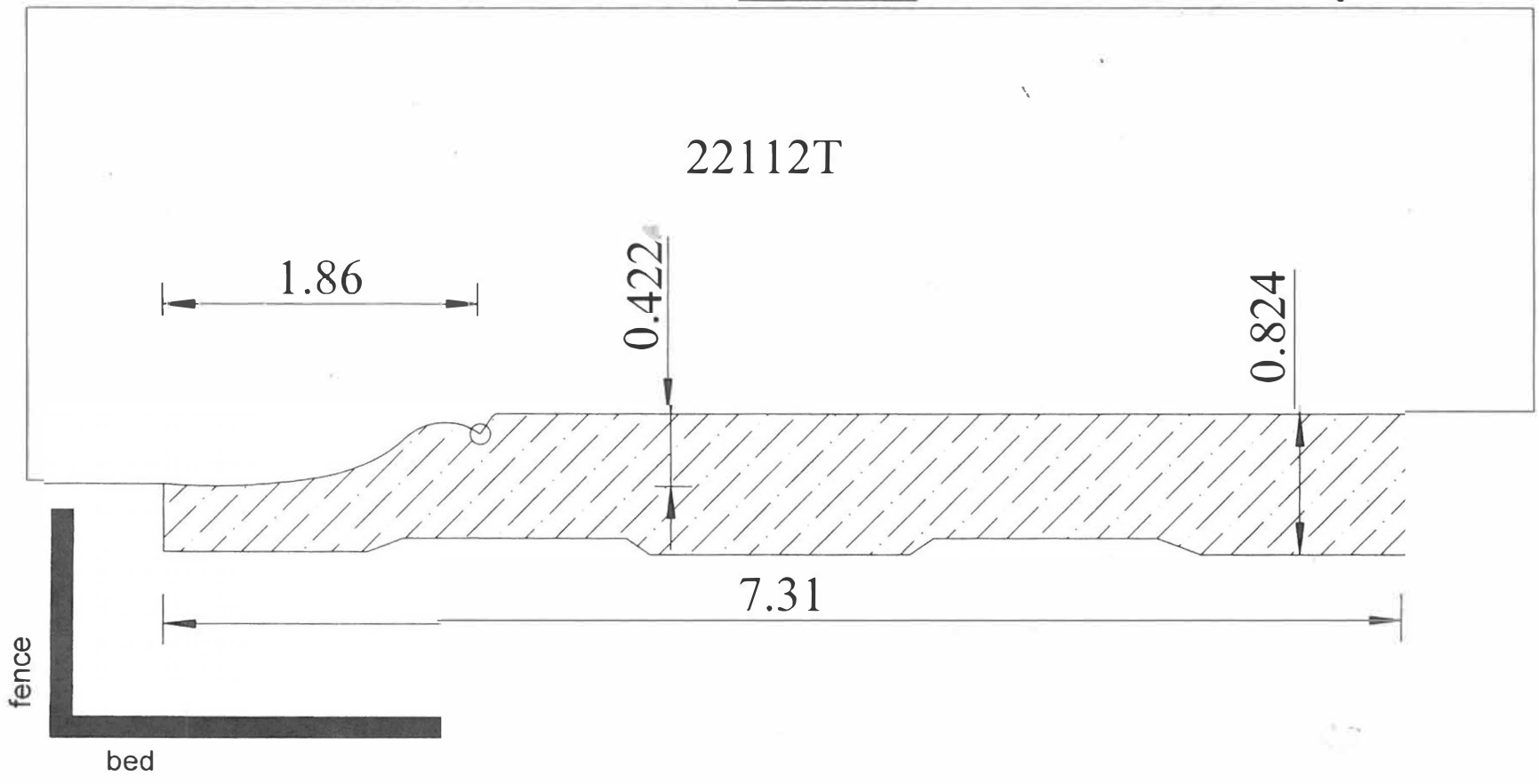
Grid #64^c

Services Requested & Material Selection
(circle all that apply)

	Finished	Rough
M3+HSS	Double-Back	Supre
TCT Inlaid	Insert	SRS

Grid # 64^c

AXIAL # _____



Sign for approval or make changes:

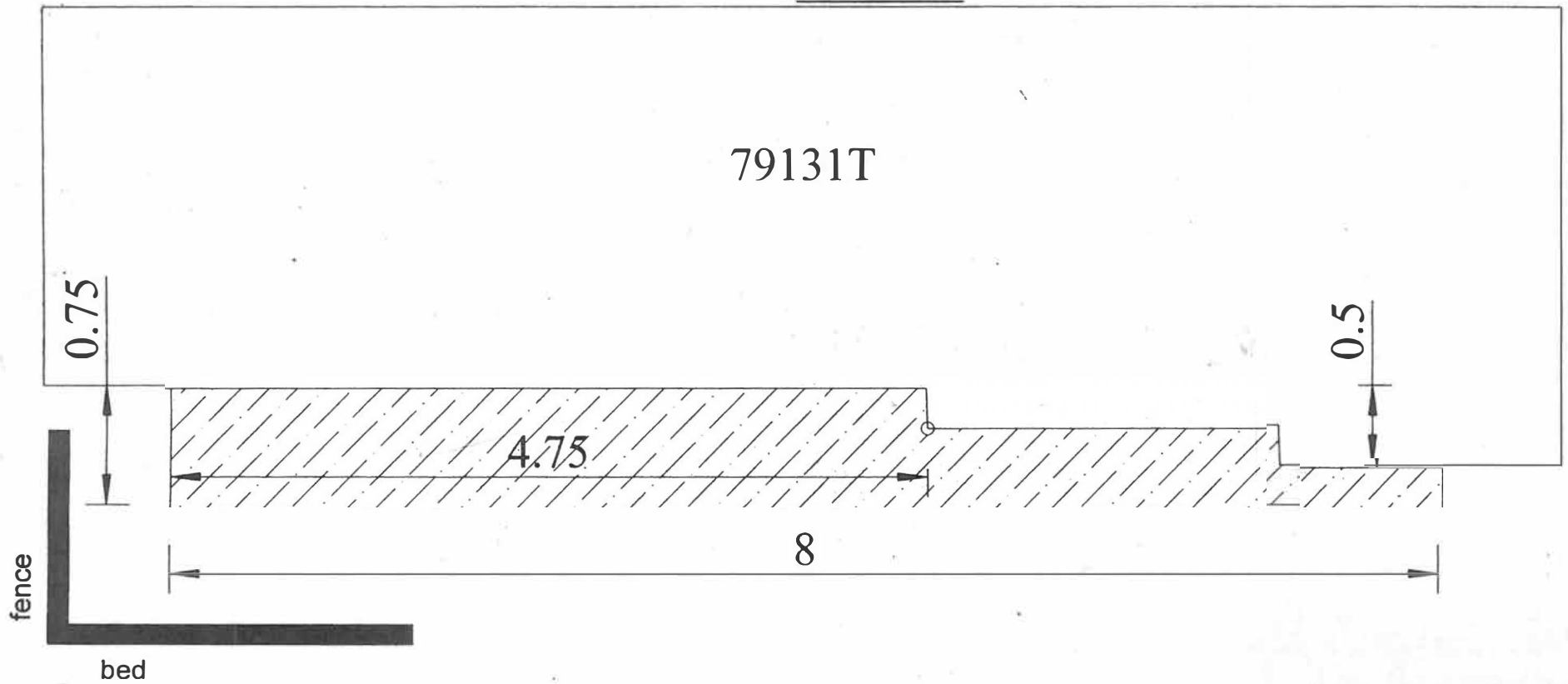
X _____
Thank you

Services Requested & Material Selection
(circle all that apply)

	Finished	Rough
M3+HSS	Double-Back	Supre
TCT Inlaid	Insert	SRS

C-83T

AXIAL # - 396



Sign for approval or make changes: X

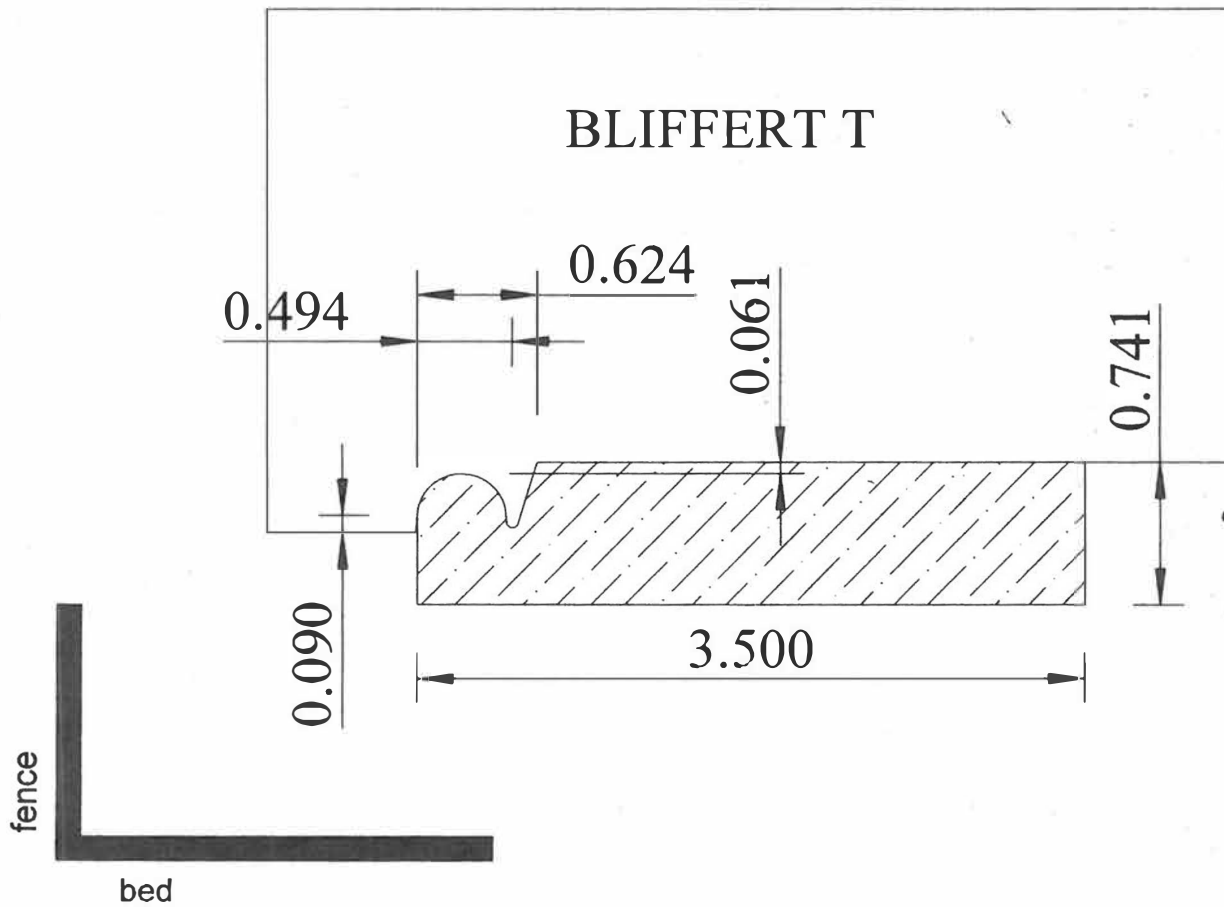
Thank you

Services Requested & Material Selection
(circle all that apply)

	Finished	Rough
M3+HSS	Double-Back	Supre
TCT Inlaid	Insert	SRS

D-42

AXIAL # 96E'



Services Requested & Material Selection
(circle all that apply)

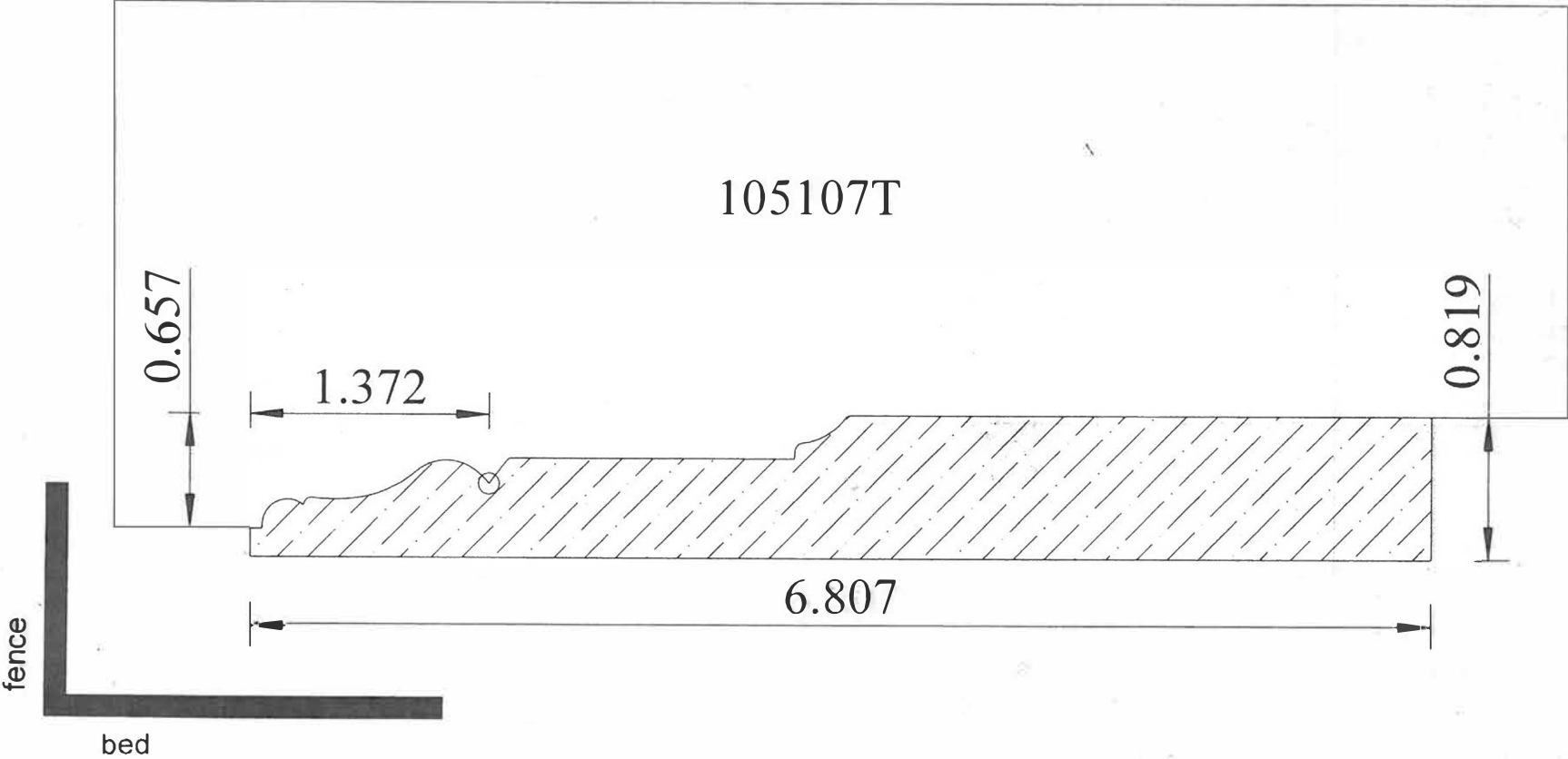
	Finished	Rough
M3+HSS	Double-Back	Supre
TCT Inlaid	Insert	SRS

D-65

D-65

AXIAL # _____

105107T



Sign for approval or make changes: X

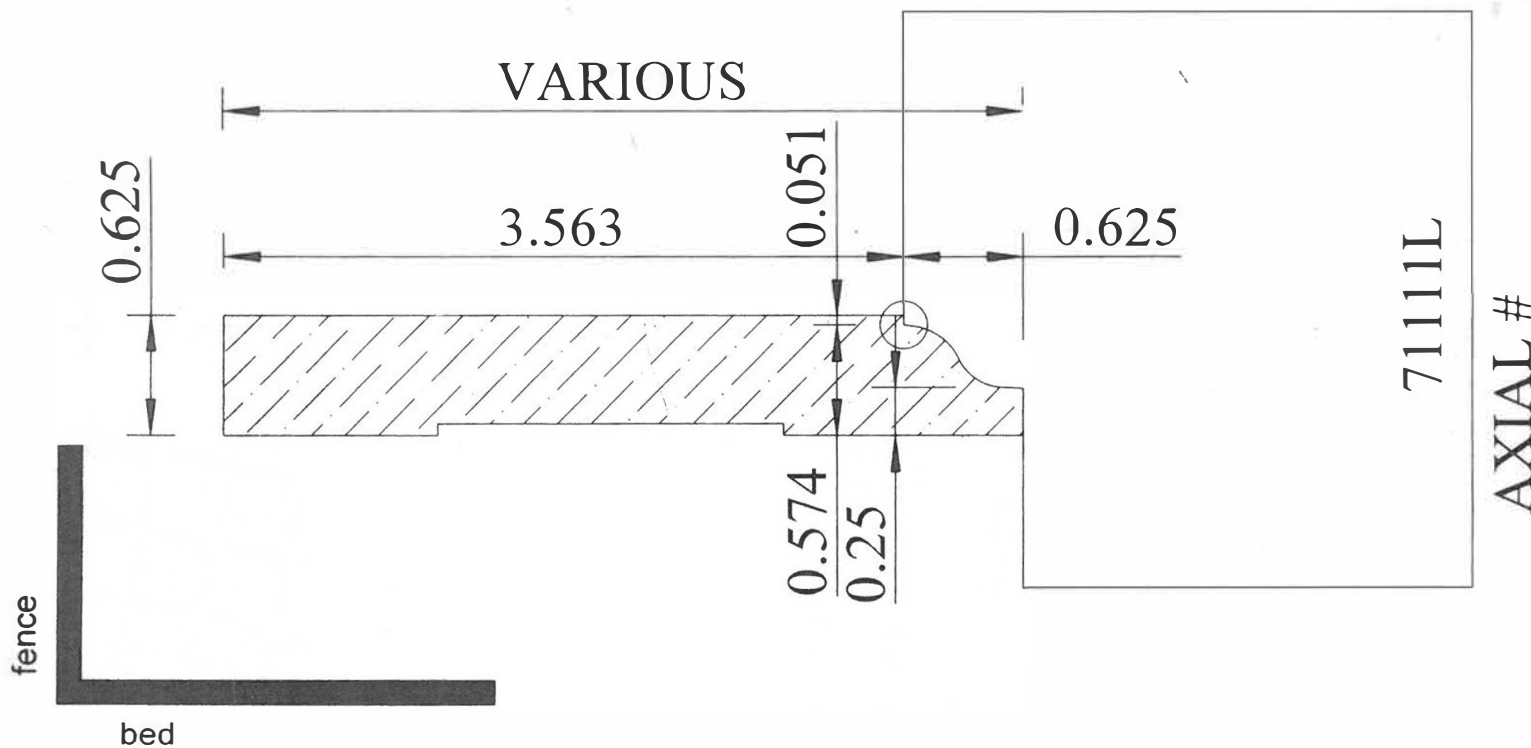
Thank you

4.202
1629

Services Requested & Material Selection
(circle all that apply)

	Finished	Rough
M3+HSS	Double-Back	Supre
TCT Inlaid	Insert	SRS

Grid
D78



Sign for approval or make changes: X

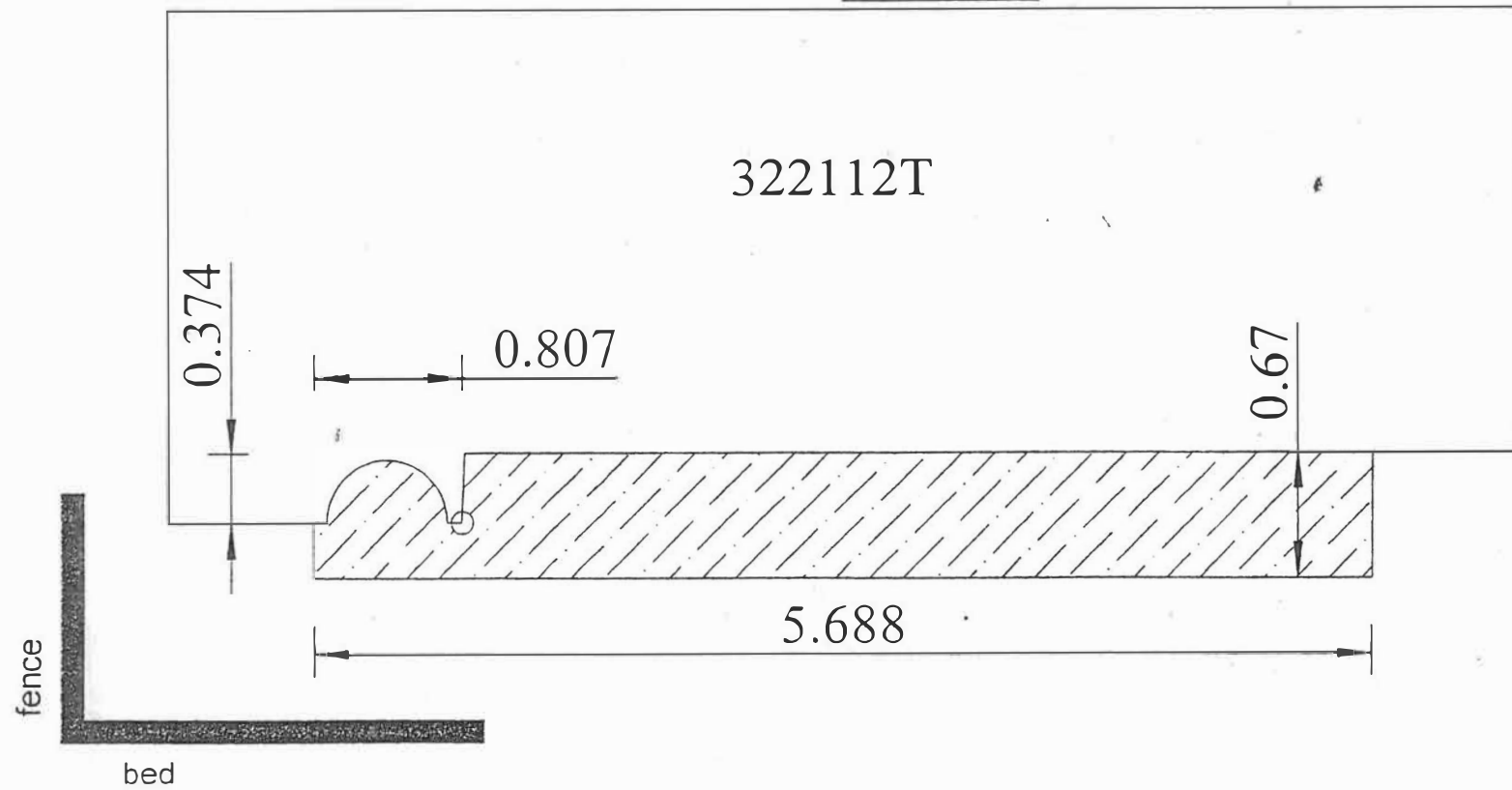
Thank you

(Circle all that apply)

	Finished	Rough
M3+HSS	Double-Back	Supre
TCT Inlaid	Insert	SRS

E-26

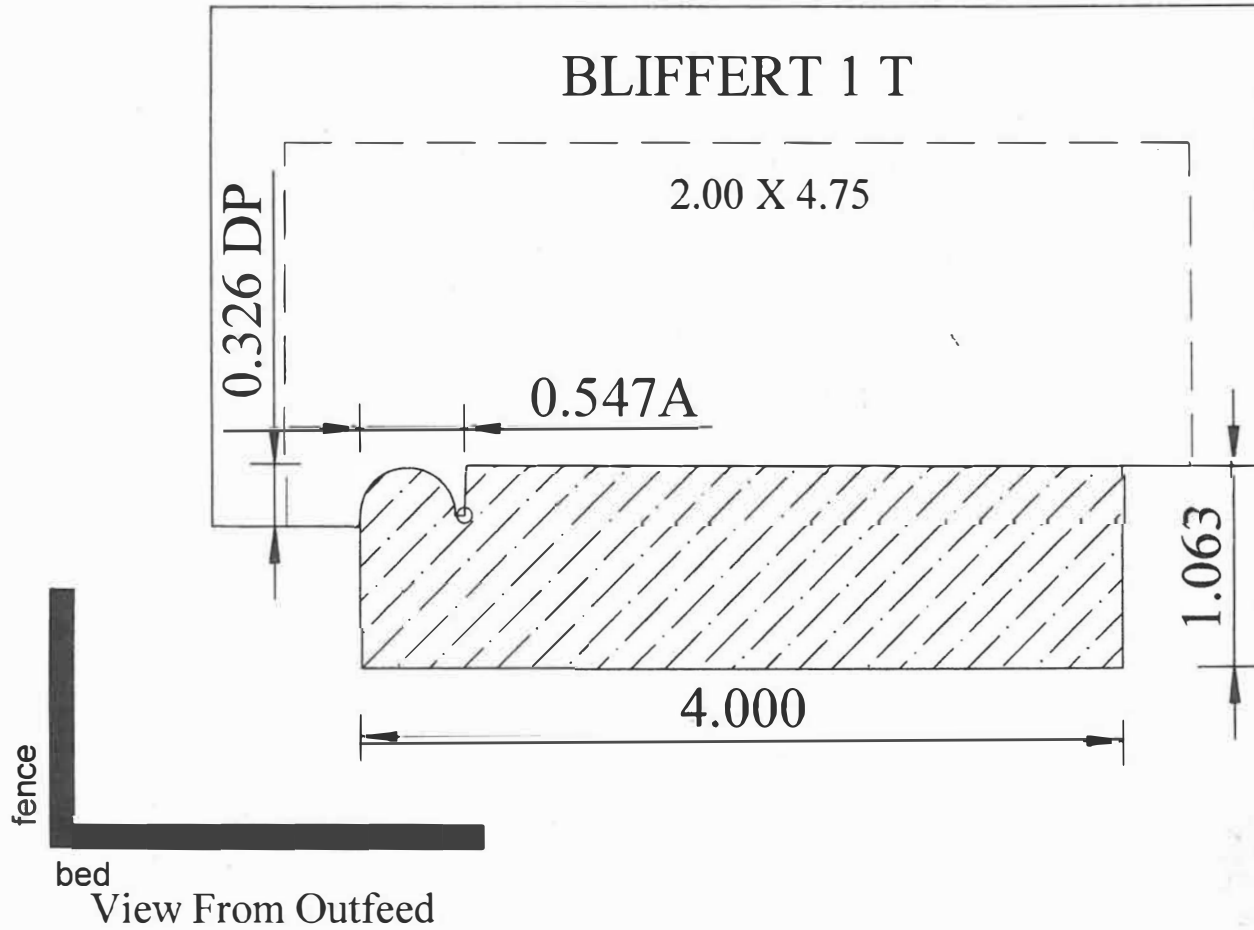
AXIAL # _____



Sign for approval or make changes: X
Thank you

E-60

E-60



Client Name: _____

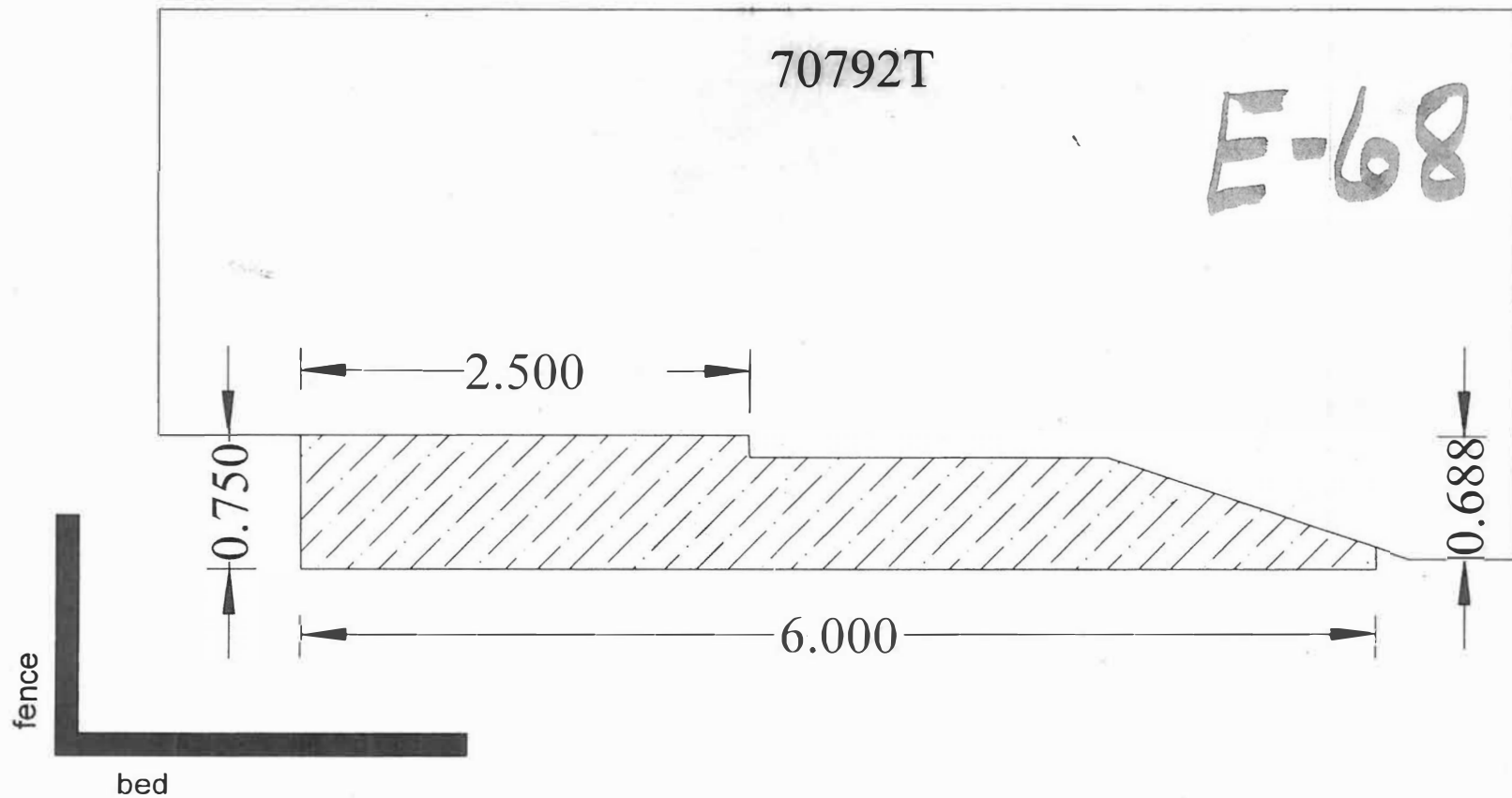
Sign for approvals: _____

Date: _____

Services Requested & Material Selection
(circle all that apply)

	Finished	Rough
M3+HSS	Double-Back	Supre
TCT Inlaid	Insert	SRS

AXIAL # _____

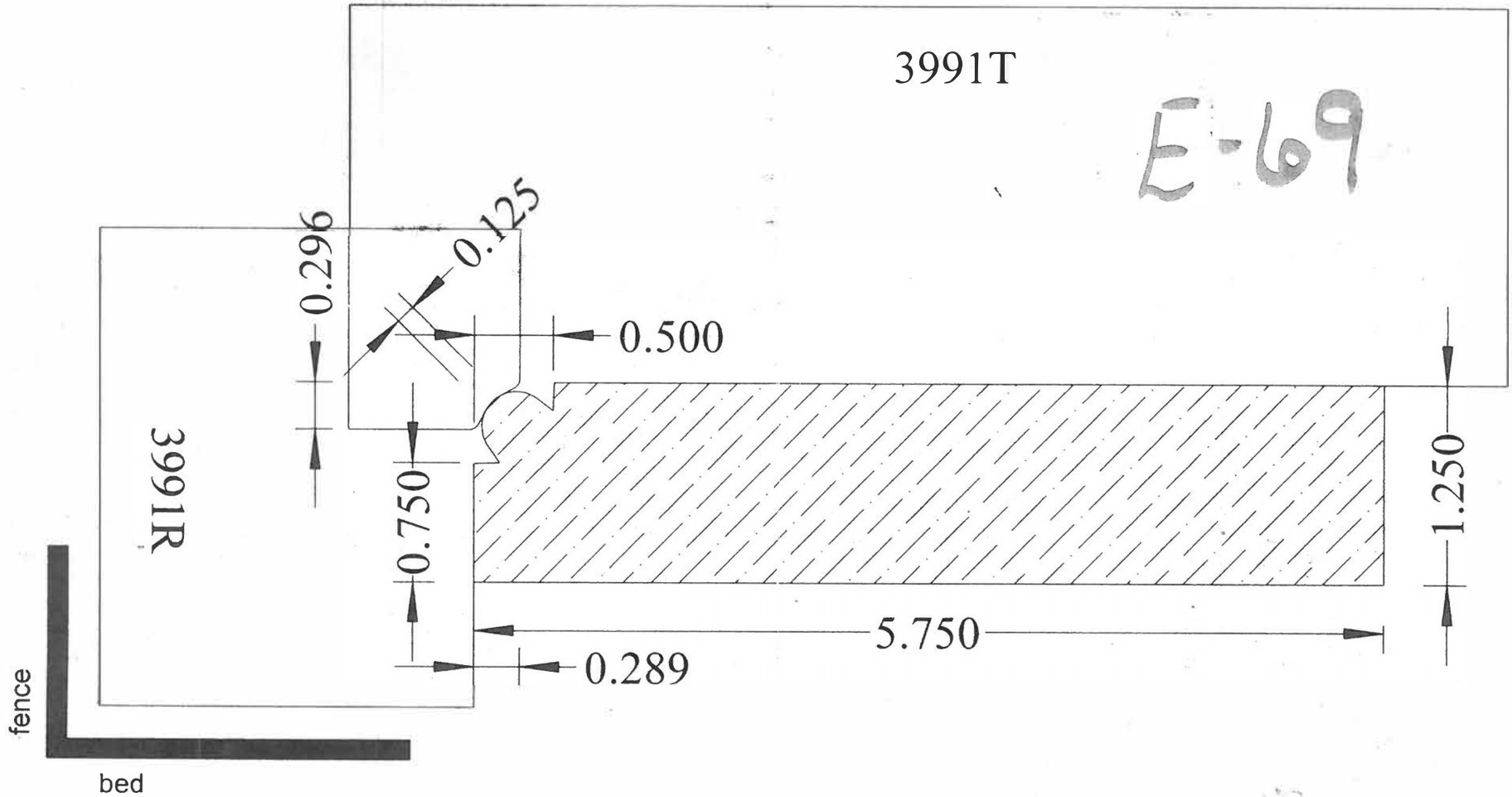


Sign for approval or make changes: X

Thank you

Services Requested & Material Selection
(circle all that apply)

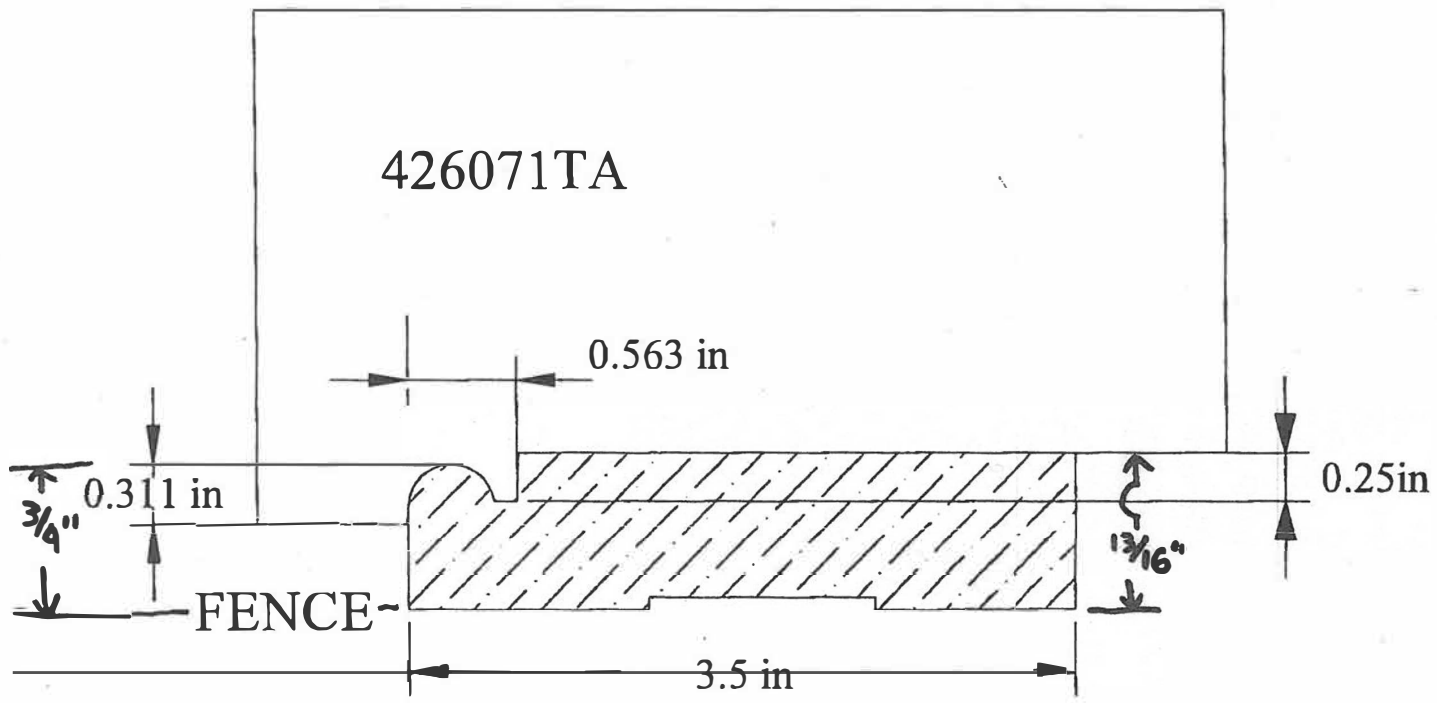
	Finished	Rough
M3+HSS	Double-Back	Supre
TCT Inlaid	Insert	SRS



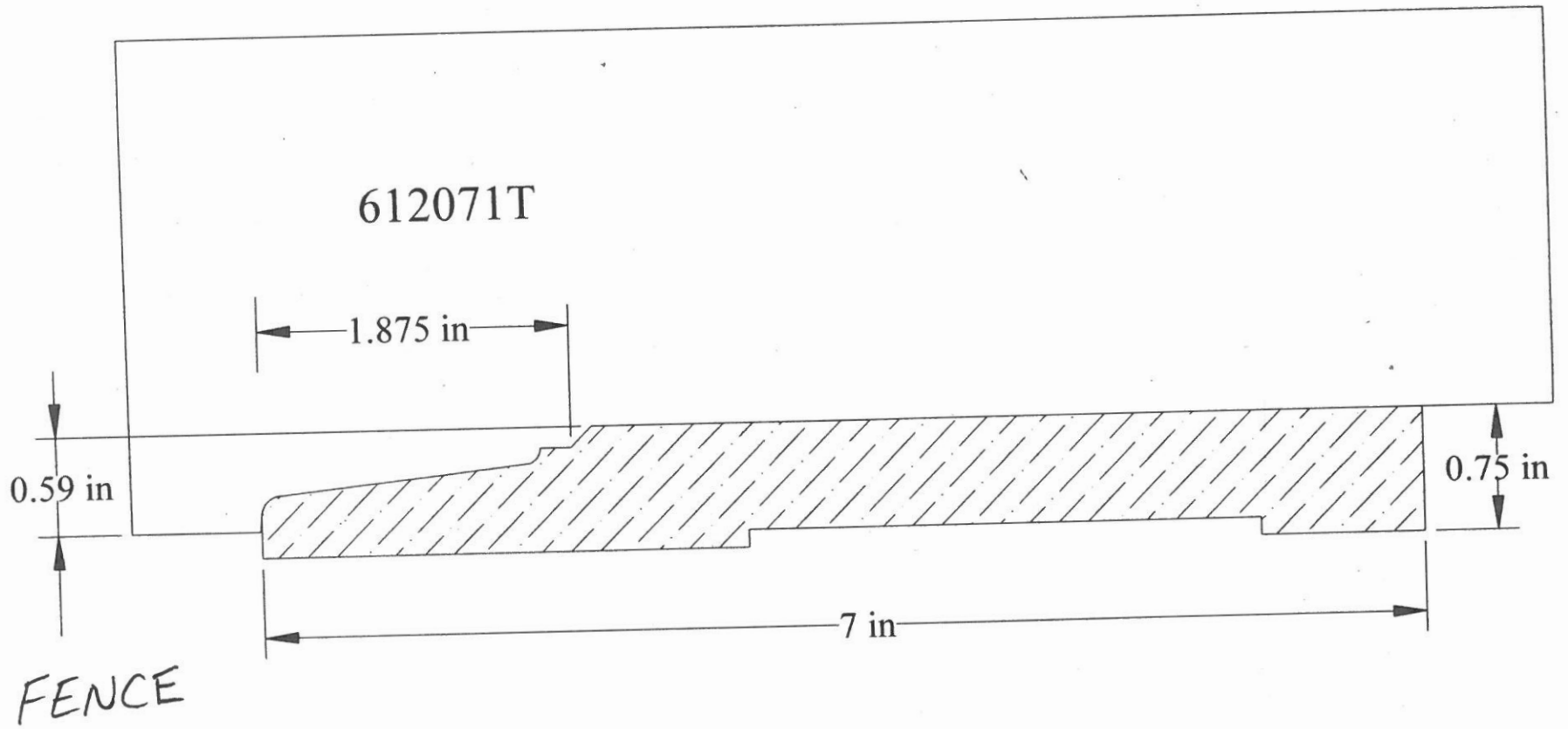
Sign for approval or make changes: X

Thank you

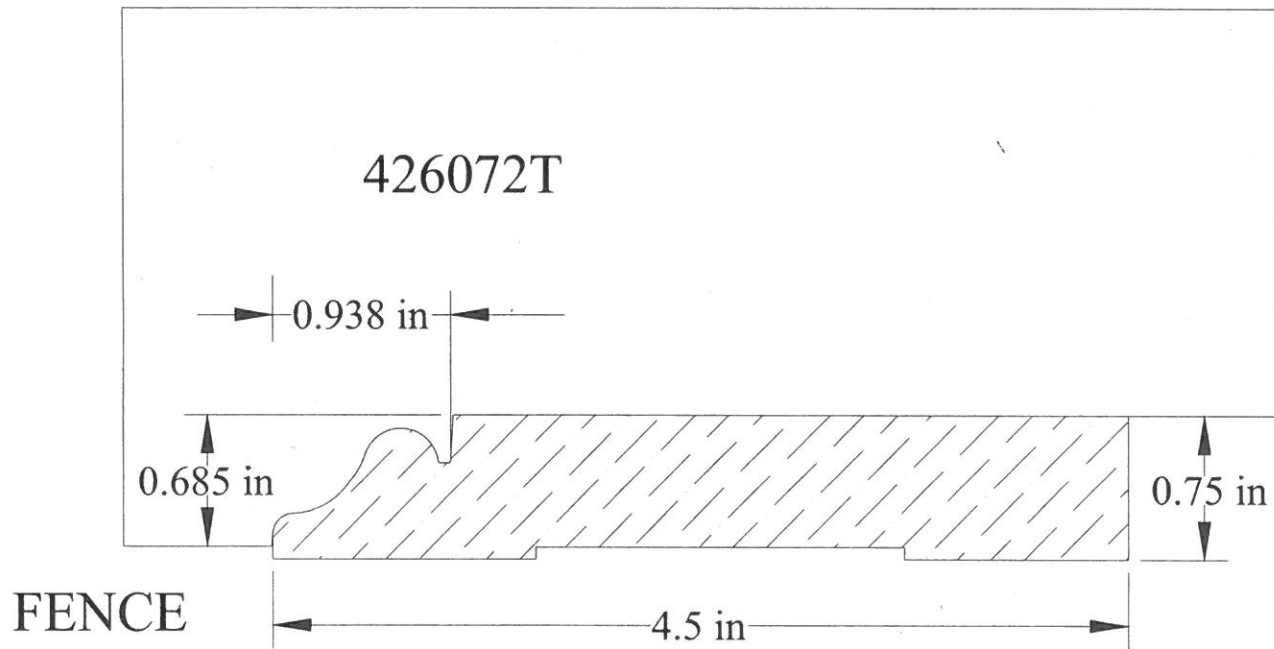
E-73



E-74



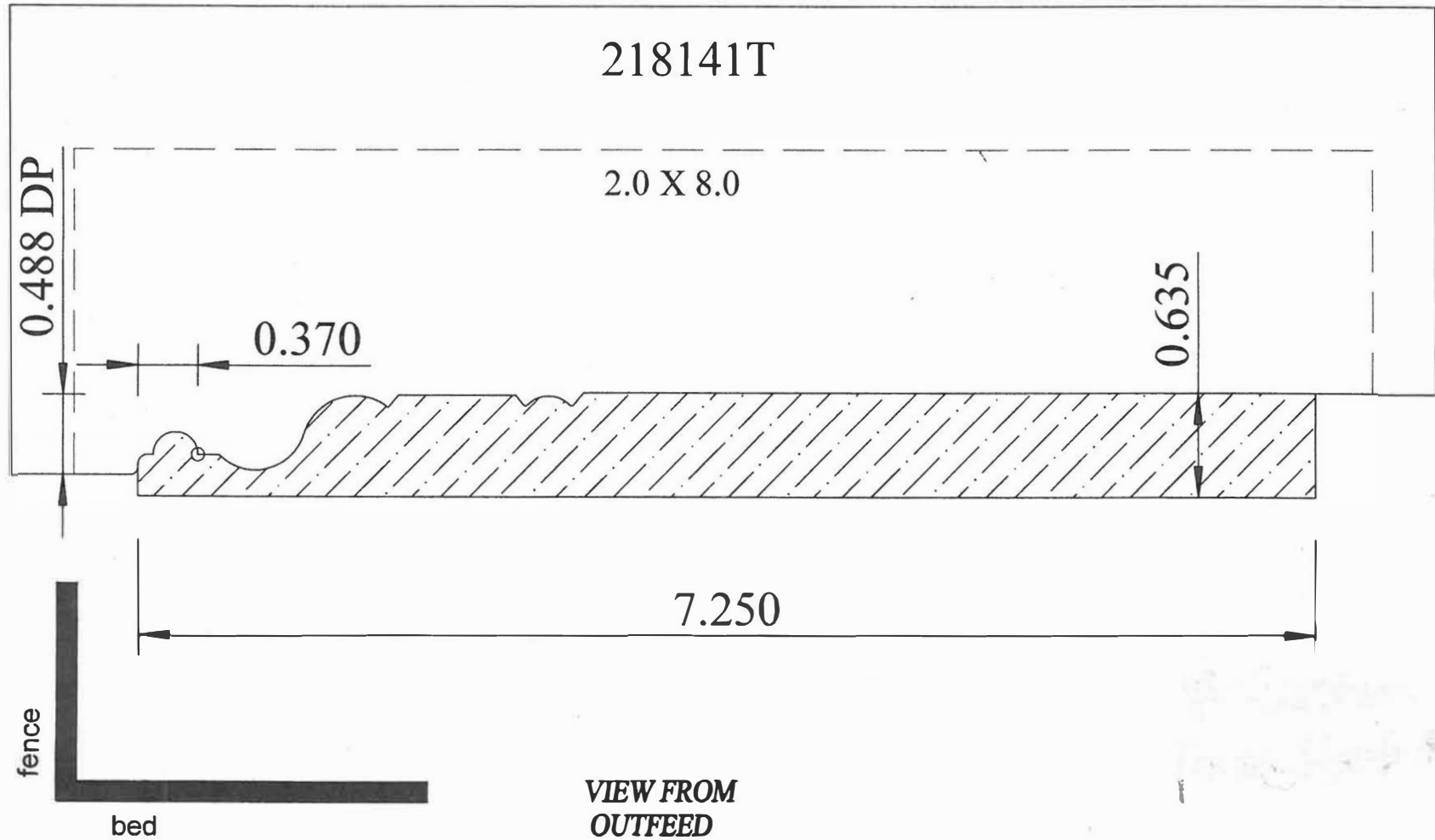
\$79 PER KNIFE AND \$35 FOR TEMPLATE



E-7A

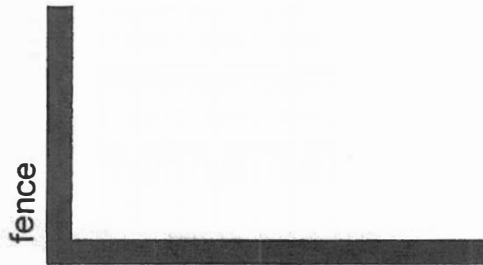
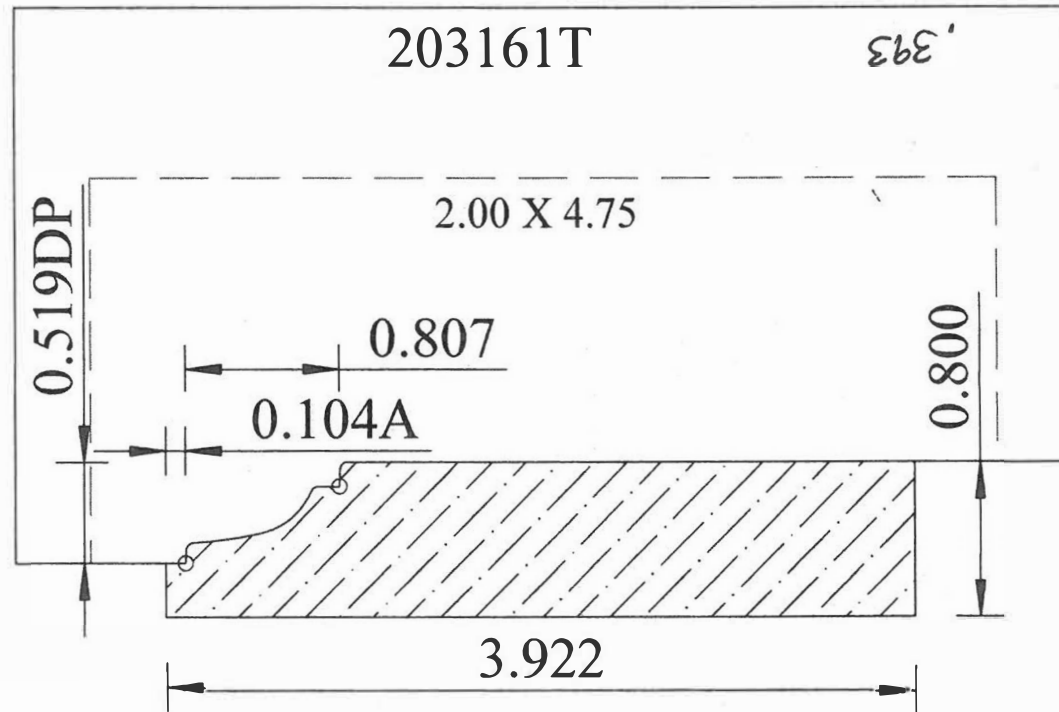
	KNIFE MATERIAL	
M2 5/16"	M3+ HSS	SUPRE-18

E-82



Sign for approvals: X Date: _____
 DRAWN BY: "Michael Neville"

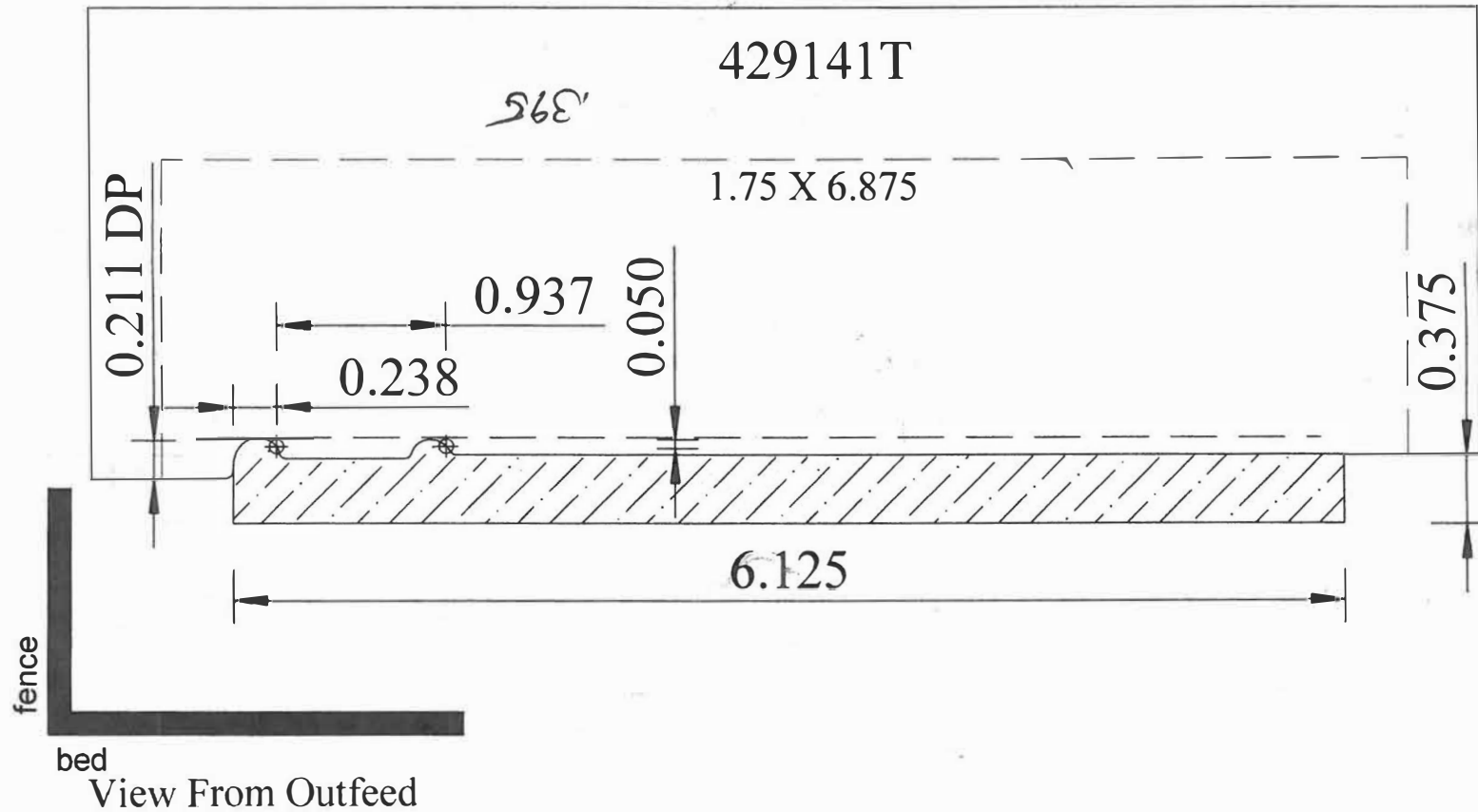
E-86



View From Outfeed

DATE:

E-88T



Client Name: _____

Sign for approvals:

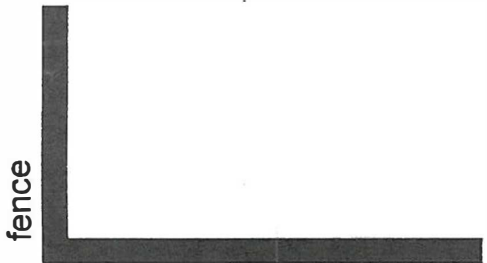
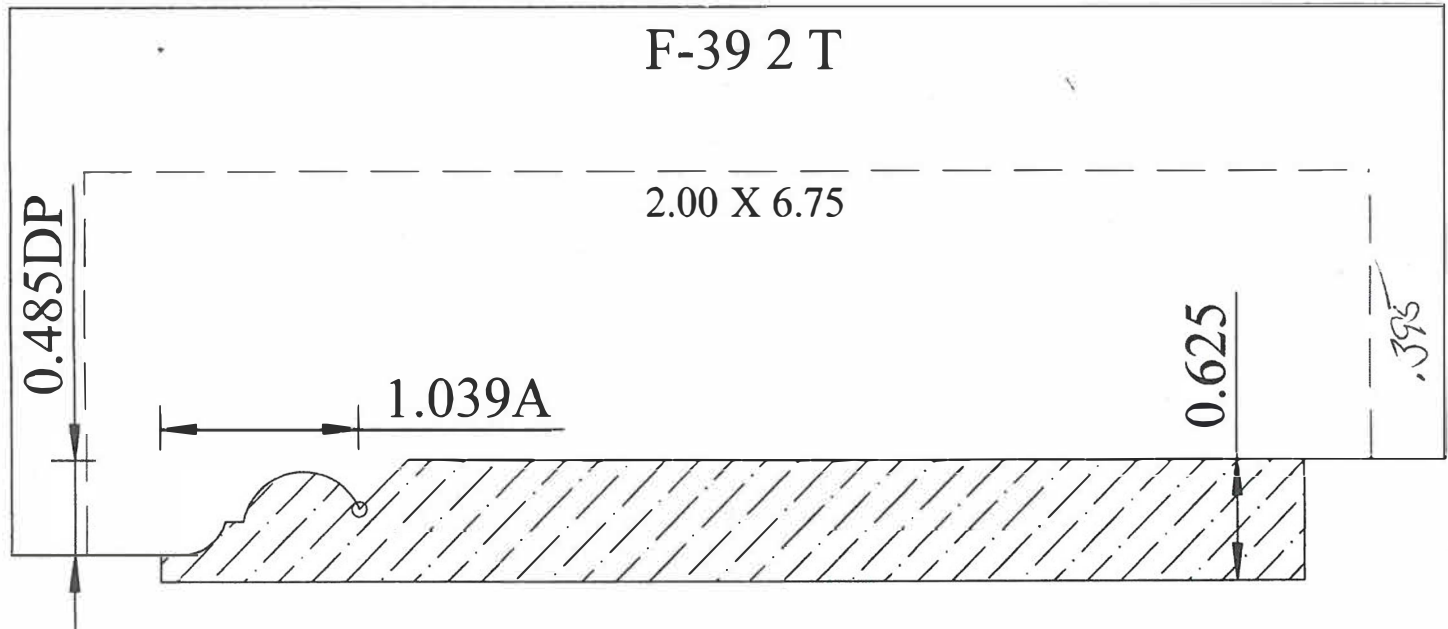
Date: _____

DRAWN BY: "Michael Neville"



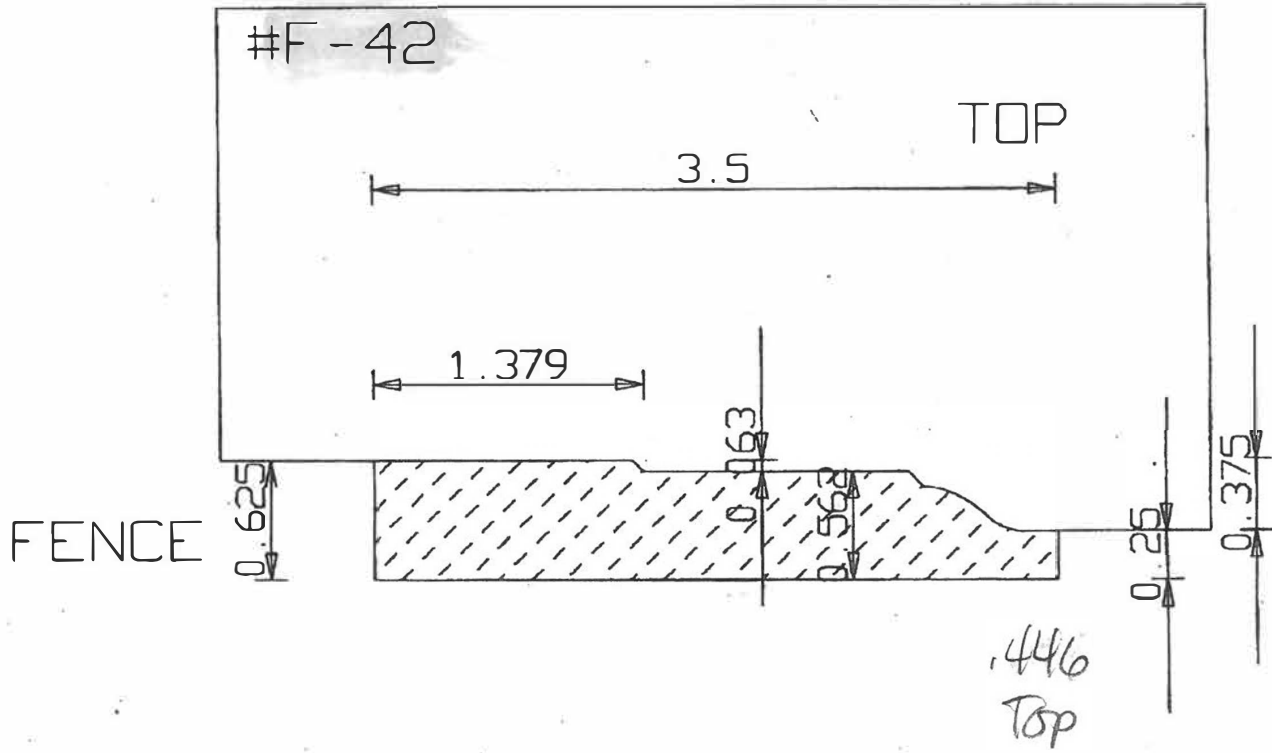
5/8 x 4-1/2

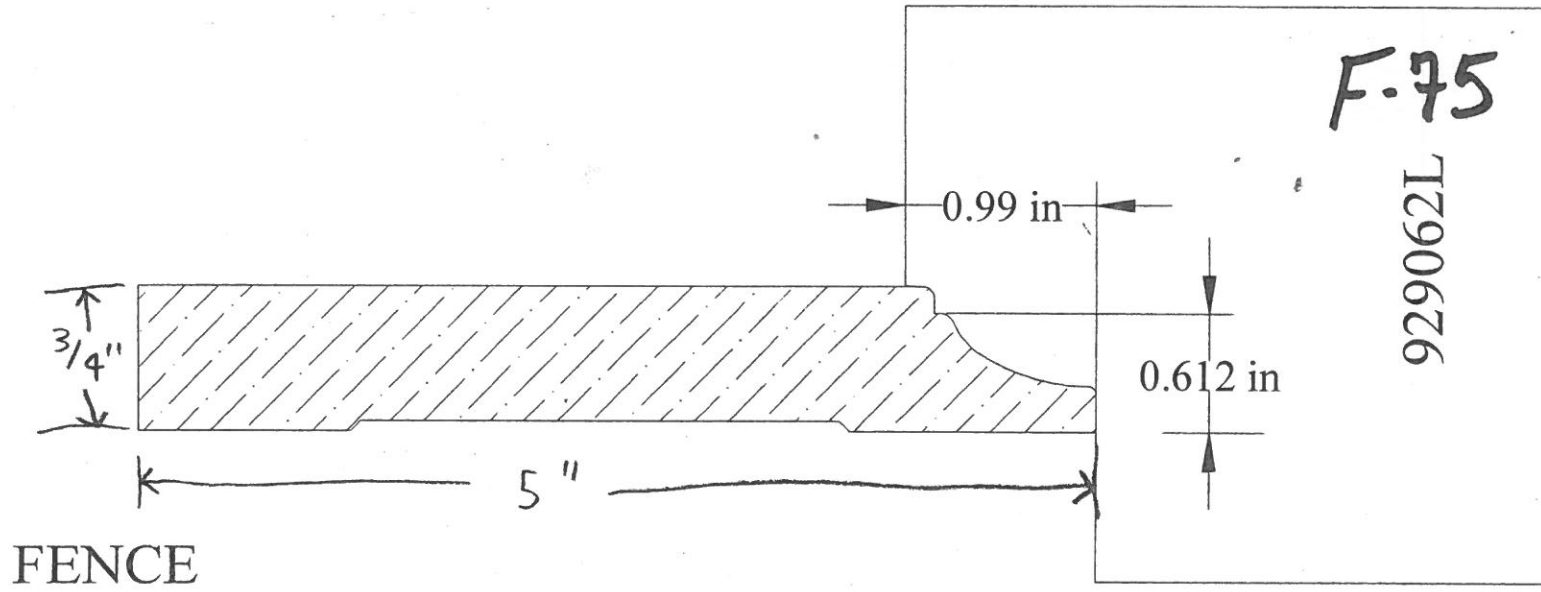
↳ UP TO 6-1/2



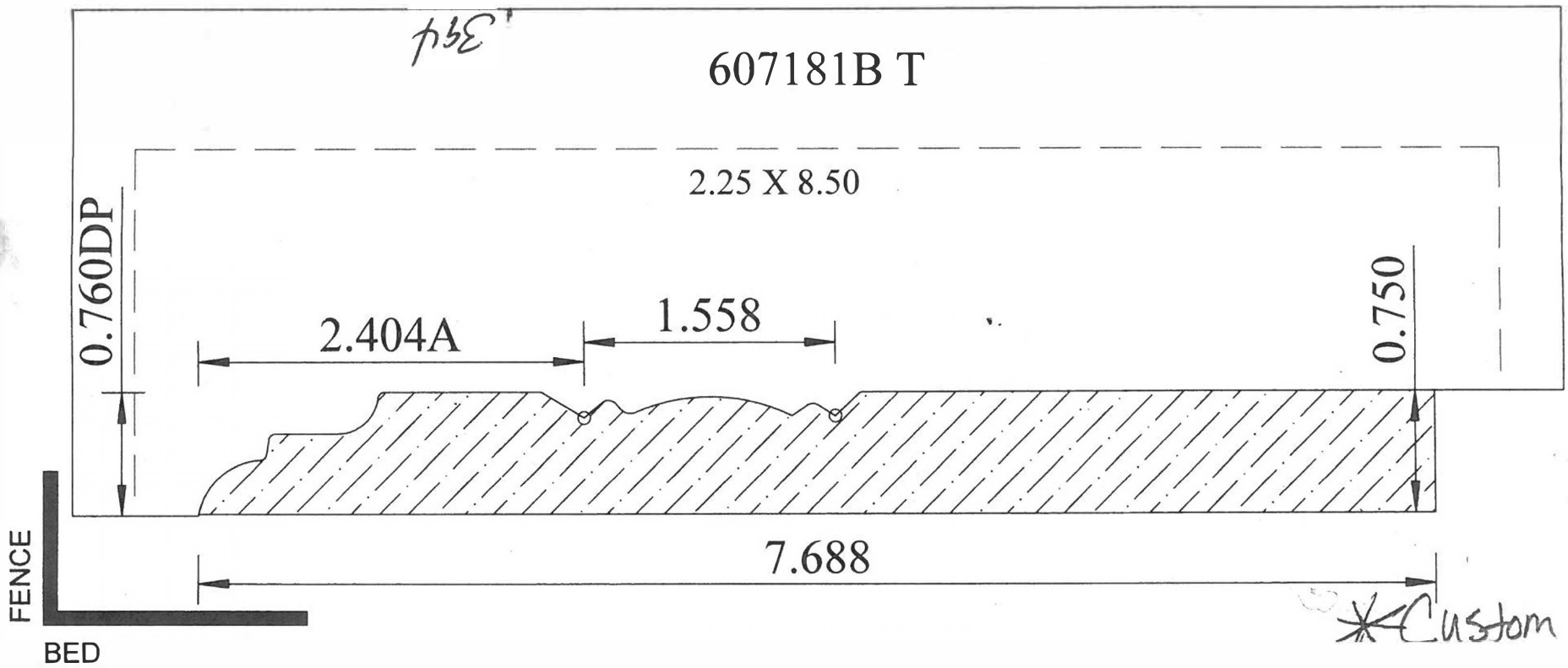
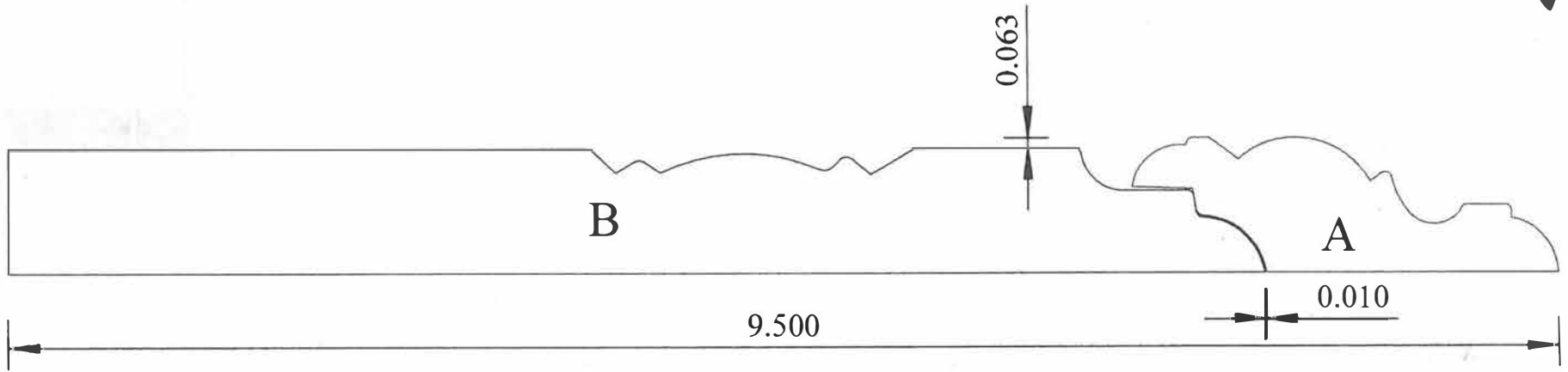
View From Outfeed

CLIENT NAME: _____

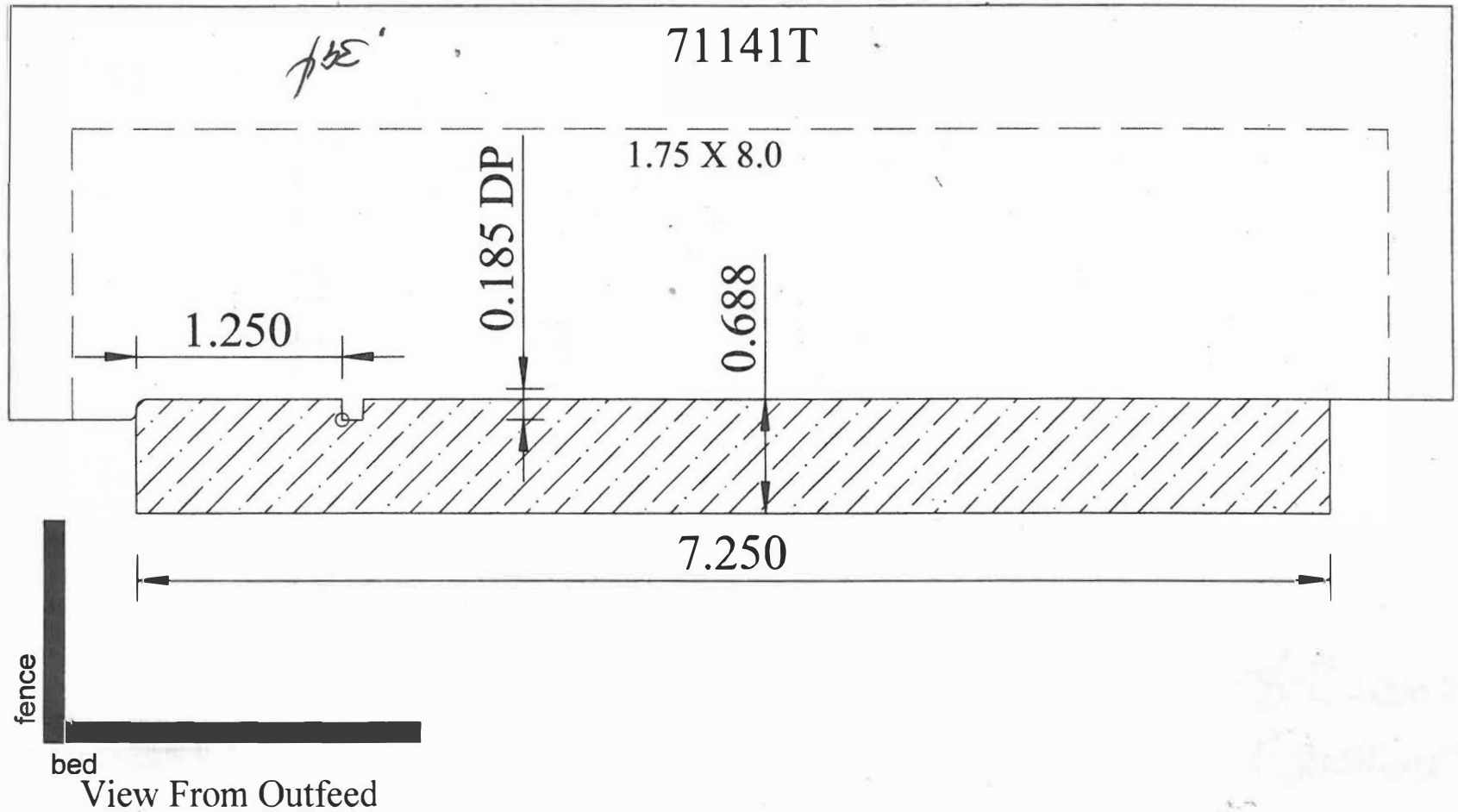




F-54

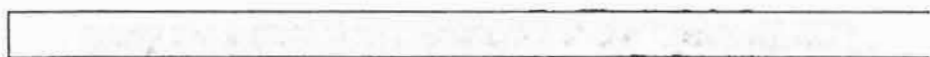


F-88

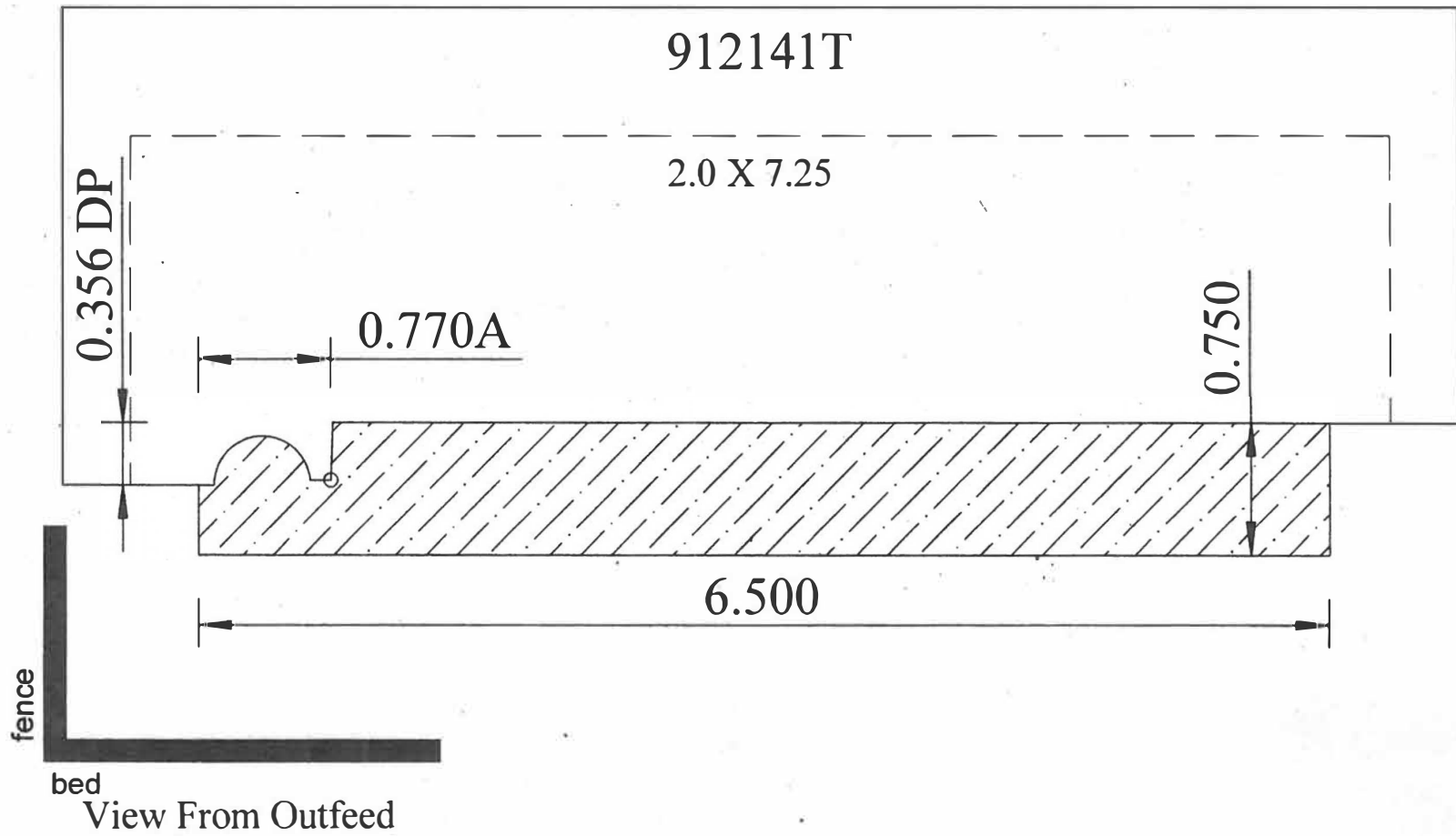


Client Name: _____

Sign for approvals: _____ Date: _____



F-96



Client Name: _____

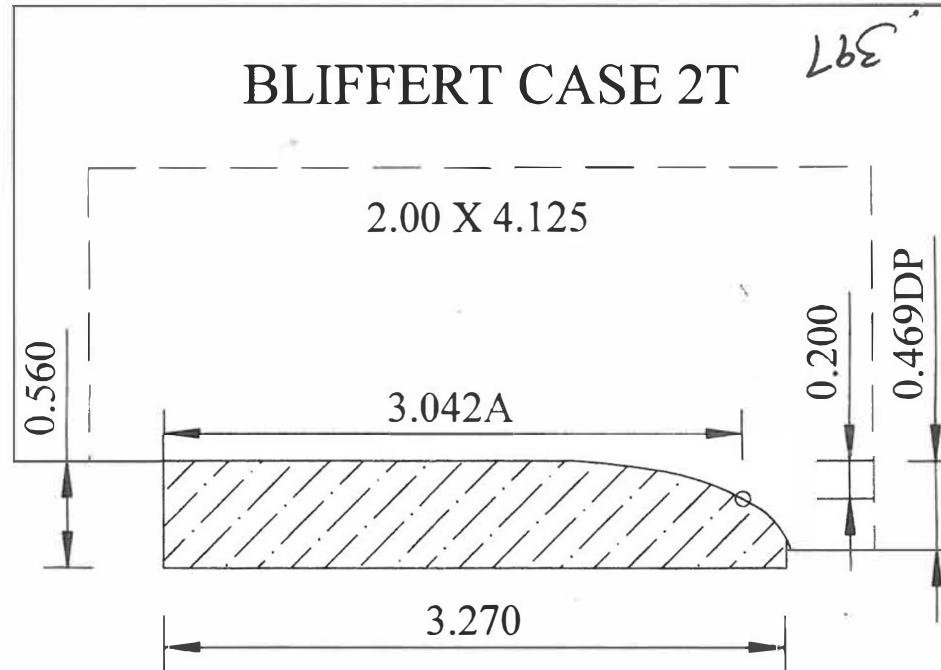
Sign for approvals:

DRAWN BY: "Michael Neville"

Date: _____



6-57



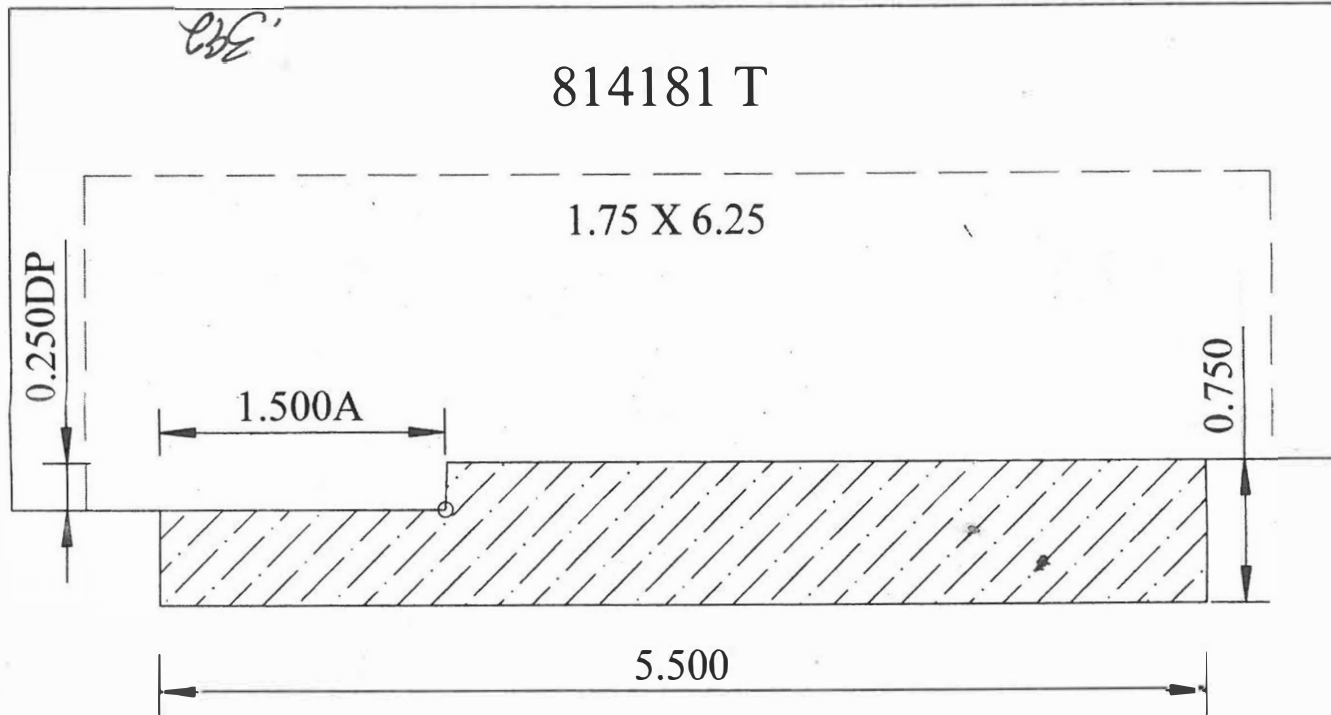
VIEW FROM OUTFEED

CLIENT NAME: _____

SIGN FOR APPROVALS: X _____

DATE: _____

G-60

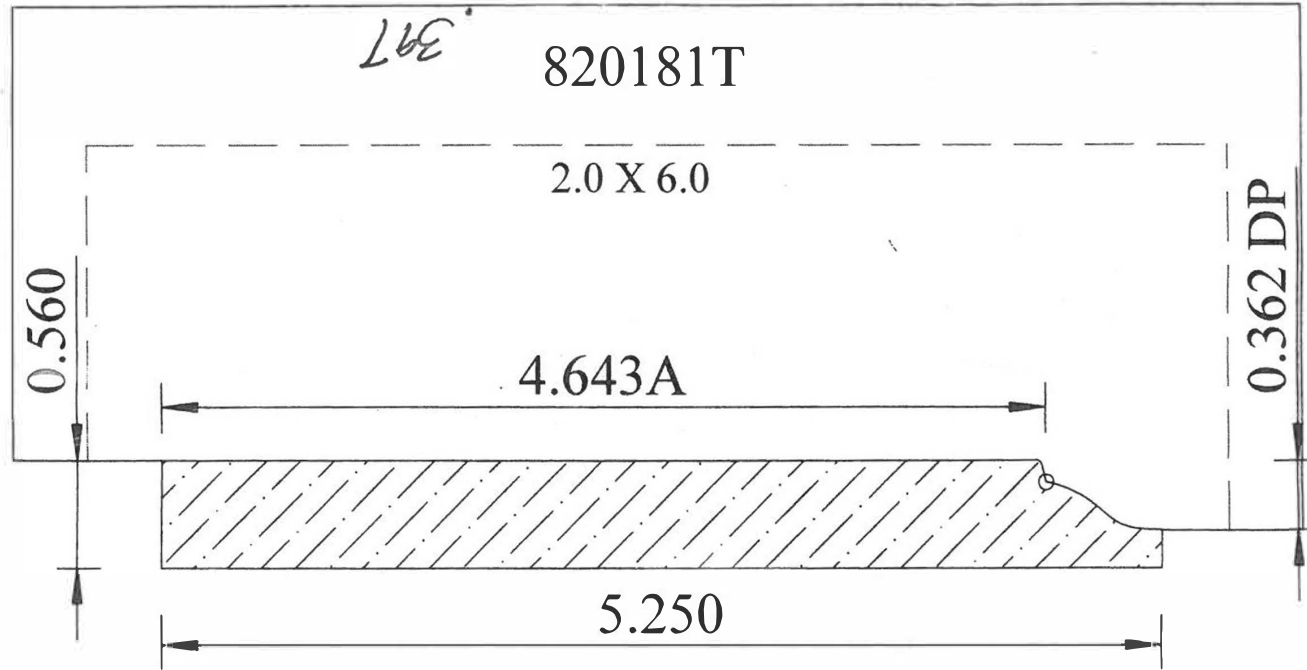


CLIENT NAME: _____

SIGN FOR APPROVALS: X _____
DRAWN BY: MARIA ALEMAN

DATE: _____

G-61

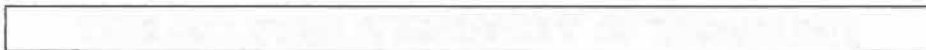


fence
bed
View From Outfeed

Client Name: FILLINGER

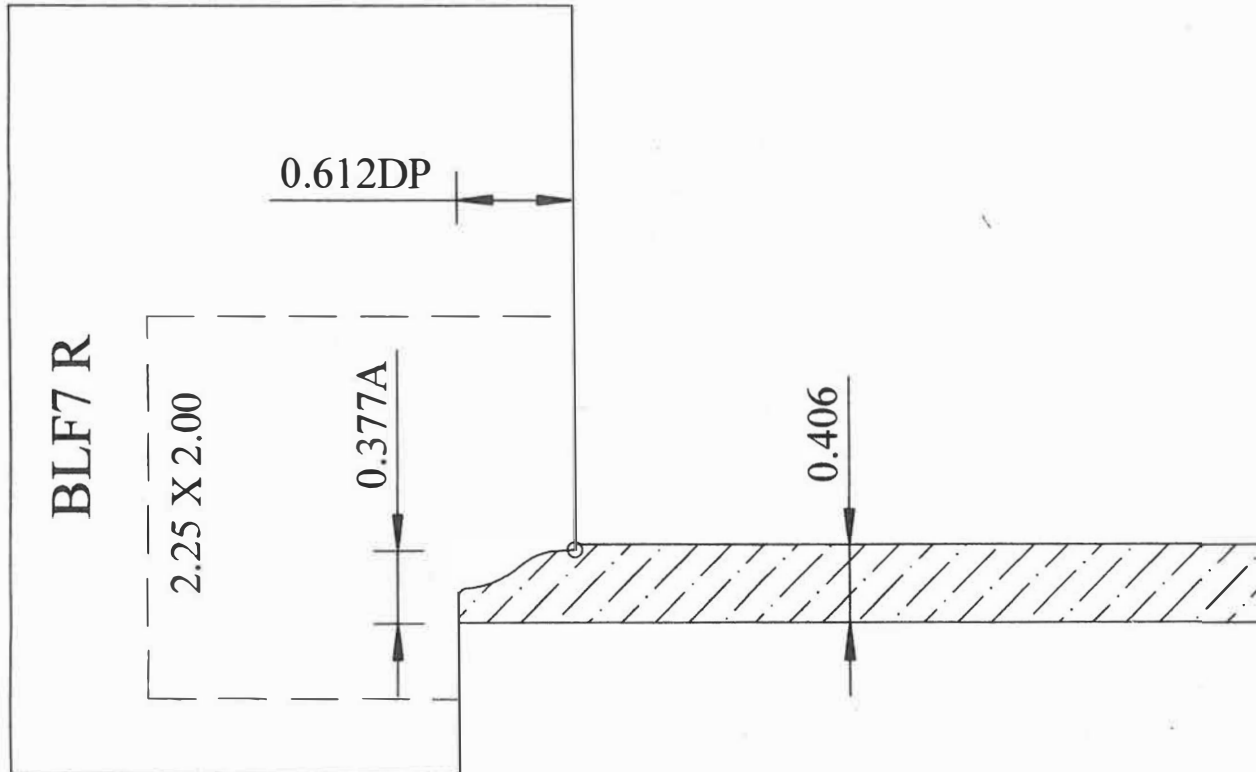
Sign for approvals: X
DRAWN BY: "Michael Neville"

Date: _____



G-62

G-62



BED

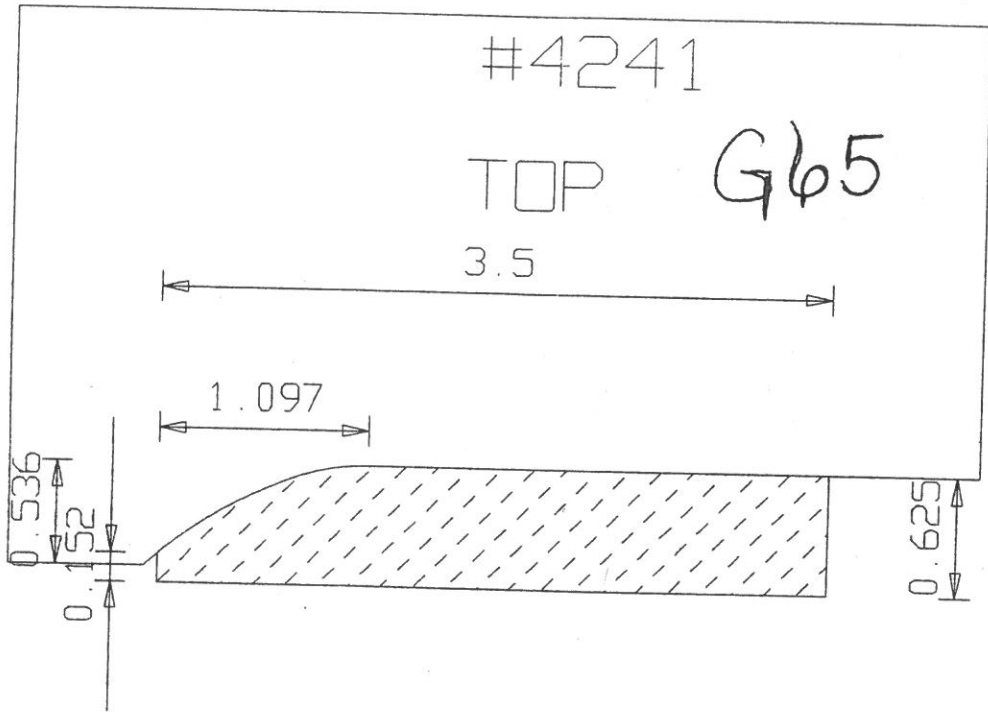
VIEW FROM OUTFEED

CLIENT NAME: FILLINGER

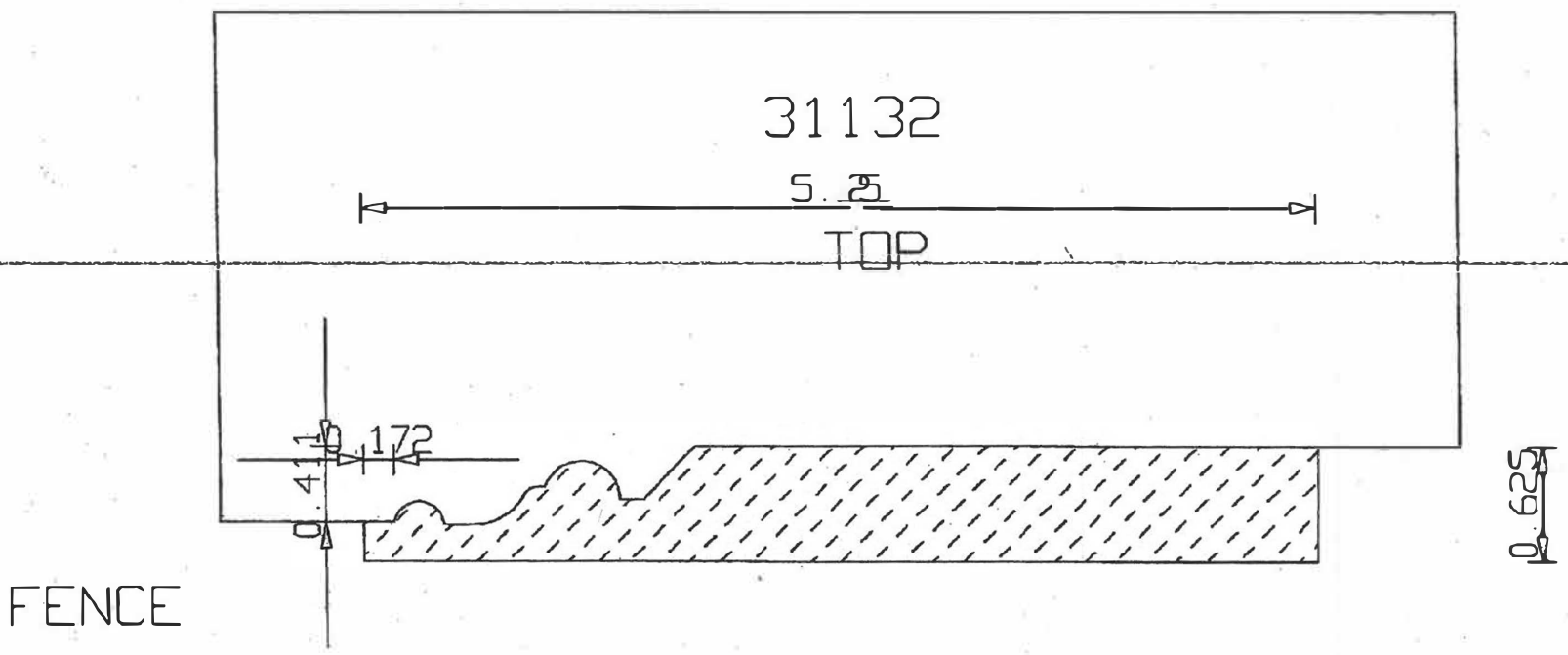
SIGN FOR APPROVALS: X _____
DRAWN BY: MARIA ALEMAN

DATE: _____

FENCE



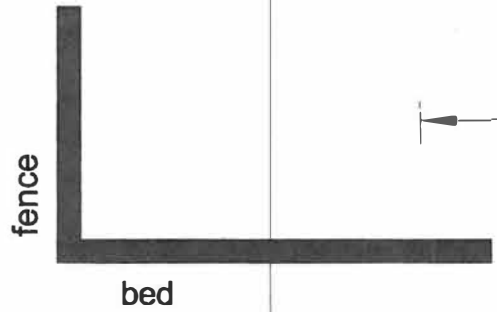
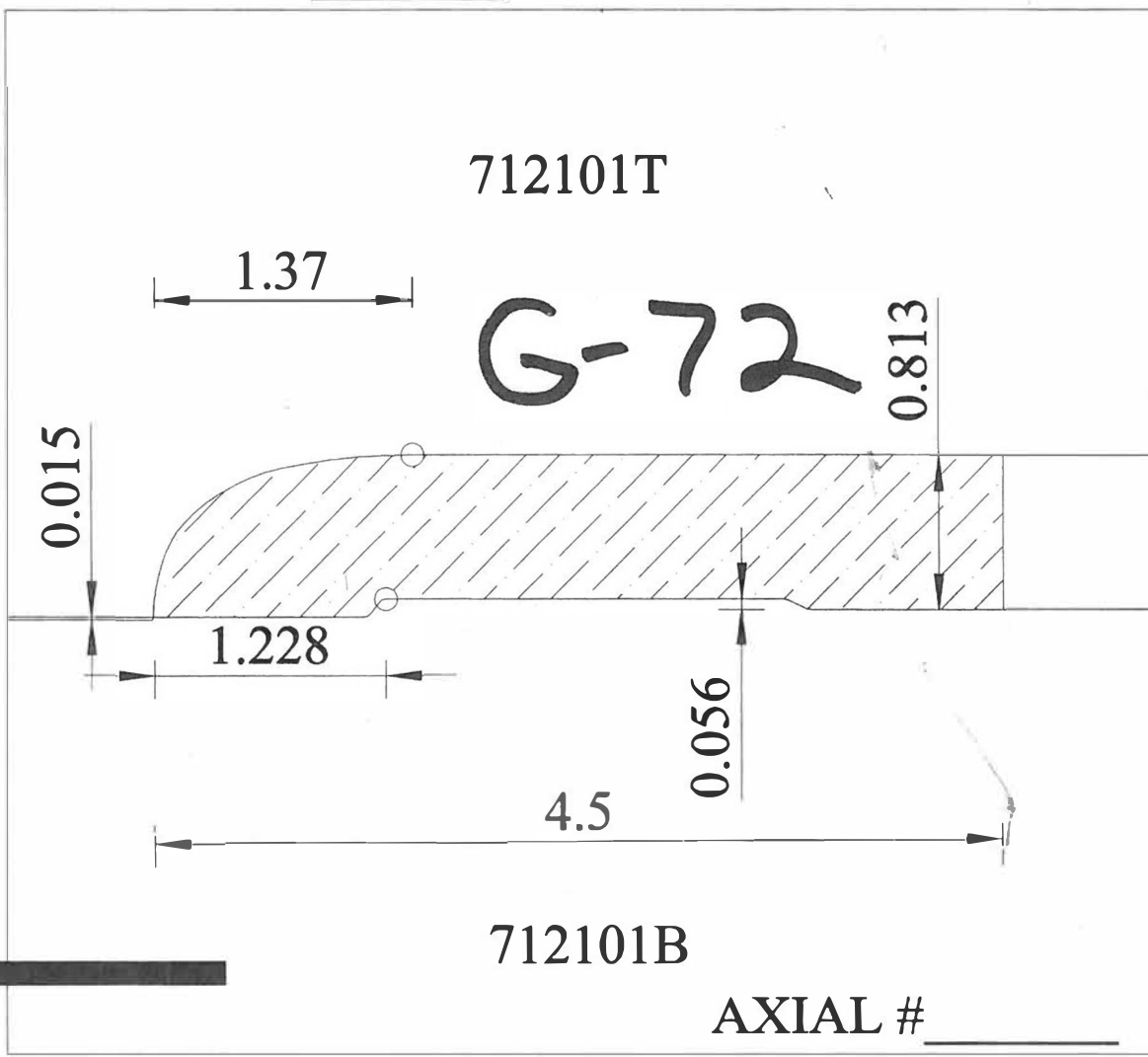
Gibb



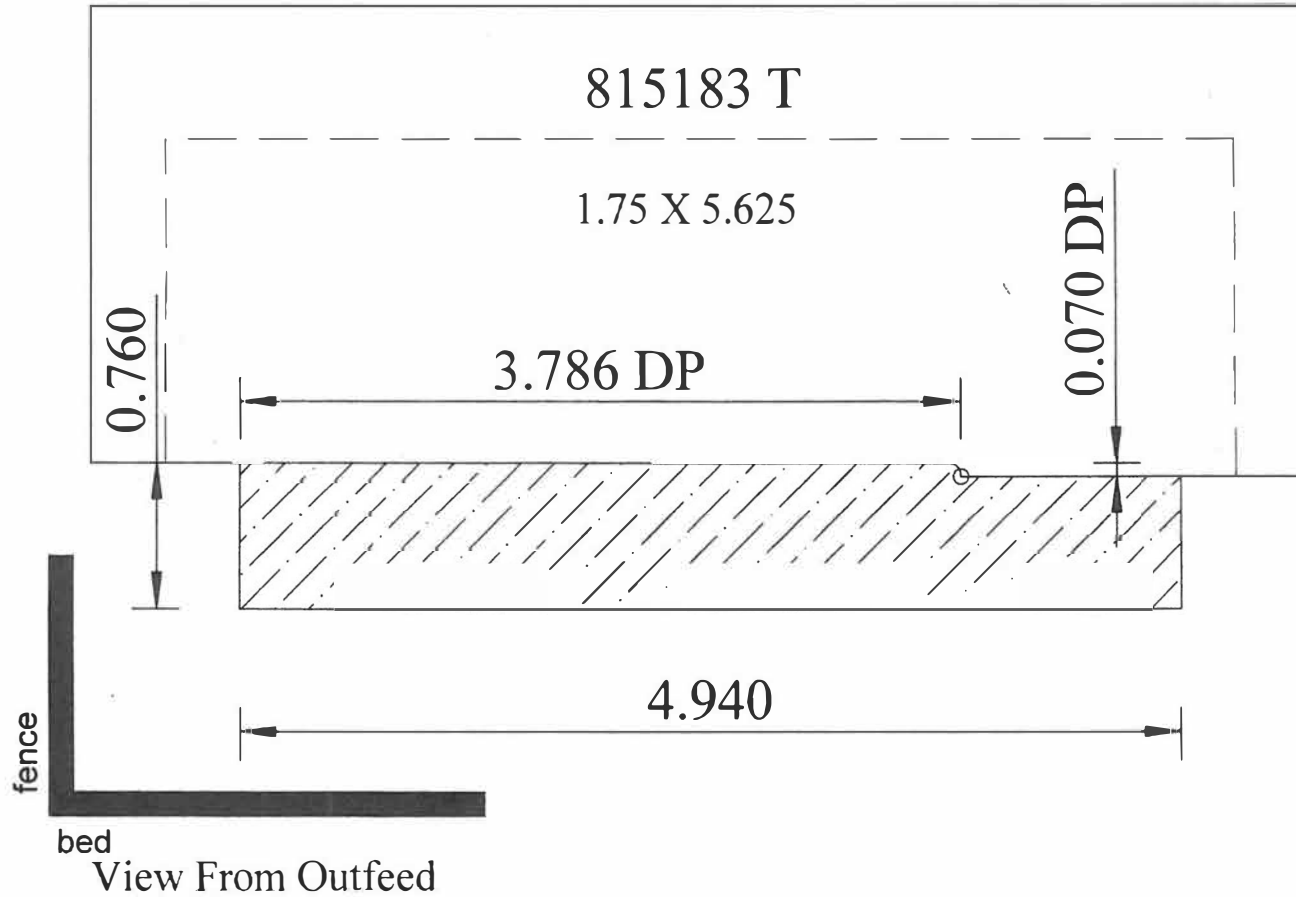
M3+HSS	Double-Back	Supre
TCT Inlaid	Insert	SRS

AXIAL # _____

G-72

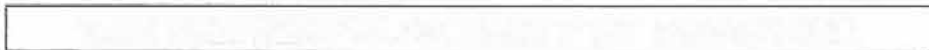


H-55

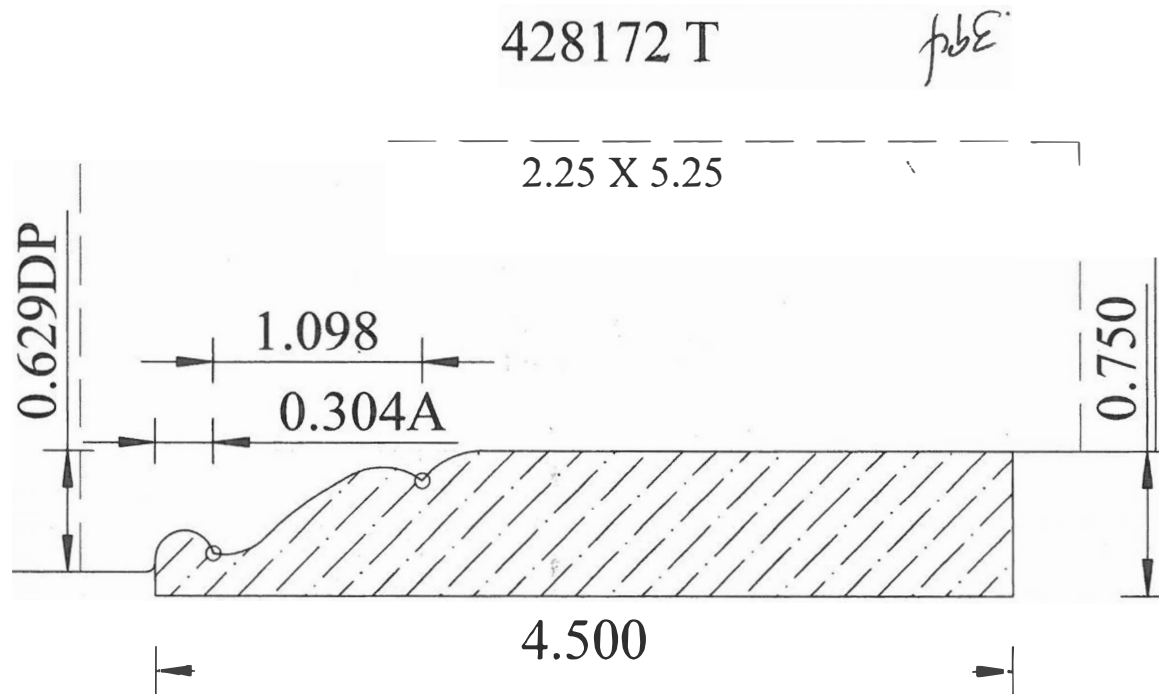


Client Name: FILLINGER

Sign for approvals: X _____ Date: _____
DRAWN BY: "Igor Arsenovich"



H-69



FENCE

BED

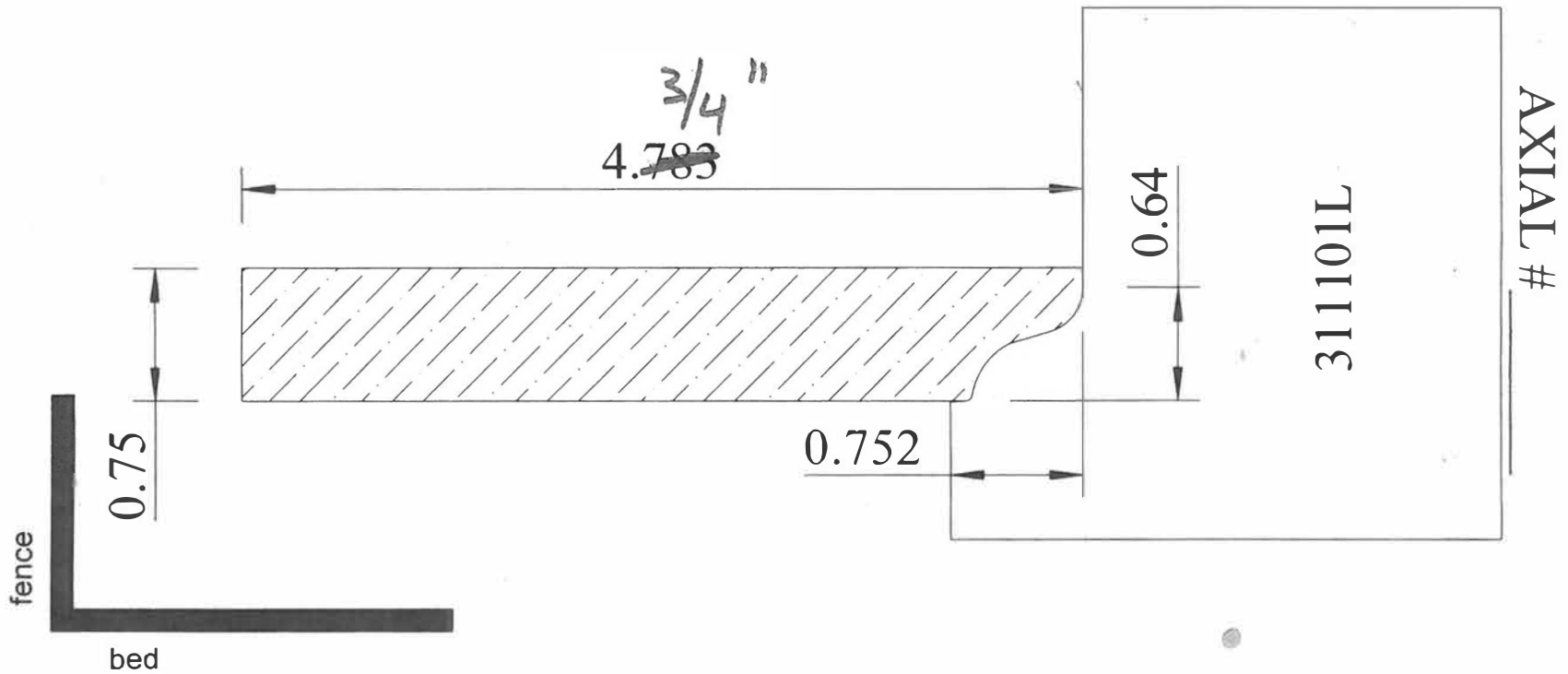
VIEW FROM OUTFEED

The diagram shows an L-shaped symbol representing a fence and bed. The vertical line is labeled 'FENCE' and the horizontal line is labeled 'BED'. Below the symbol, the text 'VIEW FROM OUTFEED' is written.

Services Requested & Material Selection
(circle all that apply)

	Finished	Rough
M3+HSS	Double-Back	Supre
TCT Inlaid	Insert	SRS

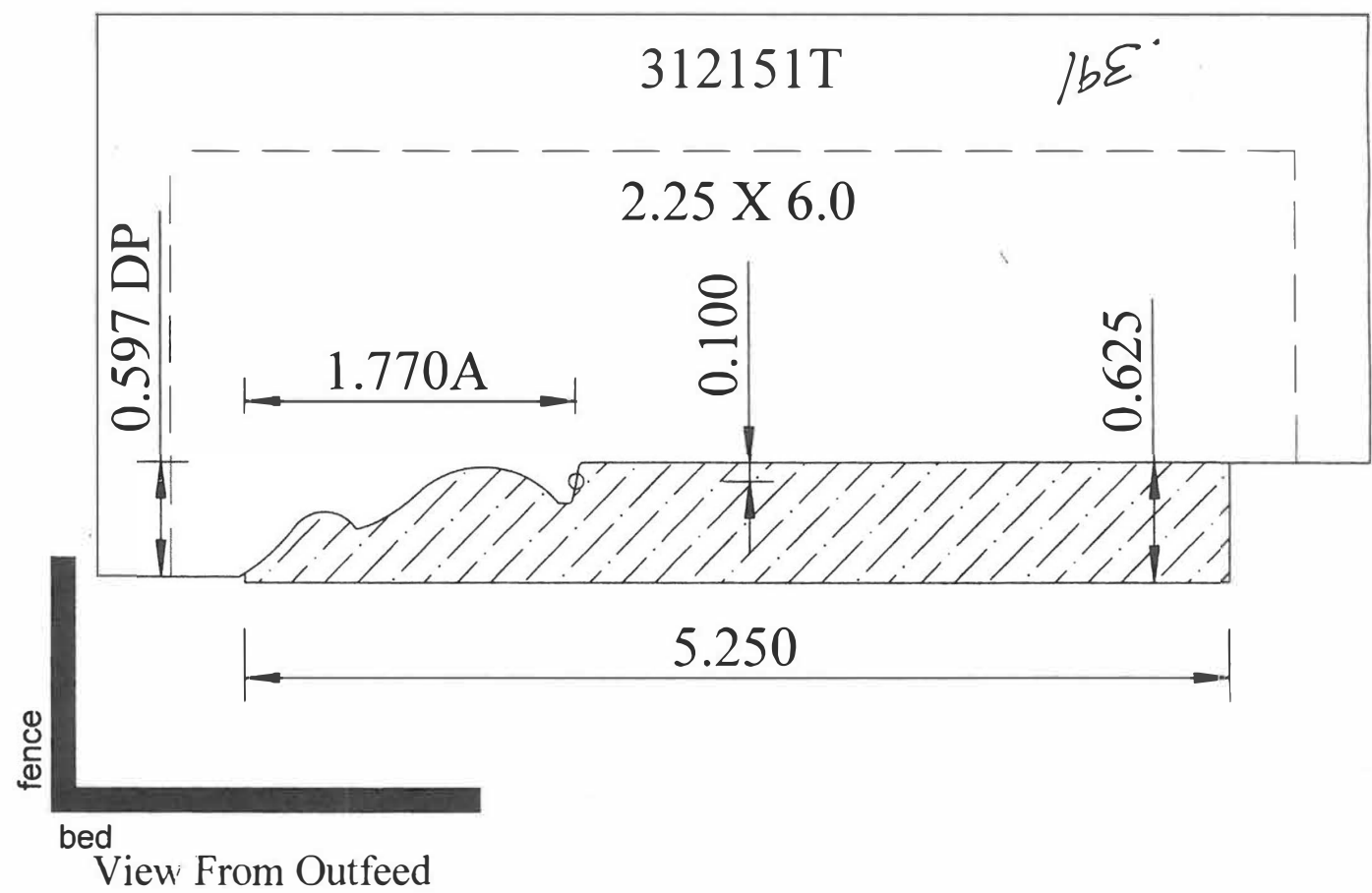
H-75



Sign for approval or make changes: X

Thank you

H-84

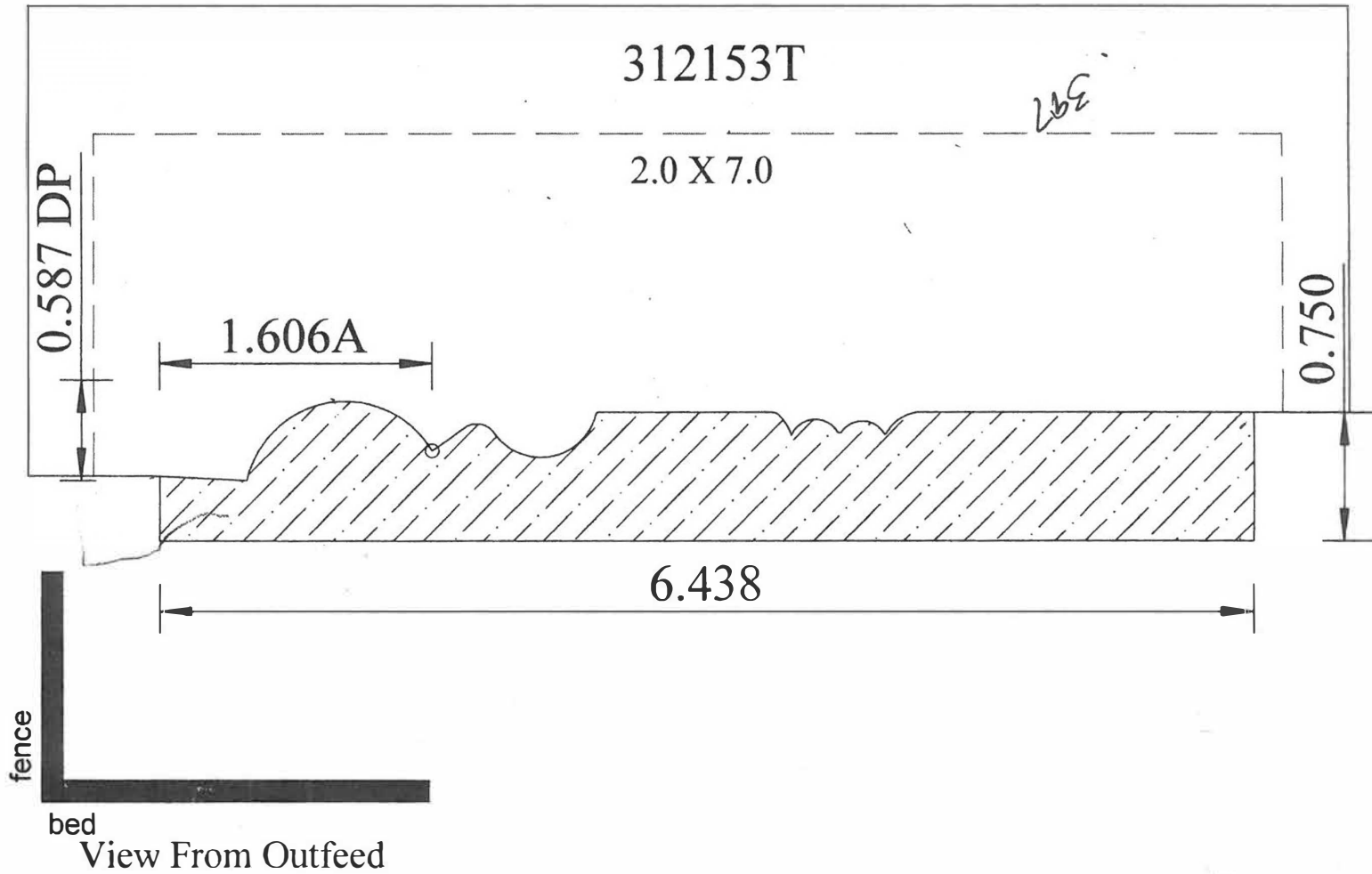


Client Name: FILLINGER INC

Sign for approvals: X Date: _____
DRAWN BY: "Michael Neville"



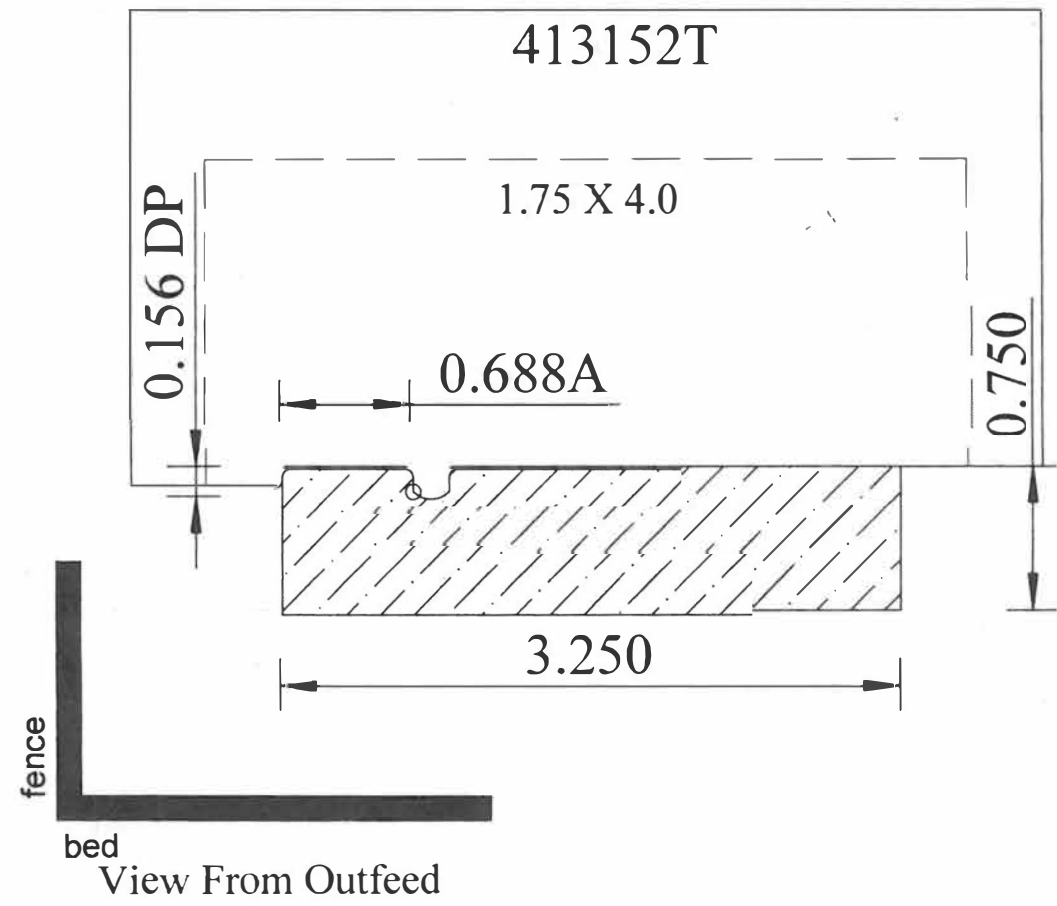
H-86



Client Name: FILLINGER INC

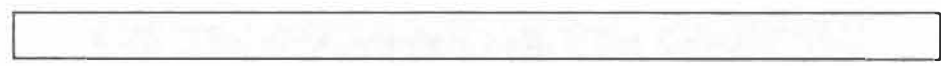
Sign for approvals: X Date: _____
DRAWN BY: "Michae INe ville "

H-93



Client Name: FILLINGER INC

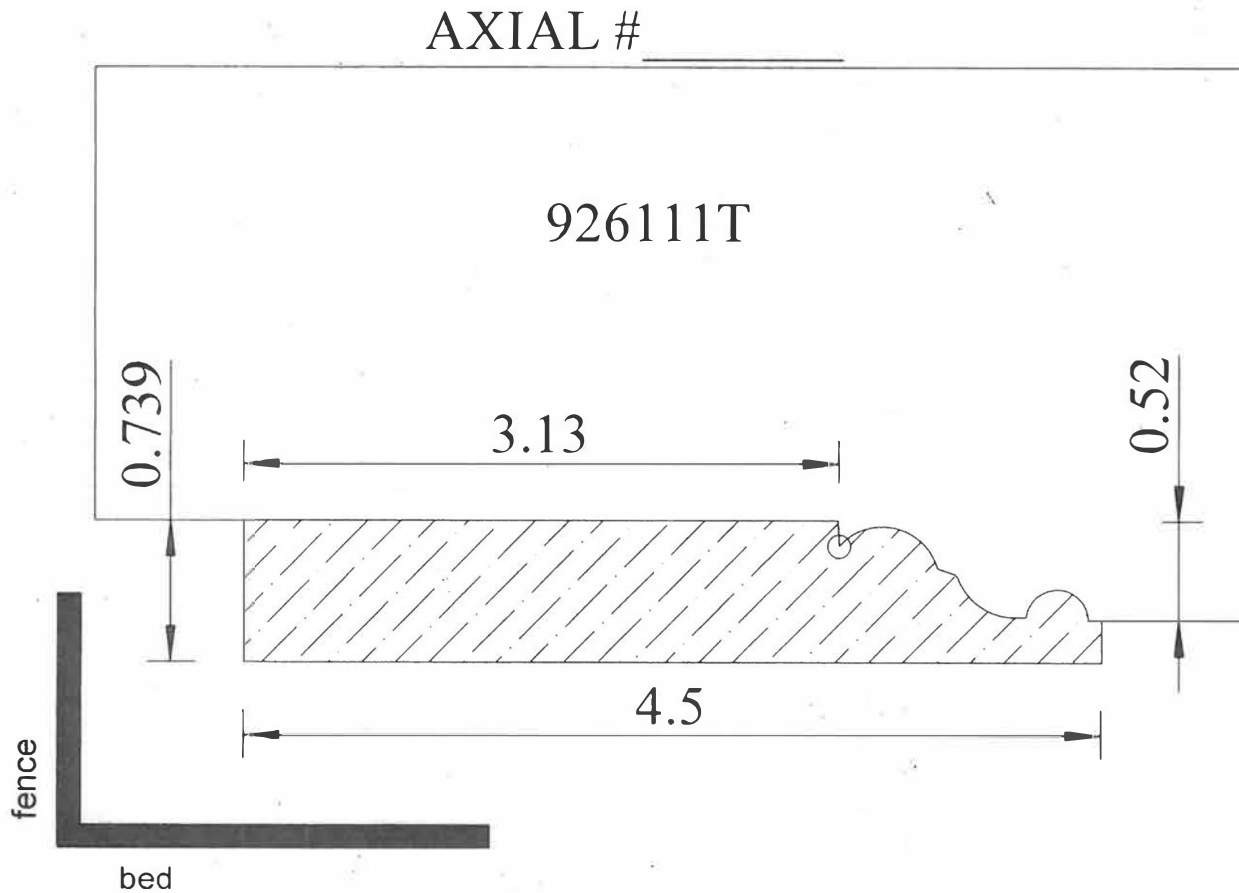
Sign for approvals: X Date: _____
DRAWN BY: "Michael Neville"



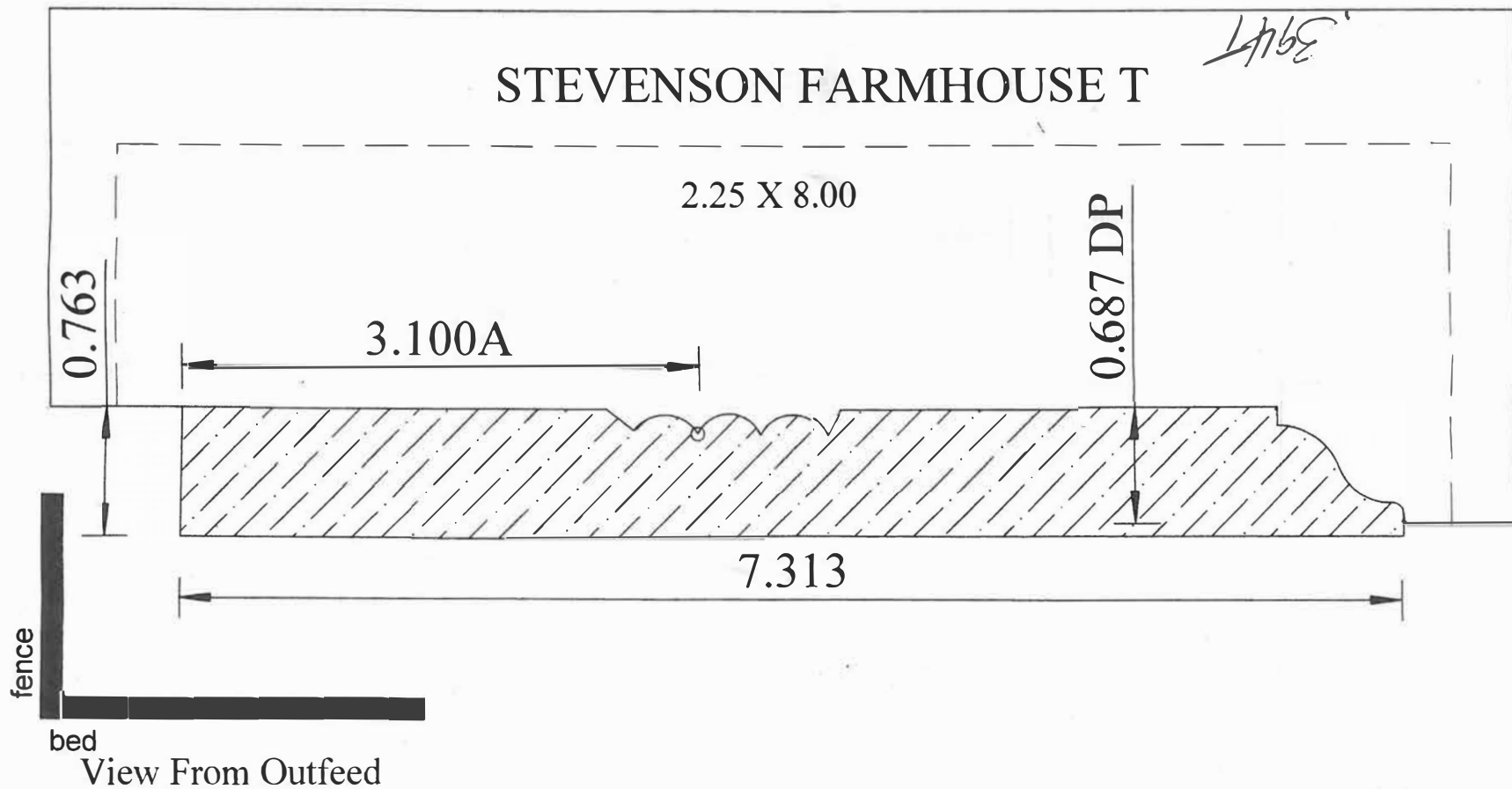
Services Requested & Material Selection
(circle all that apply)

	Finished	Rough
M3+HSS	Double-Back	Supre
TCT Inlaid	Insert	SRS

I-31



I-57



Client Name: FILLINGER

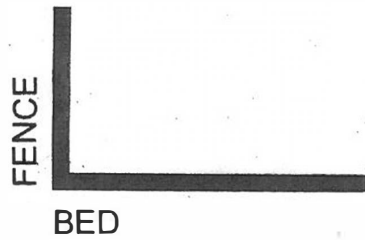
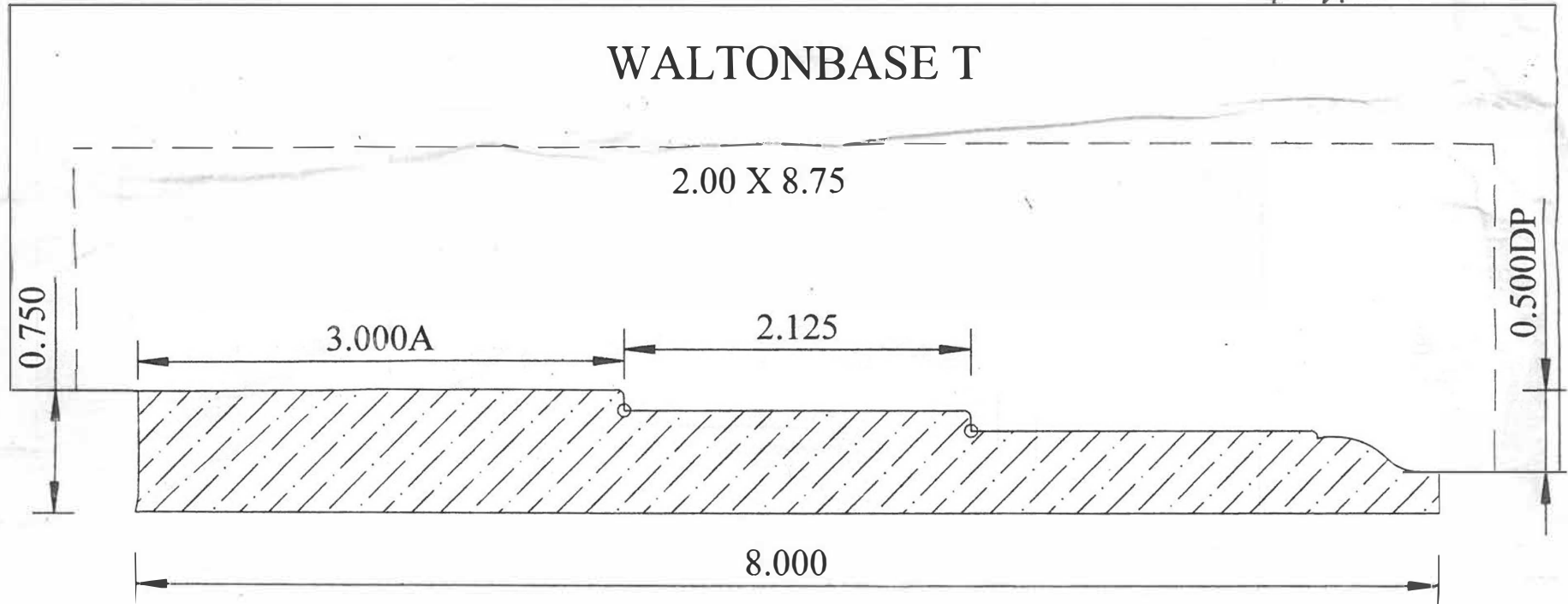
Sign for approvals: X
DRAWN BY: "Igor Arsenovich"

Date: _____



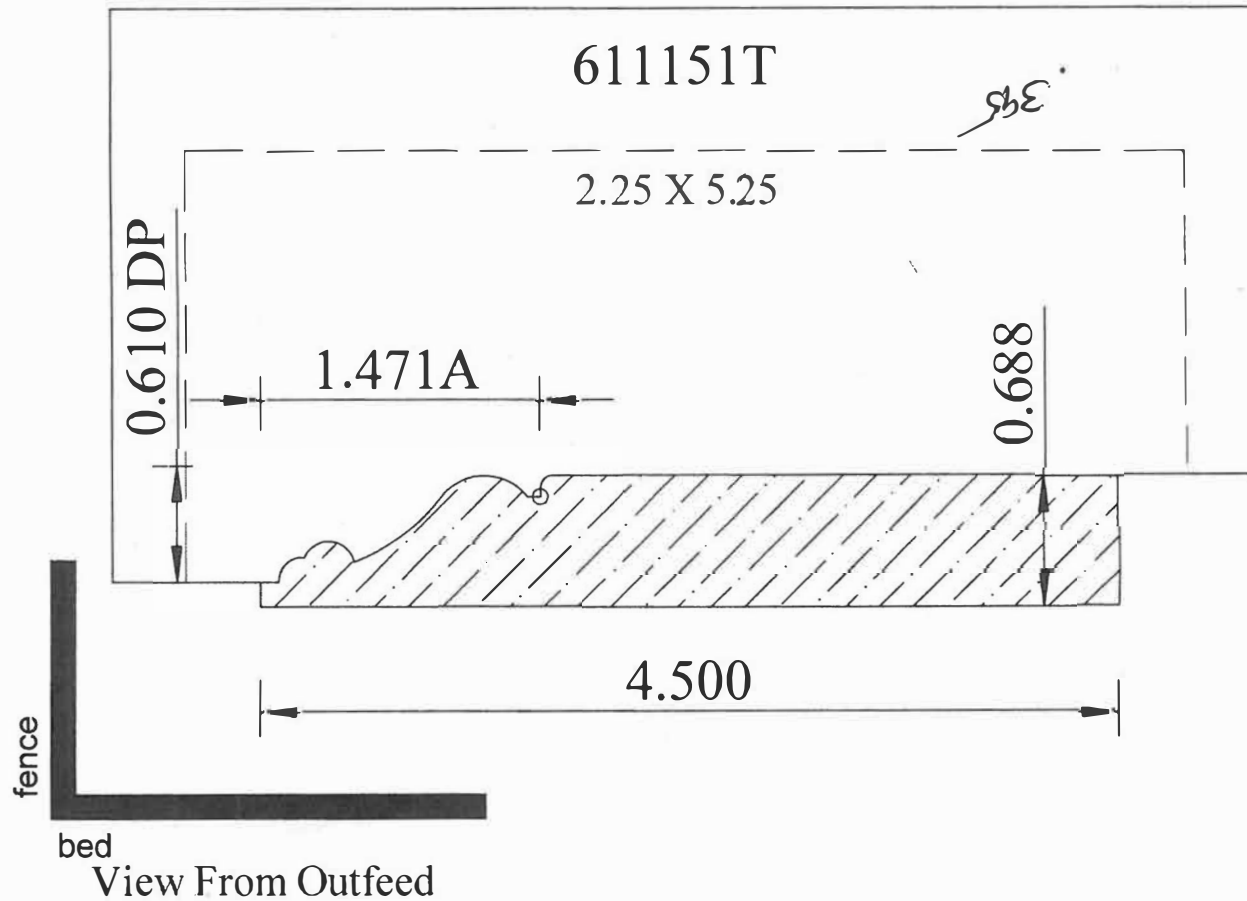
I-59

391T



CLIENT NAME: FILLINGER

I-84



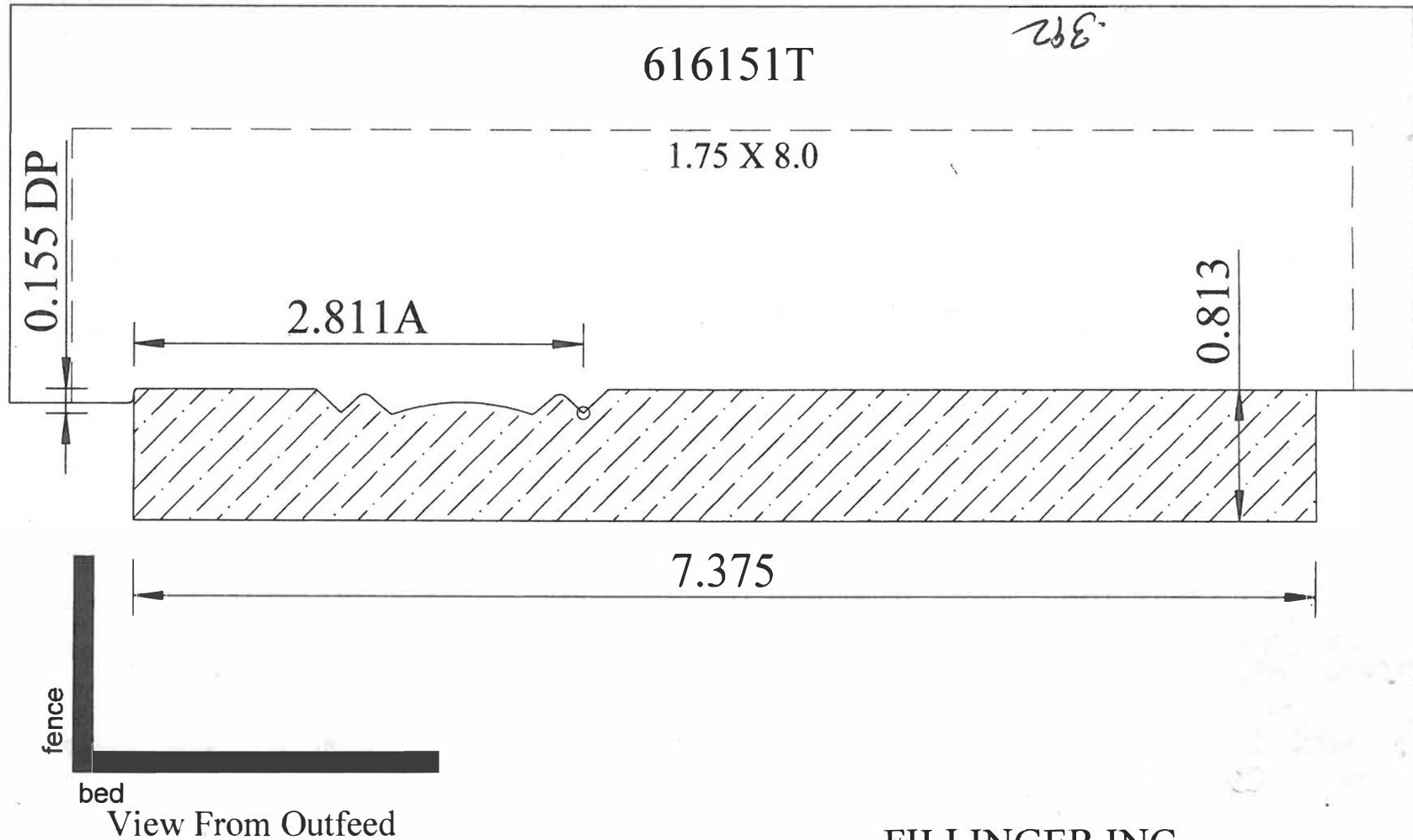
Client Name: FILLINGER INC

Sign for approvals: X

DRAWN BY: "Michael Neville"

Date: _____

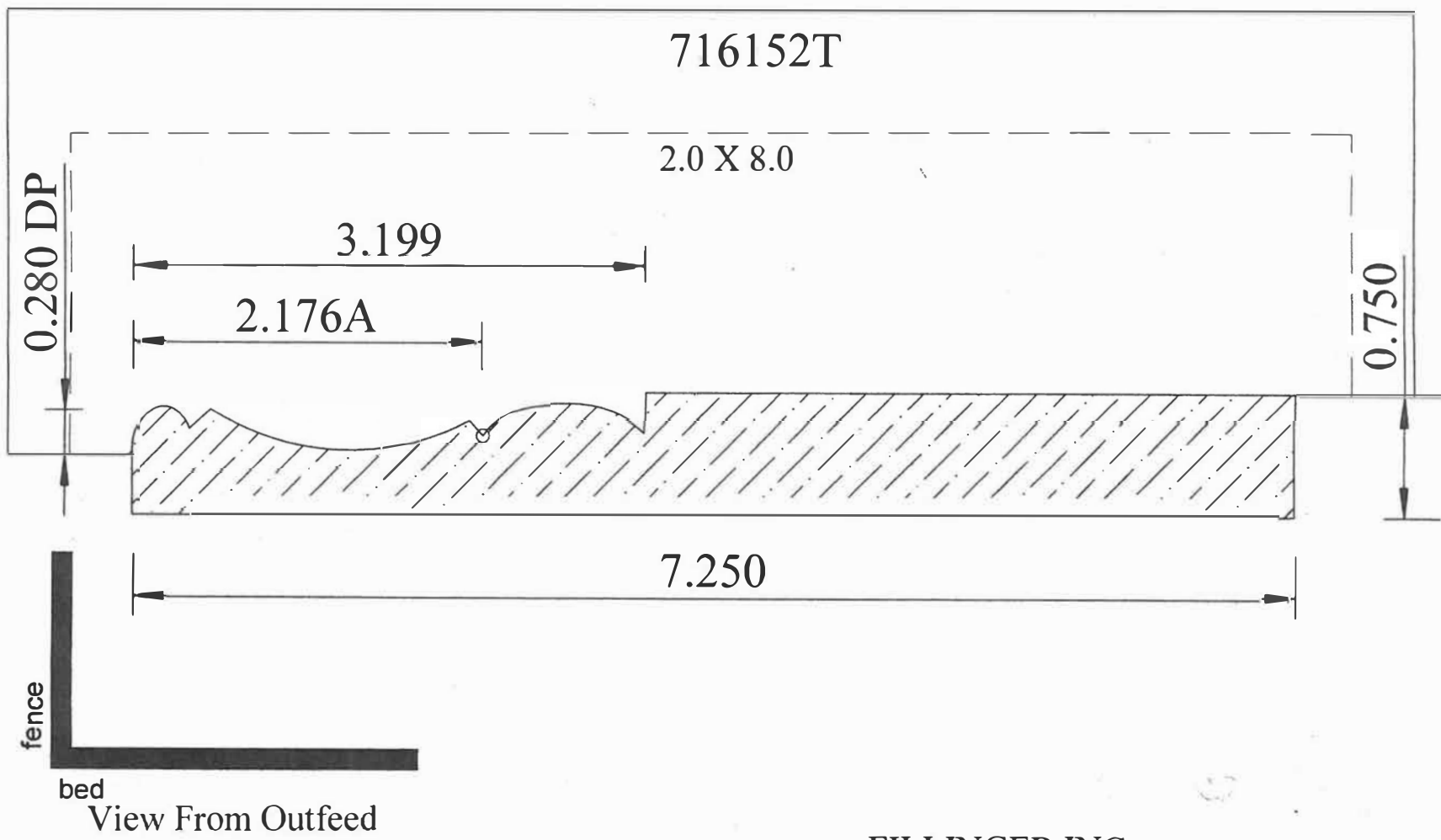
I-85



Client Name: FILLINGER INC

Sign for approvals: X Date: _____
DRAWN BY: "Michael Neville"

I-91

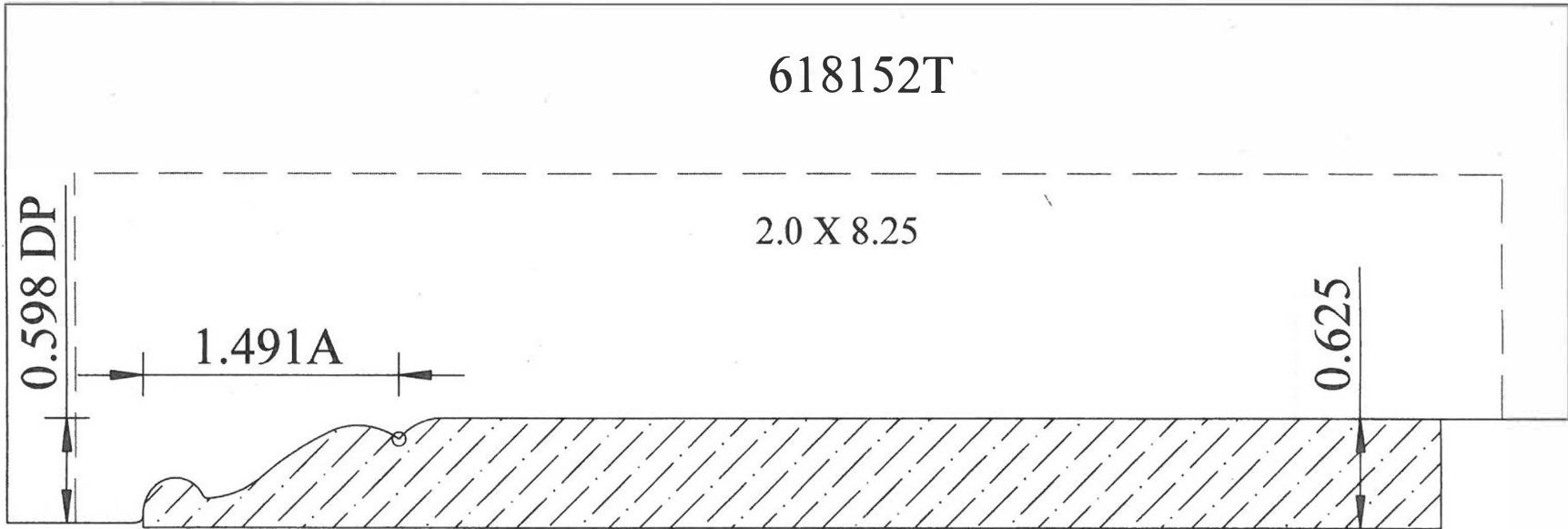


Client Name: FILLINGER INC

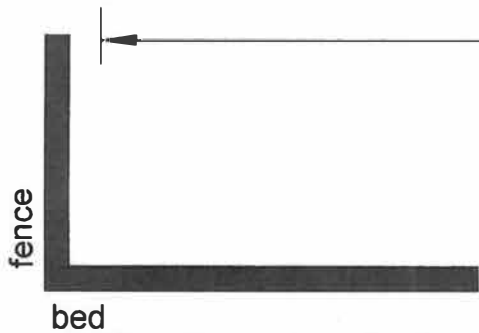
Sign for approvals: X Date: _____
DRAWN BY: "Michael Neville"

THIS DRAWING IS THE PROPERTY OF FILLINGER INC. IT IS TO BE USED ONLY FOR THE PROJECT AND QUANTITY SPECIFIED. IT IS NOT TO BE REPRODUCED OR COPIED IN ANY MANNER WITHOUT THE WRITTEN PERMISSION OF FILLINGER INC.

I-96



7.500



View From Outfeed

Client Name: FILLINGER INC

Sign for approvals: X

Date: _____

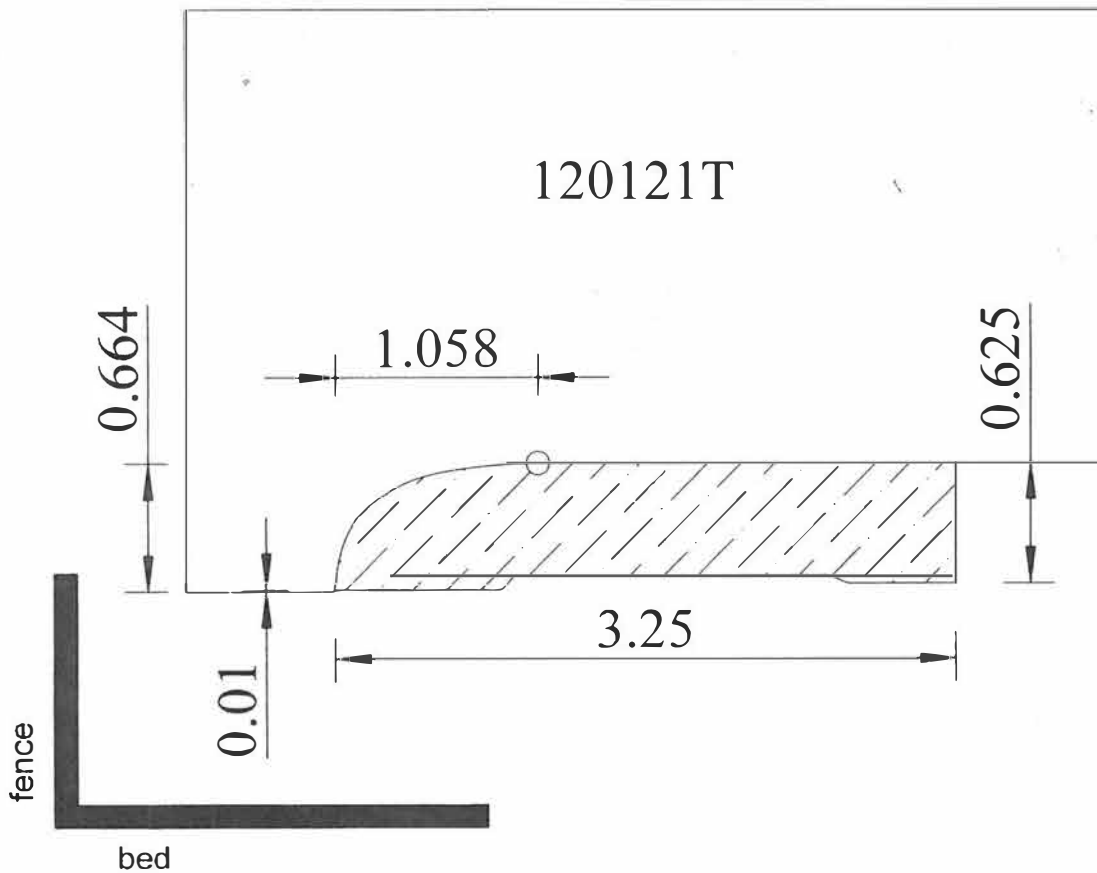
DRAWN BY: "Michael Neville"

Services Requested & Material Selection
(circle all that apply)

	Finished	Rough
M3+HSS	Double-Back	Supre
TCT Inlaid	Insert	SRS

AXIAL # _____

J-36



AFI
F-57 Stock

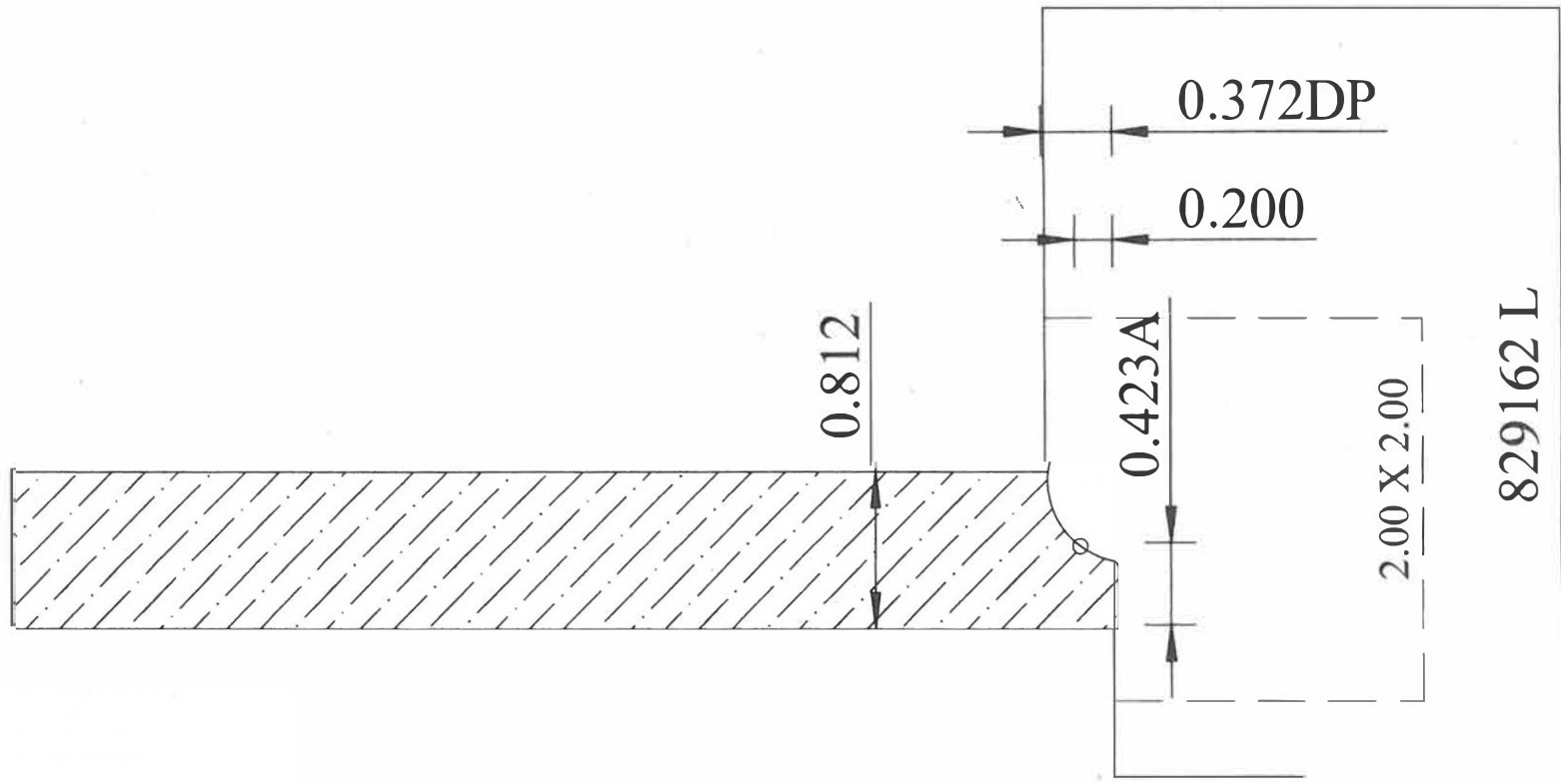
Sign for approval or make changes: _____
DRAWN BY: Jason Lloyd

X _____
Thank you

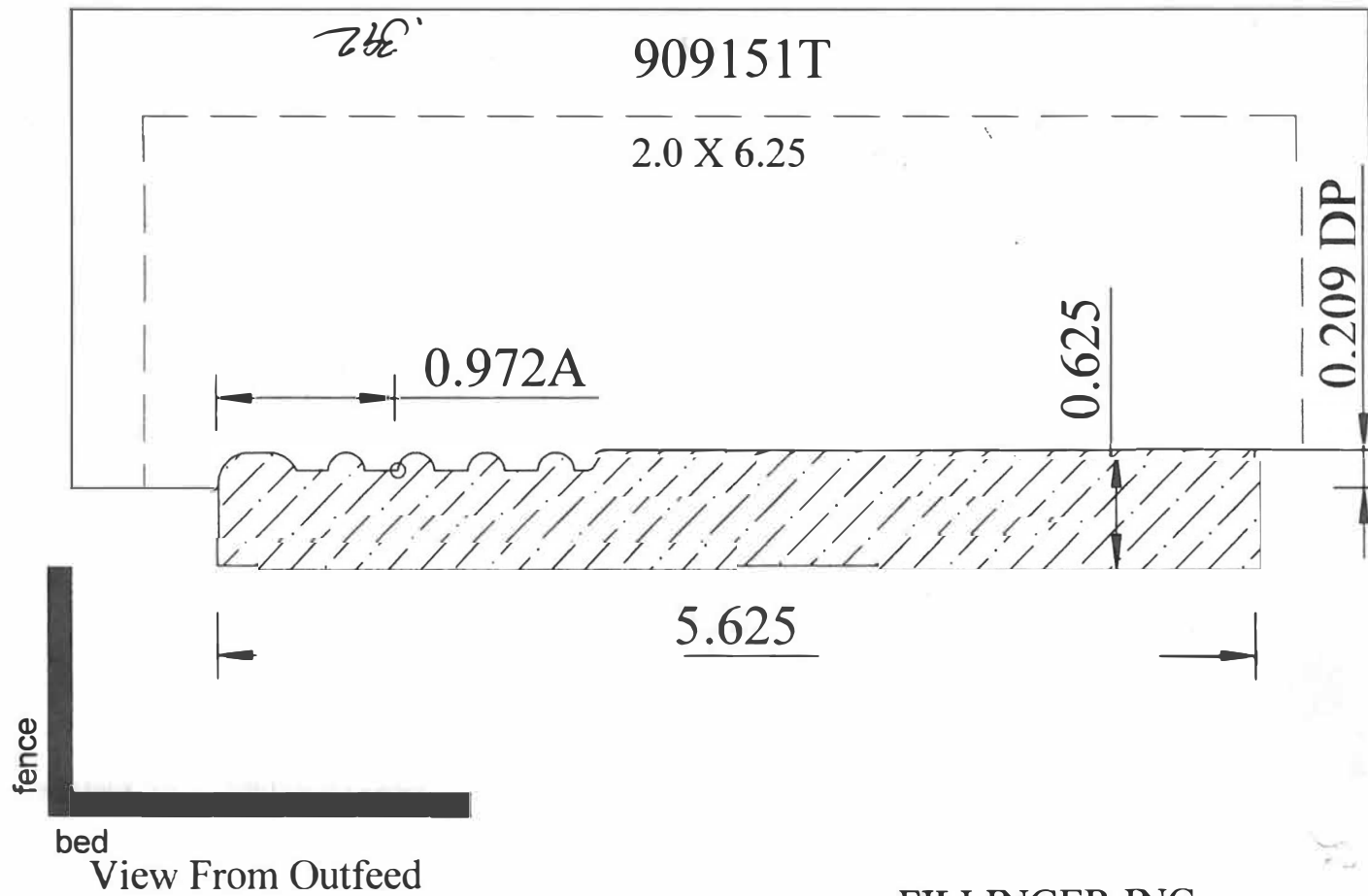
J-72



View From Outfeed



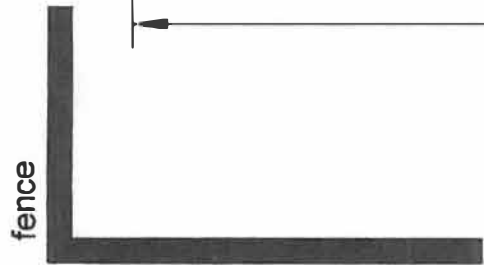
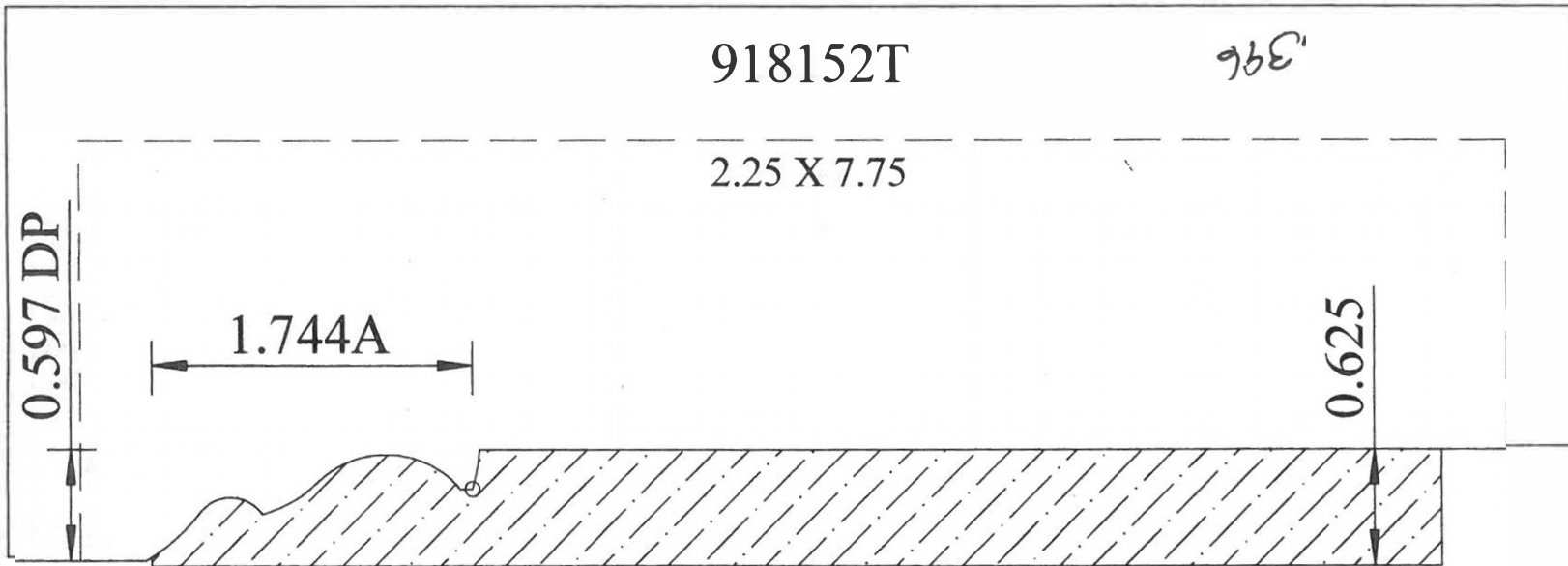
J-83



Client Name: FILLINGER INC

Sign for approvals: X Date: _____

J-86



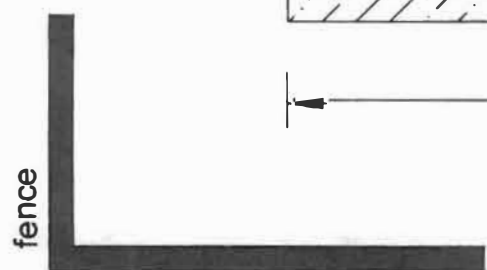
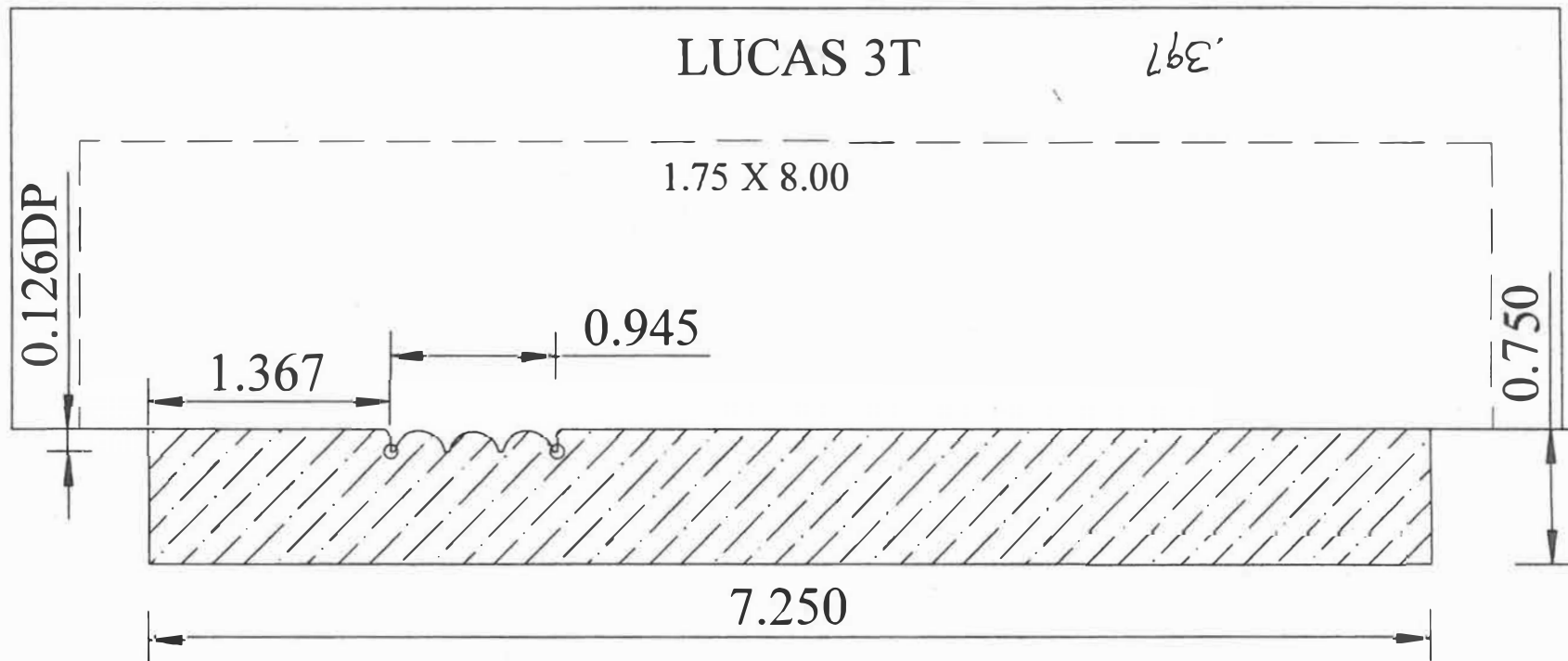
View From Outfeed

Client Name: FILLINGER INC

Sign for approvals: X
DRAWN BY: "Michael Neville"

Date: _____

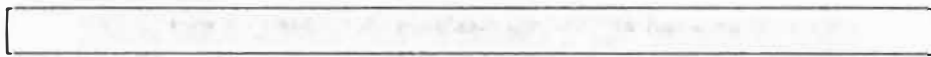
J-87



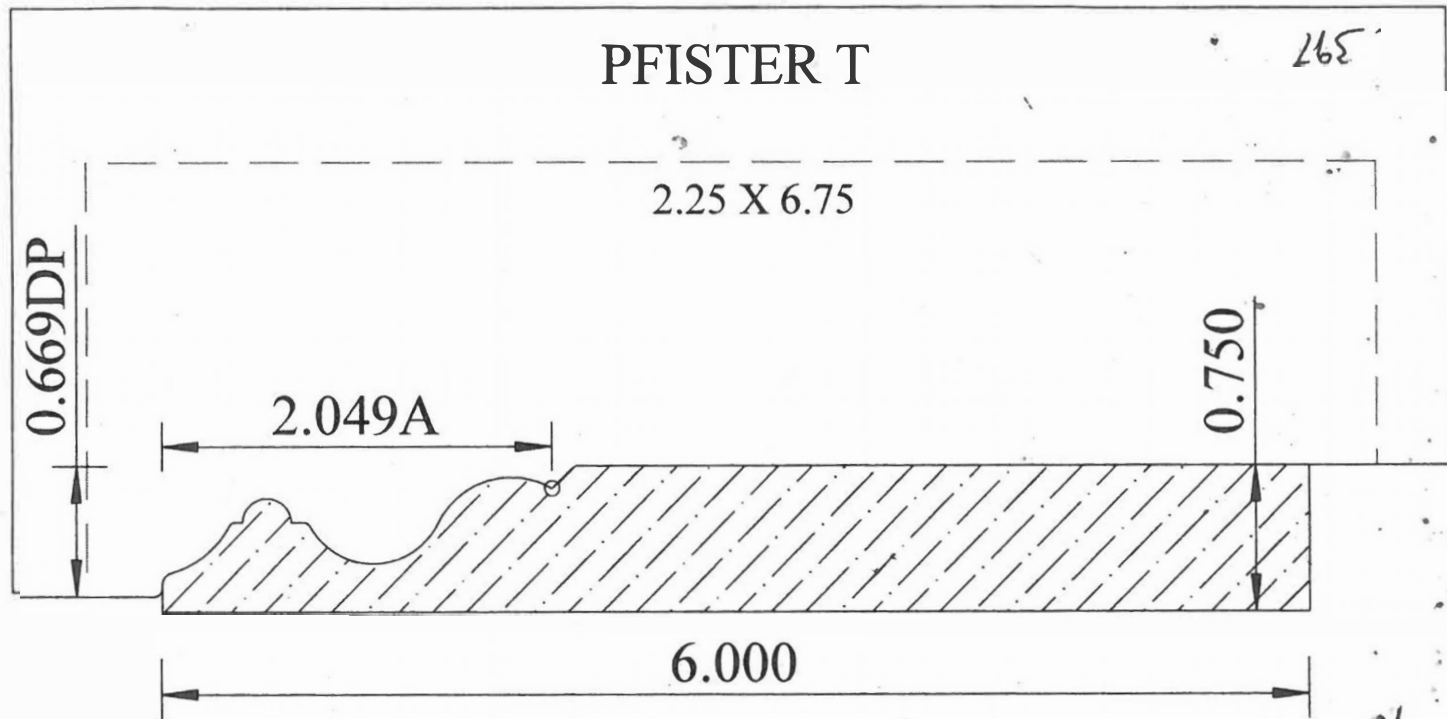
View From Outfeed

CLIENT NAME: FILLINGER

SIGN FOR APPROVALS: X _____
DRAWN BY: MARIA ALEMAN



J-90



265

PFISTER T

2.25 X 6.75

0.669DP

2.049A

0.750

6.000



fence

bed

View From Outfeed

* Custom for
Pfister Hotel

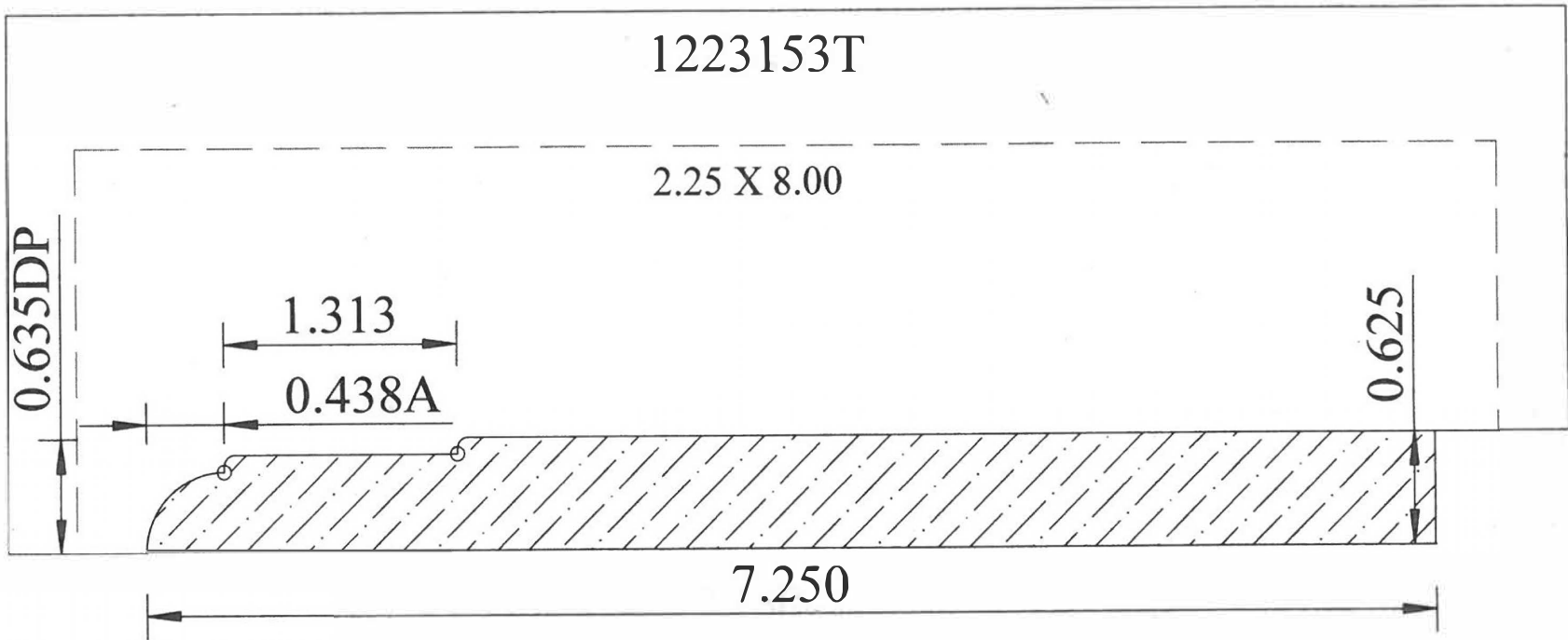
CLIENT NAME: FILLINGER

SIGN FOR APPROVALS: X _____
DRAWN BY: MARIA ALEMANI

DATE: _____

WE

K-86



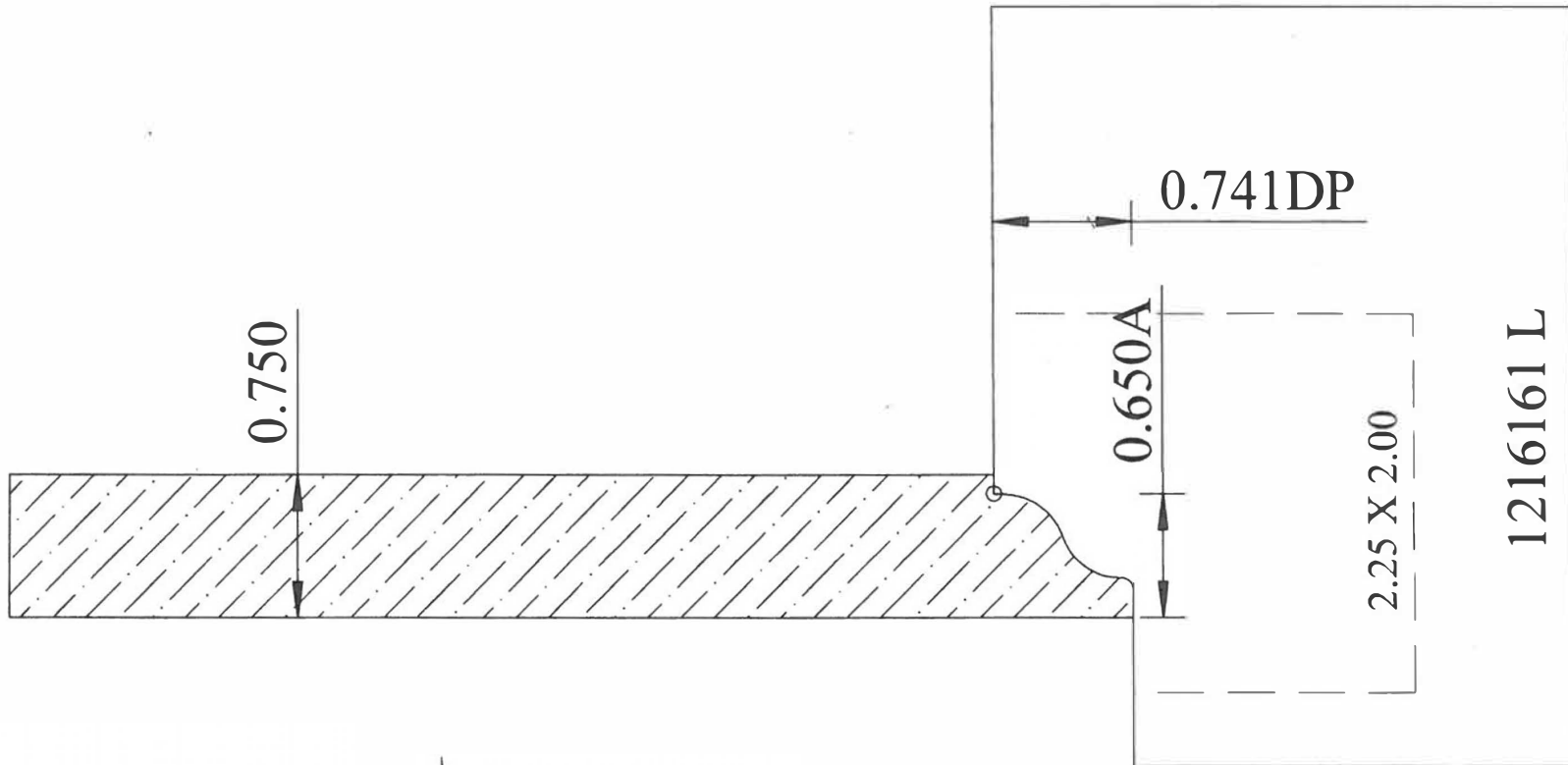
fence

bed

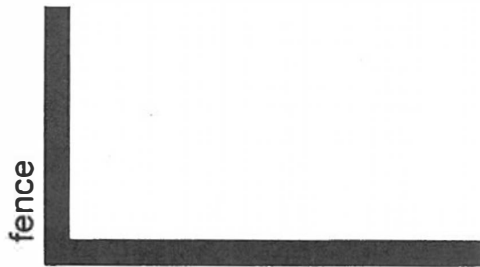
View From Outfeed

The diagram includes a thick black L-shaped symbol representing a 'fence' and 'bed'. The text 'View From Outfeed' is underlined.

L-63



+ 6 @ 8' casing



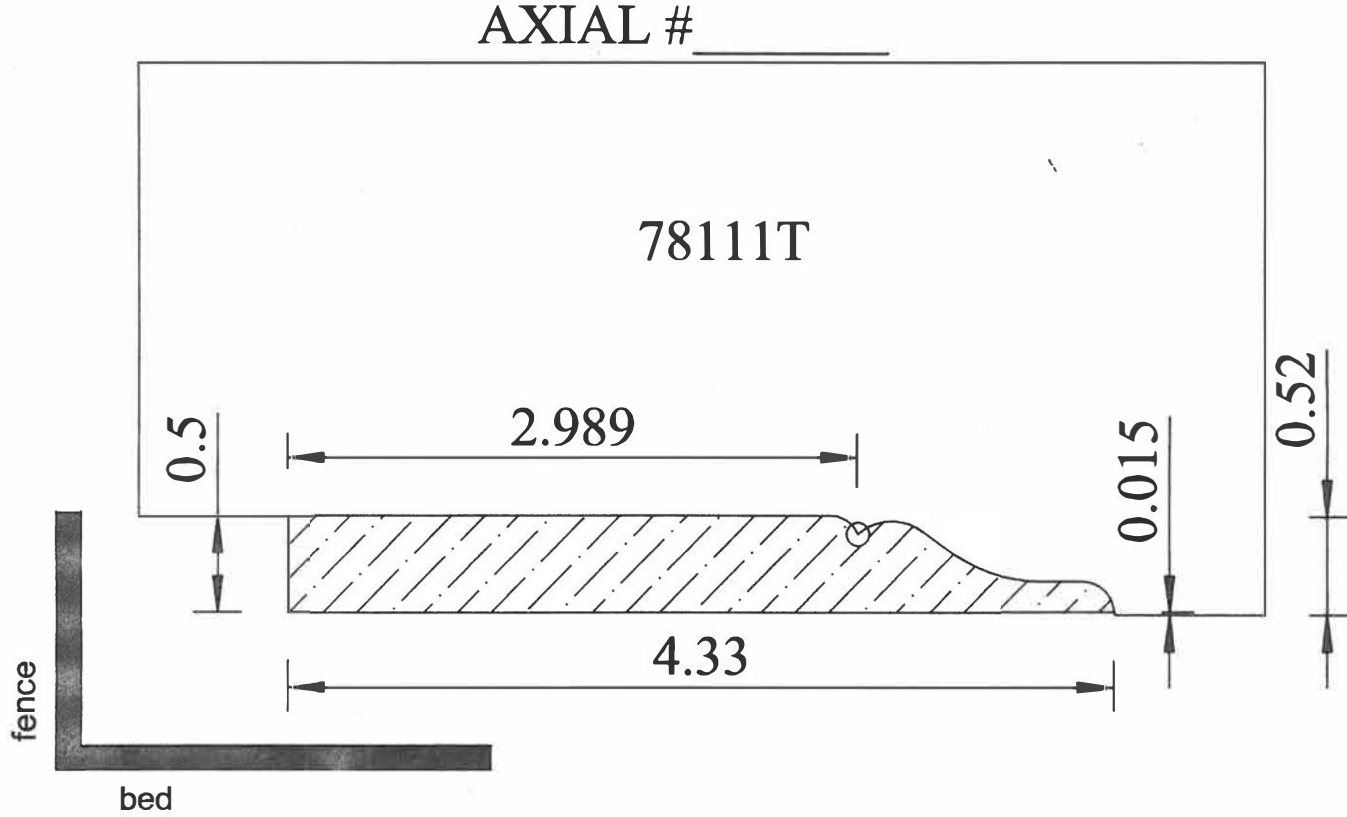
View From Outfeed

CLIENT NAME: FILLINGER

SIGN FOR APPROVALS: X _____

	Finished	Rough
M3+HSS	Double-Back	Supre
TCT Inlaid	Insert	SRS

O-28



Sign for approval or make changes: X
 DRAWN BY: Jason Lloyd

Thank you