

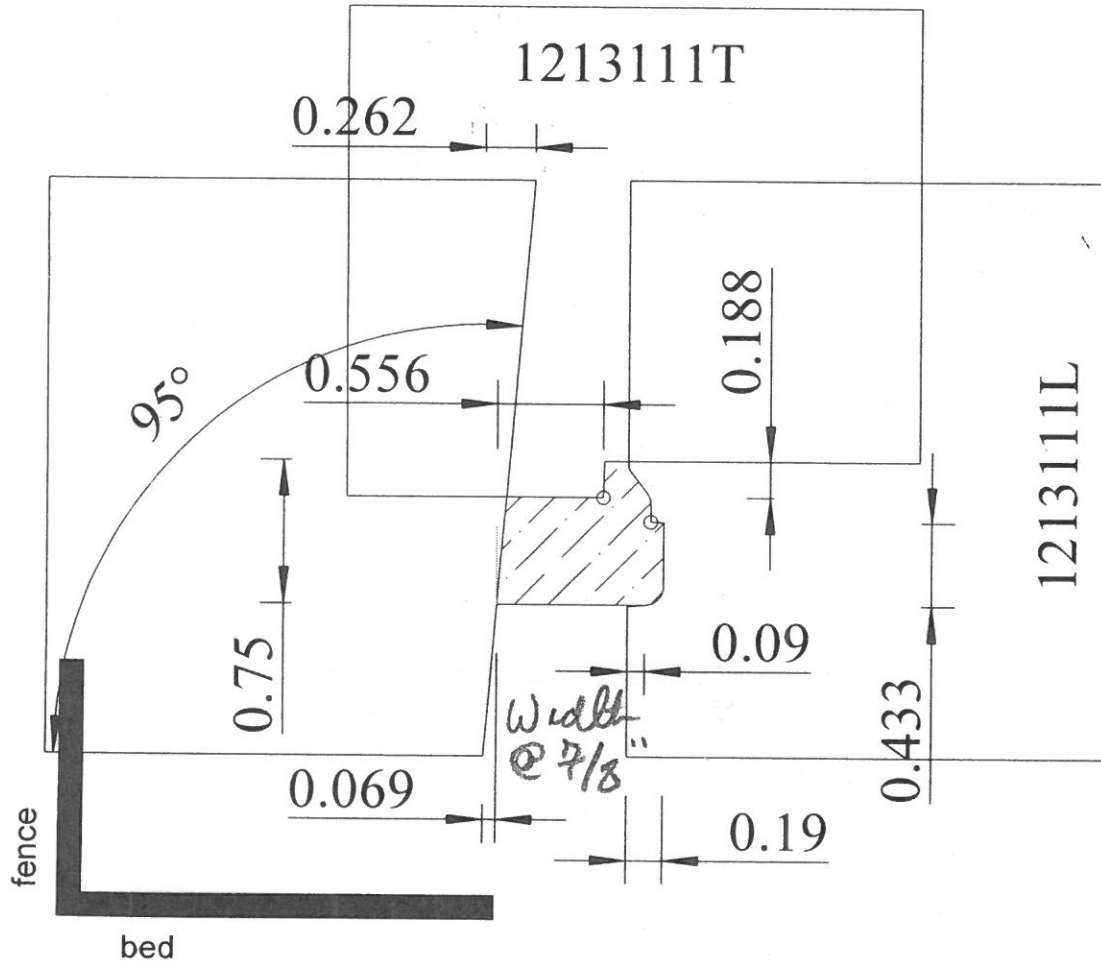


Services Requested & Material Selection
(circle all that apply)

	Finished	Rough
M3+HSS	Double-Back	Supre
TCT Inlaid	Insert	SRS

AXIAL # 6393

A-64



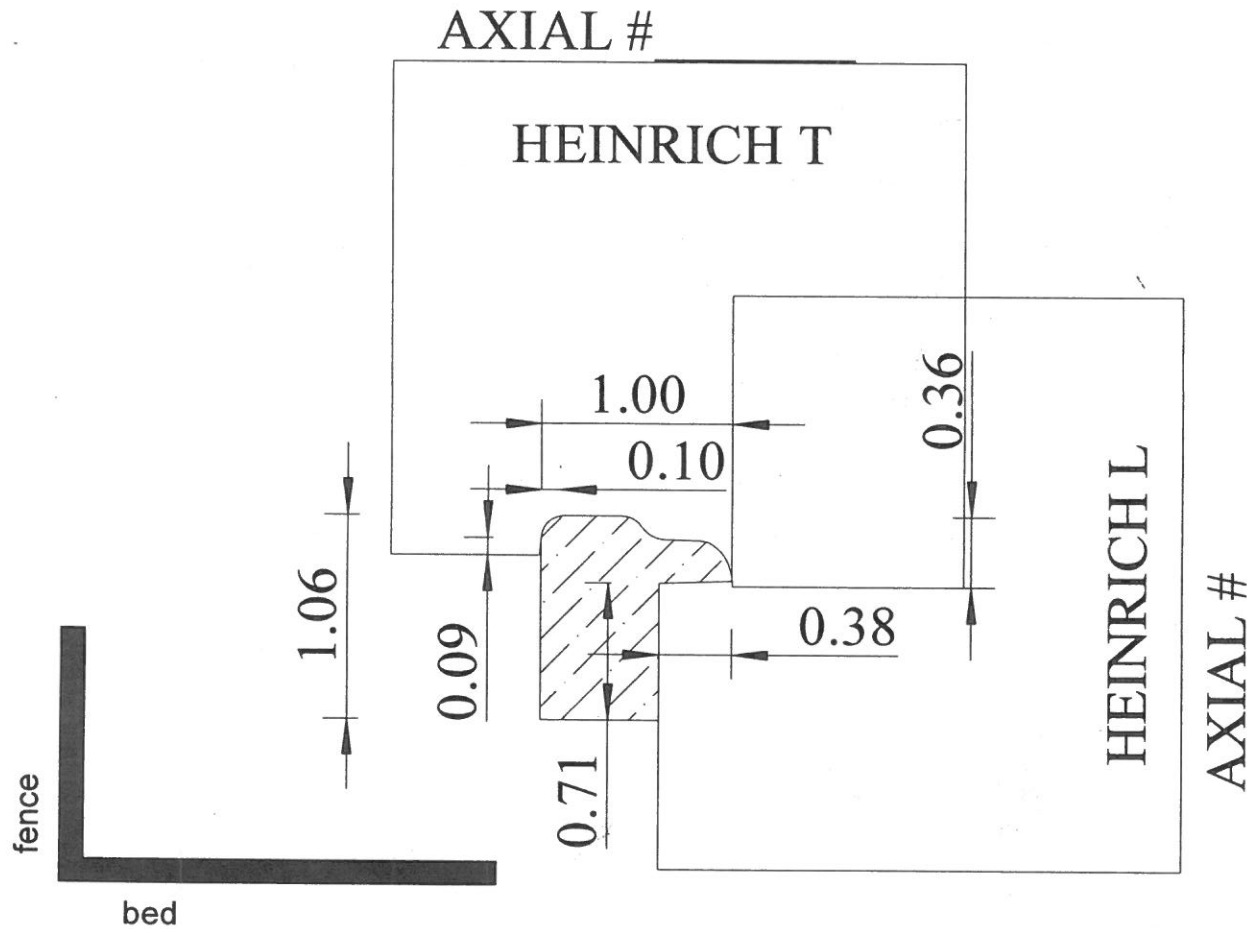
* Custom for
C.A. DANIELS



Services Requested & Material Selection
(circle all that apply)

	Finished	Rough
M3+HSS	Double-Back	Supre
TCT Inlaid	Insert	SRS

A-79



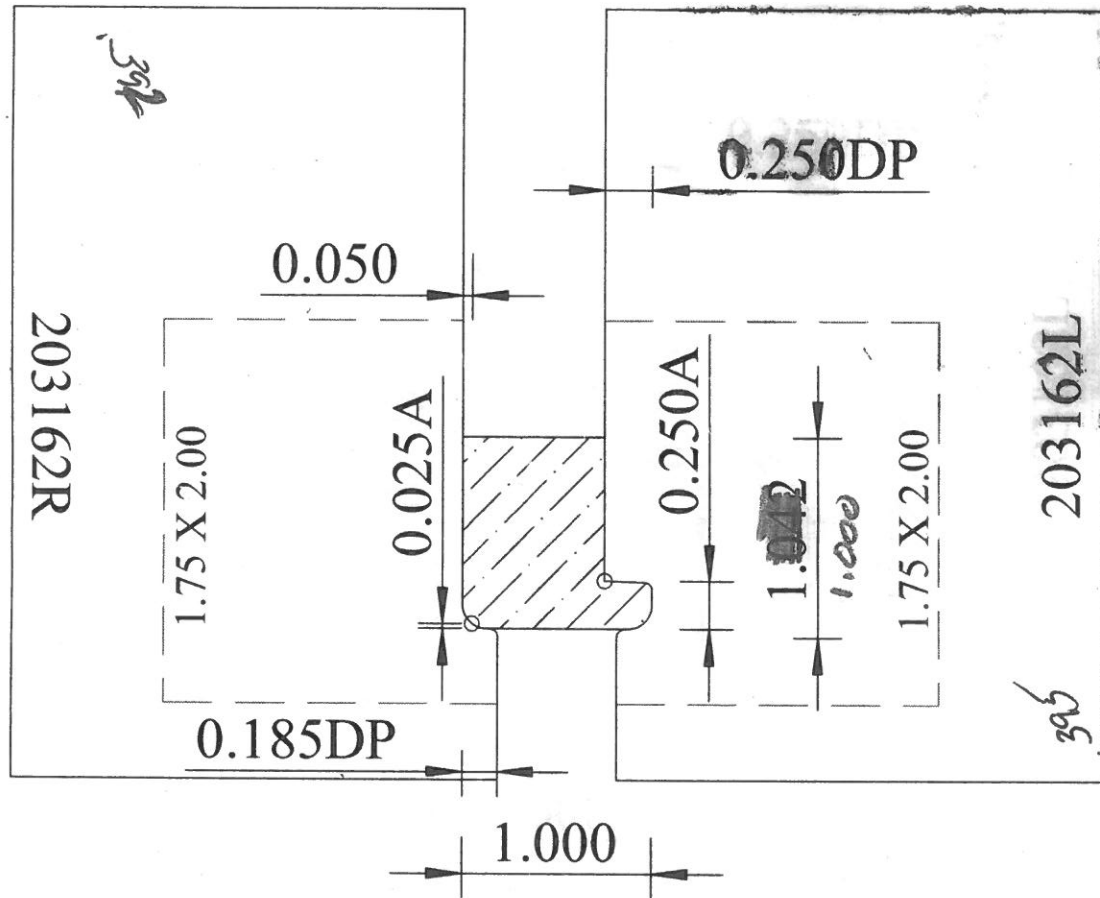
Michael Weing, Inc
124 Crosslake Park
Drive
 Mooresville, NC 28117

Sign for approval or make changes: X
DRAWN BY: "CHADROE" SLOAN Thank you



WEINIG

A-94



fence

bed

View From Outfeed

* Custom for Jim construction

CLIENT NAME: FILLINGER (Pine Lake Residence)

SIGN FOR APPROVALS: X _____

DATE: _____

DRAWN BY: MARIA ALEMAN

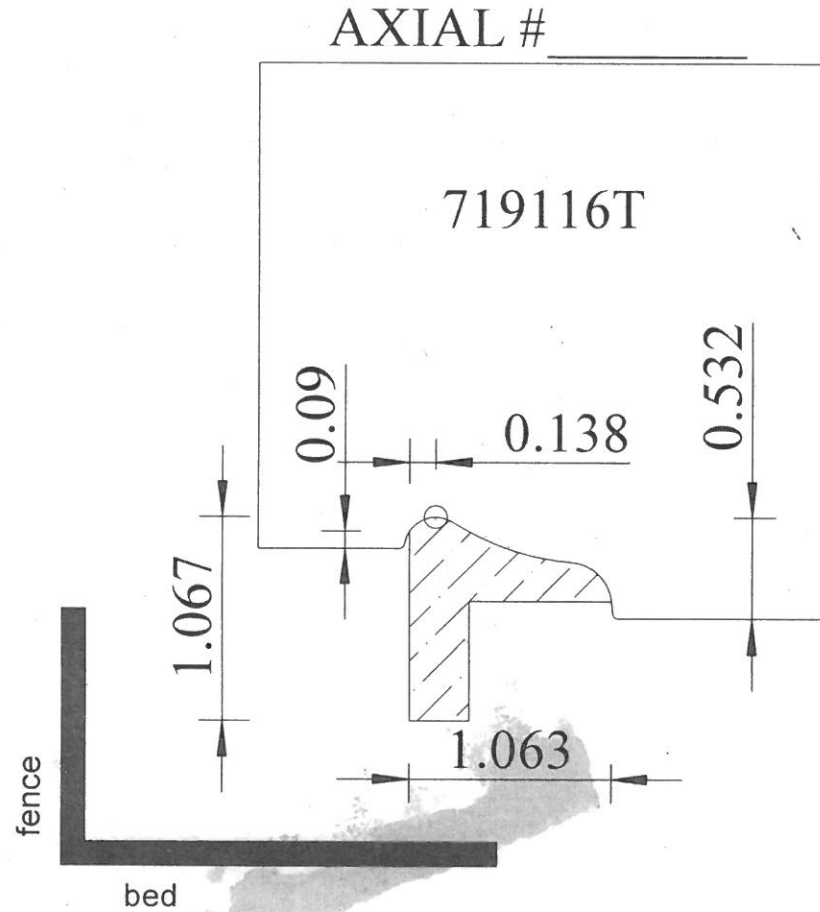
THIS DRAWING IS PROPERTY OF WEINIG INC.



Services Requested & Material Selection
(circle all that apply)

	Finished	Rough
M3+HSS	Double-Back	Supre
TCT Inlaid	Insert	SRS

BB-20
Grid
B65



1 3/8
1 3/8

Michael Weing, Inc
124 Crosslake Park Drive
 Mooresville, NC 28117

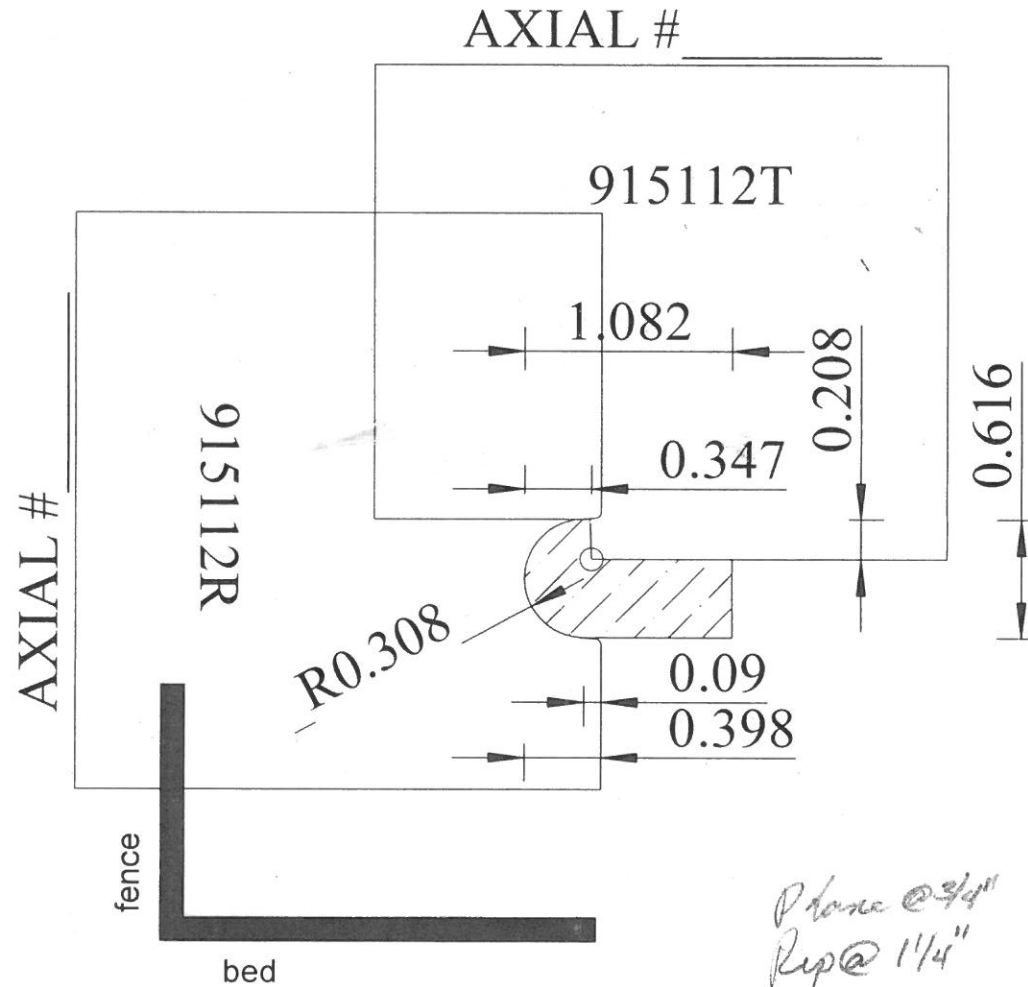
Sign for approval or make changes: X
DRAWN BY: Jason Lloyd Thank you



Services Requested & Material Selection
(circle all that apply)

	Finished	Rough
M3+HSS	Double-Back	Supre
TCT Inlaid	Insert	SRS

B-76



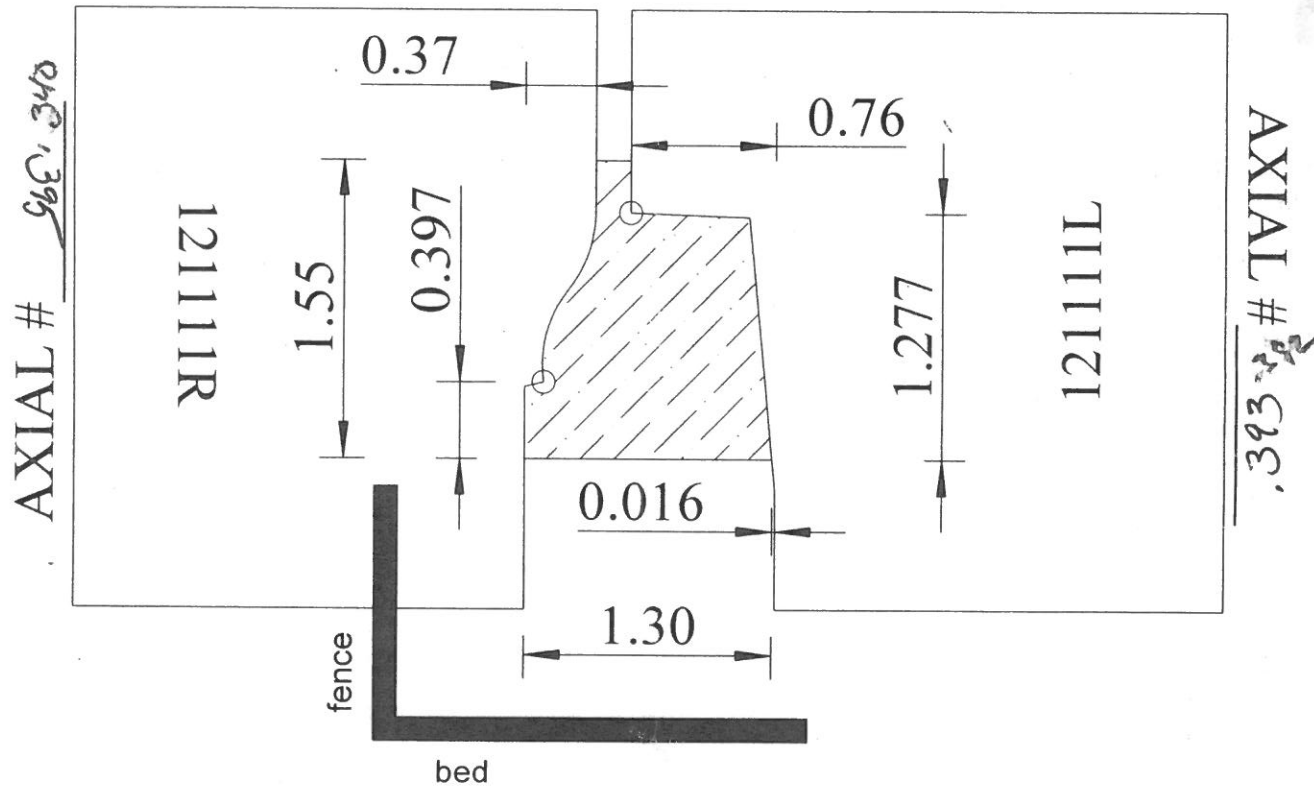
Phone @ 3/4"
Rep @ 1/4"



Services Requested & Material Selection
(circle all that apply)

	Finished	Rough
M3+HSS	Double-Back	Supre
TCT Inlaid	Insert	SRS

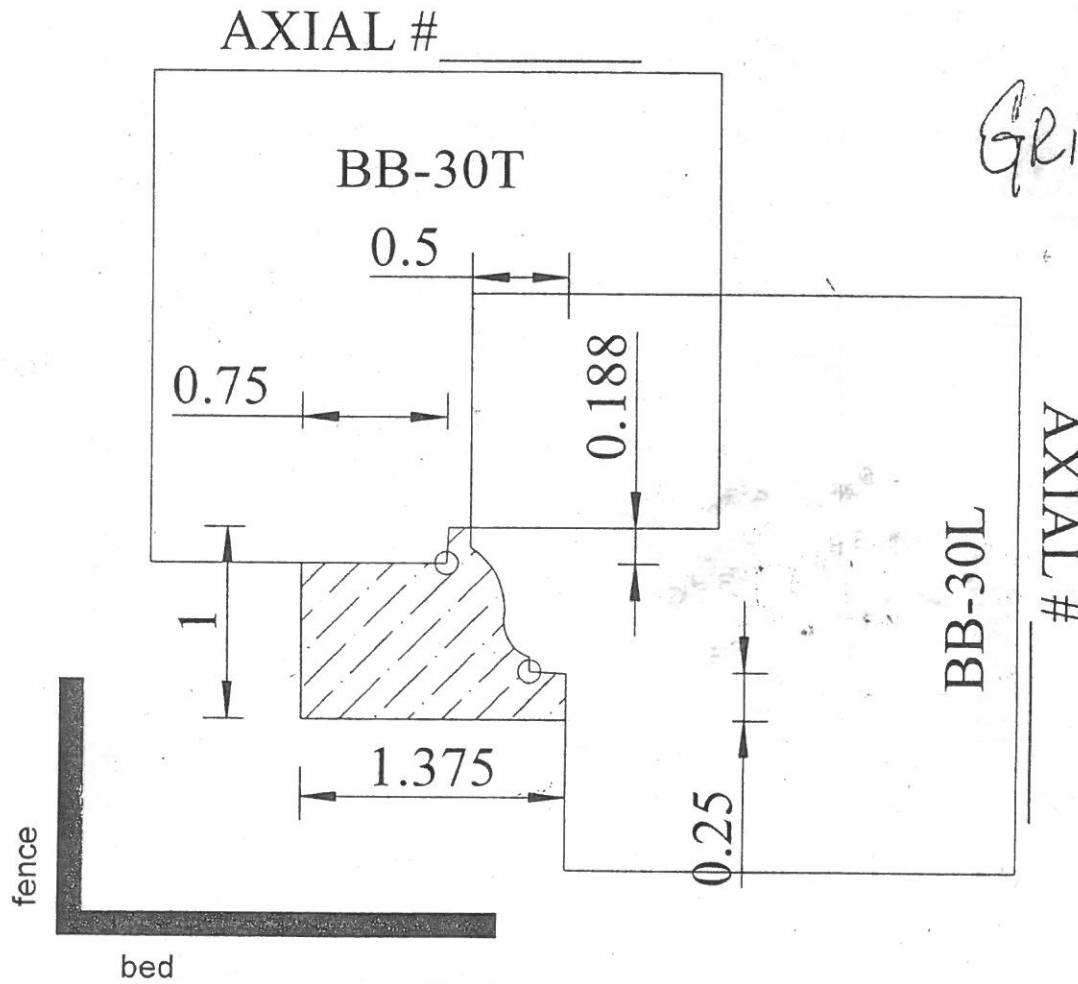
C-5





Services Requested & Material Selection
(circle all that apply)

	Finished	Rough
M3+HSS	Double-Back	Supre
TCT Inlaid	Insert	SRS



Michael Weing, Inc
124 Crosslake Park Drive
Mooresville, NC 28117

Sign for approval or make changes: X
DRAWN BY: Jason Lloyd

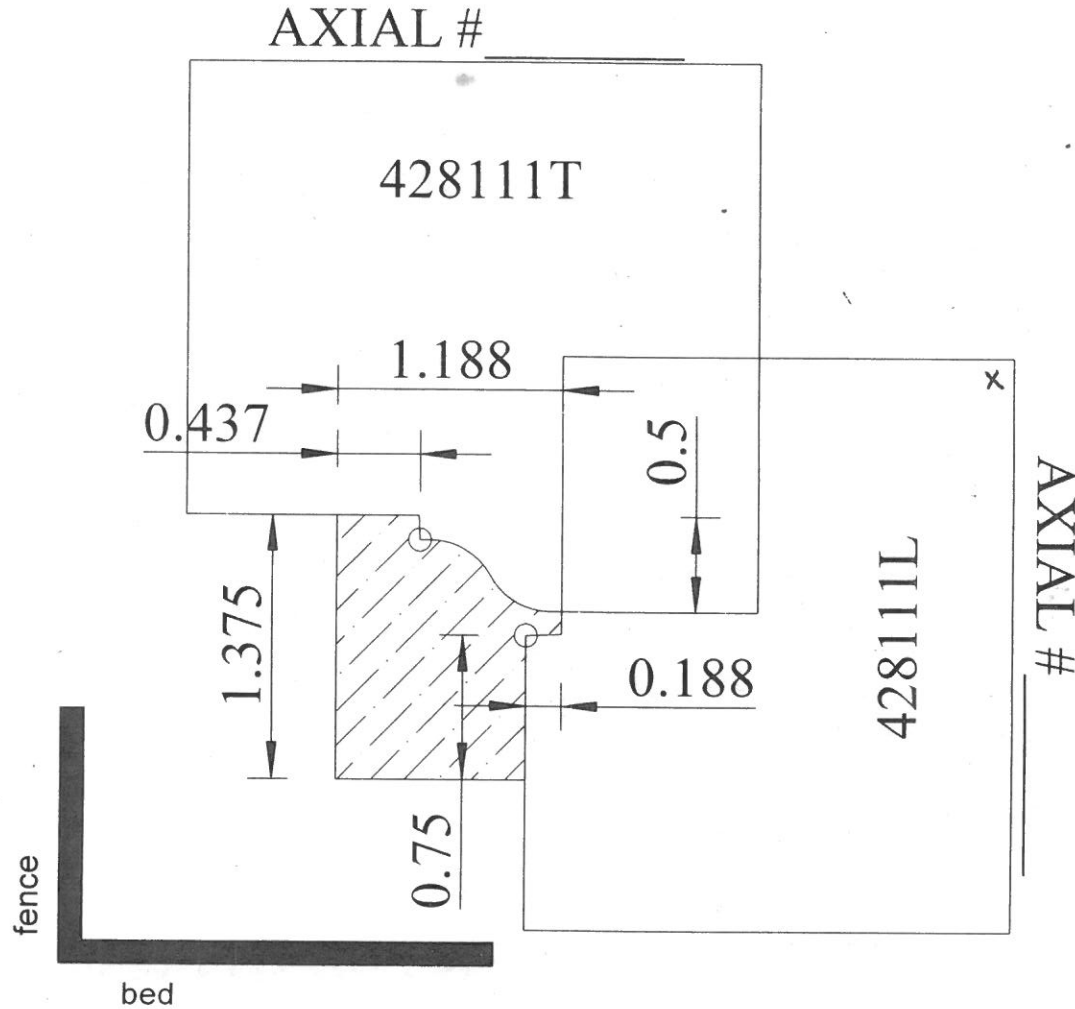
Thank you



C-73

Services Requested & Material Selection
(circle all that apply)

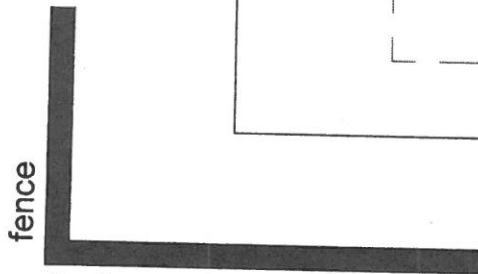
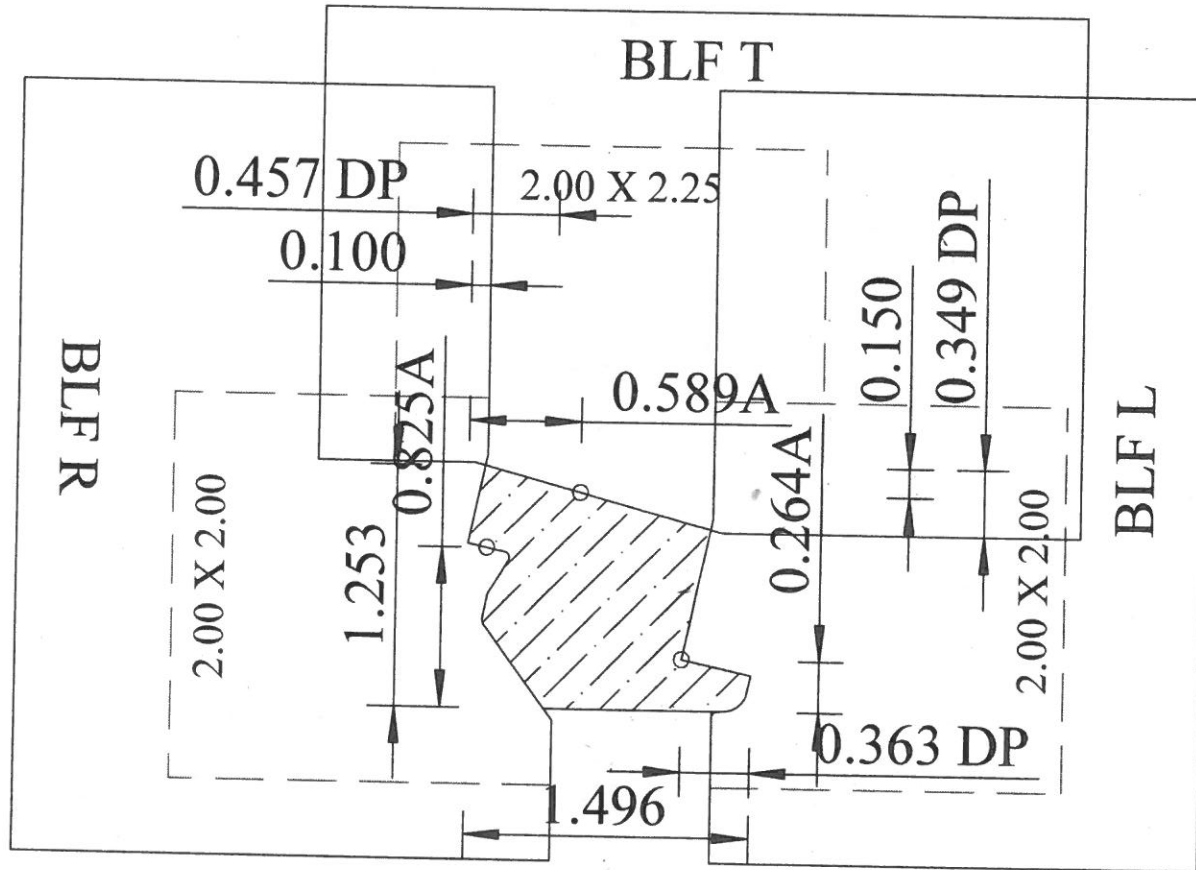
	Finished	Rough
M3+HSS	Double-Back	Supre
TCT Inlaid	Insert	SRS





D-59

CUSTOM PRESSURE SHOE RECOMMENDED



View From Outfeed

* Custom for
Bliffert Lumber
Co.

Client Name: FILLINGER

Sign for approvals: X
DRAWN BY: "Igor Arsenovich" Date: _____

THIS DRAWING IS PROPERTY OF WEINIG INC.



Services Requested & Material Selection
(circle all that apply)

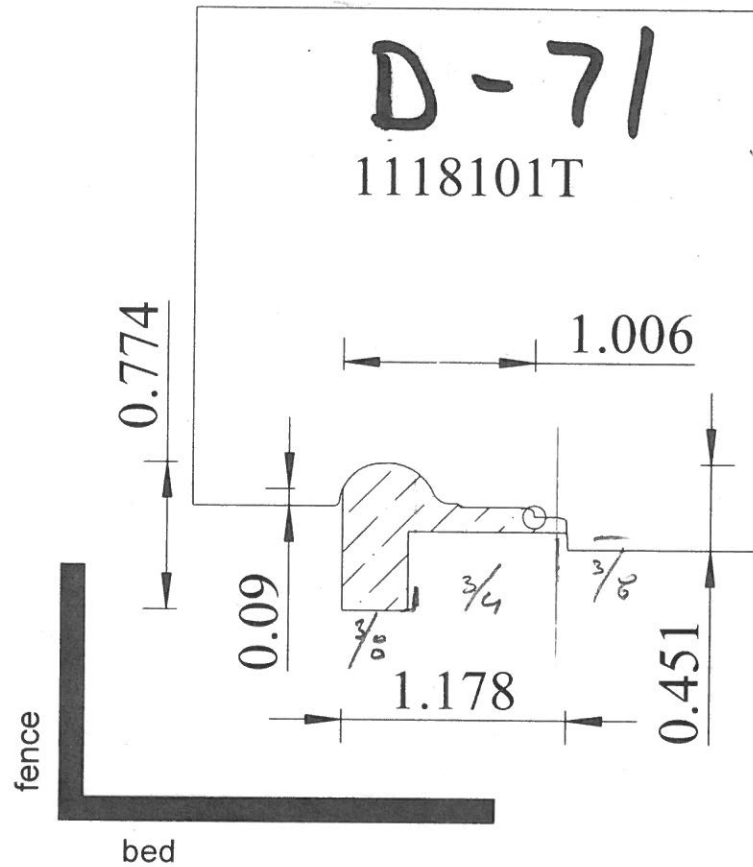
	Finished	Rough
M3+HSS	Double-Back	Supre
TCT Inlaid	Insert	SRS

AXIAL # _____

D-71

D-71
1118101T

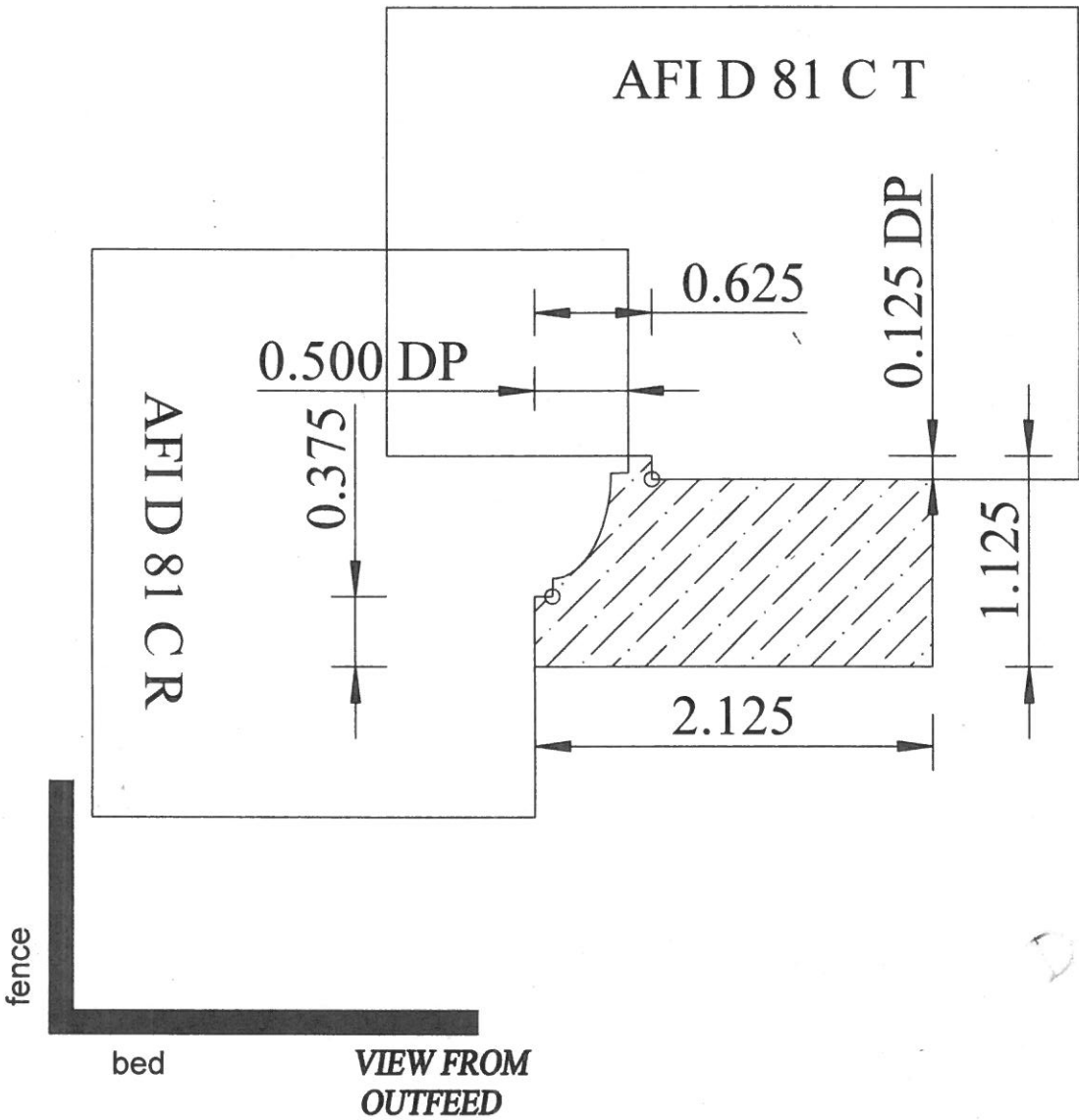
Romanski





	KNIFE MATERIAL	
M2 5/16"	M3+ HSS	SUPRE-18

D-81



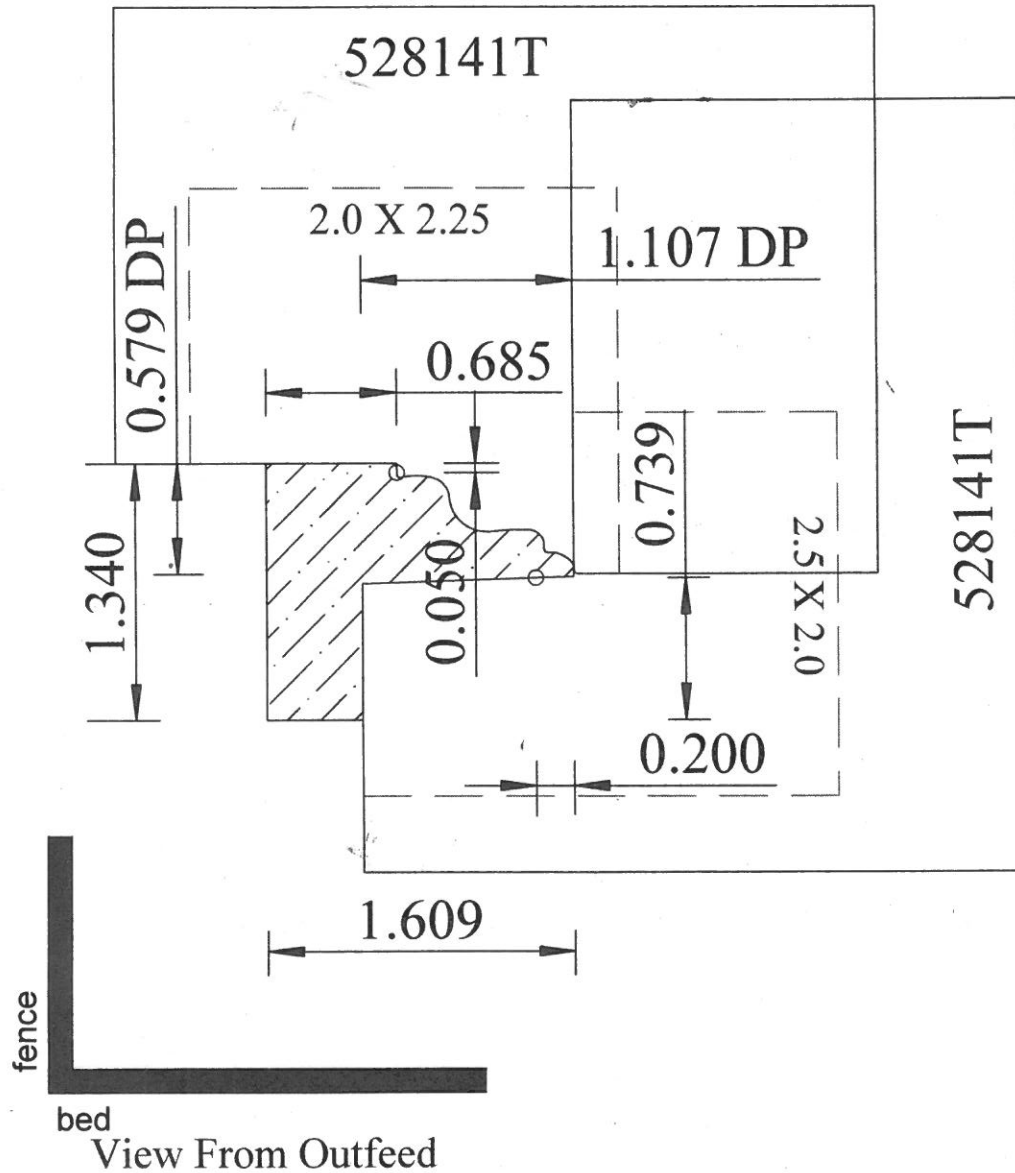
* Custom for
Paul Davis Re.
Sawyer Rd. Proj

THIS DRAWING IS PROPERTY OF WEINIG INC.

Sign for approvals: X Date: _____
DRAWN BY: "Michael Neville"



E-91



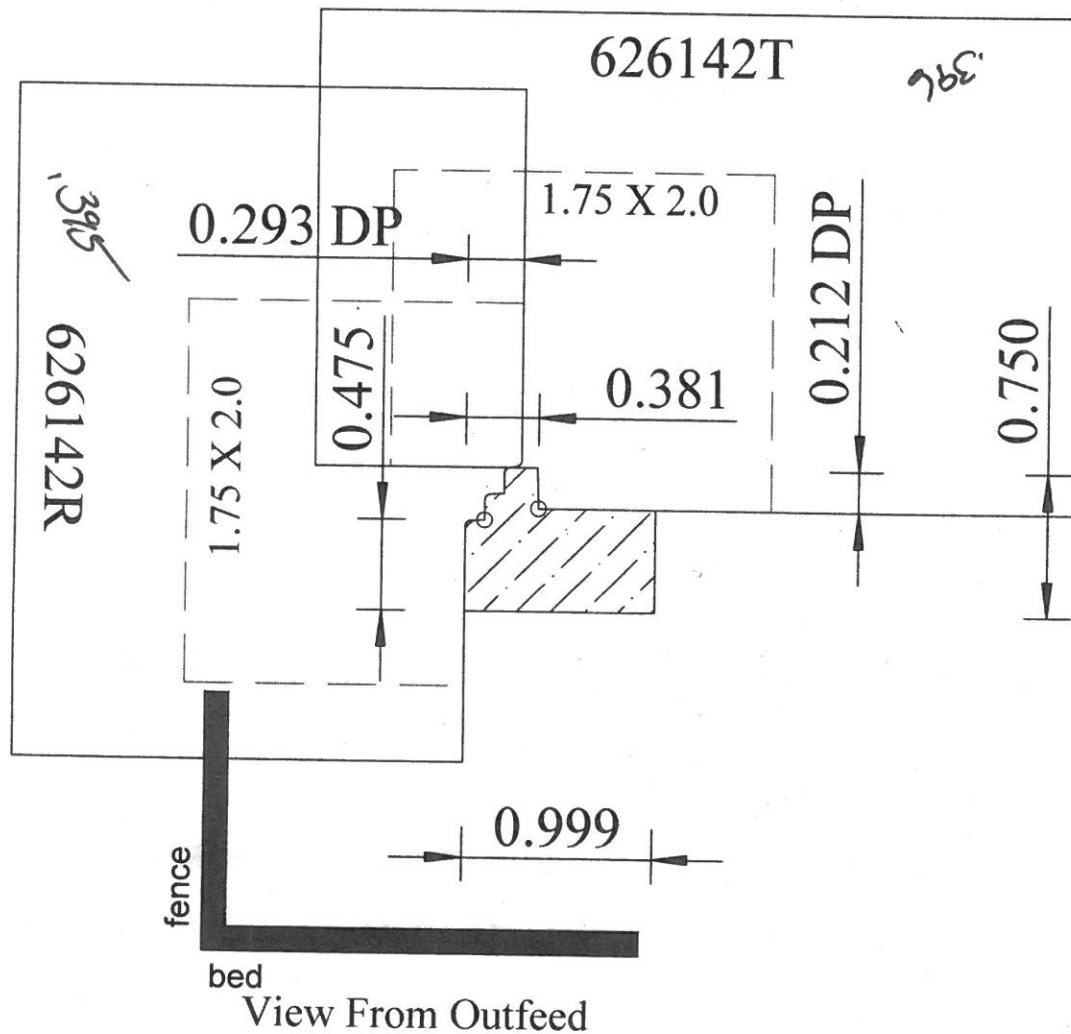
Client Name: FILLINGER INC

Sign for approvals: X Date: _____
DRAWN BY: "Michael Neville"

THIS DRAWING IS PROPERTY OF WEINIG INC.



E-96



*Custom for Divorhan

FILLINGER

Client Name: _____

Sign for approvals:

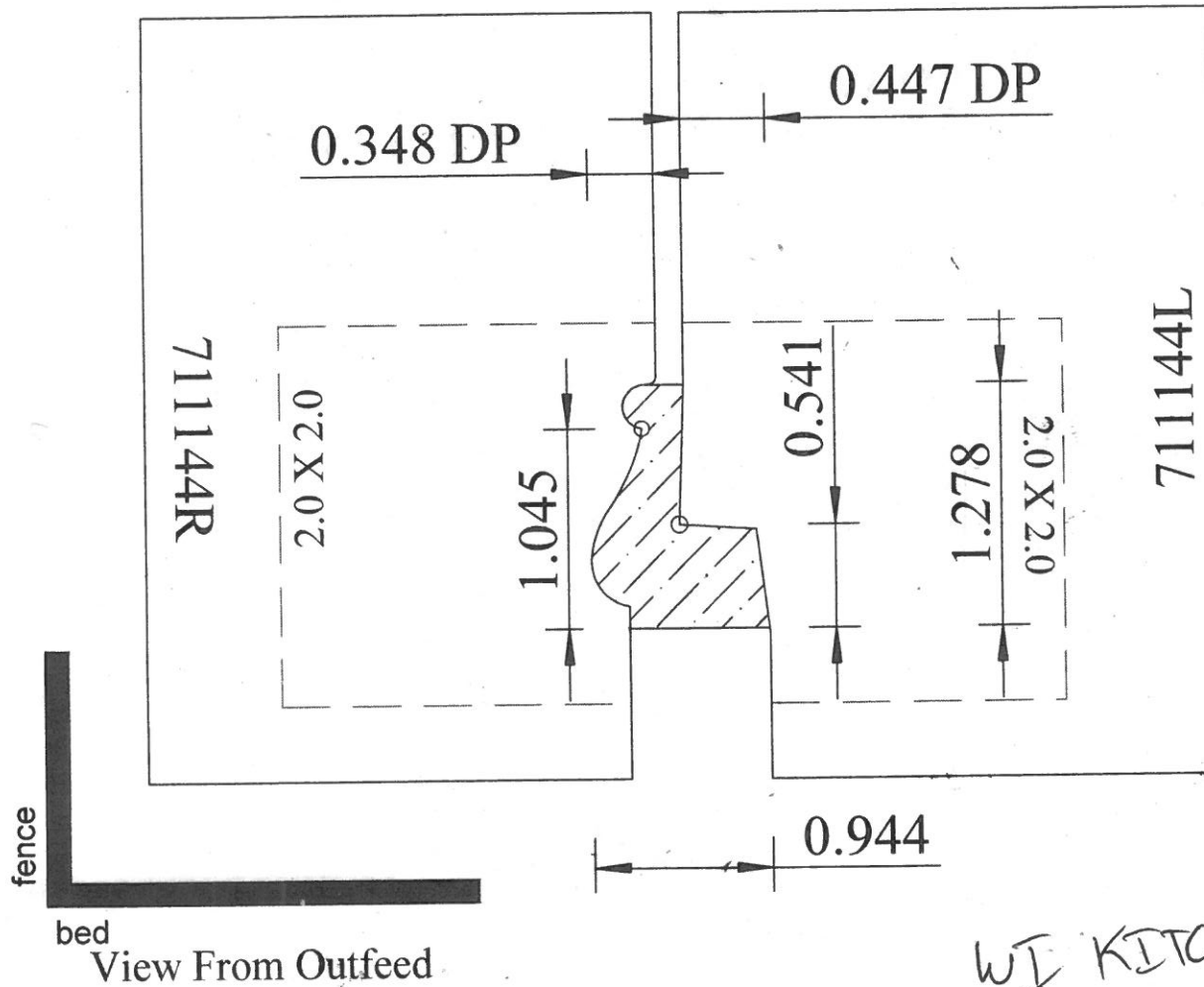
DRAWN BY: "Michael Neville"

Date: _____

THIS DRAWING IS PROPERTY OF WEINIG INC.



F-80

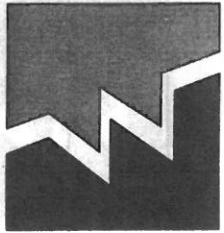


WI KITCHEN MART

Client Name: FILLINGER

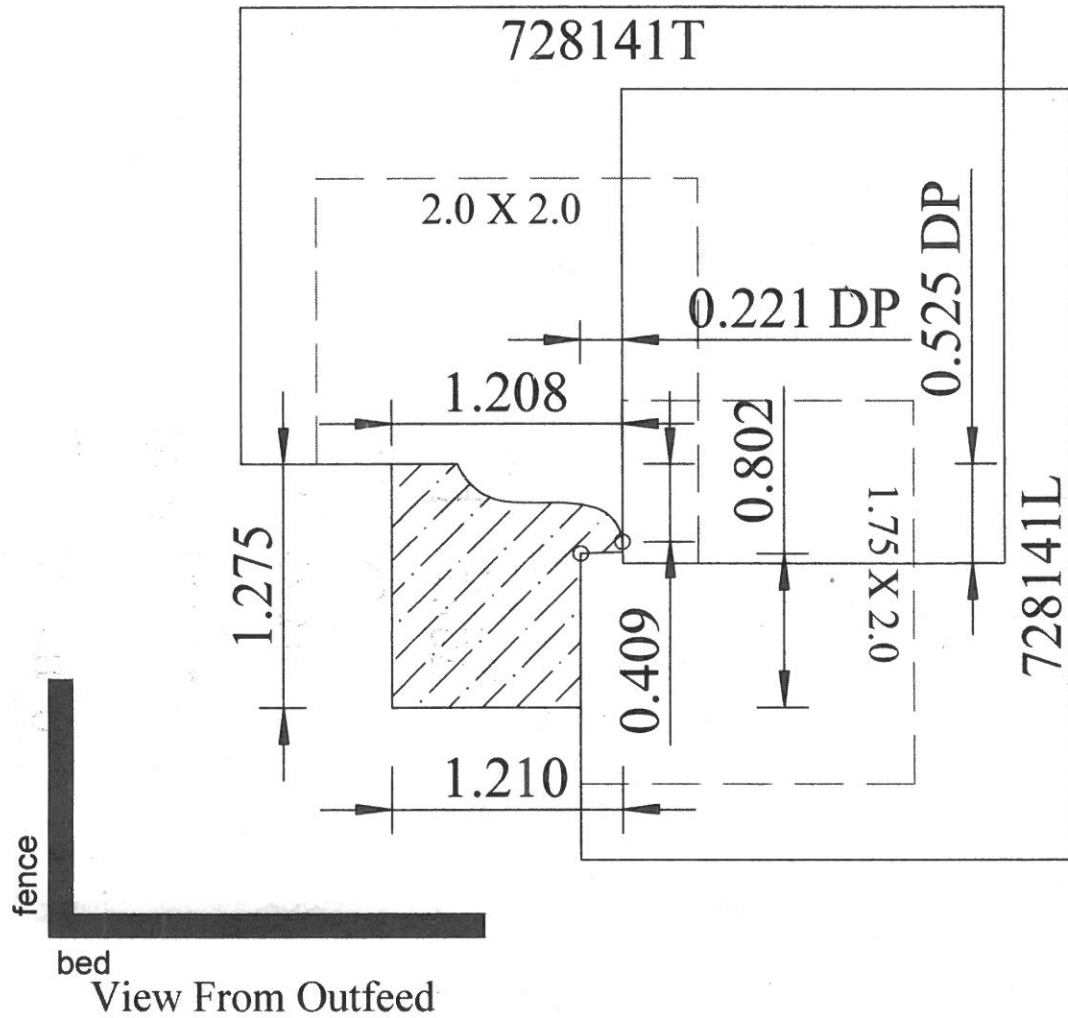
Sign for approvals: X Date: _____
DRAWN BY: "Michael Neville"

THIS DRAWING IS PROPERTY OF WEINIG INC.



WEINIG

F-89



Client Name: FILLINGER INC

Sign for approvals: X
DRAWN BY: "Michael Neville"

Date: _____

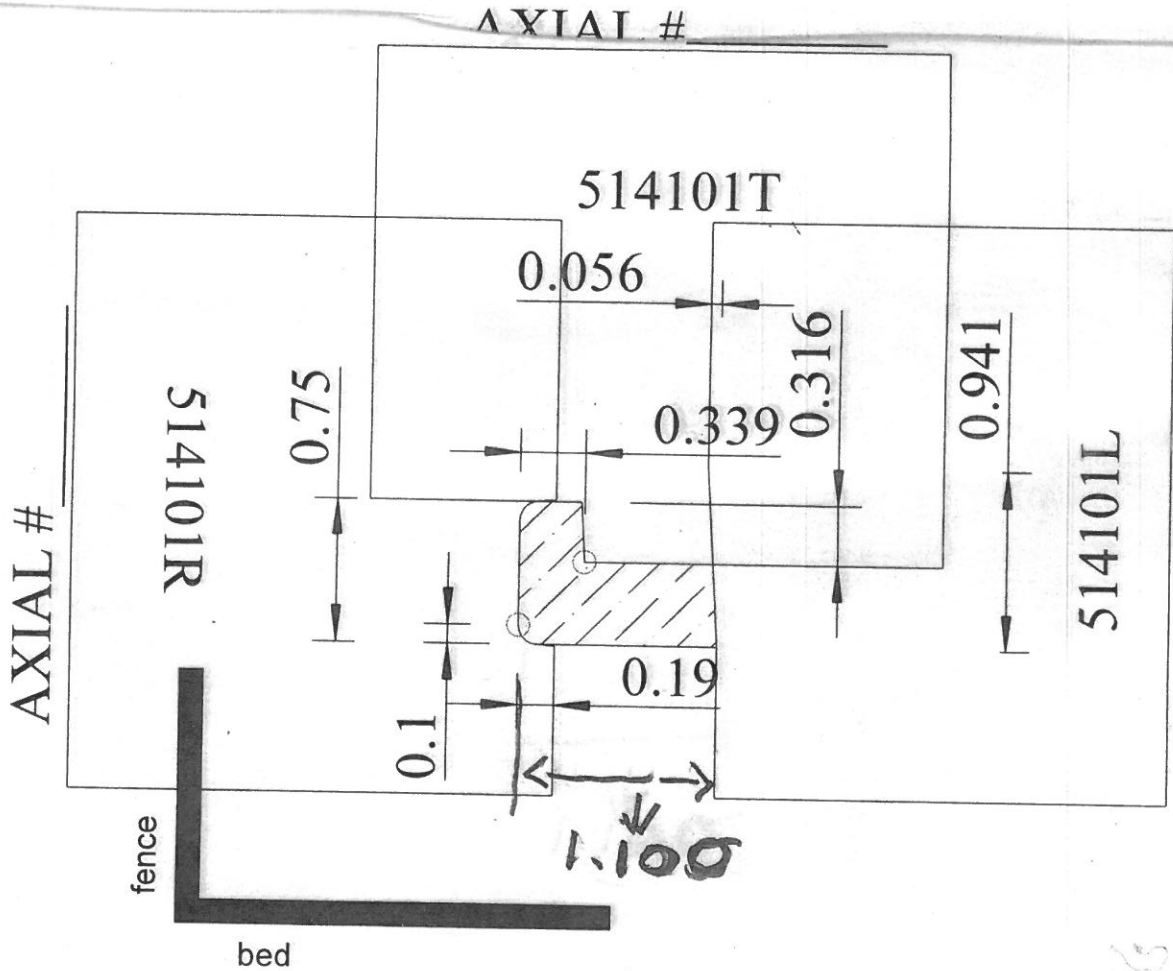
THIS DRAWING IS PROPERTY OF WEINIG INC.



G-1

Services Requested & Material Selection
(circle all that apply)

	Finished	Rough
M3+HSS	Double-Back	Supre
TCT Inlaid	Insert	SRS



Michael Weing, Inc
124 Crosslake Park Drive
Mooreville, NC 28117

Sign for approval or make changes: X
DRAWN BY: Jason Lloyd

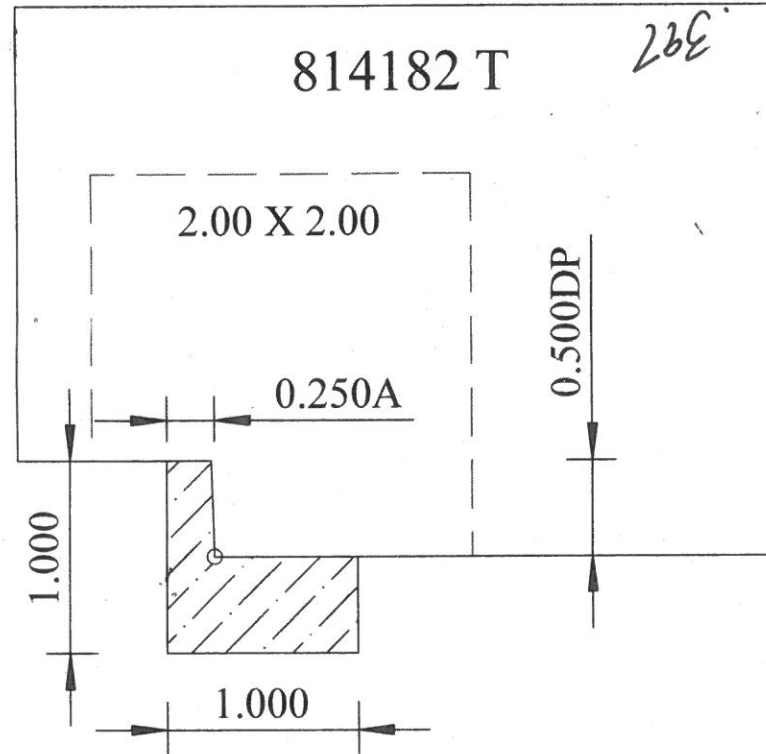
Thank you

TOP
498

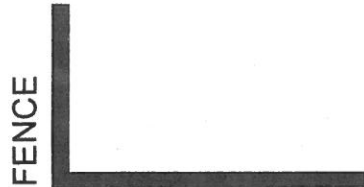


WEINIG

6-59



* Custom for
JFK Design/Build



FENCE

BED

VIEW FROM OUTFEED

THIS DRAWING IS PROPERTY OF WEINIG INC.

CLIENT NAME: FILLINGER

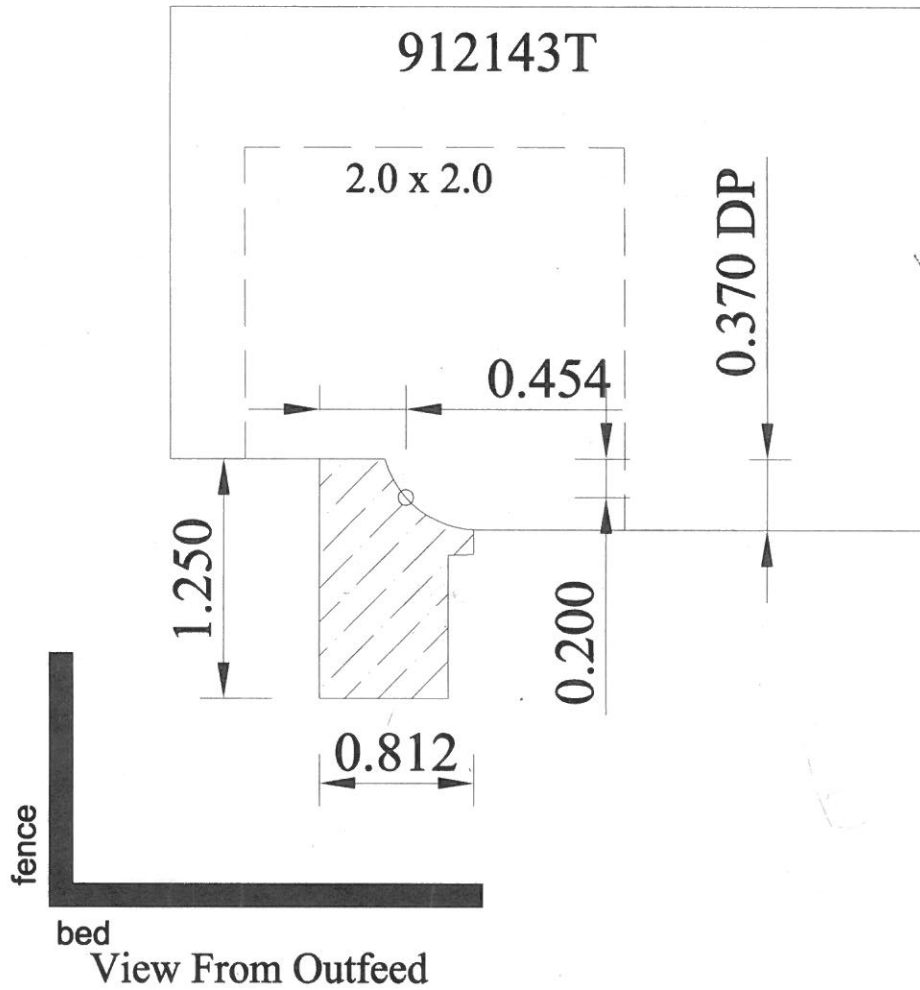
SIGN FOR APPROVALS: X _____

DATE: _____

DRAWN BY: MARIA ALEMAN



G-80



* Do not have exact side knee

* Custom for Becker

Client Name: FILLINGER INC

Sign for approvals: X

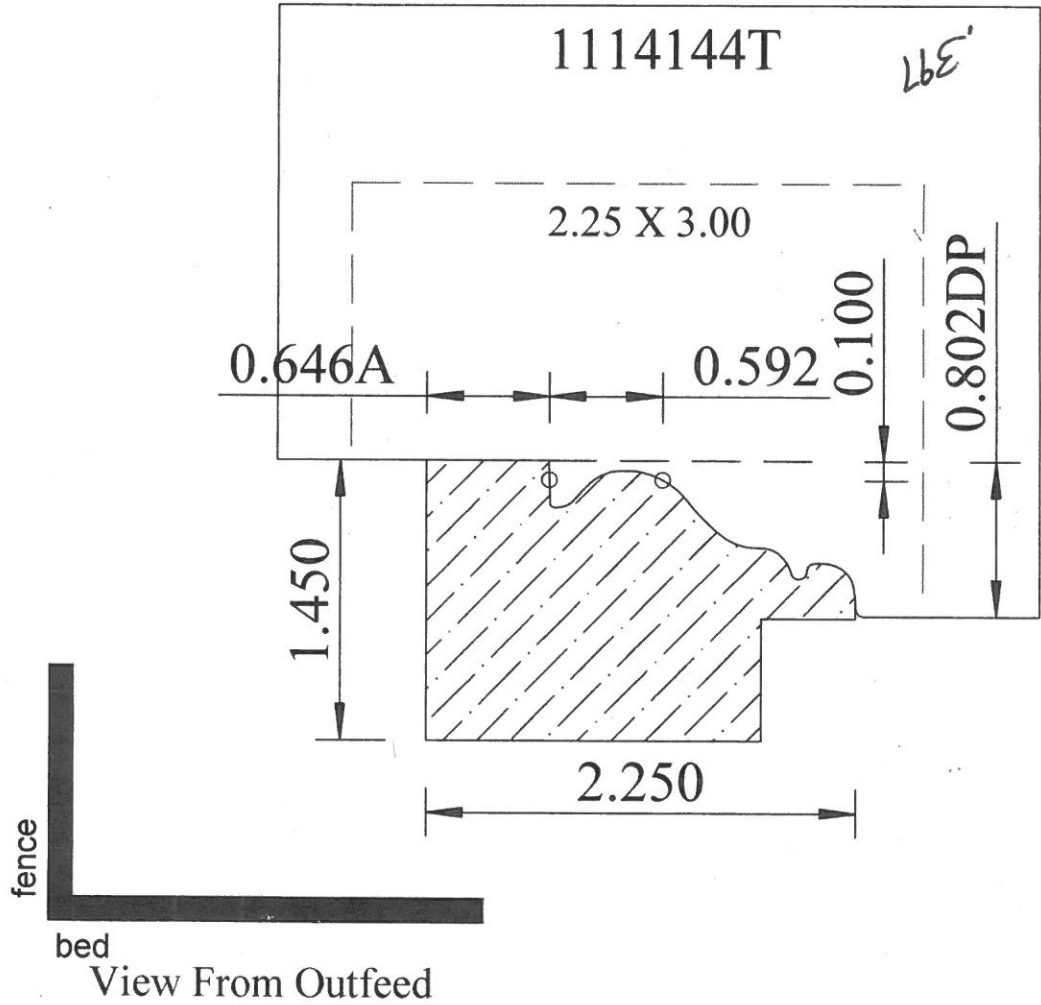
DRAWN BY: "Michael Neville"

Date: _____

THIS DRAWING IS PROPERTY OF WEINIG INC.



G-82

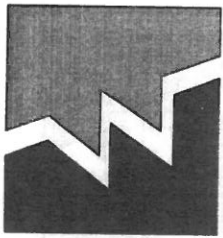


* Custom for
DAHLMAN Const.
(University Club)

CLIENT NAME: FILLINGER

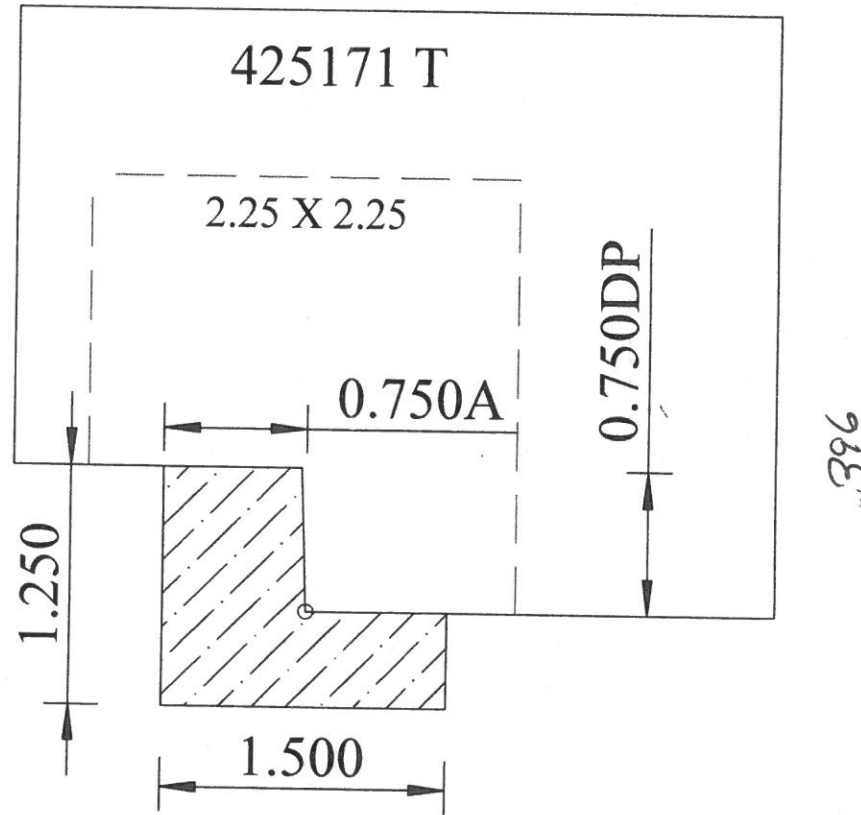
SIGN FOR APPROVALS: X _____ DATE: _____
DRAWN BY: MARIA ALEMAN

THIS DRAWING IS PROPERTY OF WEINIG INC.



WEINIG

H-2



FENCE

BED

VIEW FROM OUTFEED

* Custom for
Vetter Bank

THIS DRAWING IS PROPERTY OF WEINIG INC.

CLIENT NAME: FILLINGER

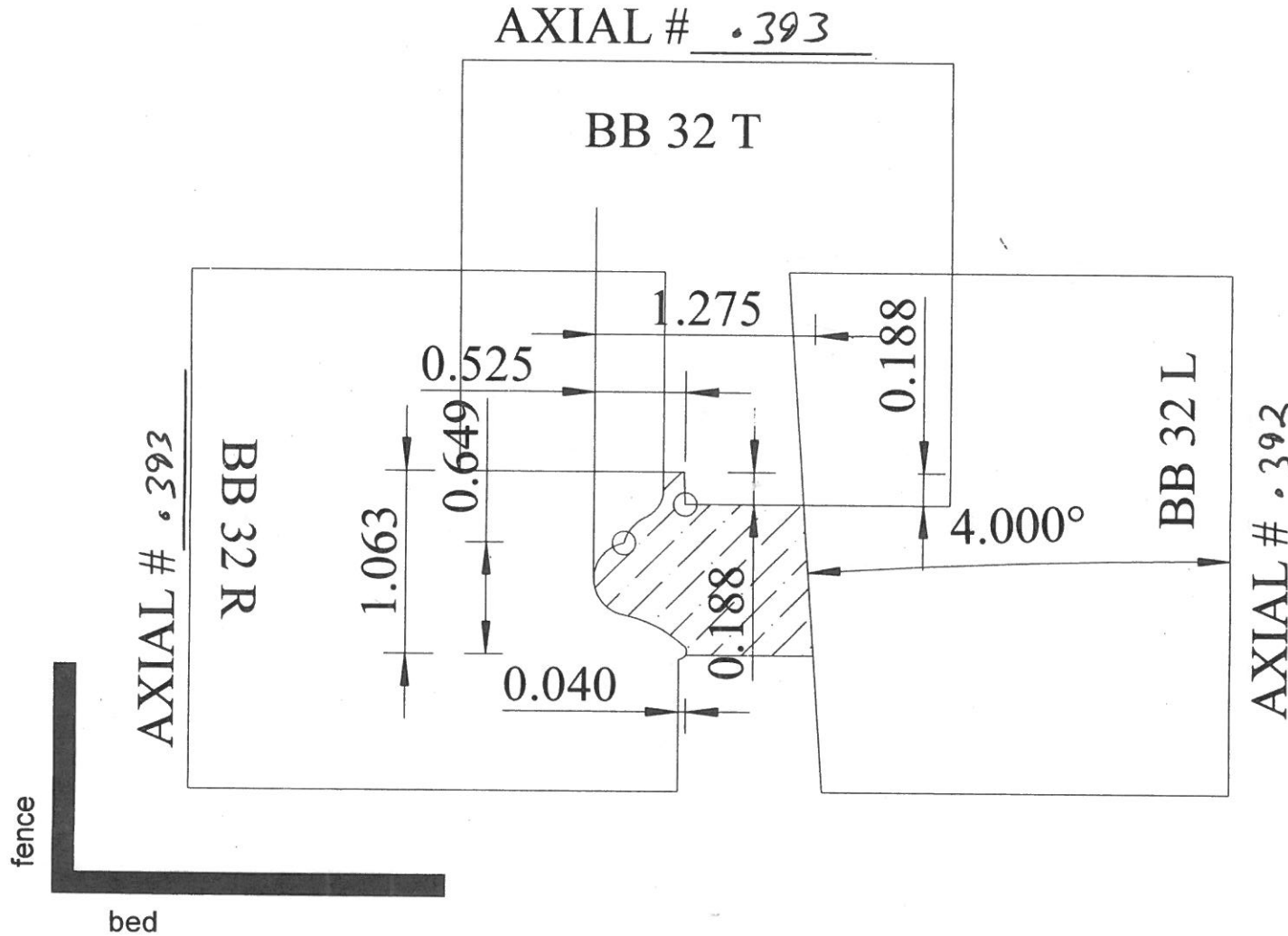
SIGN FOR APPROVALS: X _____ DATE: _____
DRAWN BY: MARIA ALEMAN



Services Requested & Material Selection
(circle all that apply)

	Finished	Rough
M3+HSS	Double-Back	Supre
TCT Inlaid	Insert	SRS

H-4



Michael Weing, Inc
124 Crosslake Park Drive
Mooresville, NC 28117

Sign for approval or make changes:
DRAWN BY: "CHADROE" SLOAN

X

Thank you

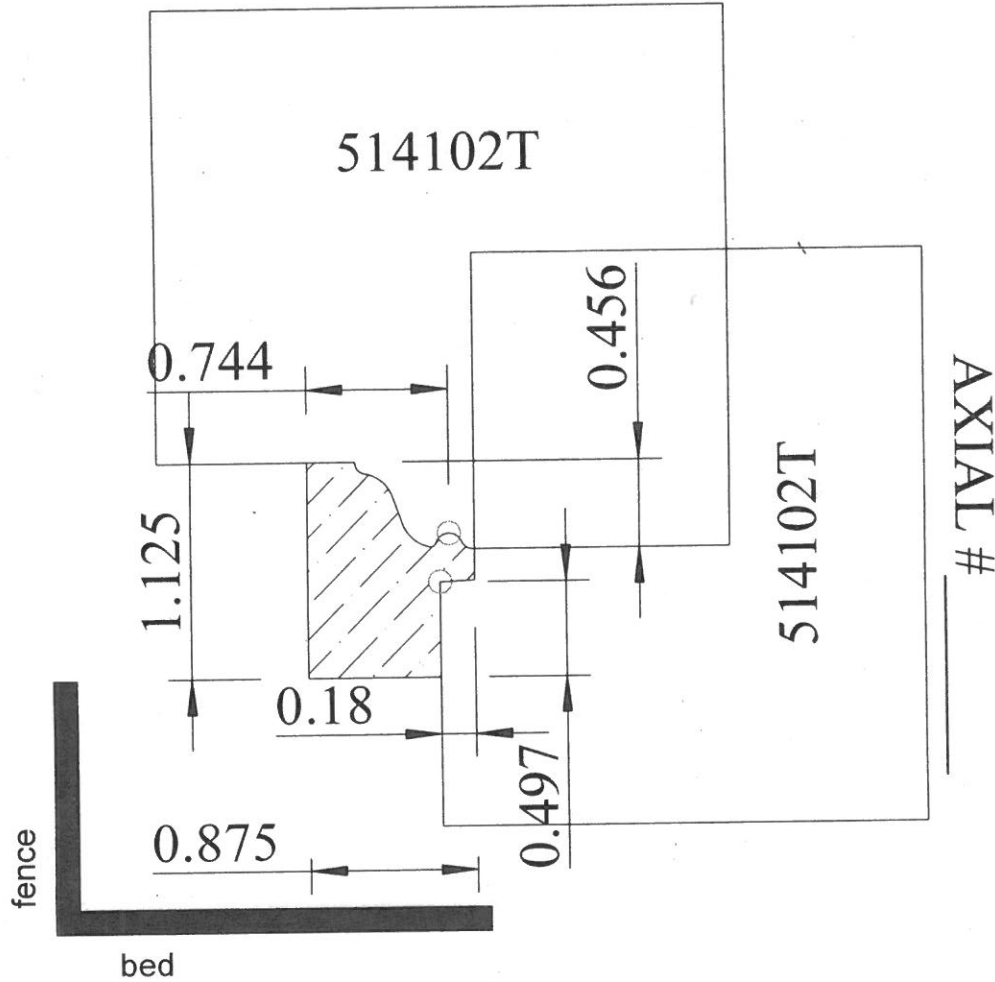


Services Requested & Material Selection
(circle all that apply)

	Finished	Rough
M3+HSS	Double-Back	Supre
TCT Inlaid	Insert	SRS

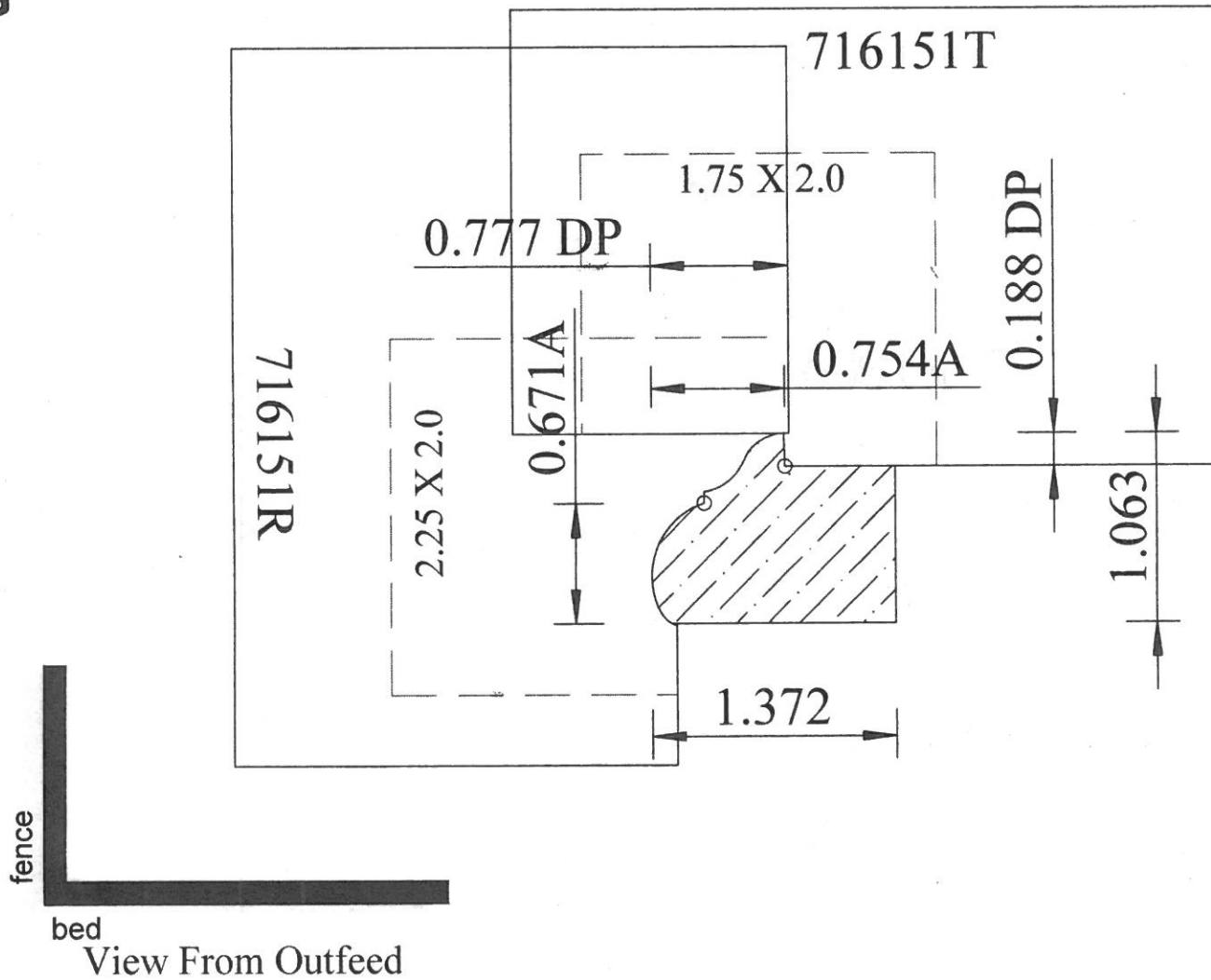
AXIAL # _____

H-76





I-89

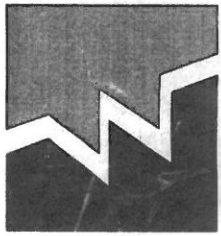


Client Name: FILLINGER INC

Sign for approvals: X
DRAWN BY: "Michael Neville"

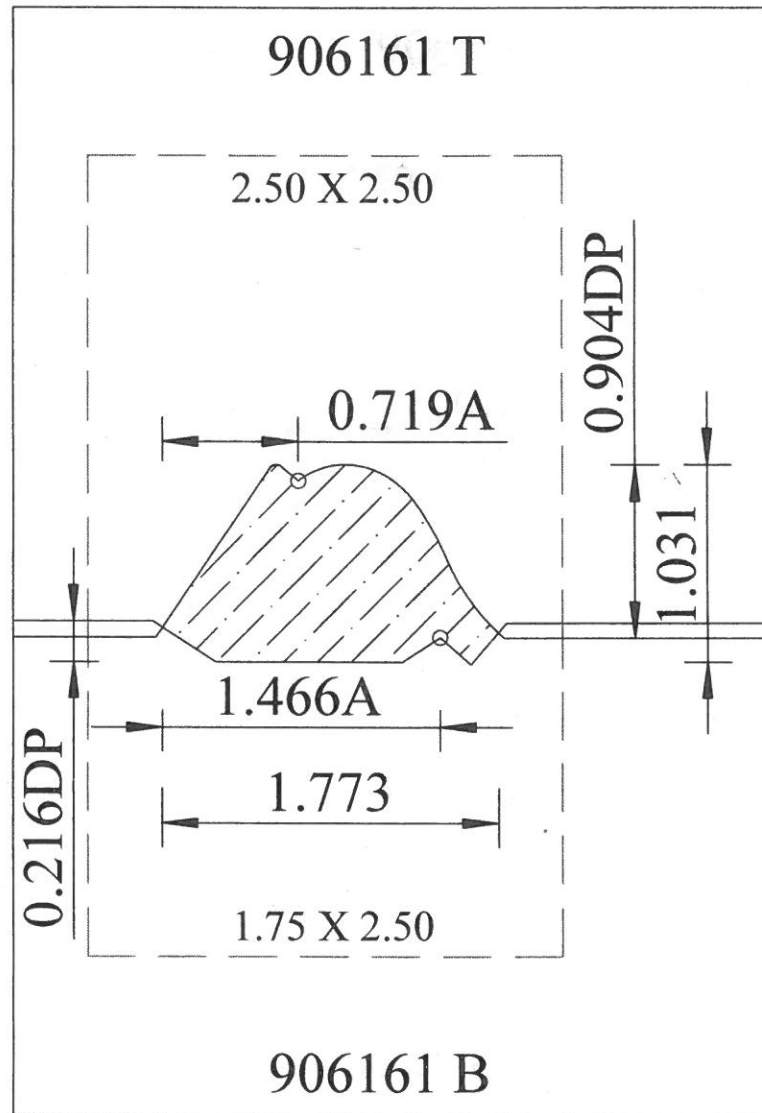
Date: _____

THIS DRAWING IS PROPERTY OF WEINIG INC.



WEINIG

J-75



fence

bed

View From Outfeed

THIS DRAWING IS PROPERTY OF WEINIG INC.

*Custom for
Nick Porter

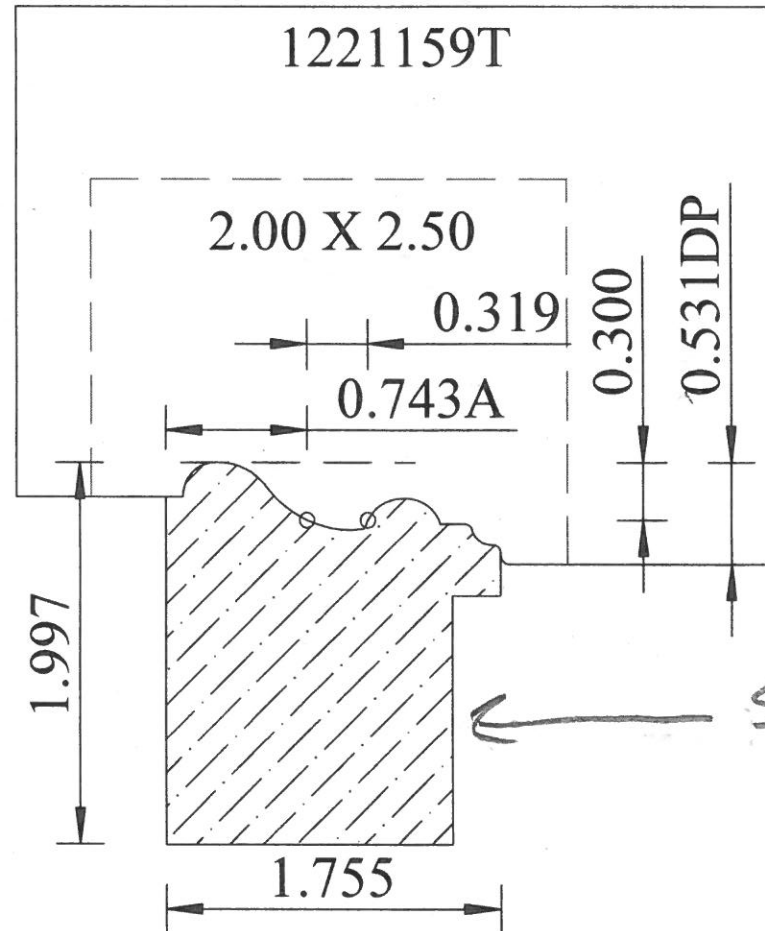
CLIENT NAME: FILLINGER

SIGN FOR APPROVALS: X
DRAWN BY: MARIA ALEMAN

DATE: _____



J-93
Profile (K)



Shaper Cut!



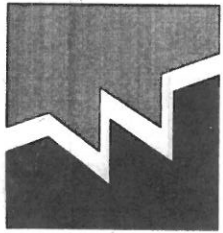
* Custom for
Jim Construction
(Bultman Residence)

View From Outfeed

CLIENT NAME: FILLINGER

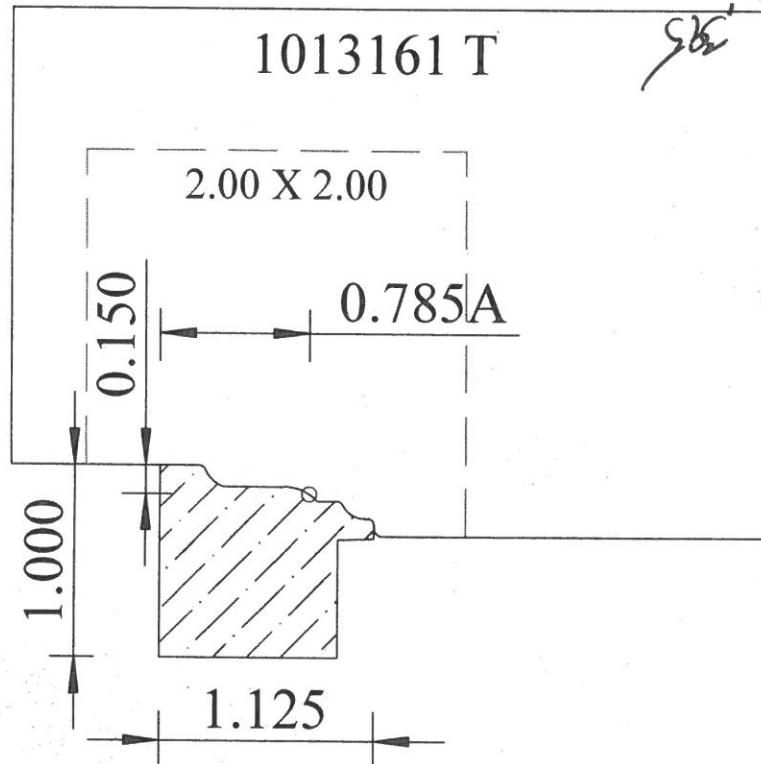
SIGN FOR APPROVALS: X _____ DATE: _____
DRAWN BY: MARIA ALEMAN

THIS DRAWING IS PROPERTY OF WEINIG INC.



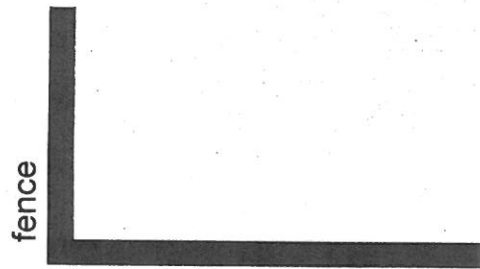
WEINIG

K-69



* note:
Rabbit cut
Done on
TABLE SAW

* Custom for
Chris Koglin



fence

bed

View From Outfeed

THIS DRAWING IS PROPERTY OF WEINIG INC.

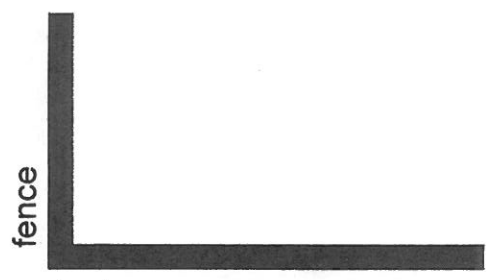
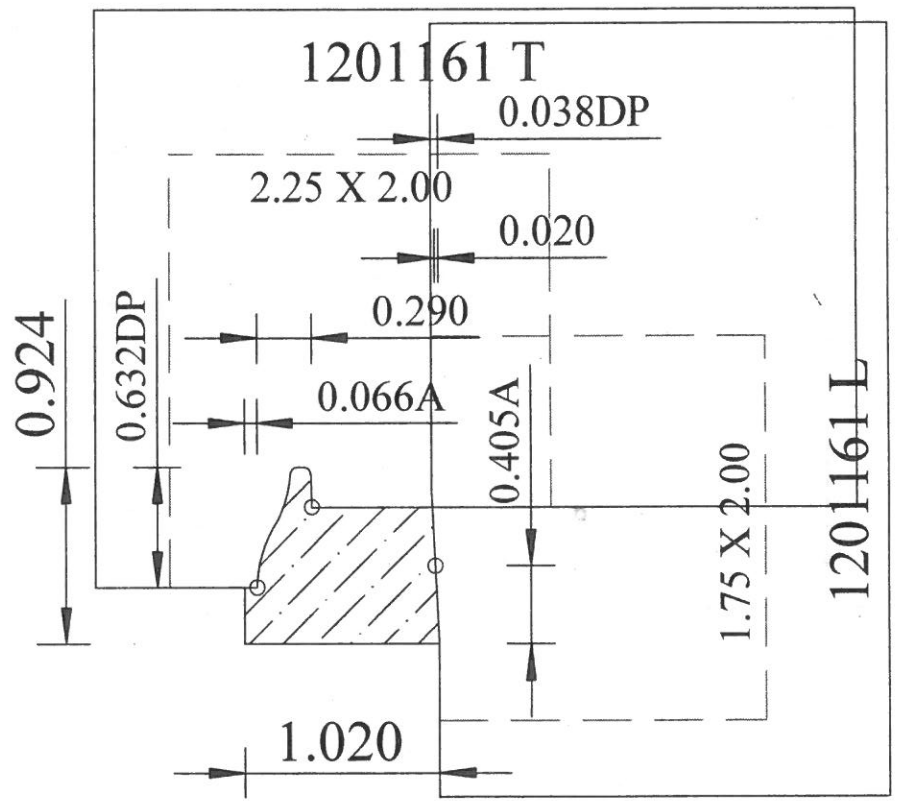
CLIENT NAME: FILLINGER

SIGN FOR APPROVALS: X
DRAWN BY: MARIA ALEMAN

DATE: _____



K-74



fence

bed

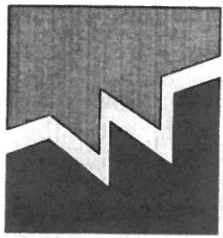
View From Outfeed

* Custom for Bliffert Lumber CO.

THIS DRAWING IS PROPERTY OF WEINIG INC.

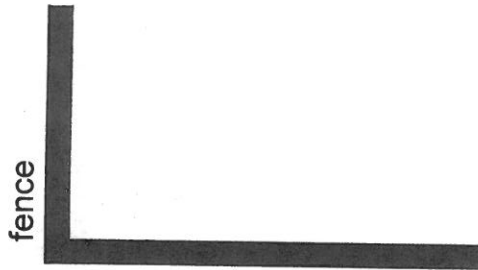
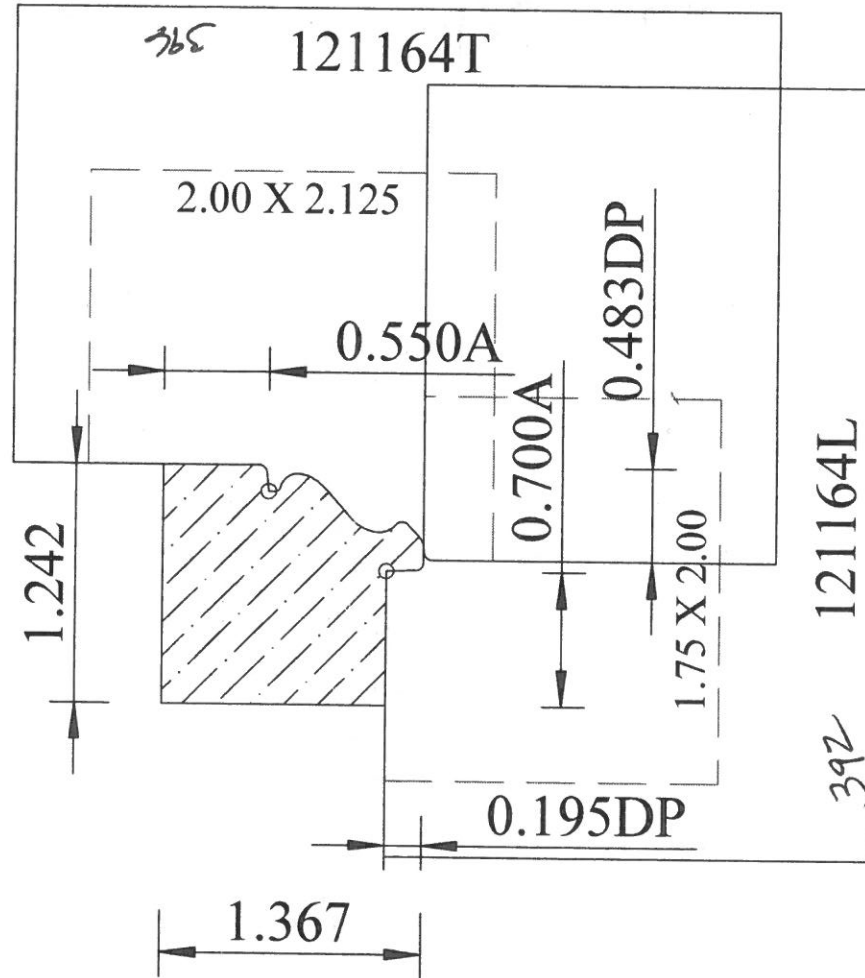
CLIENT NAME: FILLINGER

SIGN FOR APPROVALS: X _____ DATE: _____
DRAWN BY: MARIA ALEMAN



WEINIG

K-92



fence

bed

View From Outfeed

* Custom box
Jim Construction
(Pine Lake)

THIS DRAWING IS PROPERTY OF WEINIG INC.

CLIENT NAME: FILLINGER

SIGN FOR APPROVALS: X
DRAWN BY: MARIA ALEMAN

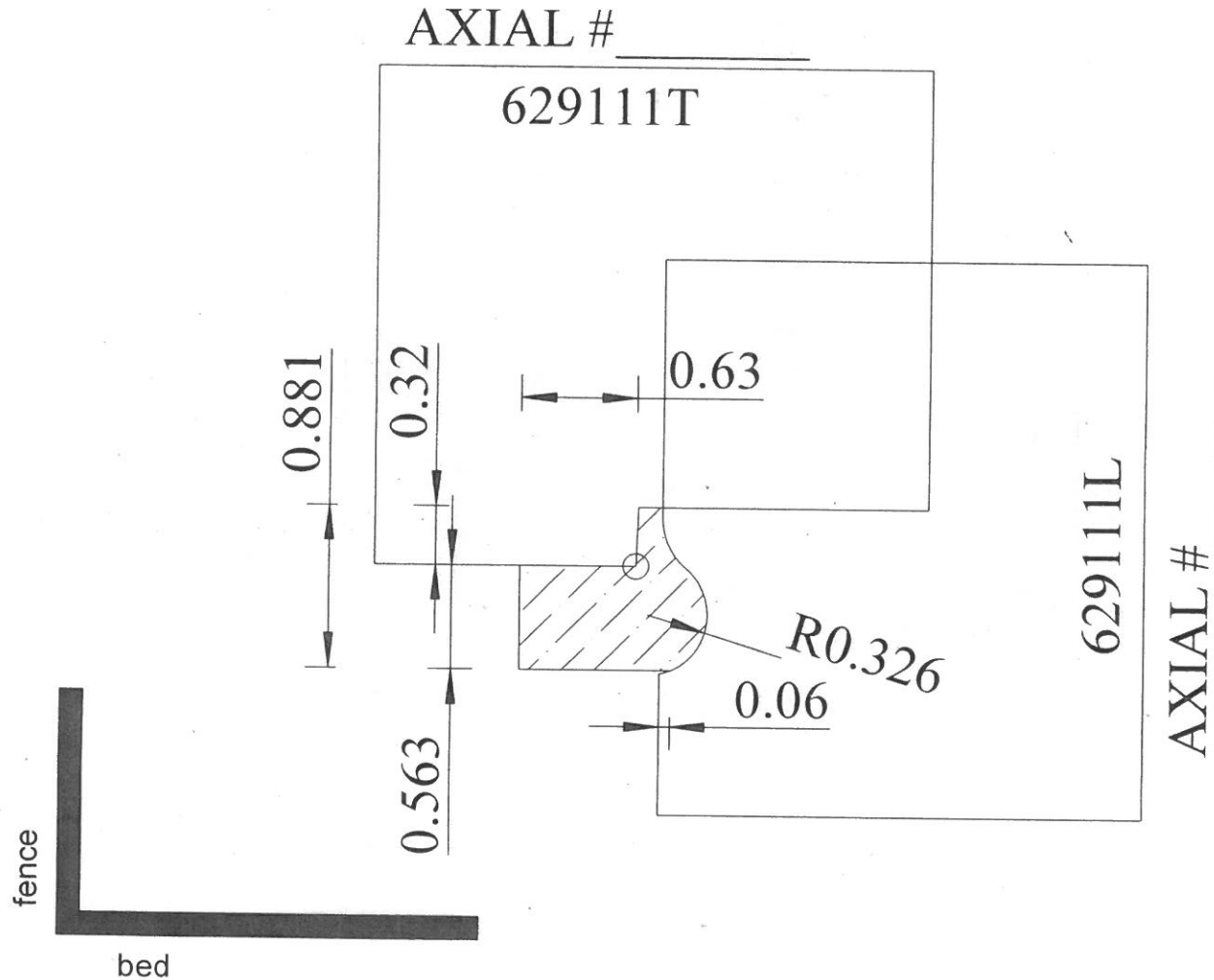
DATE: _____



Services Requested & Material Selection
(circle all that apply)

	Finished	Rough
M3+HSS	Double-Back	Supre
TCT Inlaid	Insert	SRS

R-2
1.045
881



Michael Weing, Inc
124 Crosslake Park Drive
Mooresville, NC 28117

Sign for approval or make changes: X
DRAWN BY: "CHADROE" SLOAN

Thank you