

TW-Risers by Infiltrator are made from glass-reinforced polypropylene, providing superior strength and durability. They come in green or black with a 24" diameter, making them ideal for use with any concrete or plastic tank. The slip-resistant lids are fastened using stainless steel screws and are further secured by indexing structural ribs, which lock the riser into place.

TW-Riser system lids are made from virgin polyethylene, providing strength and increased impact resistance. Slip-resistant lids come with an indexing mechanism locking them into place and can withstand a wheel load comparable to that of a full size pick-up truck. The improved urethane gasket creates a built-in watertight seal.

TW-Risers include a set of indexing structural ribs which lock riser pieces in place to ensure a watertight seal



TW-Series tank lid

SKU 41000 -GRN

6" height riser section

SKU 41002-GRN

12" height riser section

SKU 41004-BLK

18" height riser section

SKU 41006-BLK

24" Adapter Flange

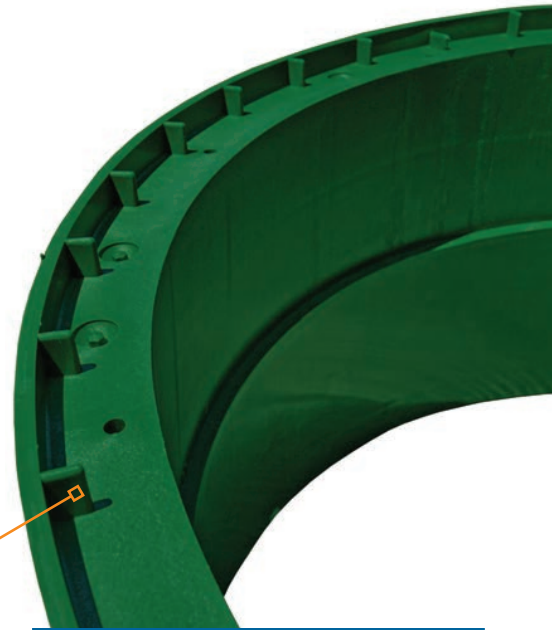
SKU 41008-BLK

SKU 40307-BLK

USE W/ 24" CORR

Infiltrator's Pipe Adapter Ring

Create a watertight connection when using HDPE, IPEX or Ultra Rib pipe with the TW-Series Septic Tanks. The pipe adapter ring has alignment slots, which securely lock onto the alignment tabs located on the reinforcing ring. This provides an ideal connection for long-term watertight performance.



24" RISER SYSTEM

- 24" x 6" Risers (Green)
- 24" x 12" Risers (Green)
- 24" x 18" Risers (Green)
- 24" Lids (Green)

Infiltrator also offers the EZset™ Riser systems which includes 20", 24", and 30" diameter products. Contact Infiltrator Systems for more information.

ACCESSORIES

Adhesive Sealant SKU 41010

Safety Lid System

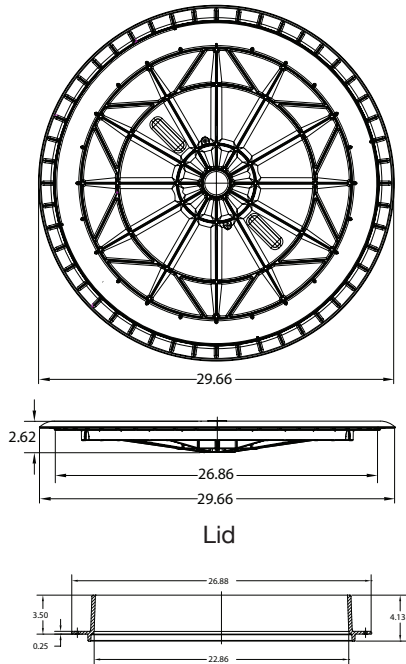
24" Adapter Flange

Bulkhead Fittings

Pipe Adapter Ring

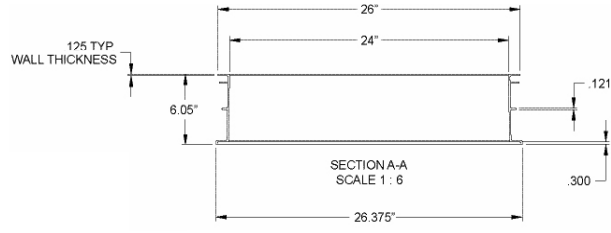


**TW-RISERS
FOR USE WITH
INFILTRATOR
TANKS**

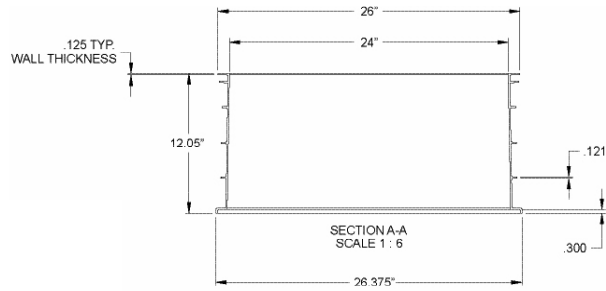


Lid

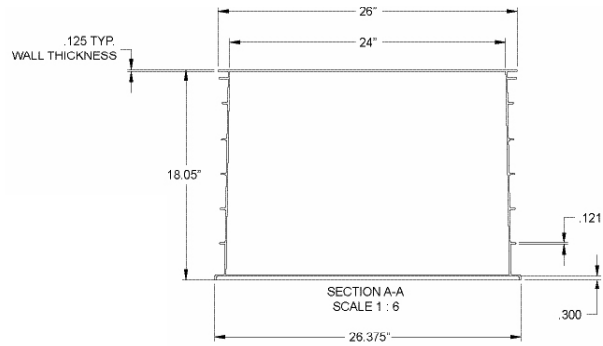
Adapter Flange



24" x 6" Riser Cutaway



24" x 12" Riser Cutaway



24" x 18" Riser Cutaway

Infiltrator Water Technologies, LLC. ("Infiltrator")
TW-Risers by Infiltrator LIMITED WARRANTY
ONE (1) YEAR MATERIALS AND WORKMANSHIP LIMITED WARRANTY

(a) This limited warranty is extended to the end user of an TW-Risers by Infiltrator riser and lid system and other accessories. An TW-Risers system manufactured by Infiltrator, when installed and operated in accordance with Infiltrator's installation instructions and local regulation by a licensed installer, is warranted to you: (i) against defective materials and workmanship for one (1) years after installation. Infiltrator will, at its option, (i) repair the defective product or (ii) replace the defective materials. Infiltrator's liability specifically excludes the cost of removal and/or installation of the TW-Risers system.

(b) In order to exercise its warranty rights, you must notify Infiltrator in writing at its corporate headquarters in Old Saybrook, Connecticut within fifteen (15) days of the alleged defect.

(c) YOUR EXCLUSIVE REMEDY WITH RESPECT TO ANY AND ALL LOSSES OR DAMAGES RESULTING FROM ANY CAUSE WHATSOEVER SHALL BE SPECIFIED IN SUBPARAGRAPH (a) ABOVE. INFILTRATOR SHALL IN NO EVENT BE LIABLE FOR ANY CONSEQUENTIAL OR INCIDENTAL DAMAGES OF ANY KIND, HOWEVER OCCASIONED, WHETHER BY NEGLIGENCE OR OTHERWISE. SOME STATES DO NOT ALLOW THE EXCLUSION OR LIMITATION OF INCIDENTAL OR CONSEQUENTIAL DAMAGES, SO THIS LIMITATION OR EXCLUSION MAY NOT APPLY TO YOU. THIS WARRANTY GIVES YOU SPECIFIC LEGAL RIGHTS AND YOU MAY ALSO HAVE OTHER RIGHTS WHICH VARY FROM STATE TO STATE.

(d) THIS LIMITED WARRANTY IS THE EXCLUSIVE WARRANTY GIVEN BY INFILTRATOR AND SUPERSEDES ANY PRIOR, CONTRARY, ADDITIONAL, OR SUBSEQUENT REPRESENTATIONS, WHETHER ORAL OR WRITTEN. INFILTRATOR DISCLAIMS AND EXCLUDES TO THE GREATEST EXTENT ALLOWED BY LAW ALL OTHER WARRANTIES, WHETHER EXPRESS OR IMPLIED, OR STATUTORY, INCLUDING ANY WARRANTY OF MERCHANTABILITY, FINESSE FOR A PARTICULAR PURPOSE AND ANY IMPLIED WARRANTIES OTHERWISE ARISING FROM COURSE OF DEALING, COURSE OF PERFORMANCE, OR USAGE OF TRADE. NO PERSON (INCLUDING ANY EMPLOYEE, AGENT, DEALER, OR REPRESENTATIVE) IS AUTHORIZED TO MAKE ANY REPRESENTATION OR WARRANTY CONCERNING THIS PRODUCT, EXCEPT TO REFER YOU TO THIS LIMITED WARRANTY. EXCEPT AS EXPRESSLY SET FORTH HEREIN, THIS WARRANTY IS NOT A WARRANTY OF FUTURE PERFORMANCE, BUT ONLY A WARRANTY TO REPAIR OR REPLACE.

(e) YOU MAY ASSIGN THIS LIMITED WARRANTY TO A SUBSEQUENT PURCHASER OF YOUR HOME.

(f) NO REPRESENTATIVE OF INFILTRATOR HAS THE AUTHORITY TO CHANGE THIS LIMITED WARRANTY IN ANY MANNER WHATSOEVER, OR TO EXTEND THIS LIMITED WARRANTY.

CONDITIONS AND EXCLUSIONS

There are certain conditions or applications over which Infiltrator has no control. Defects or problems as a result of such conditions or applications are not the responsibility of Infiltrator and are NOT covered under this warranty. They include failure to install the TW-Risers system in accordance with instructions or applicable regulatory requirements or guidance, altering the TW-Risers system contrary to the installation instructions and disposing of chemicals or other materials contrary to normal TW-Risers system usage.

The above represents the Standard Limited Warranty offered by Infiltrator. A limited number of states and counties have different warranty requirements. Any purchaser of an TW-Risers system should contact Infiltrator's corporate headquarters in Old Saybrook, Connecticut, prior to such purchase to obtain a copy of the applicable warranty, and should carefully read that warranty prior to the purchase of an TW-Risers system.



4 Business Park Road
P.O. Box 768
Old Saybrook, CT 06475
860-577-7000 • Fax 860-577-7001
1-800-221-4436
www.infiltratorwater.com

U.S. Patents: 4,759,661; 5,017,041; 5,156,488; 5,336,017; 5,401,116; 5,401,459; 5,511,903; 5,716,163; 5,588,778; 5,839,844 Canadian Patents: 1,329,959; 2,004,564 Other patents pending. Infiltrator, Equalizer, Quick4, and SideWinder are registered trademarks of Infiltrator Water Technologies. Infiltrator is a registered trademark in France. Infiltrator Water Technologies is a registered trademark in Mexico. Contour, MicroLeaching, PolyTuff, ChamberSpacer, MultiPort, PosiLock, QuickCut, QuickPlay, SnapLock and StraightLock are trademarks of Infiltrator Water Technologies. PolyLok is a trademark of PolyLok, Inc. TUF-TITE is a registered trademark of TUF-TITE, INC. Ultra-Rib is a trademark of IPEX Inc.

© 2014 Infiltrator Water Technologies, LLC. All rights reserved. Printed in U.S.A.

TWR01 0414ISI

Contact Infiltrator Water Technologies' Technical Services Department for assistance at 1-800-221-4436